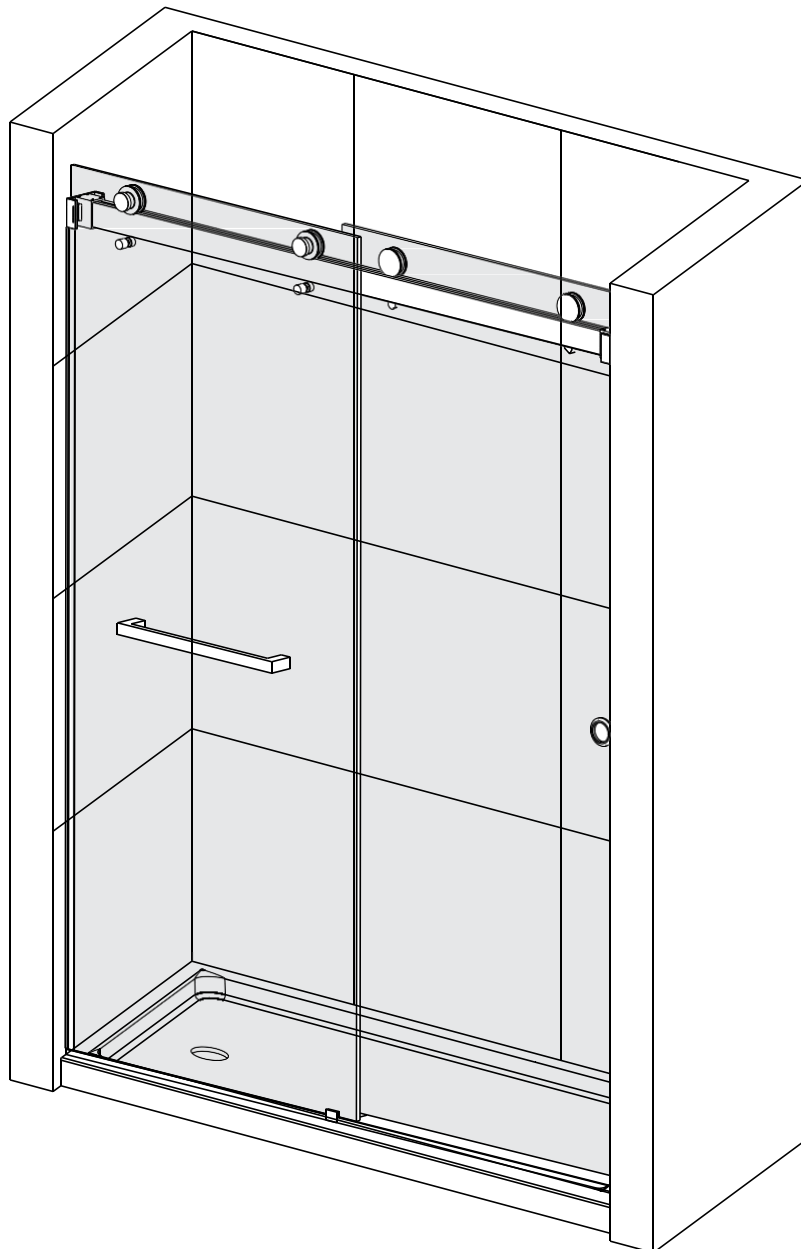




INSTRUCTION MANUAL



2 PEOPLE REQUIRED

Please keep this manual and product code number for future reference and for ordering replacement parts if necessary.

GENERAL INSTRUCTIONS

Read this manual carefully and completely before proceeding.

- It is recommended that you wear safety glasses at all times during the installation.

INSTALLATION OVER CERAMIC TILES

If your shower door is to be installed over ceramic tiles, the tiles should lay completely under the wall jamb. Silicone

- should be used to seal the gap where the ceramic tiles meet the fixed panel.

NOTICE

- Caulking: no sealant is required inside the shower, unless otherwise stated.
- Some models are equipped with clear sealing gaskets.

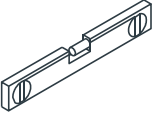
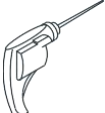


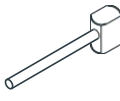

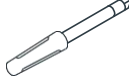
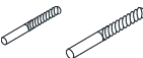
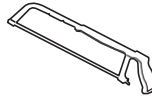

CARE FOR YOUR SHOWER DOOR

Never use scouring powder pads or sharp instruments on metal pieces or glass panels.

An occasional wiping down with a mild soap diluted in water is all that is needed to keep the panels and metal parts looking new.

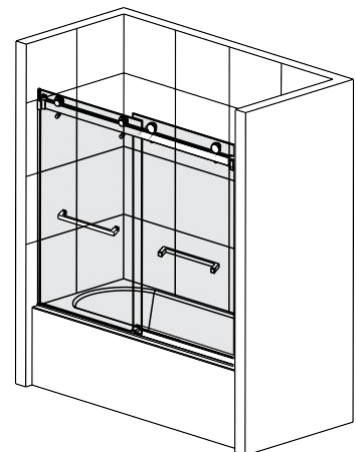
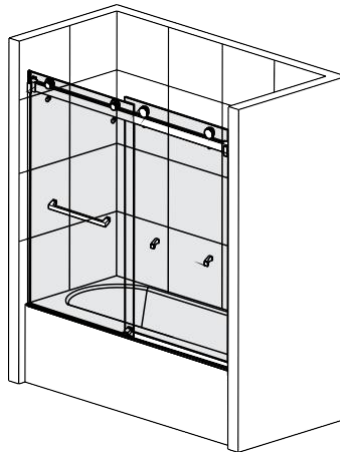
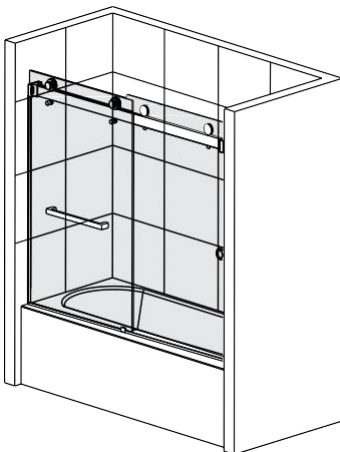
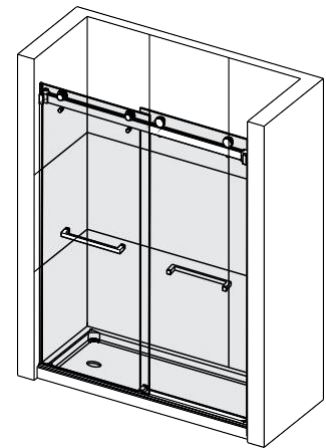
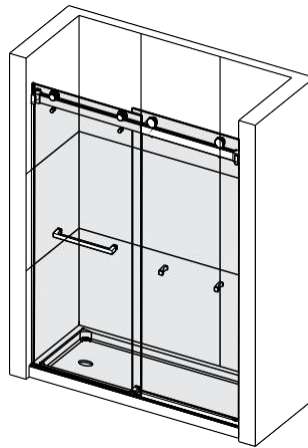
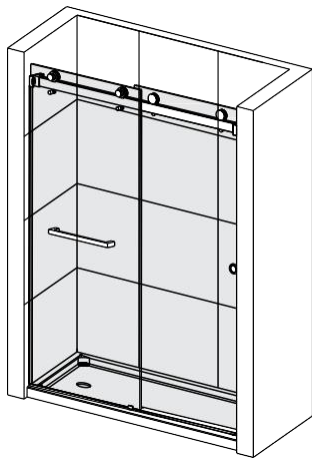
- We recommend wiping the glass panels with a squeegee after each use.

TOOLS REQUIRED

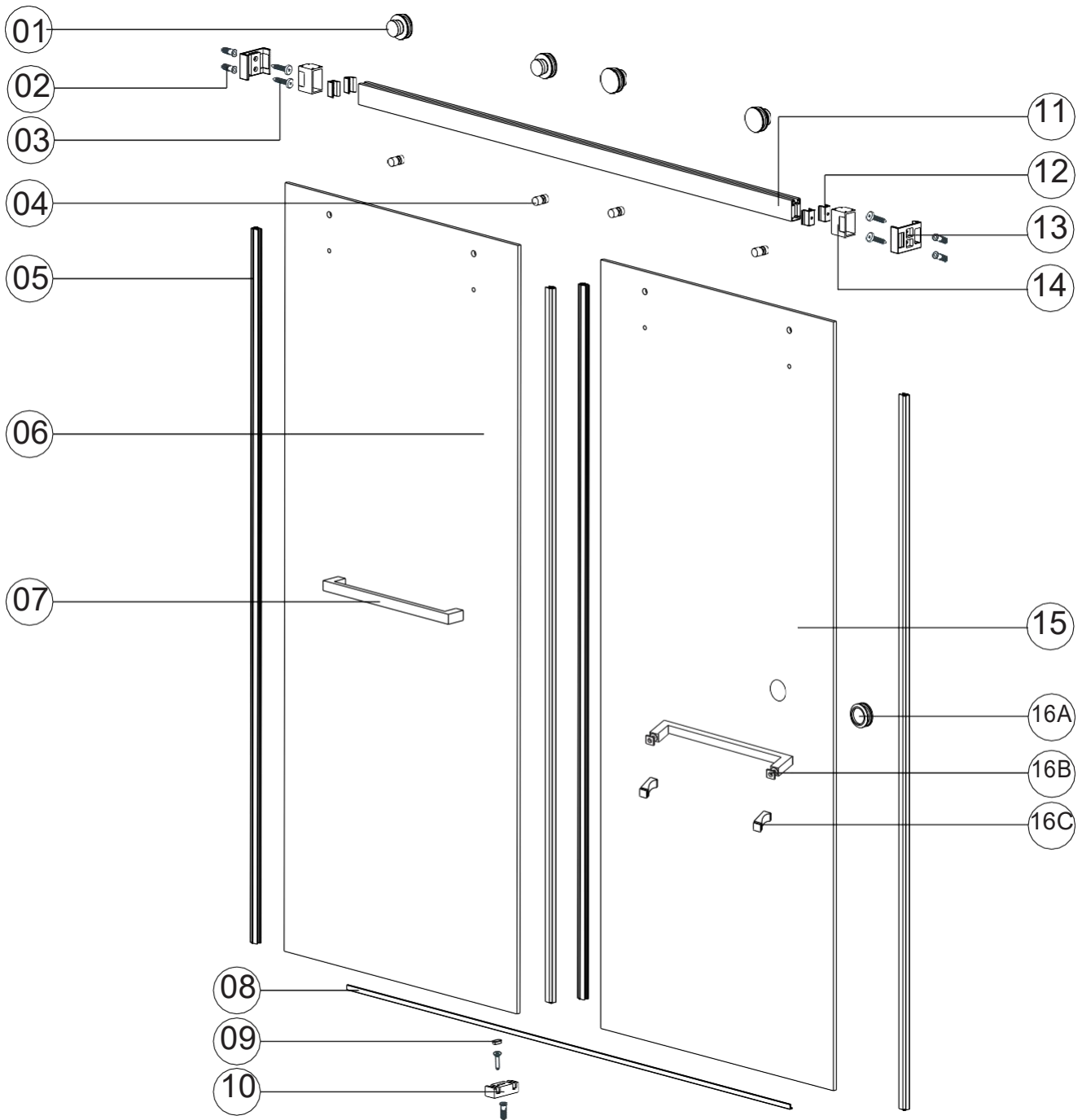
 SPIRIT LEVEL	 POWER DRILL	 PENCIL	 SILICONE	 MALLET
 TAPE MEASURE	 SCREW DRIVER	 6mm&3mm(1/4" & 1/8") DRILL BITS	 HACKSAW	 SAFETY GLASSES



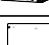




* Use a 6mm(1/4") drill bit for ceramic when drilling into ceramic tiles

CHOOSE A CONFIGURATION

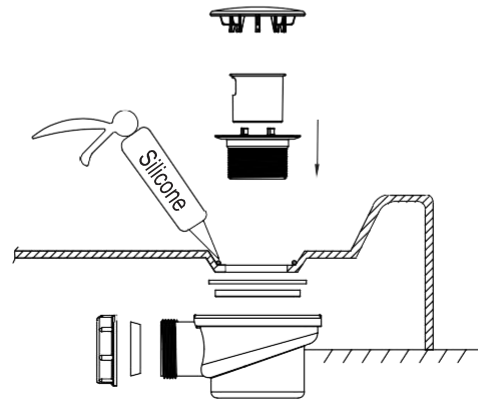
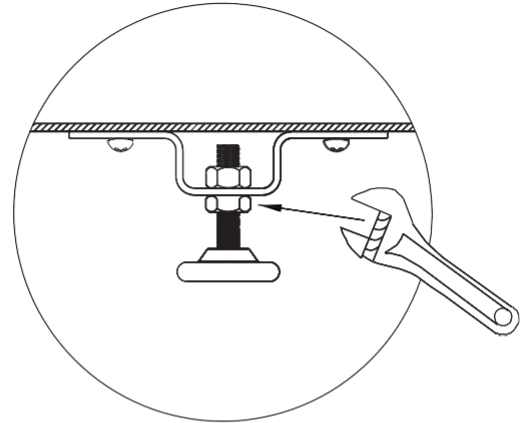
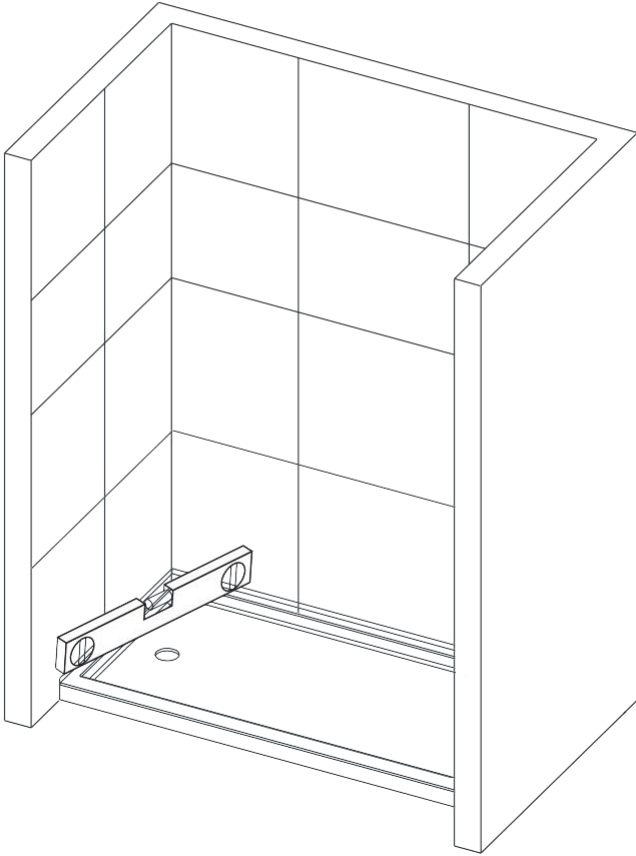


PARTS LISTING



ITEM	PARTS	DIAGRAM	QTY	ITEM	PARTS	DIAGRAM	QTY
1	Roller		4	10	Floor guide		1
2	Wall plugs Ø6		5	11	Rail		1
3	Screw St4x30		5	12	Anti-collision block		4
4	Anti jumping knob		4	13	Wall mount bracket		2
5	Door seal		4	14	Guide rail bracket		2
6	Sliding door		1	15	Sliding door		1
7	Towel bar		1	16A	Finger pull knob		1
8	Anti-splash threshold		1	16B	Towel bar		1
9	Floor guide cover cap		1	16C	Point Handle		2

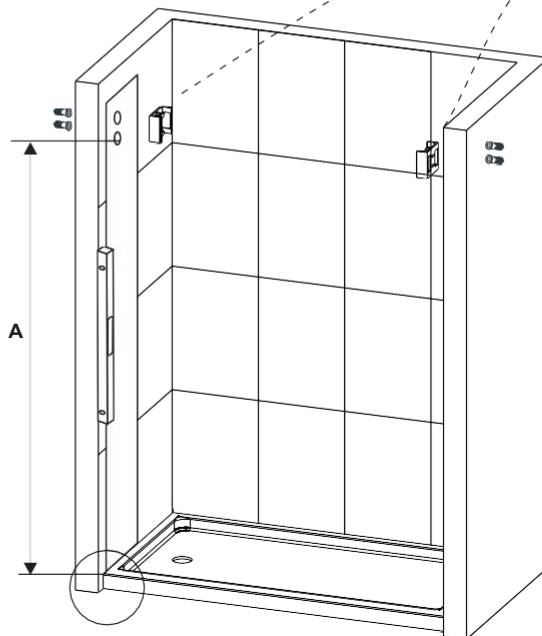
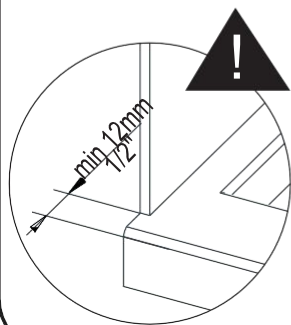
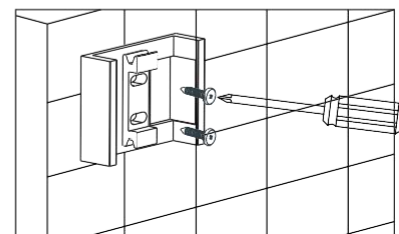
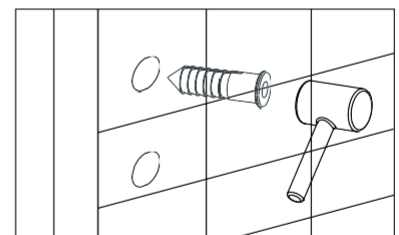
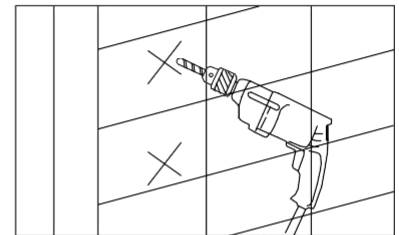
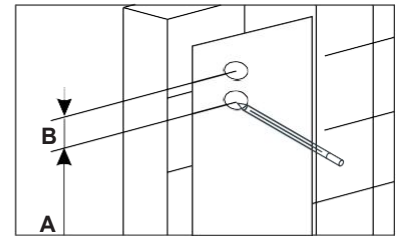
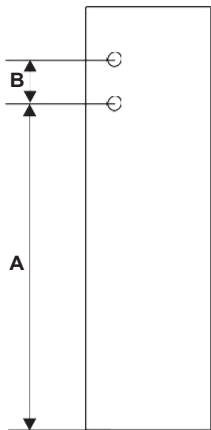
1



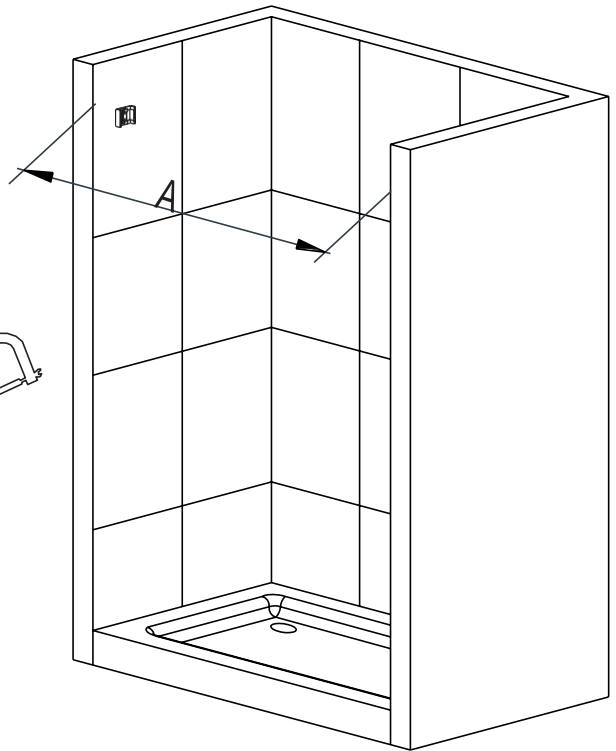
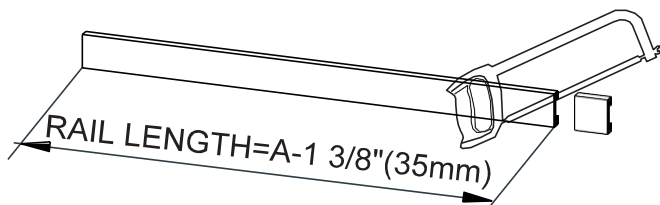
2

Product Height	A	B
60"(1524mm)	55 1/2"(1411mm)	7/8"(22mm)
66"(1676mm)	61 1/2"(1563mm)	
72"(1828mm)	67 1/2"(1716mm)	
75"(1905mm)	70 1/2"(1792mm)	
76"(1930mm)	71 1/2"(1817mm)	
78"(1981mm)	73 1/2"(1868mm)	
79"(2006mm)	74 1/2"(1894mm)	

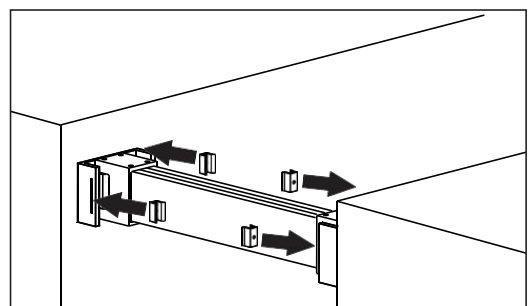
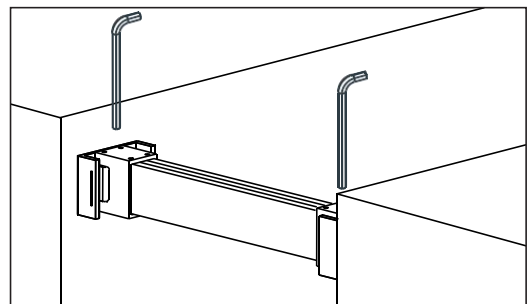
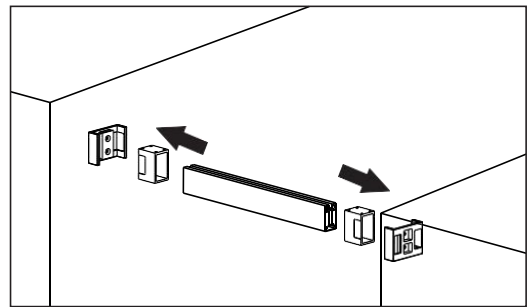
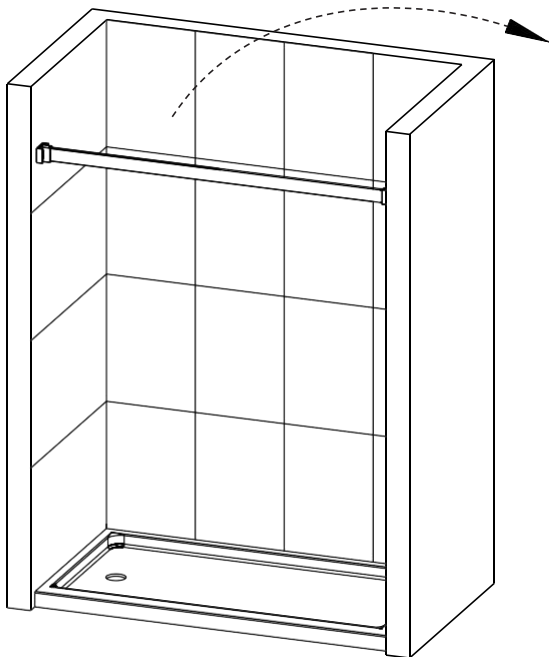
*A=product height-4 1/2"(113mm)
 *Without the size, please contact the local dealer.



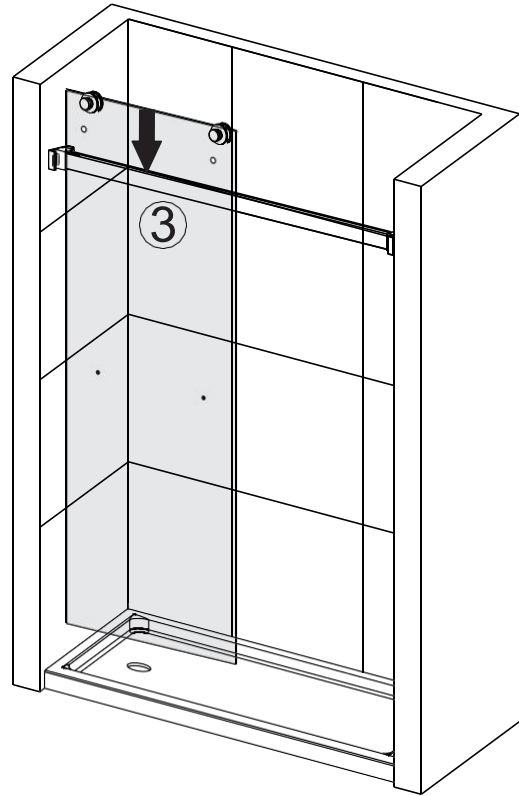
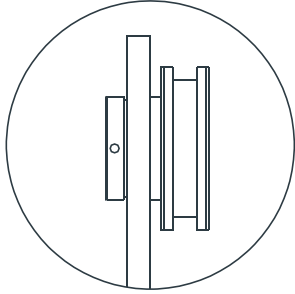
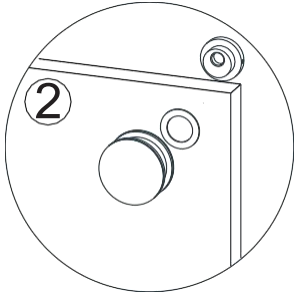
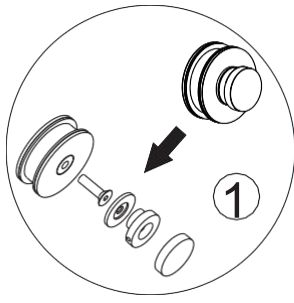
3



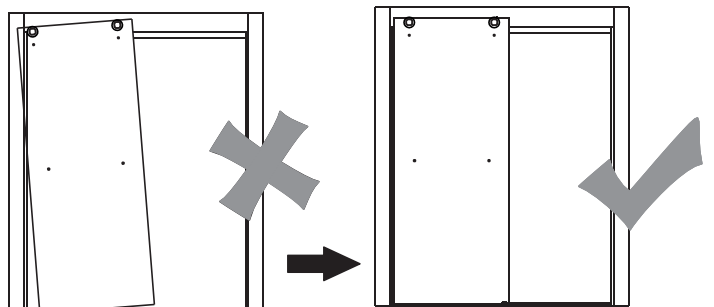
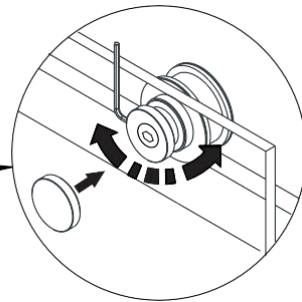
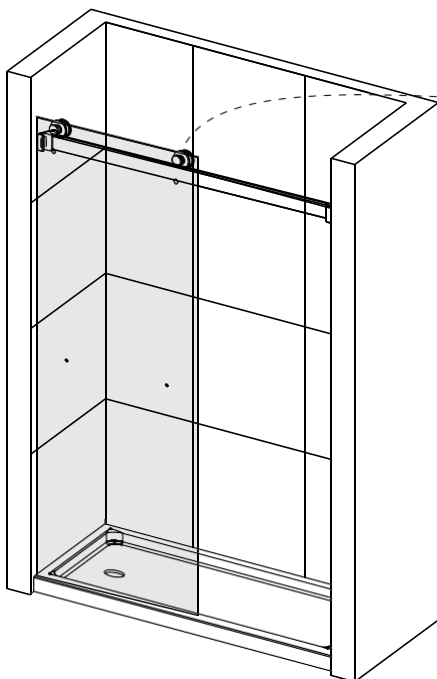
4



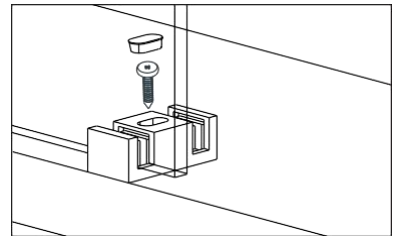
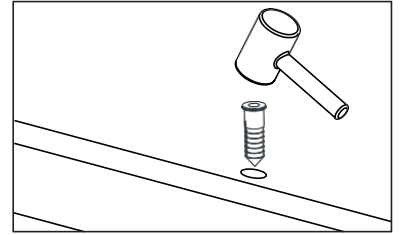
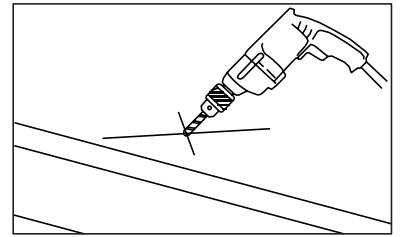
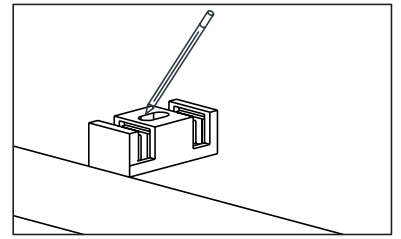
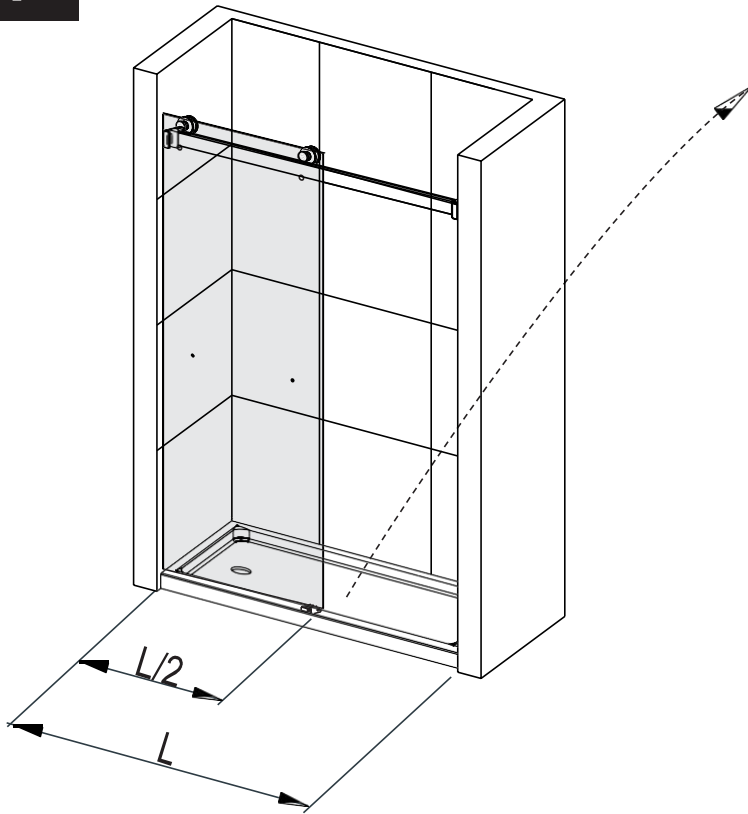
5



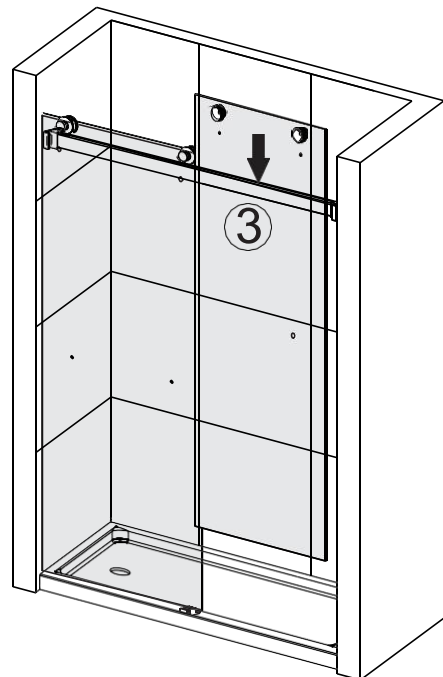
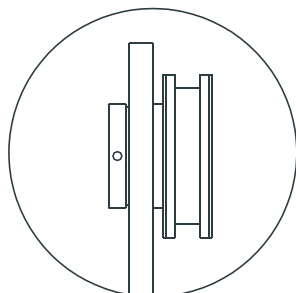
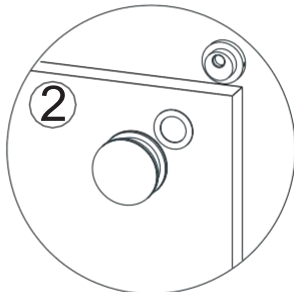
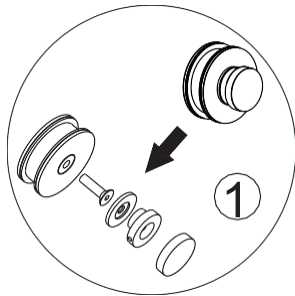
6



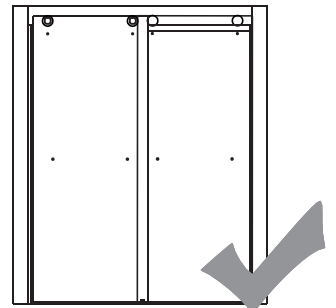
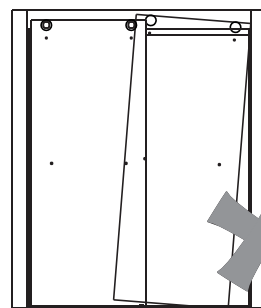
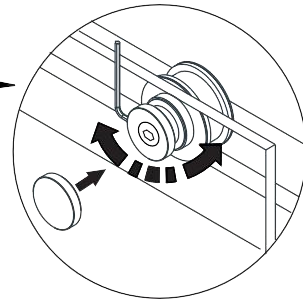
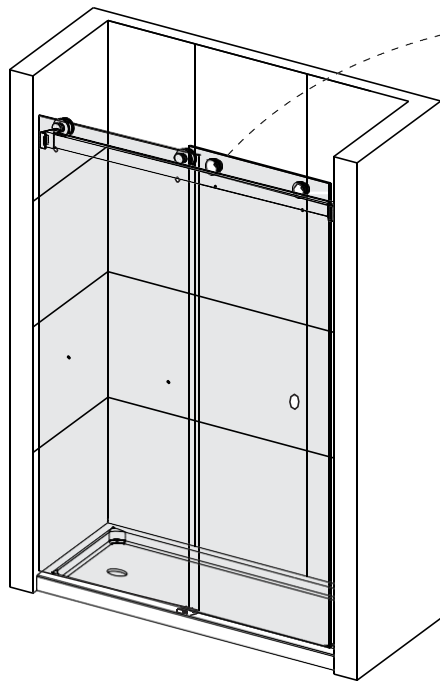
7



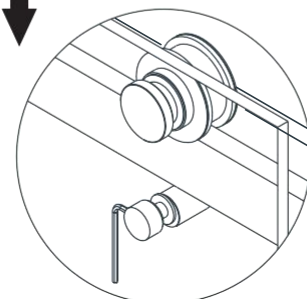
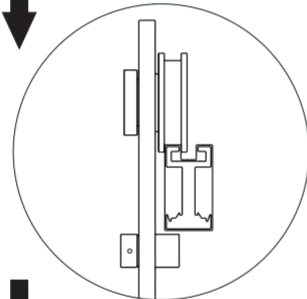
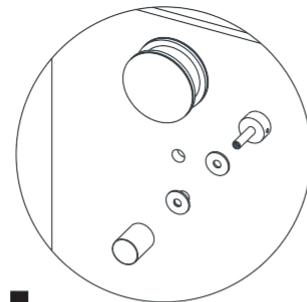
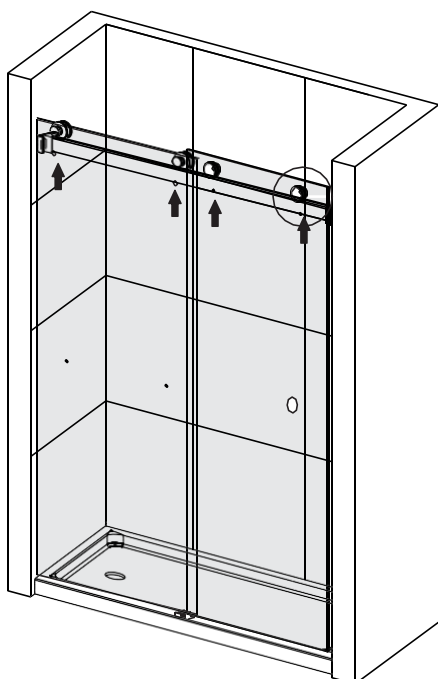
8



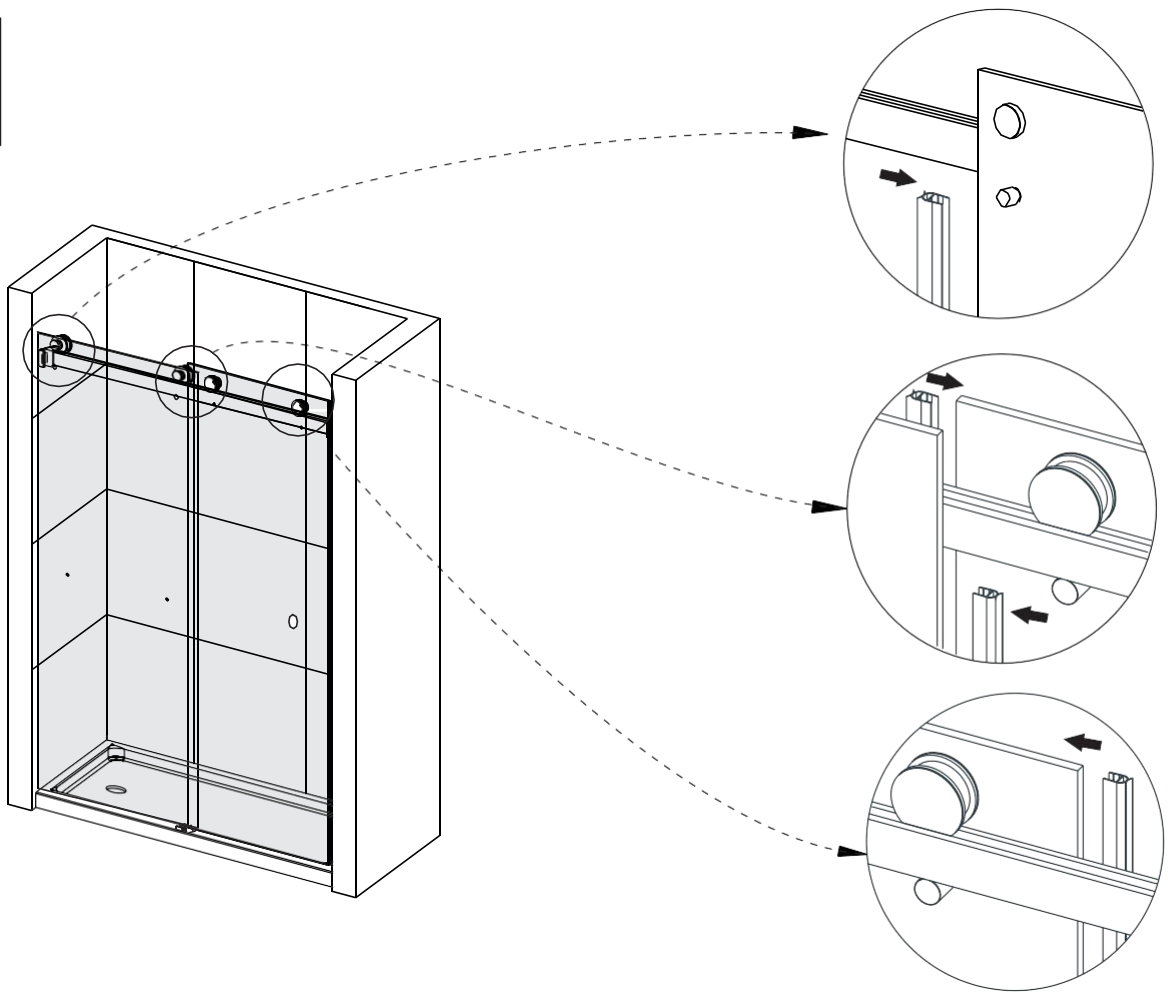
9



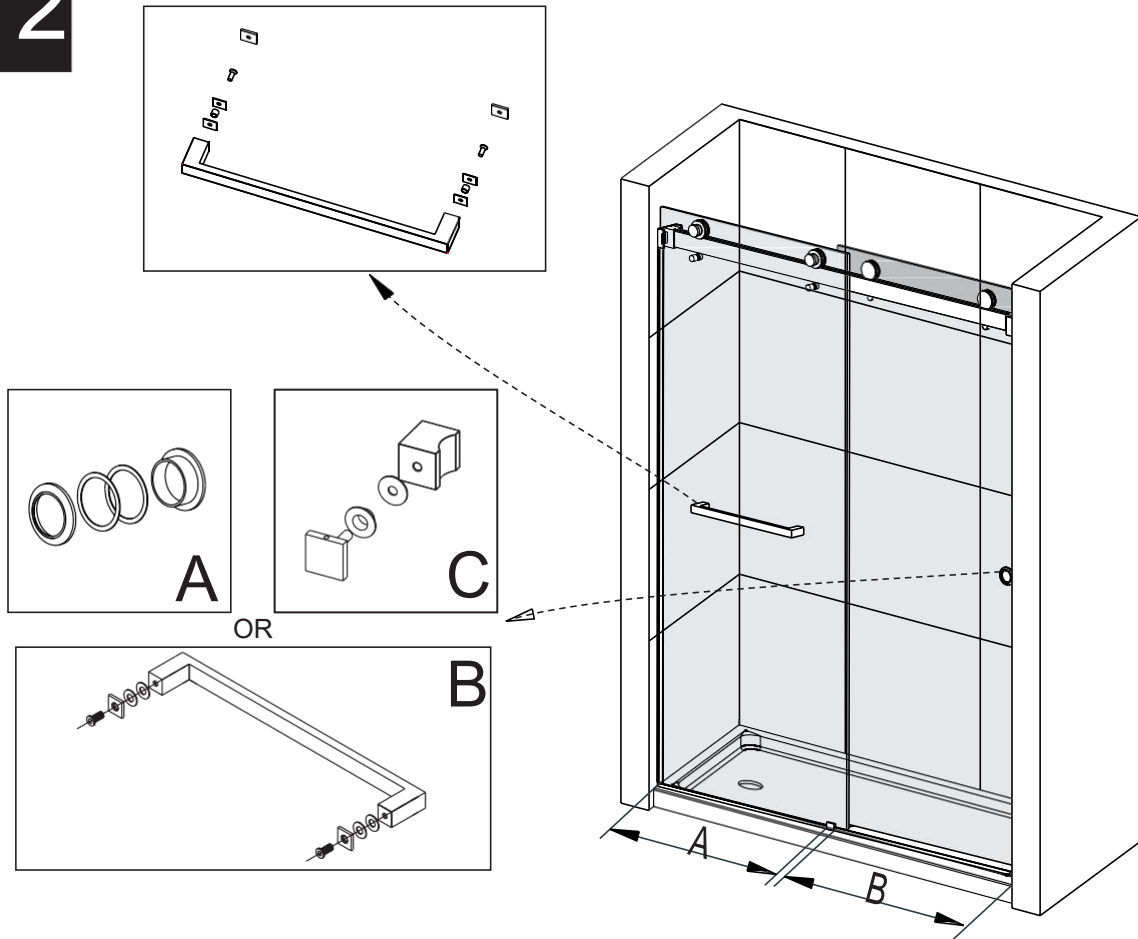
10



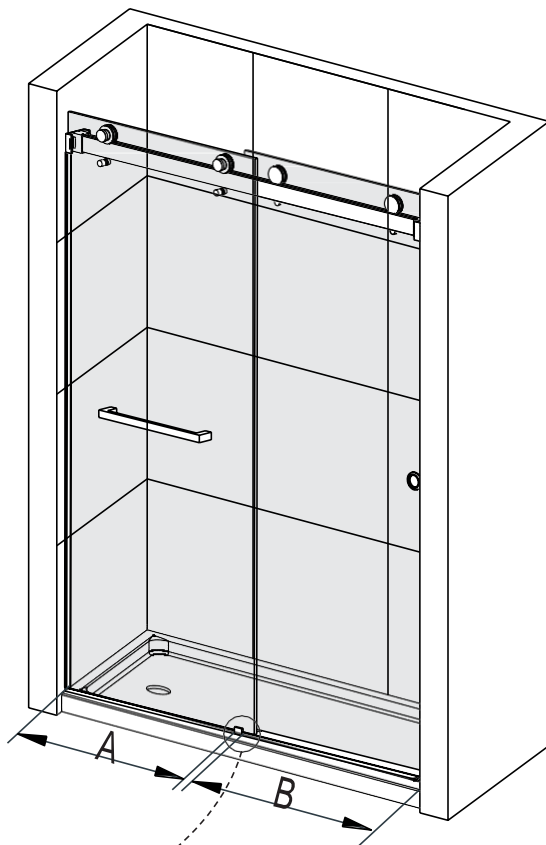
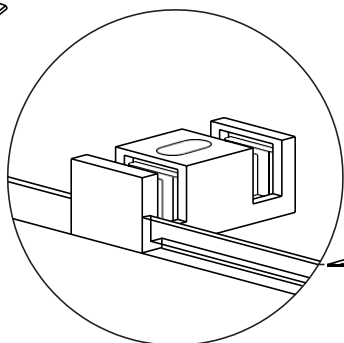
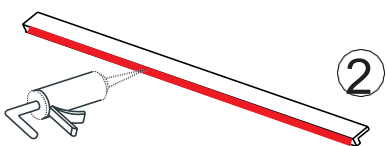
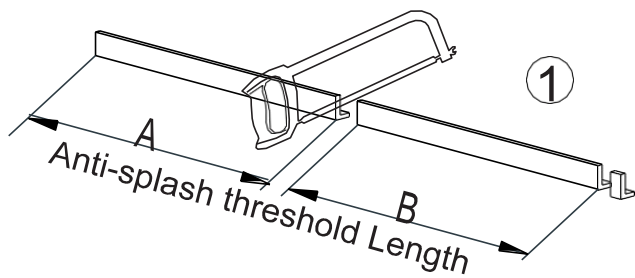
11



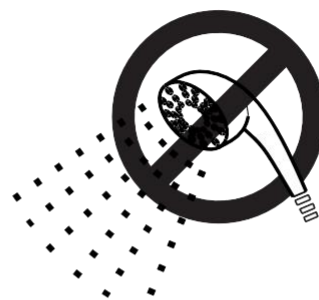
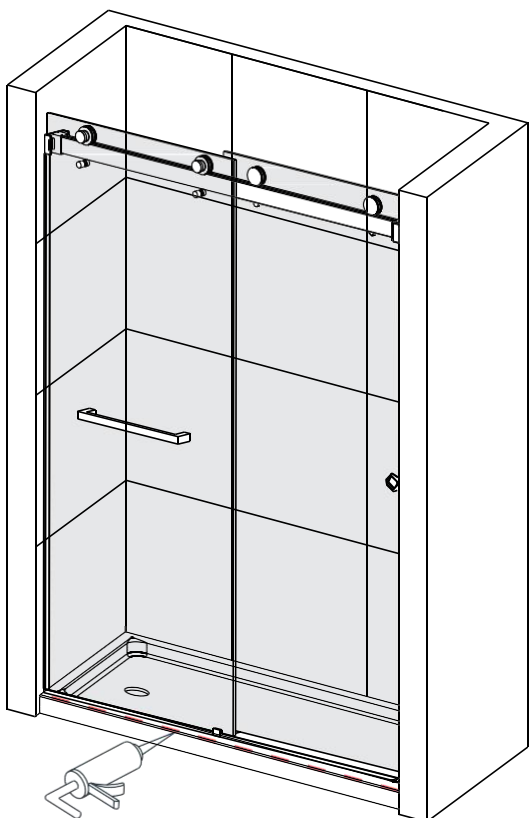
12



13



14



24 HOURS