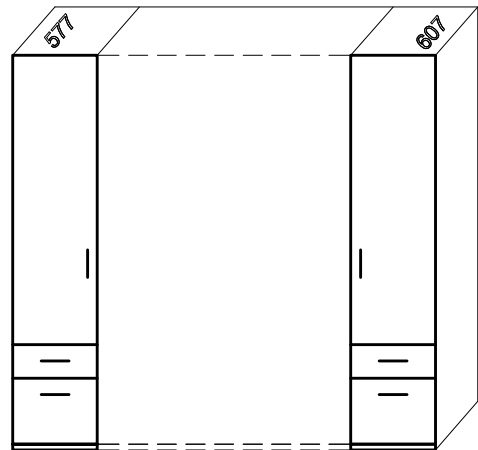
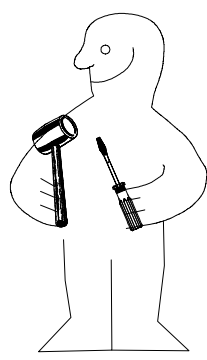
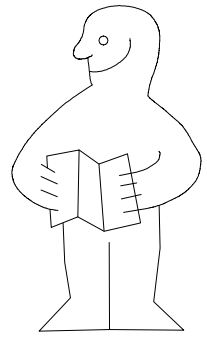
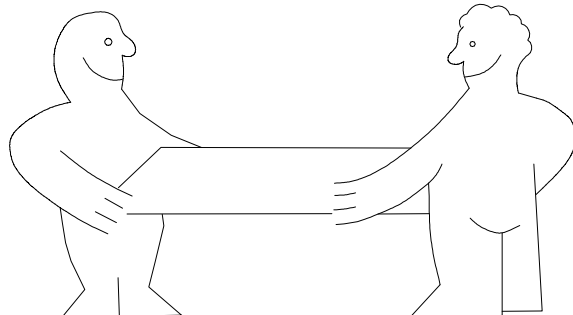
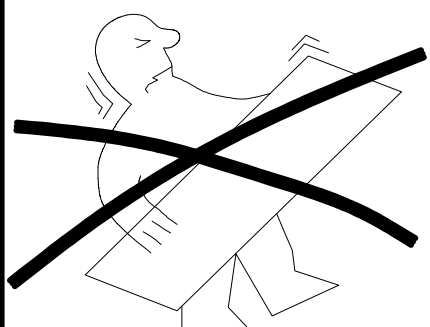


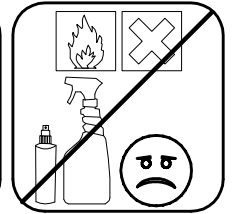
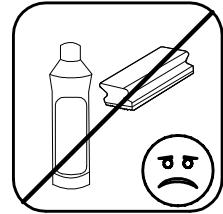
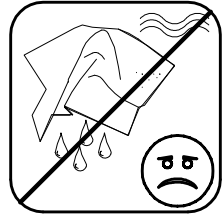
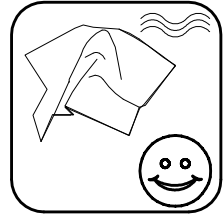
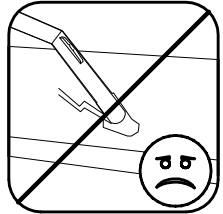
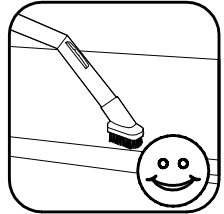
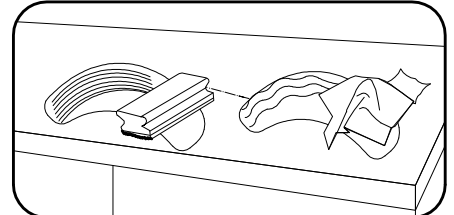
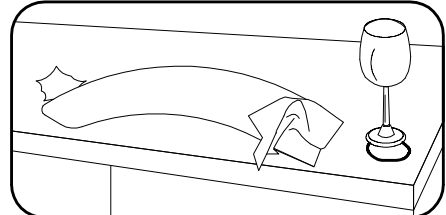
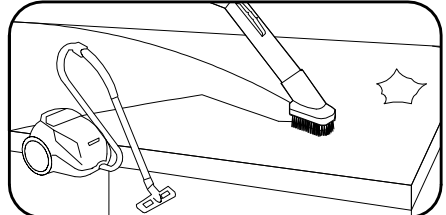
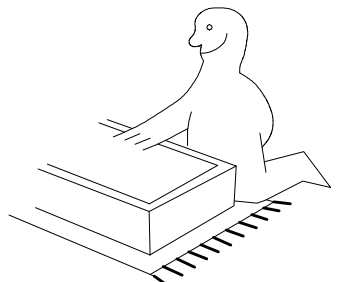
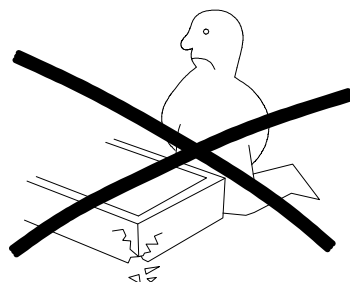
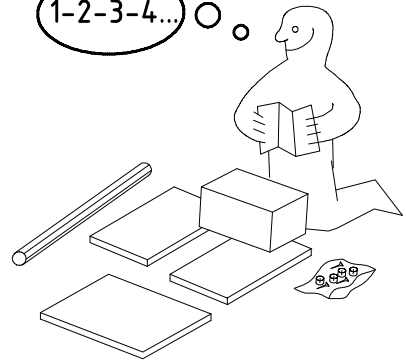
980334



NSP 2x43 Kst



1-2-3-4...



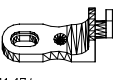

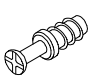


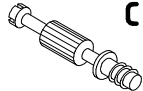
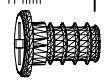
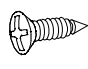


980334

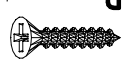
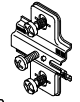
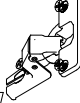

26.04.16 / -



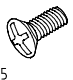

04 16

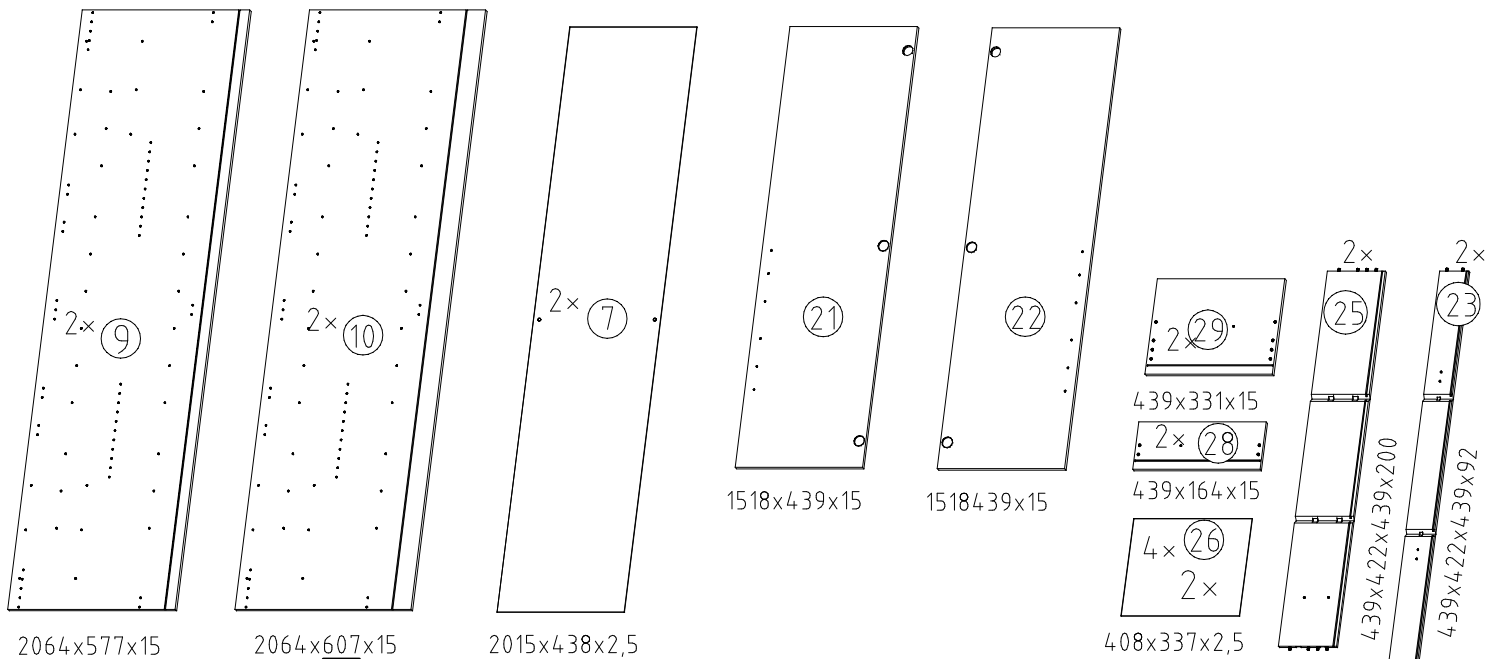
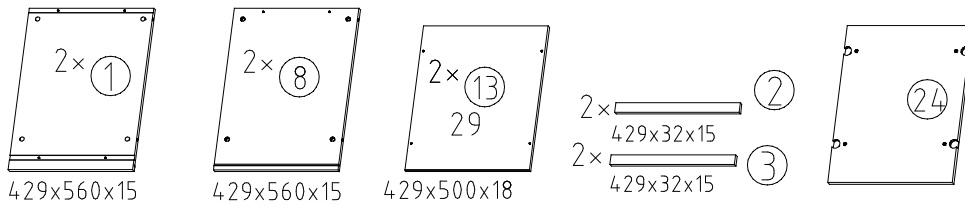
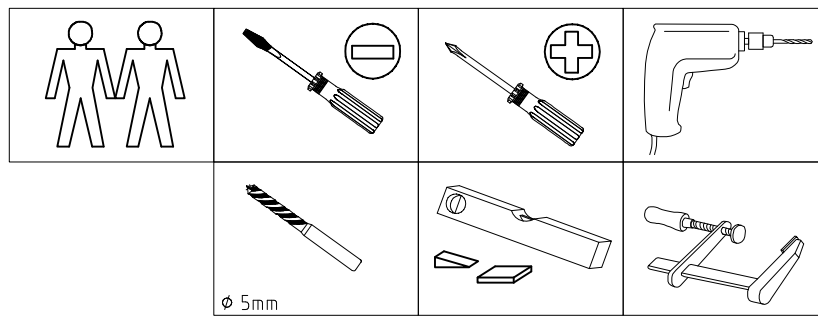
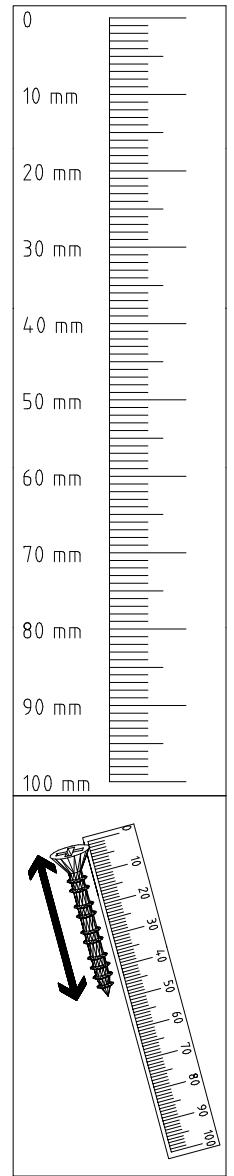
1/10

 111 102	A 16x
 111 610	L7 8x
 111 174	J1 4x
 111 001	K1 4x
 111 229	F 8x

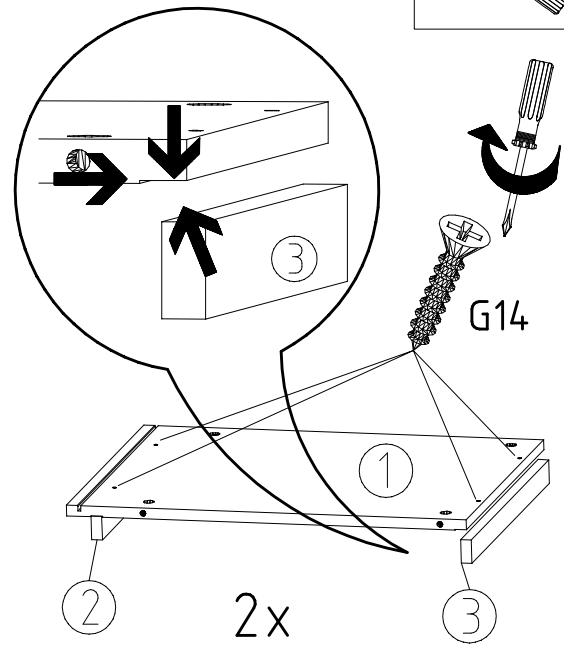
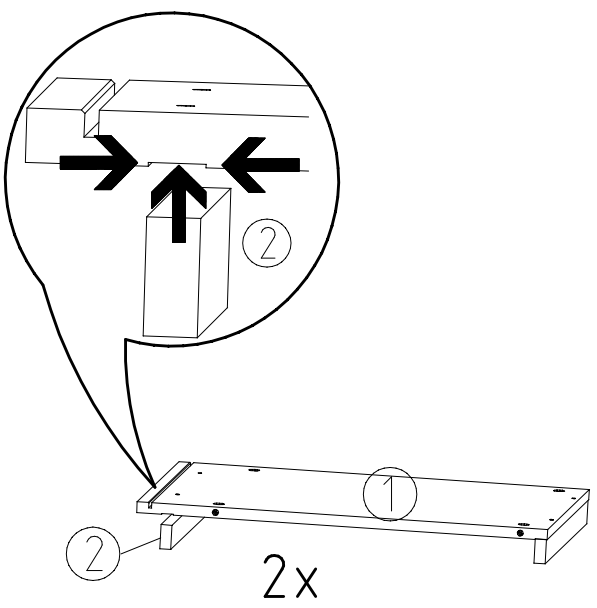
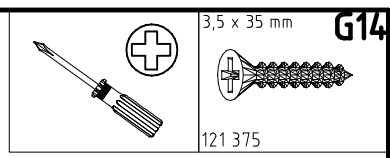
 111 103	C 16x
 121 181	T6 4x
 121 370	G1 8x
 111 252	K21 2x
 111 252	VB23 8x

 121 375	G14 8x
 112 268	M 6x
 112 267	N 6x
 122620	SP27 10x

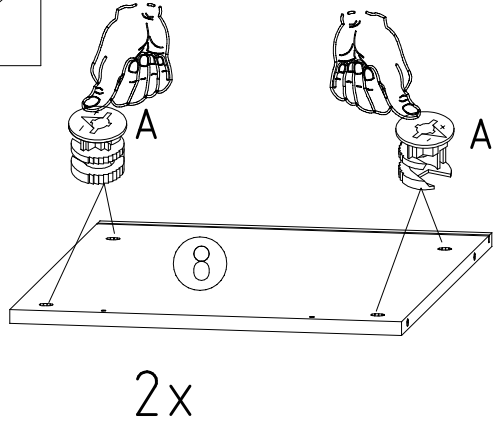
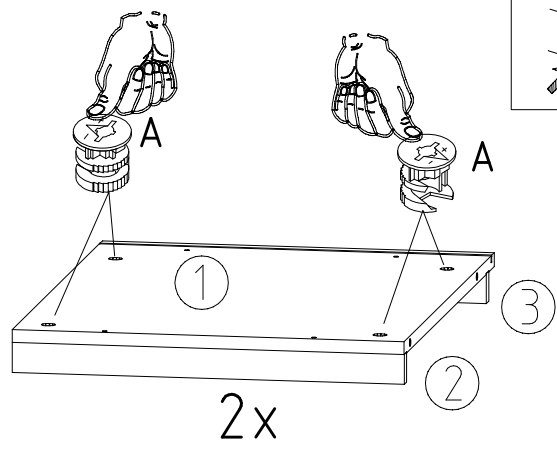
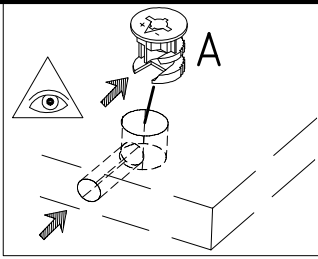
 112 190	Y20 8x
 112 616	T3 16x
 111 015	G8 8x
 163 007	Z 2x



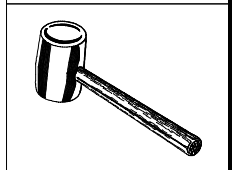
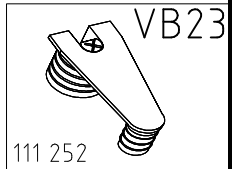
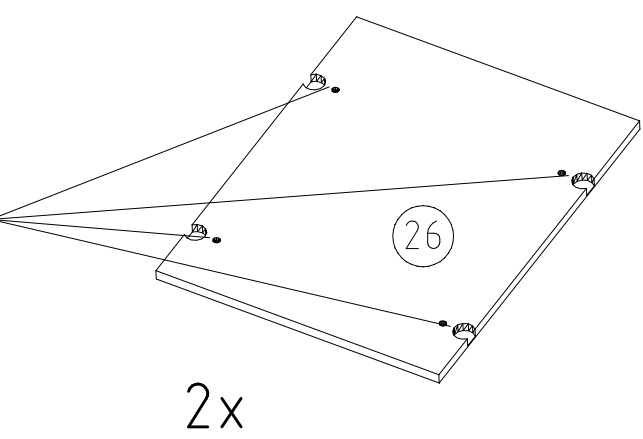
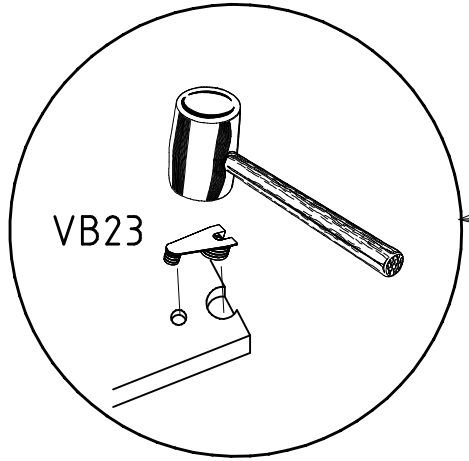
1



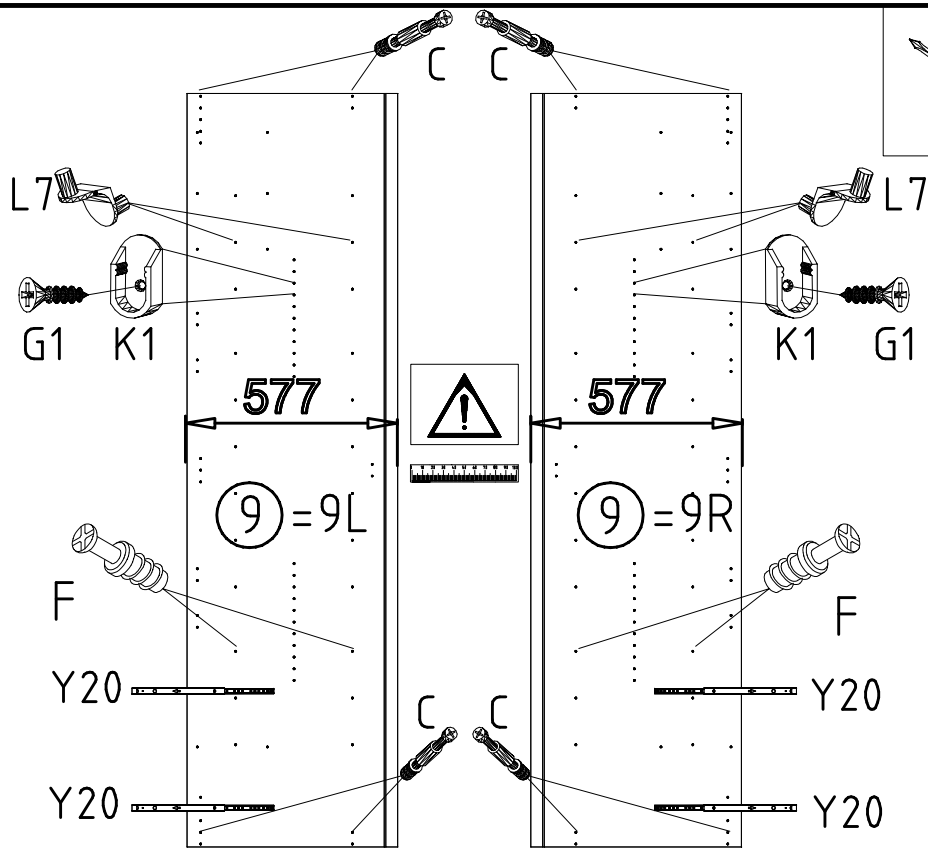
2



3

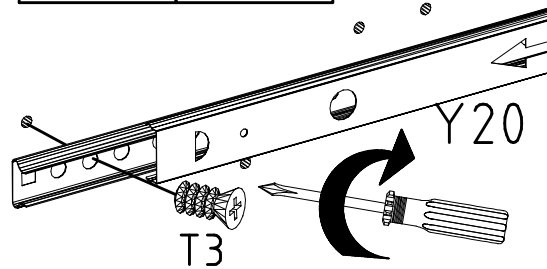
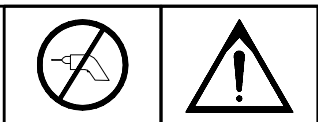


4

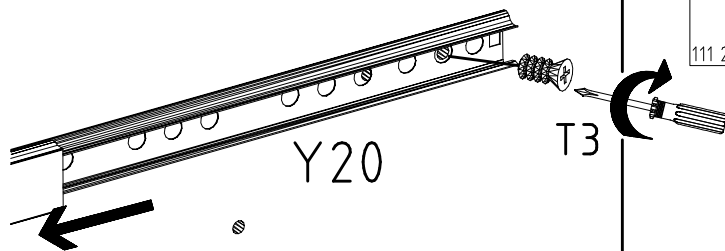


		L7
	111 610	
	3,5 x 15 mm	G1
	121 370	
		C
	111 103	
		K1
	117 001	
		Y20
	112 190	
	M6 x 10	T3
	112 616	
		F
	111 229	

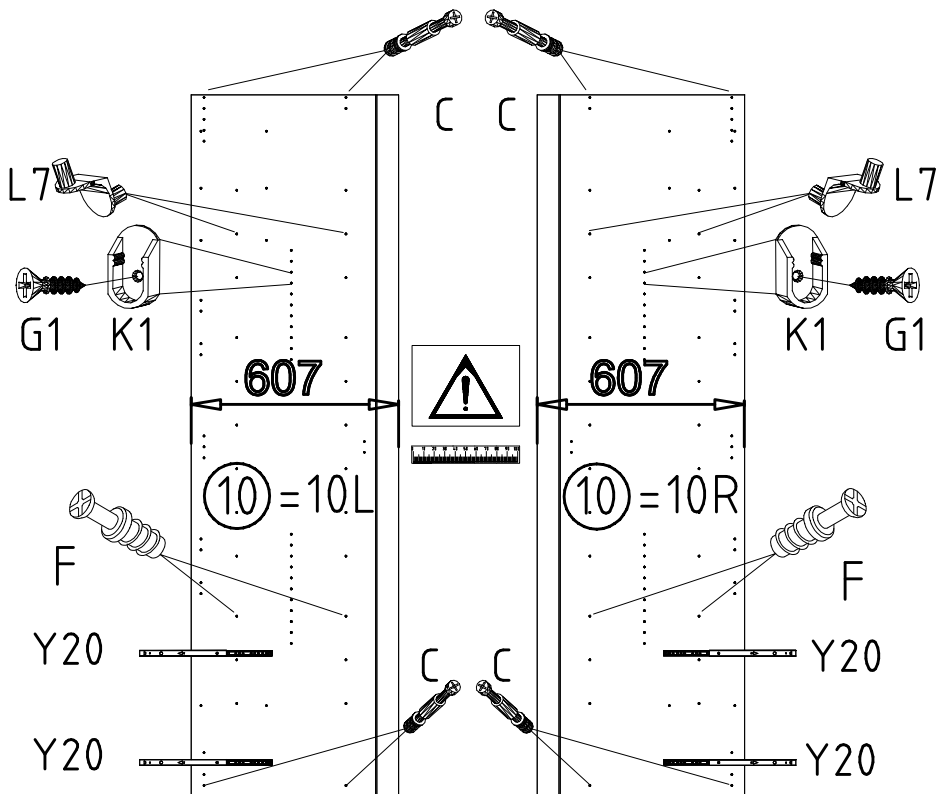
1.

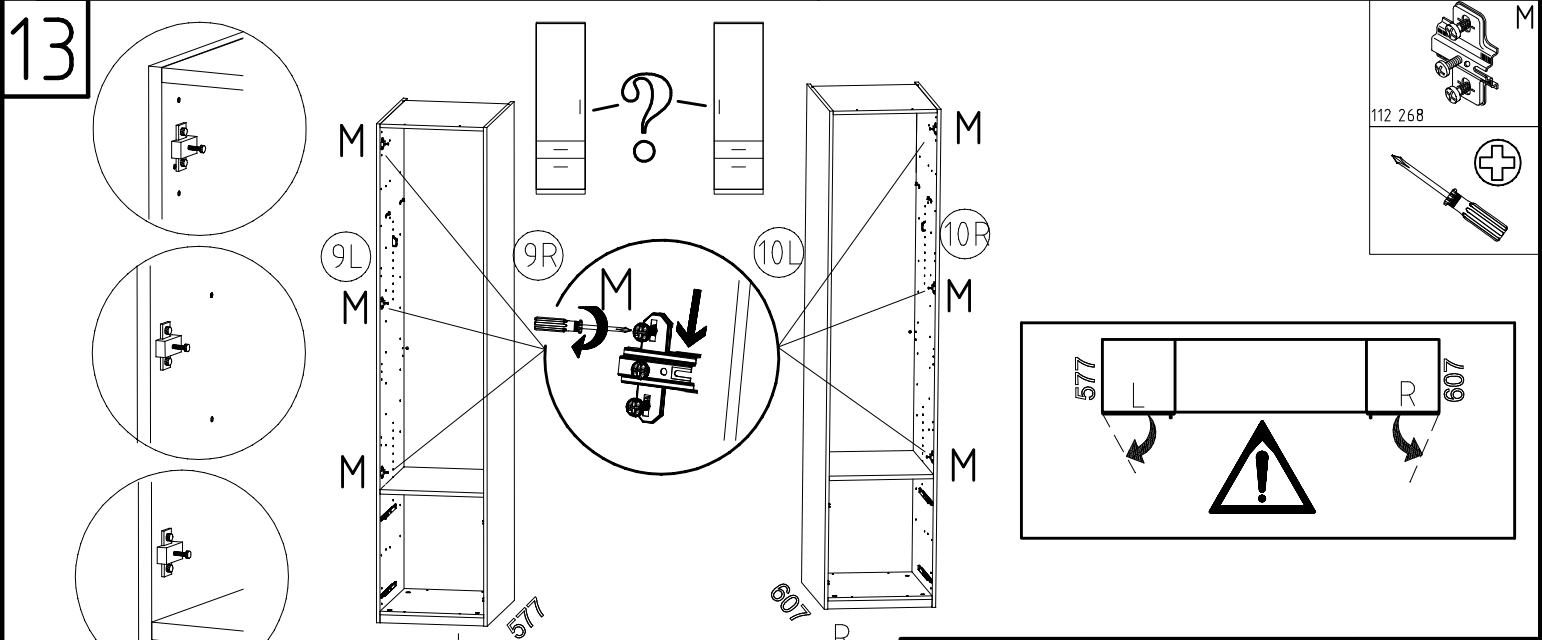
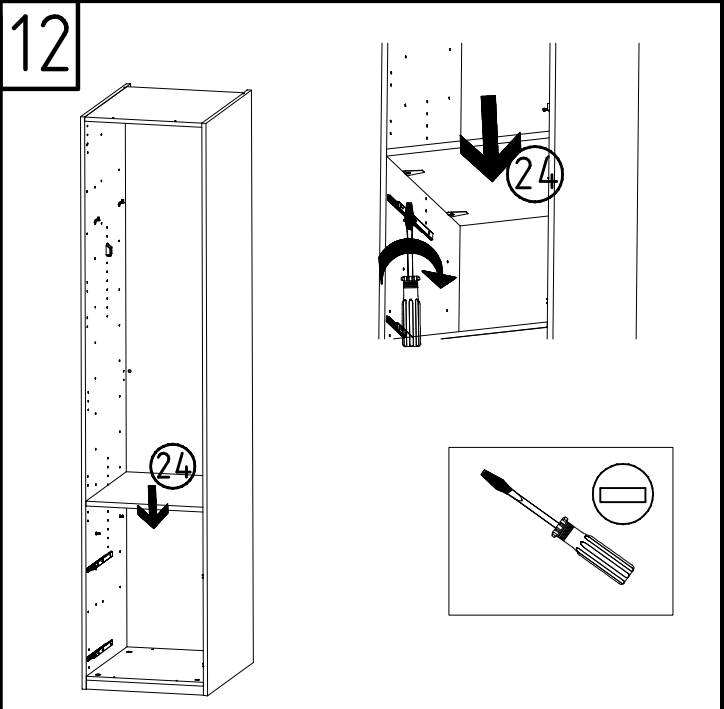
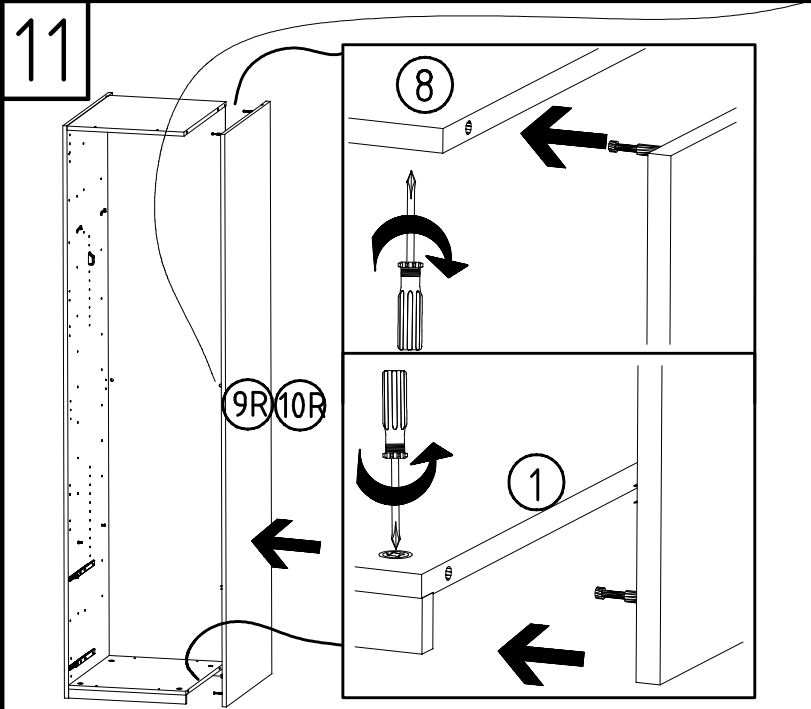
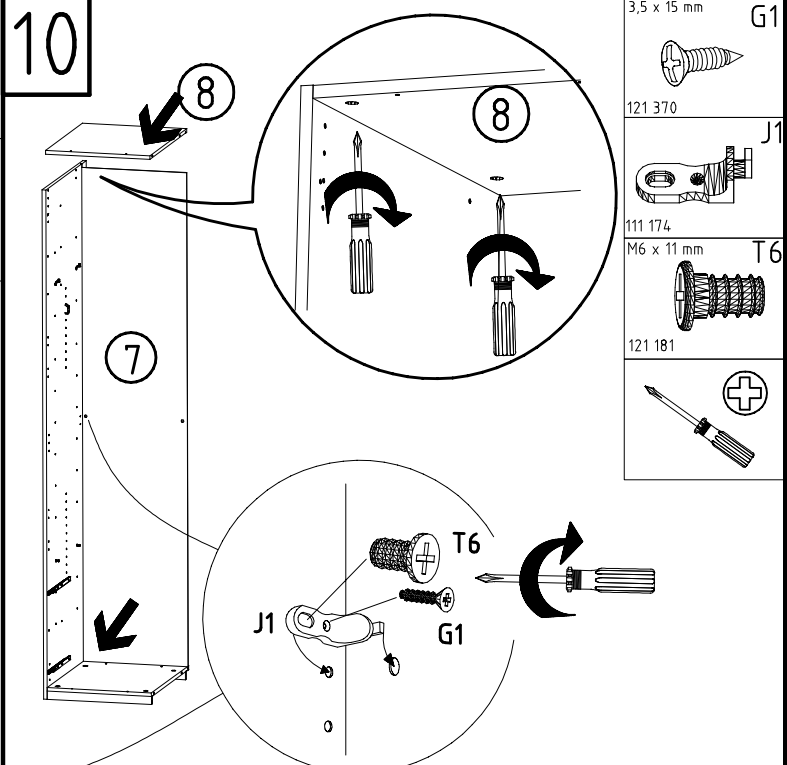
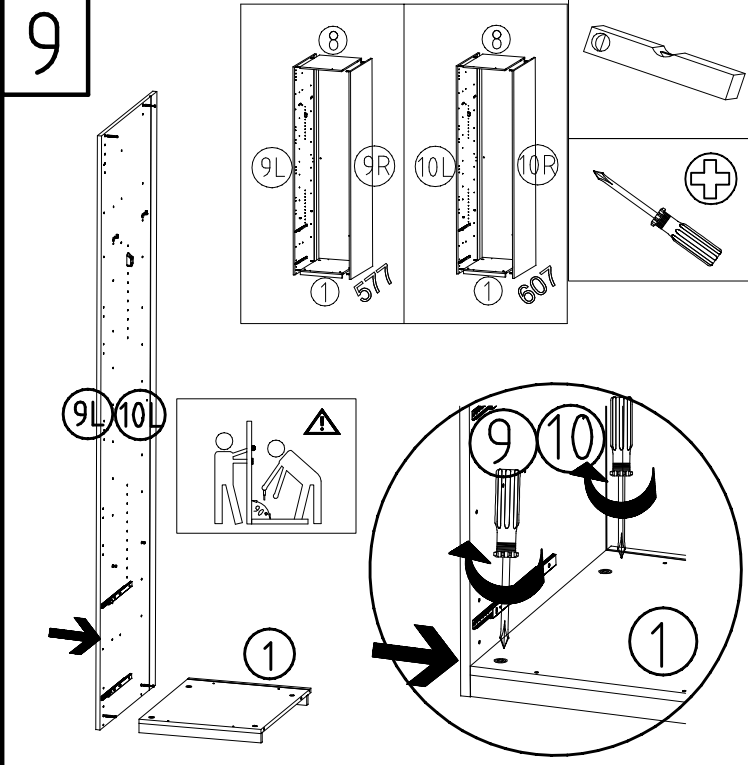


2.

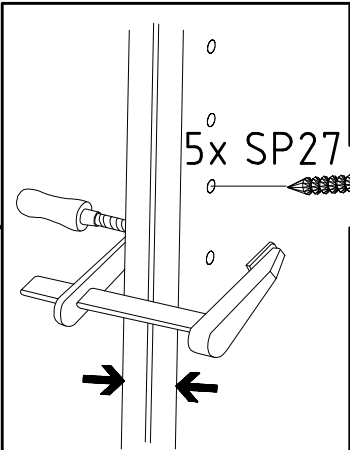
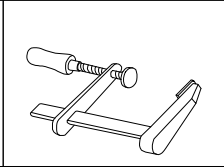
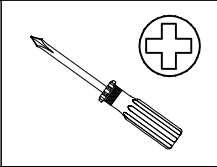
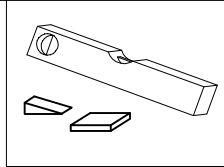
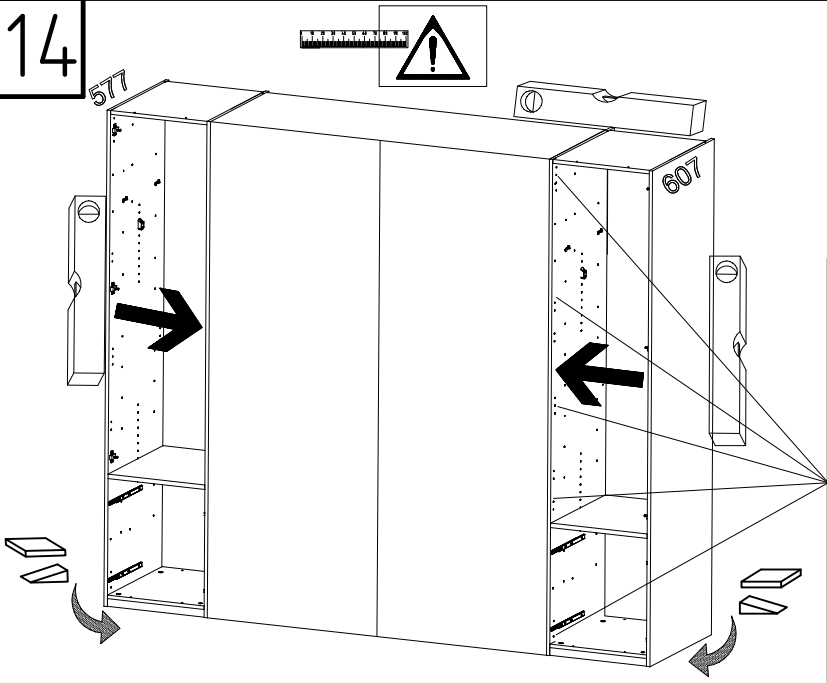


5

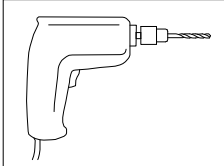
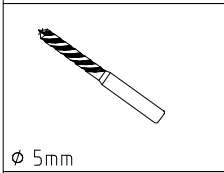




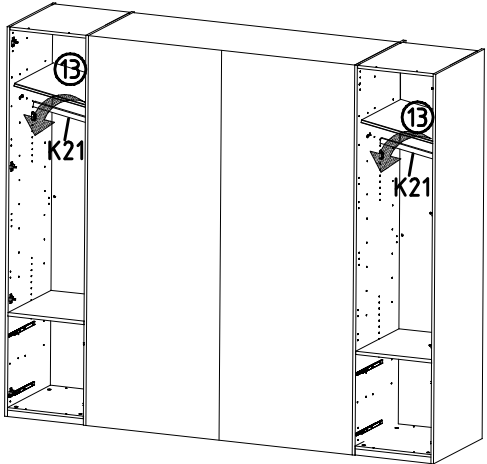
14



SP27
4 x 27mm
122620

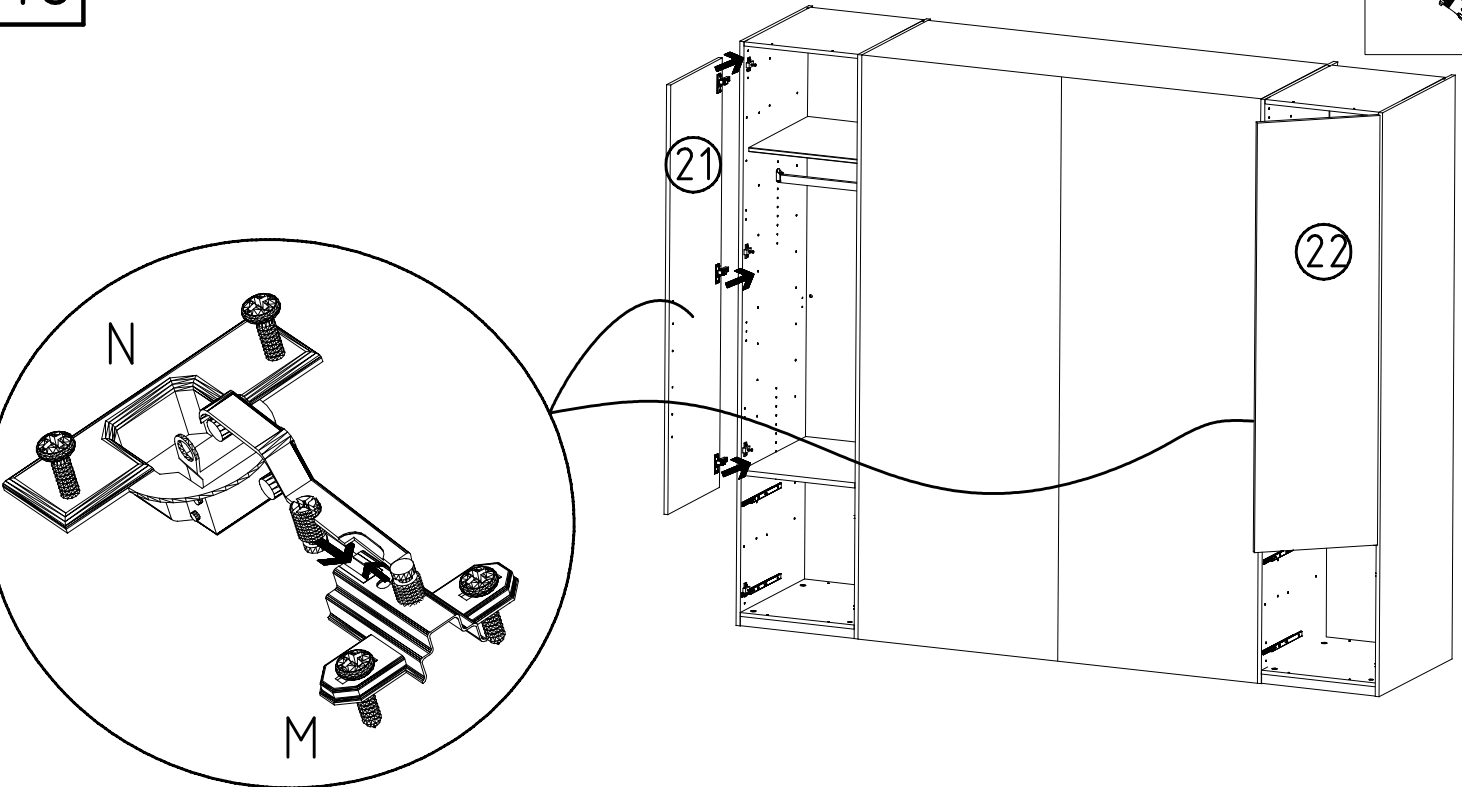


15

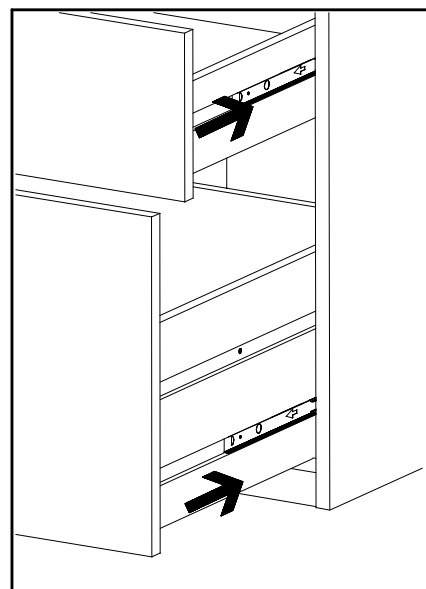
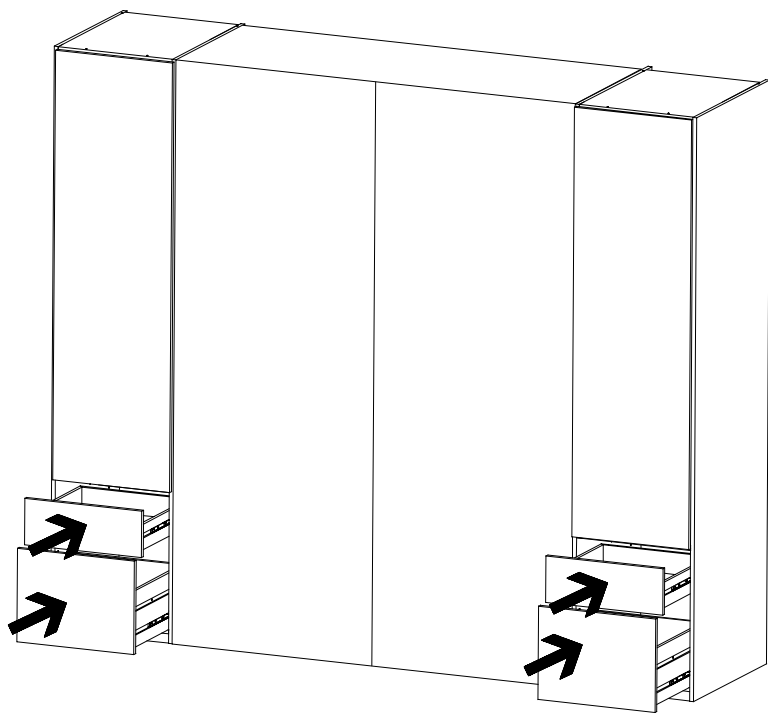


K21
424mm
112 403

16

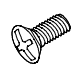


17

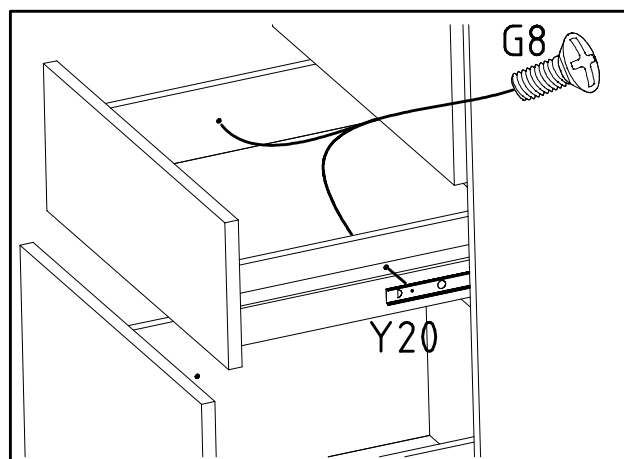
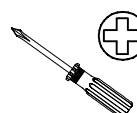


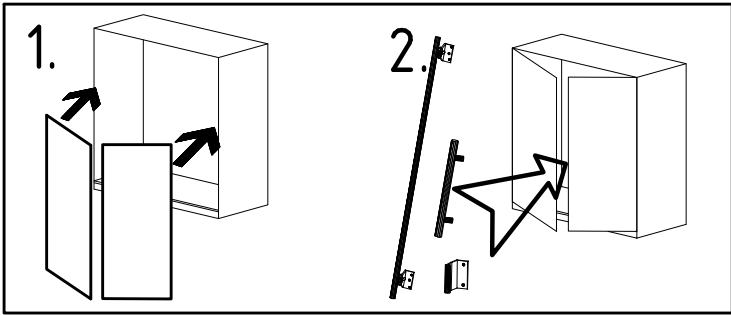
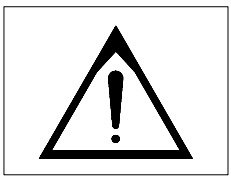
18

M4 x 9 mm **G8**

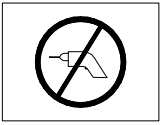
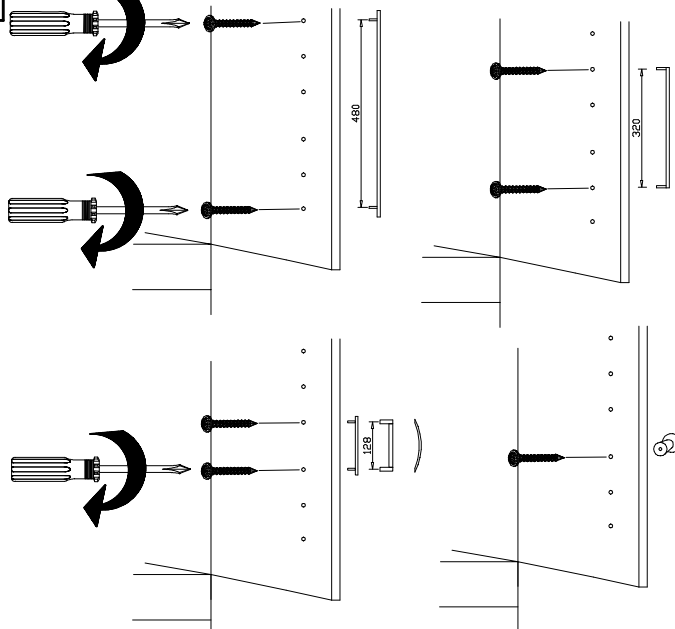
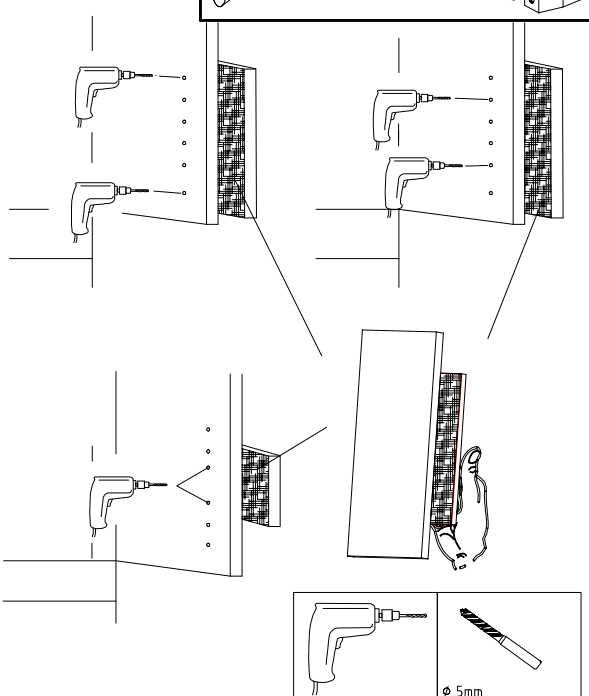
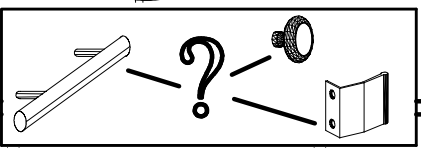
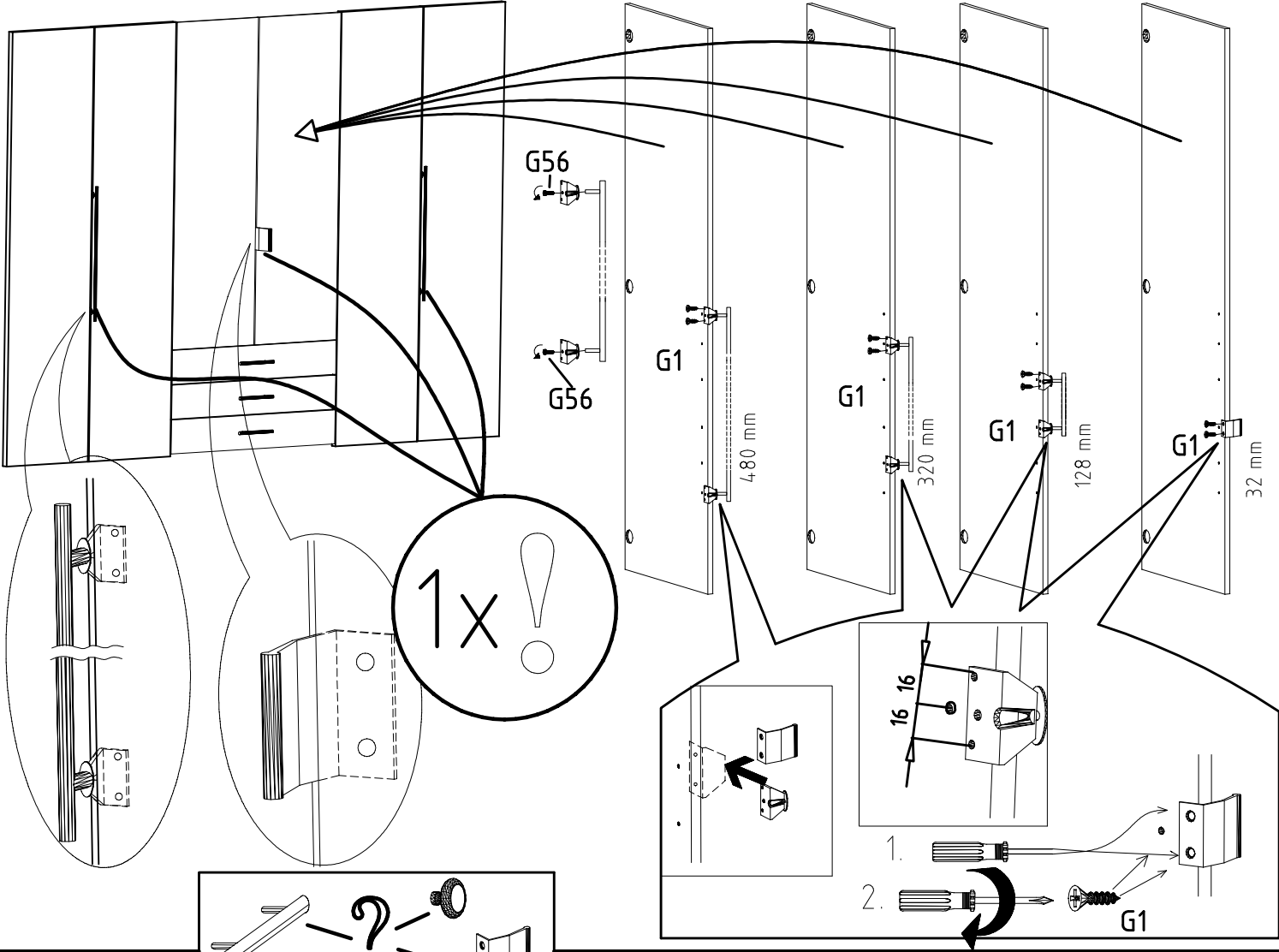


111 015





3,5 x 15 mm 121 370	G1	4,0 x 12 mm 122 625	G56
------------------------	----	------------------------	-----



	SP27
4 X 27mm	
122620	
4,0x22	G49
122 609	

