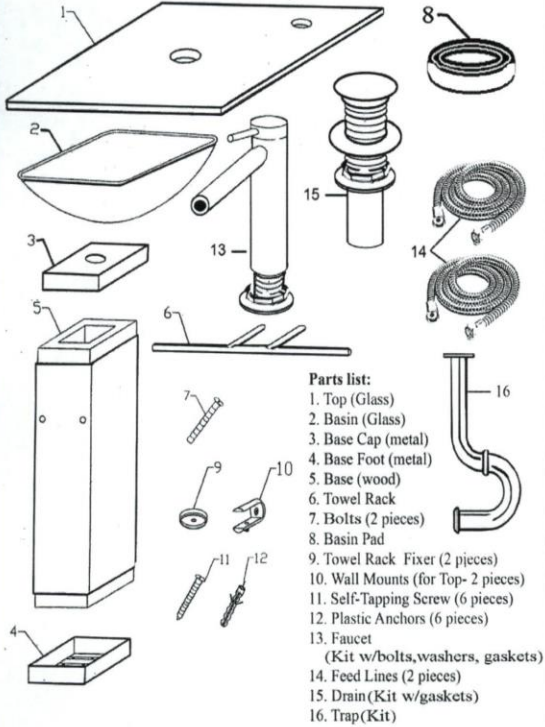
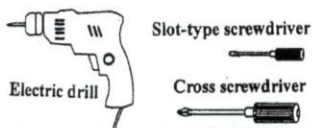


Assembly Guide (item 10887)

1. Unpack and check parts list



2. Tools



3. Install Base Foot

Measure out from wall to center of base foot using glass top as a reference:

