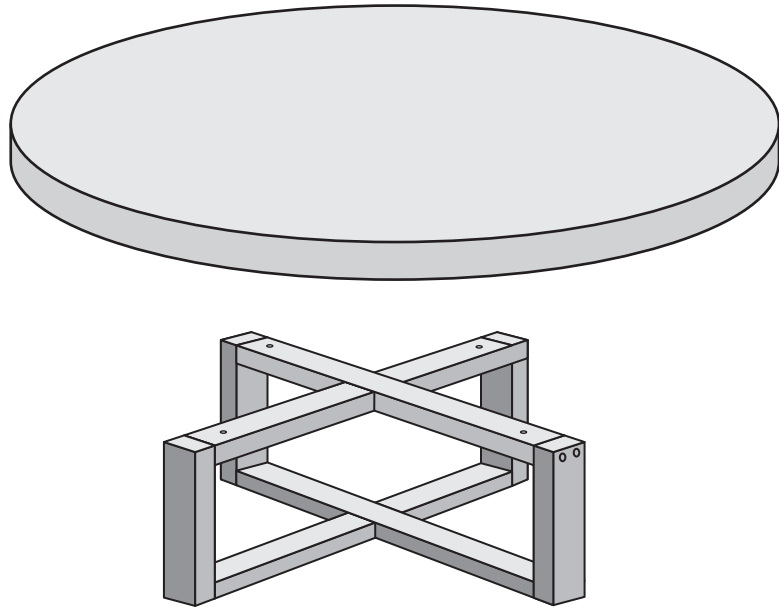
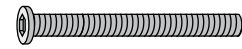


INSTALLATION INSTRUCTIONS



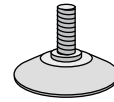
PARTS LIST



Screw



Gasket



Adjustable leveling feet

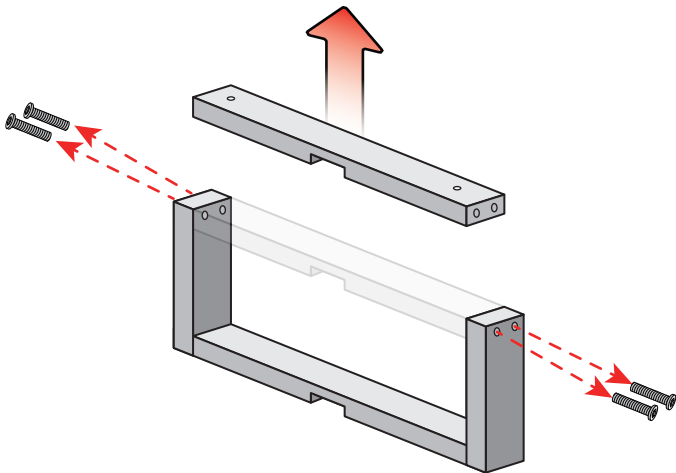


Hex wrench

The extra parts are for spare

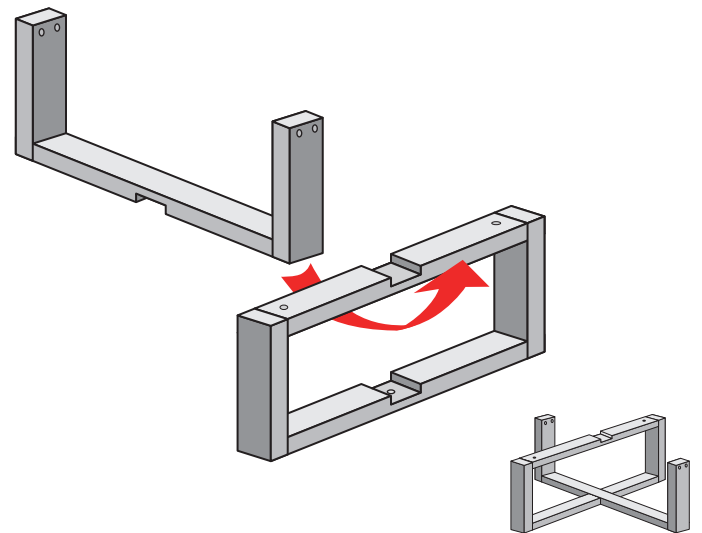
STEP 1

Remove the screws from the table legs and take off the crossboard.



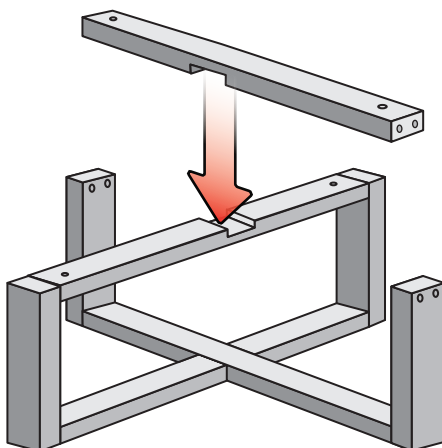
STEP 2

Pass the legs of one table through the legs of another table and then assemble them together.

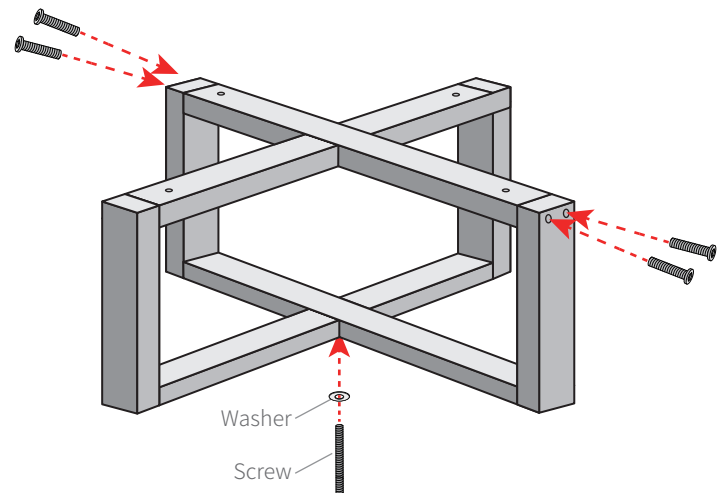


STEP 3

Put the crossboard back in place

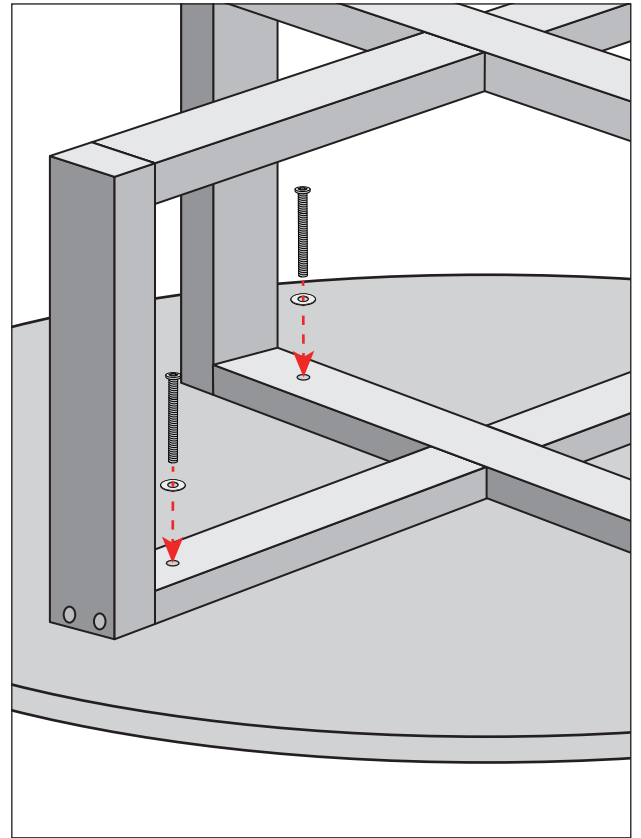
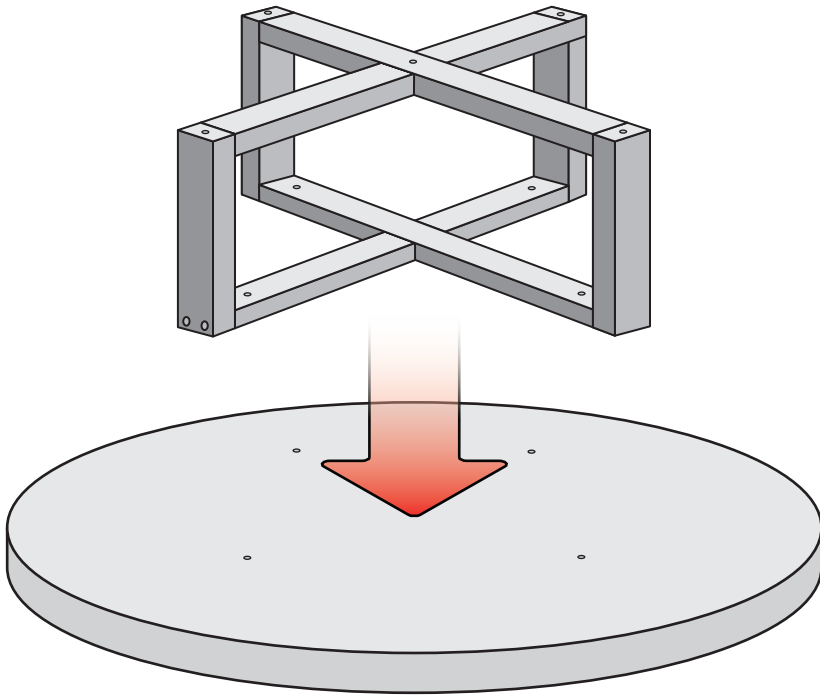


Secure the cross board with the original screws, and also secure the bottom of the table legs with screws.

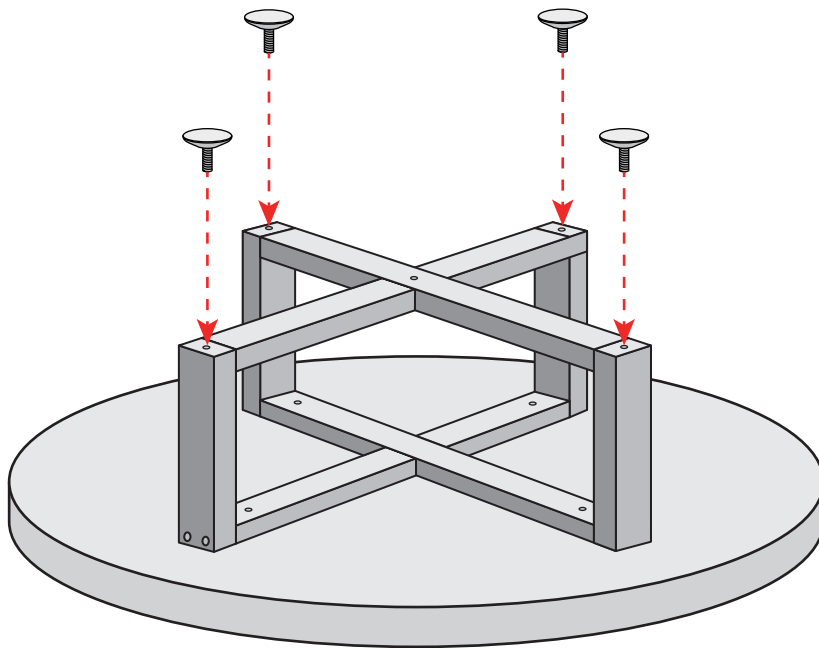


STEP 4

Install the table legs on the back side of the tabletop.
Fix it with screws



Adjustable leveling feet



STEP 5

Install Adjustable leveling feet at the bottom of the table legs

Installation completed

