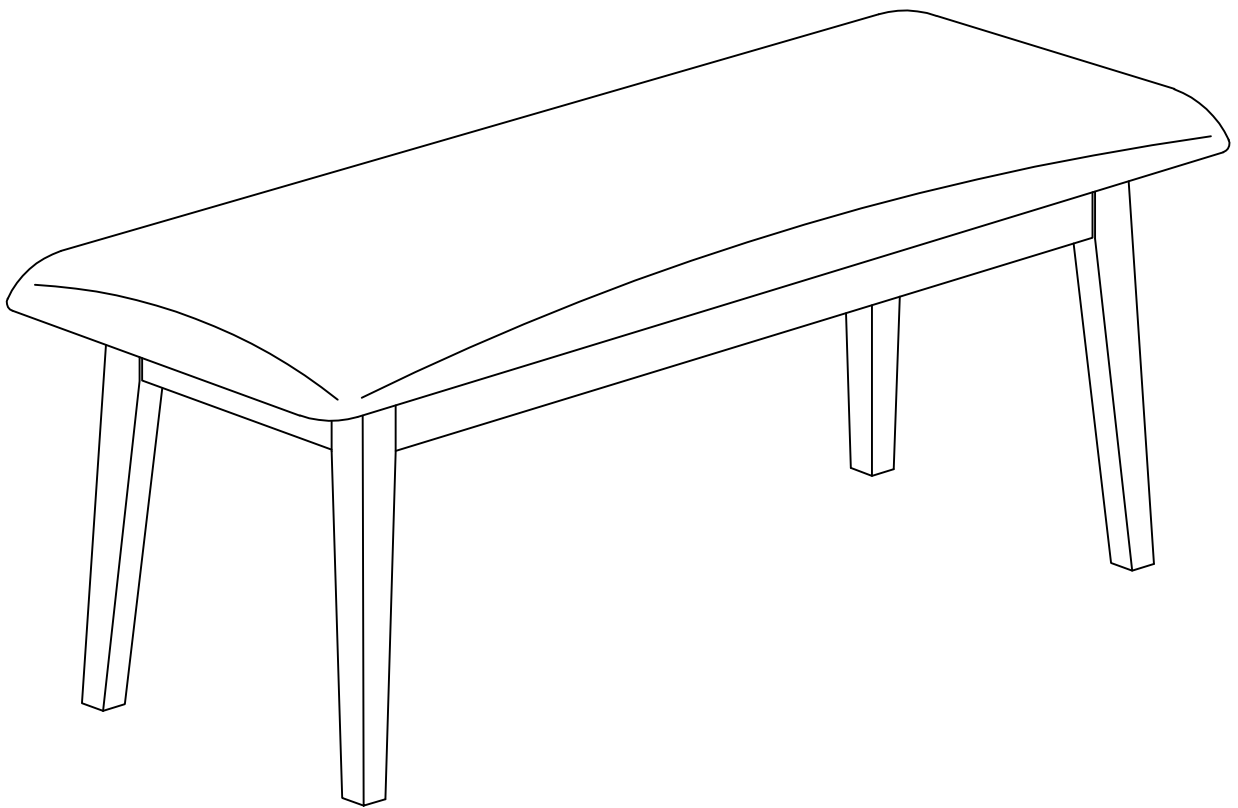


LUCIA BENCH







Read this instruction carefully. See hardware and Furniture part list for guidance.
 Be sure all parts are complete, before you assemble. Place all wooden prevent from being scratched.
 Follow the figure to start assembling.

CAUTIONS:

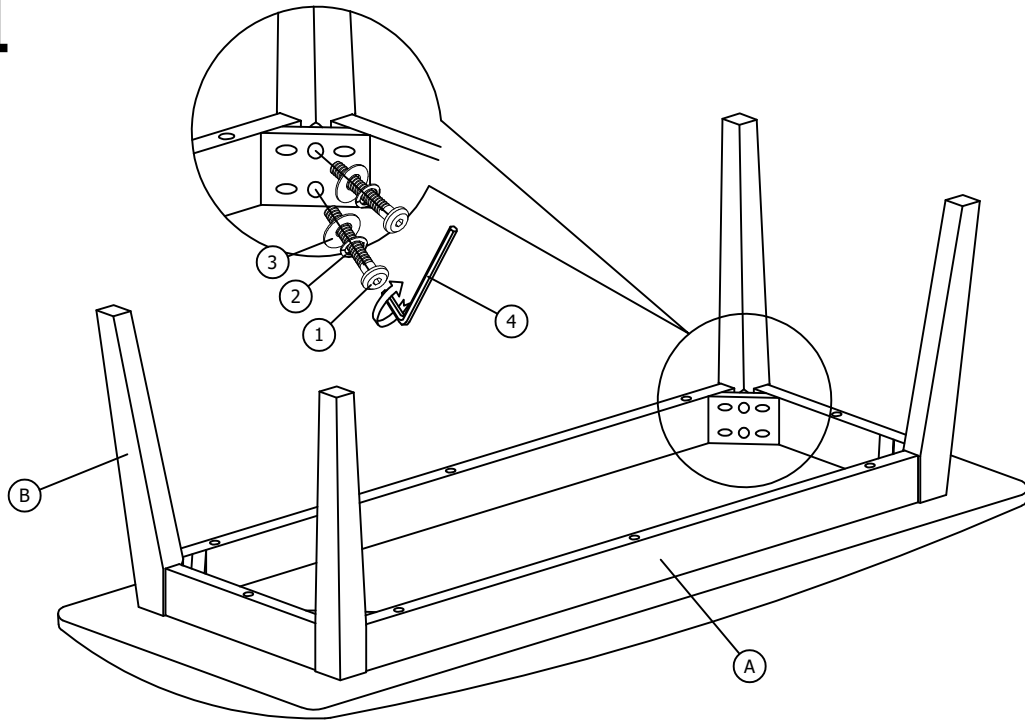
1. Do not FULLY- Tighten the nut or bolts until ALL nuts and bolts are inserted.
2. Do not Over - Tighten the nuts or bolts to avoid causing damages to the thread.
3. Keep all hardware parts out of reach of children.

NOTE: THE LIST AND QUANTITY SHOWN ARE FOR 1 UNIT ASSEMBLY.

PART LIST		
ITEM	DESCRIPTION	QTY
A	CUSHION SEAT WITH APRON	1 PC
B	LEG	4 PCS

HARDWARE LIST			
ITEM	DESCRIPTION		QTY
1	JCBC SCREW M6 x 60mm		8 PCS
2	SPRING WASHER M6		8 PCS
3	FLAT WASHER M6 x 19mm		8 PCS
4	ALLEN KEY M4		1 PC

STEP 1



STEP 2

