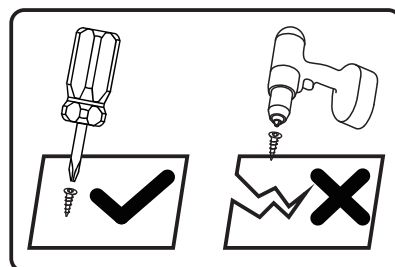
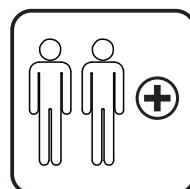
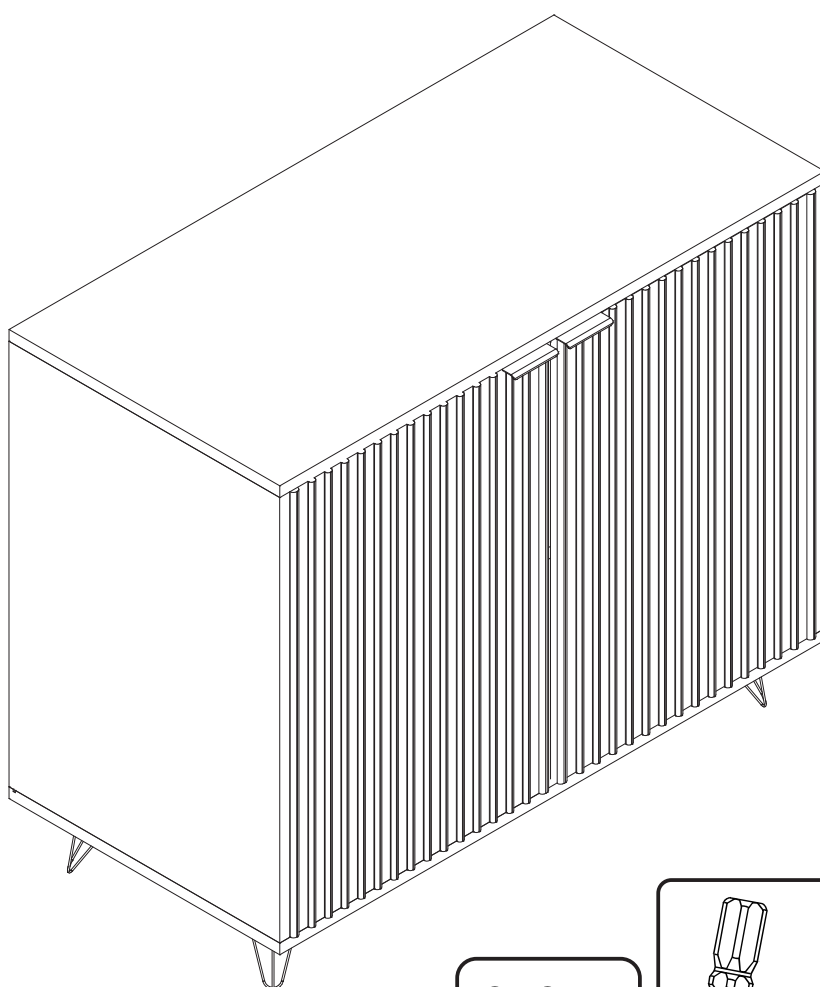


# ASSEMBLY INSTRUCTIONS

Customer Service : [cs@nbrehome.com](mailto:cs@nbrehome.com)



## Tools Recommended

THIS INSTRUCTIONS CONTAINS IMPORTANT SAFETY INFORMATION.  
PLEASE READ BEFORE ASSEMBLY AND KEEP FOR FUTURE REFERENCE.

Need Parts or Assistance? Email us : [cs@nbrehome.com](mailto:cs@nbrehome.com)

# IMPORTANT NOTICE

-This product contains small components, please ensure that they are kept away from small children.

-THIS INSTRUCTIONS CONTAINS IMPORTANT SAFETY INFORMATION.  
PLEASE READ BEFORE ASSEMBLY AND KEEP FOR FUTURE REFERENCE.

-Read each step carefully. It is very important that each step of instruction is performed in the correct order. If these steps are not followed in sequence, assembly difficulties will occur.

-Make sure all parts are included. Most parts are labelled or stamped on the raw edge.

-Work in spacious area, preferably on a carpet, near the place the unit will be used.

-Do not use power tools to assemble your furniture. Power tools may strip or damage the parts.

-Move your new furniture carefully, with two people lift and carry the unit to it's new location.

-Never push, drag or pull your furniture (especially on carpet)





## PLEASE DO NOT RETURN PRODUCT TO US IMMEDIATELY

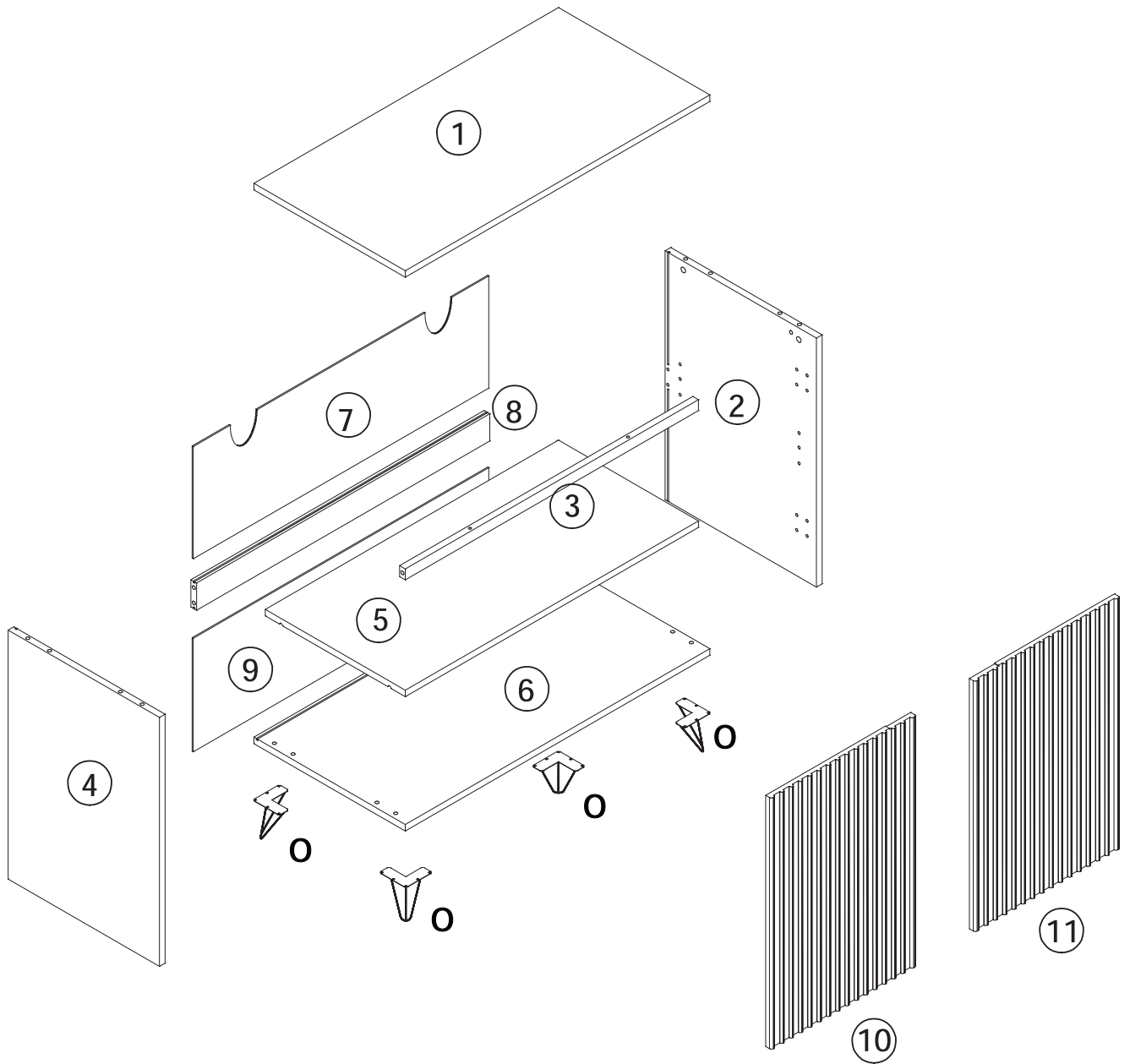
If a part is missing or damaged, email our customer service.  
We will gladly ship your replacement parts FREE of charge.






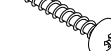









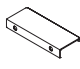



Need Parts or Assistance? Email us : [cs@nbrehome.com](mailto:cs@nbrehome.com)

For Prompt, reliable service, please have your assemble instruction ready

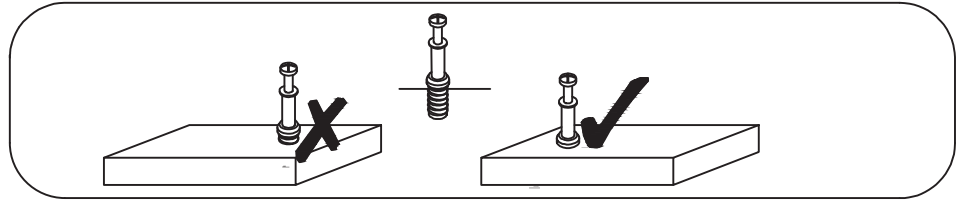
 <b>WARNING</b>	
	<b>Children have died from furniture tipover. To reduce the risk of furniture tipover:</b> <ul style="list-style-type: none"><li>• ALWAYS install anti-tip device provided.</li><li>• NEVER put a TV on this product.</li><li>• NEVER allow children to stand, climb or hang on any drawers, doors, or shelves.</li><li>• NEVER open more than one drawer at a time.</li><li>• Place heaviest items in the lowest drawers.</li></ul>
	<p>This is a permanent label. Do not remove!</p>

The installation direction should be aligned with the instructions to prevent plate breakage caused by product tipping during installation.

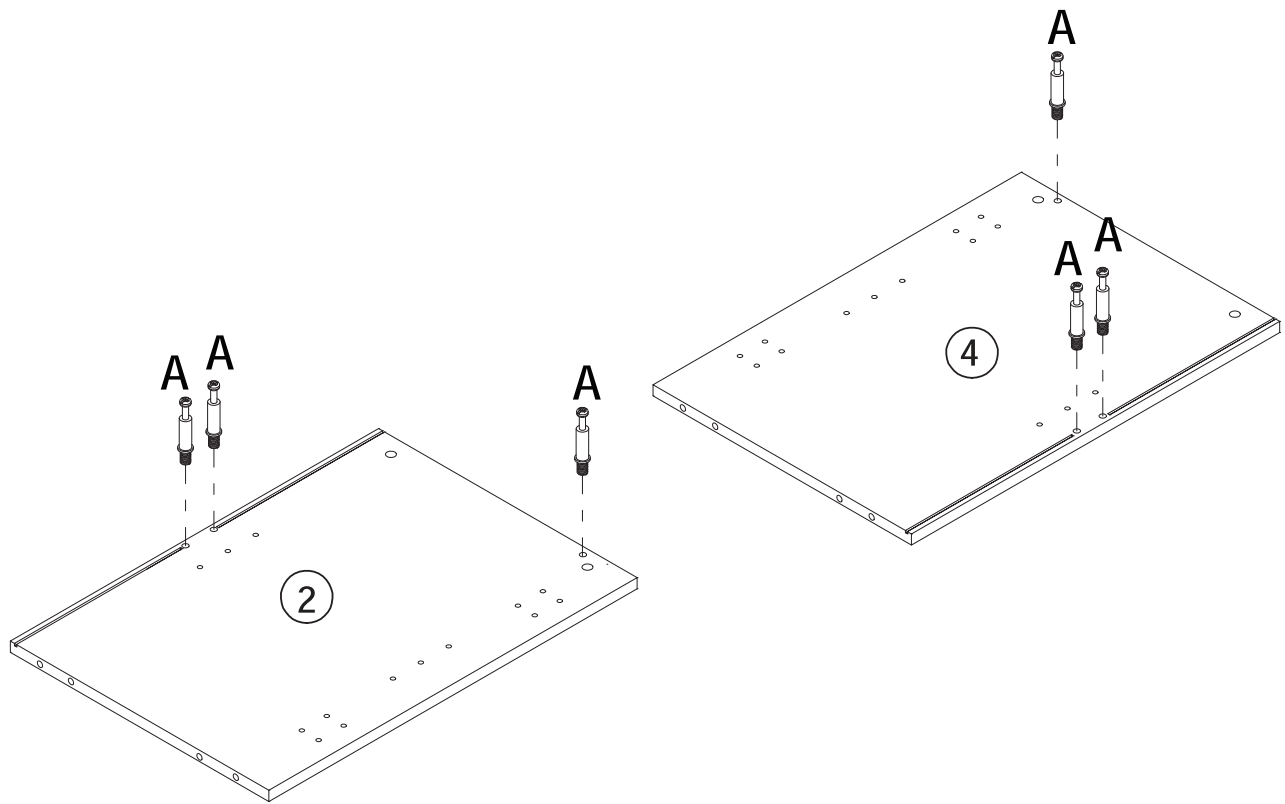


<b>Ax10</b>  Ø6x35mm	<b>Bx10</b> 	<b>Cx8</b>  6x30mm	<b>Dx24</b>  4x12mm	<b>Ex6</b>  4x40mm	<b>Fx2</b>  4x40mm	<b>Gx12</b>  3x14mm
<b>Hx8</b> 	<b>Ix4</b> 	<b>Jx4</b>  3.5x12mm	<b>Kx2</b> 	<b>Lx22</b>  4x12mm	<b>Mx2</b> 	<b>Nx4</b> 
<b>Ox4</b> 	<b>Px2</b> 	<b>Qx2</b> 	<b>Rx2</b> 	<b>Sx2</b>  3.5x12mm		

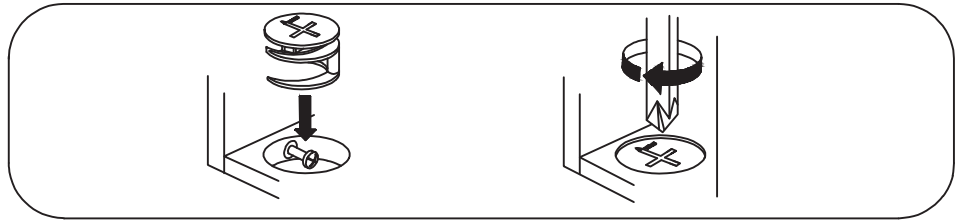
# Step 1



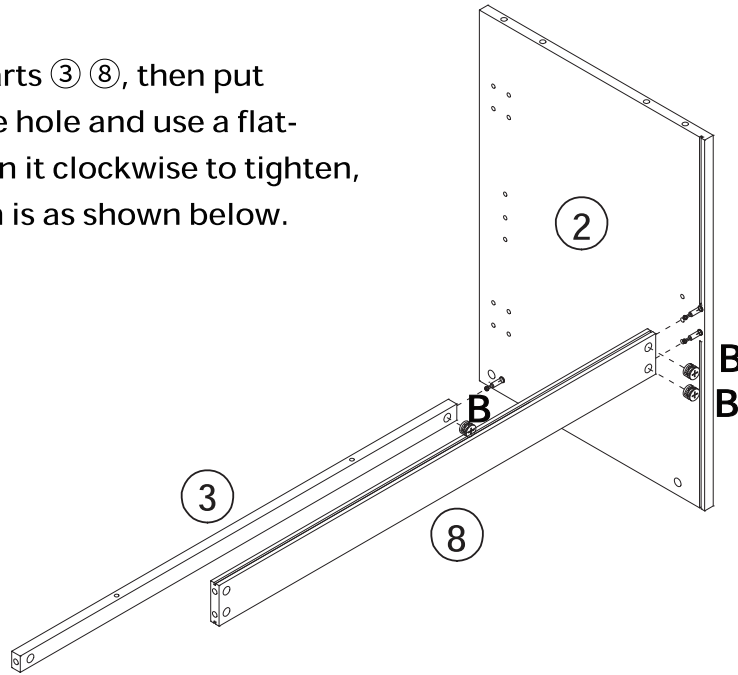
Lock the screw (A) to part ② ④, as shown.



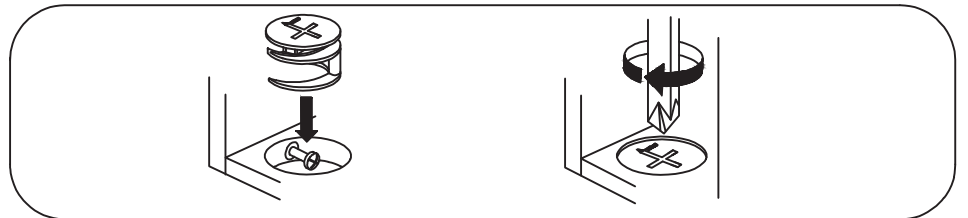
## Step 2



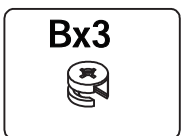
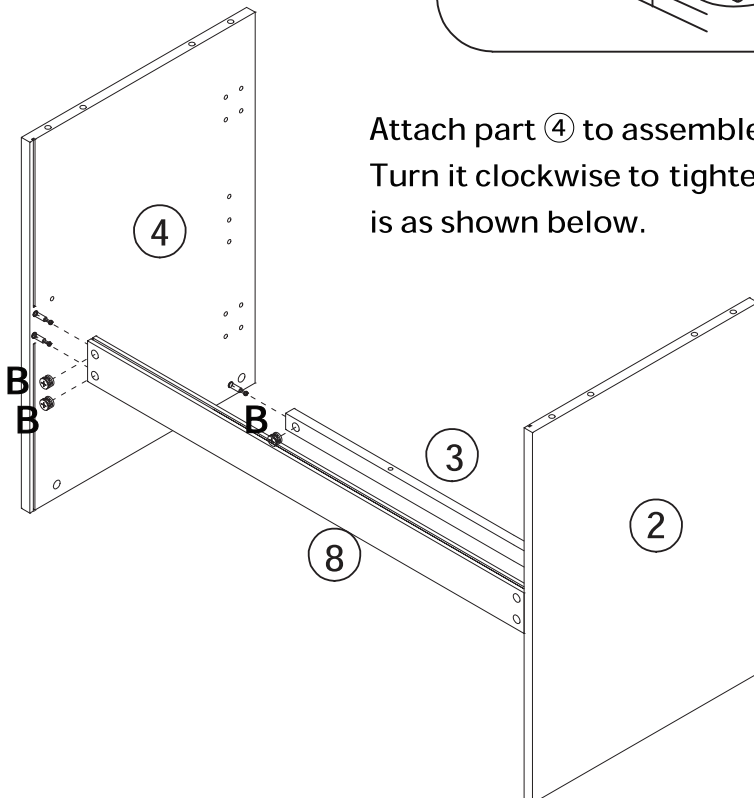
Assemble part ② and parts ③ ⑧, then put the eccentric (B) into the hole and use a flat-blade screwdriver to turn it clockwise to tighten, the installation position is as shown below.



## Step 3

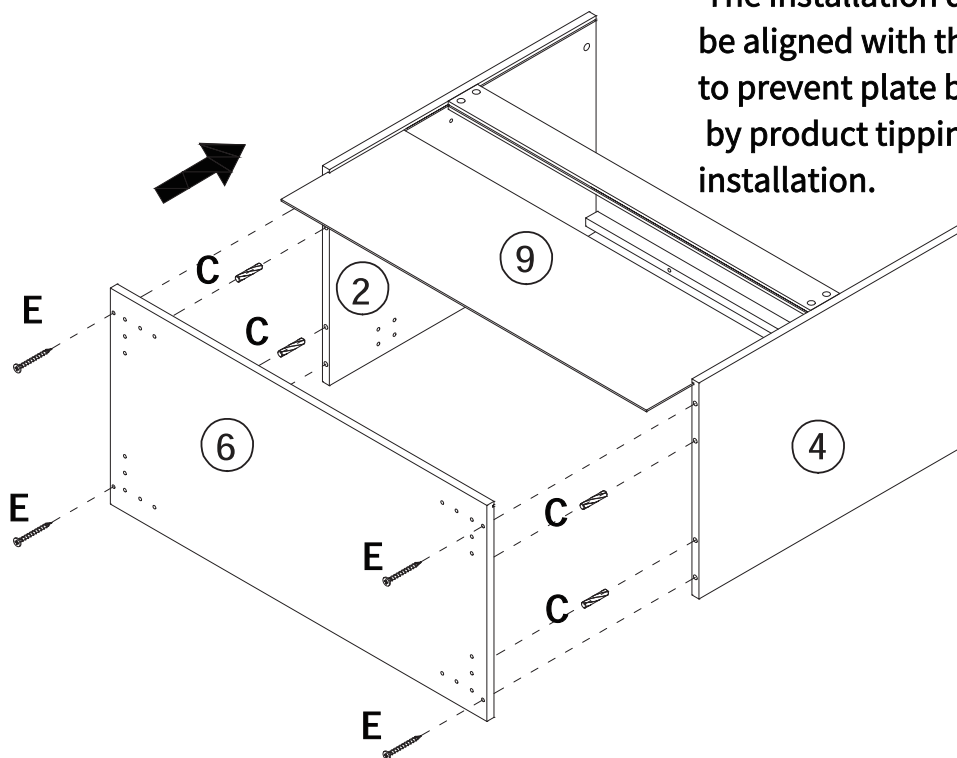


Attach part ④ to assembled unit with eccentric (B)  
Turn it clockwise to tighten. The installation position is as shown below.



# Step 4

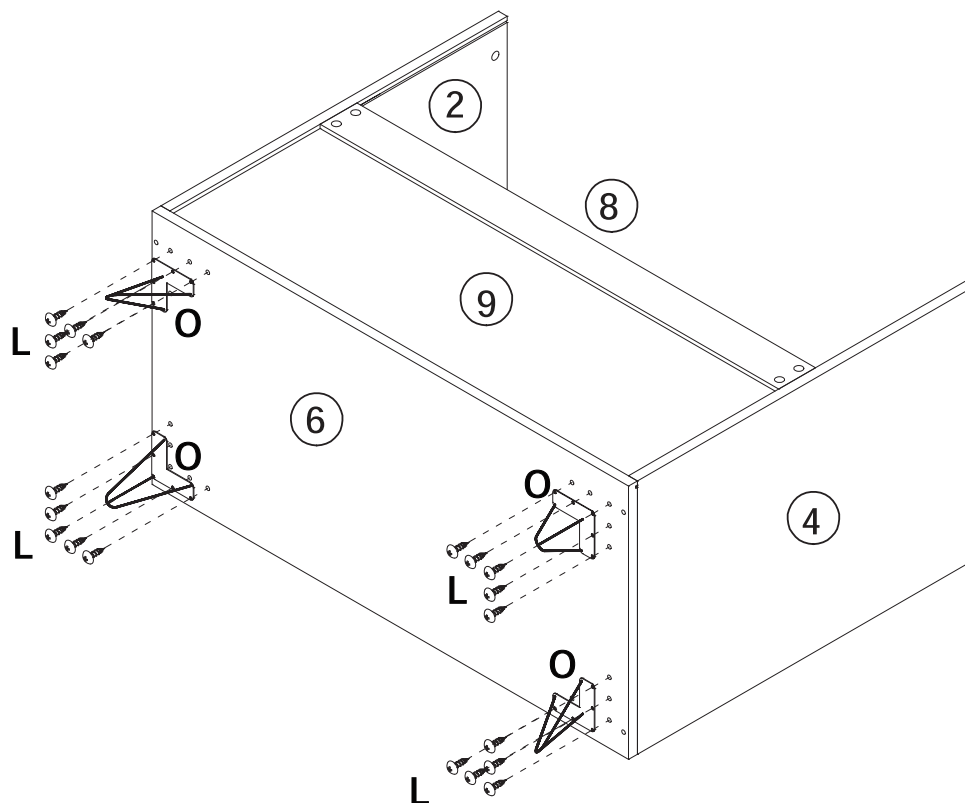
The installation direction should be aligned with the instructions to prevent plate breakage caused by product tipping during installation.



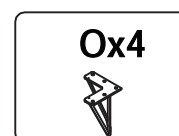
Insert the dowel (C) into parts ② ④ first, then insert part ⑨ along the slot, and then attach part ⑥ to assembled unit with screw (E). The installation position is as shown below.



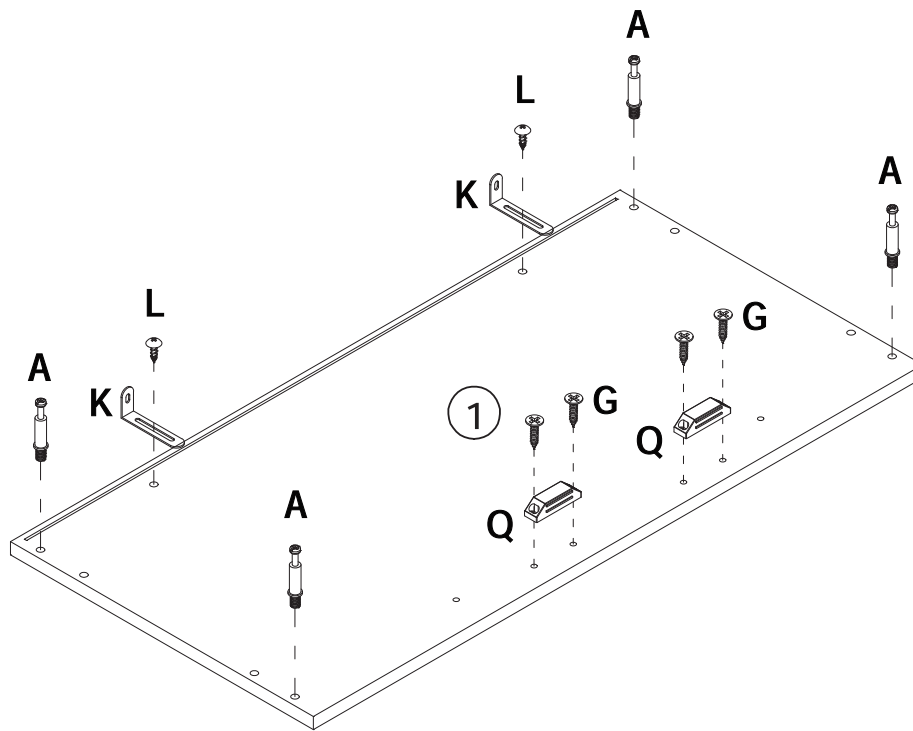
# Step 5



Use screw (L) to lock support leg (O) to part ⑥ .  
The installation position is as shown in the figure below.



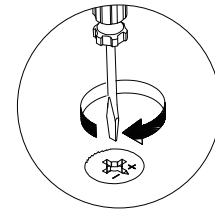
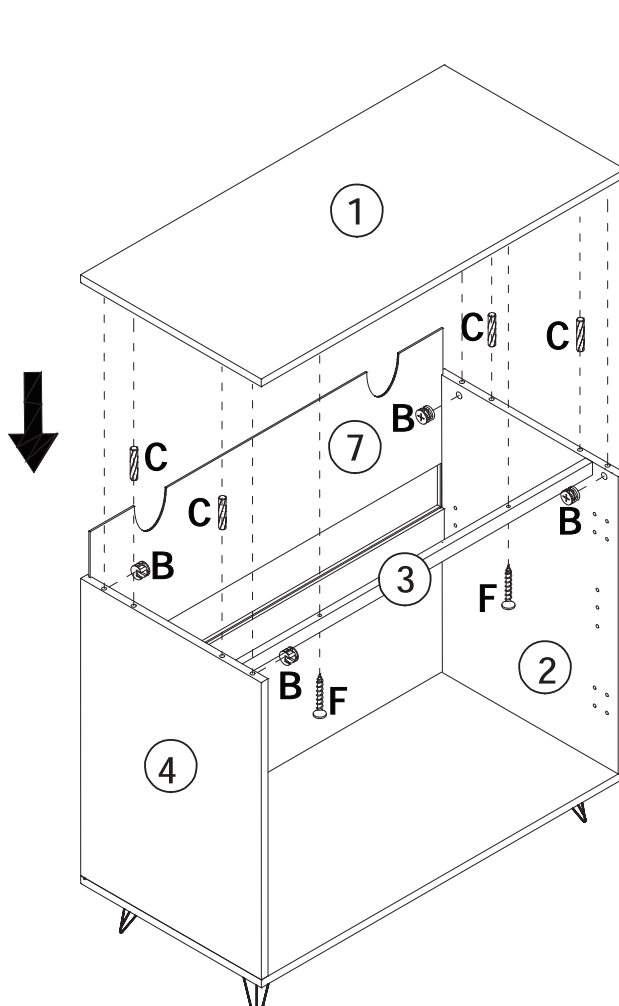
# Step 6



Lock the screw (A) to part ① first, then install the anti-tipping devices (K) to the part ① with screw (L). Use the screw (G) to lock the magnetic touch (Q) to the part ①. The installation position is as shown below.



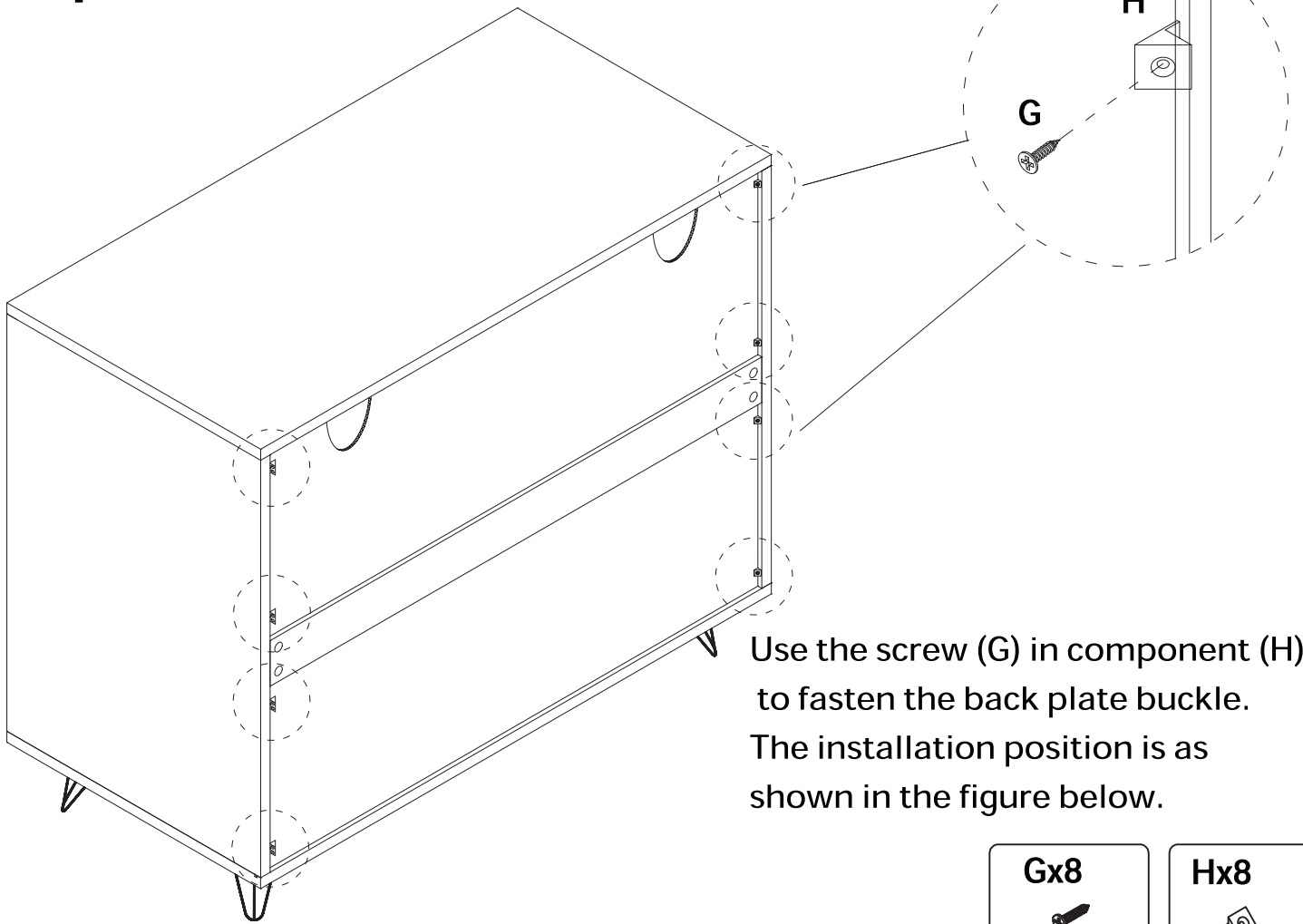
# Step 7



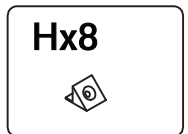
Insert part ⑦ along the slot first. Then insert the dowel (C) into parts ② ④, attach part ① to assembled unit with eccentric (B), turn it clockwise to tighten, And then use screw (F) to attach part ① and part ③. The installation position is as shown below.



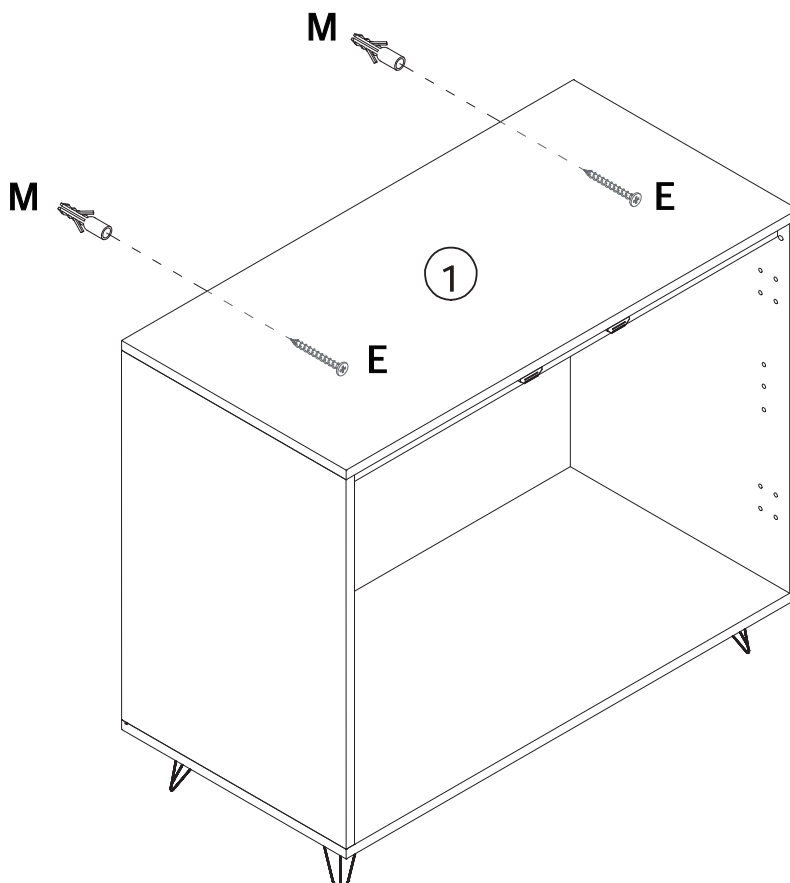
# Step 8



Use the screw (G) in component (H) to fasten the back plate buckle. The installation position is as shown in the figure below.



# Step 9

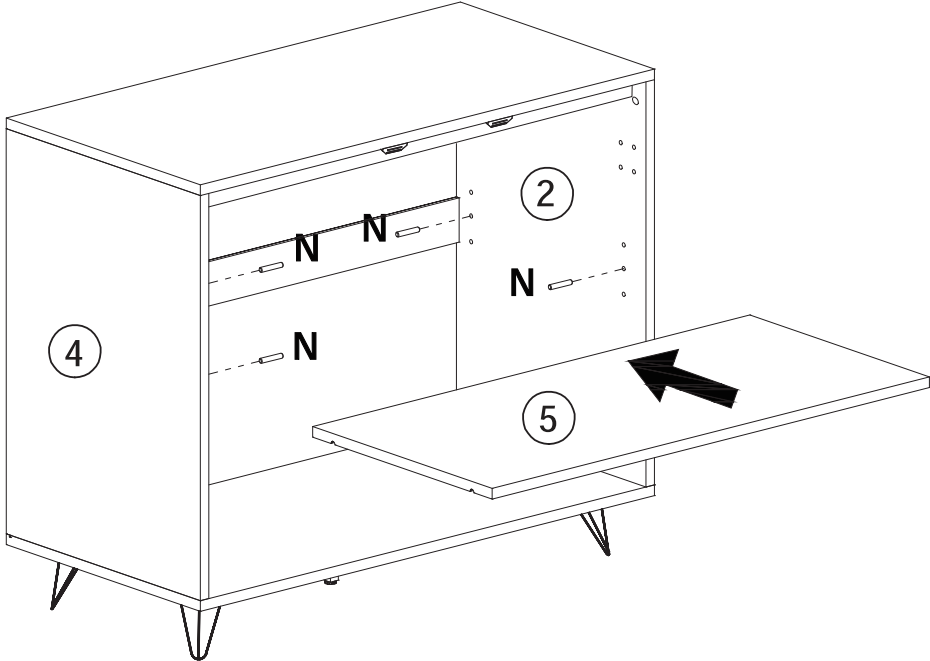


Drill a small hole in the wall first, then plastic nail (M) into the wall and then use screws (E) to fix the cabinet to the wall. The installation position is as shown in the figure below.




# Step 10

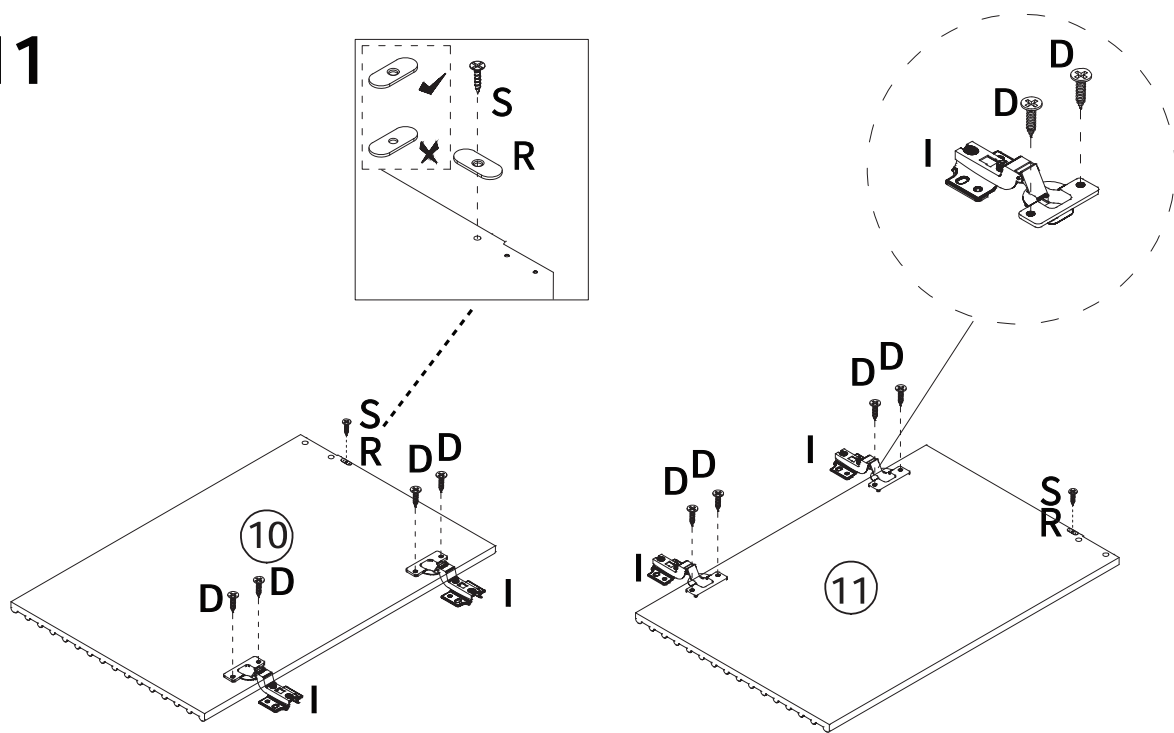
Install the layer support (N) to part ② ④, as shown.  
Then place part ⑤ parallel in the middle of the cabinet.



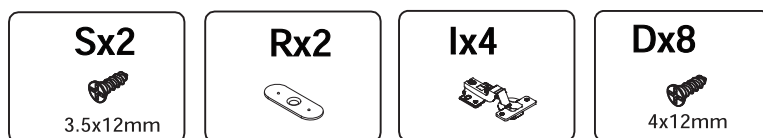
**Nx4**



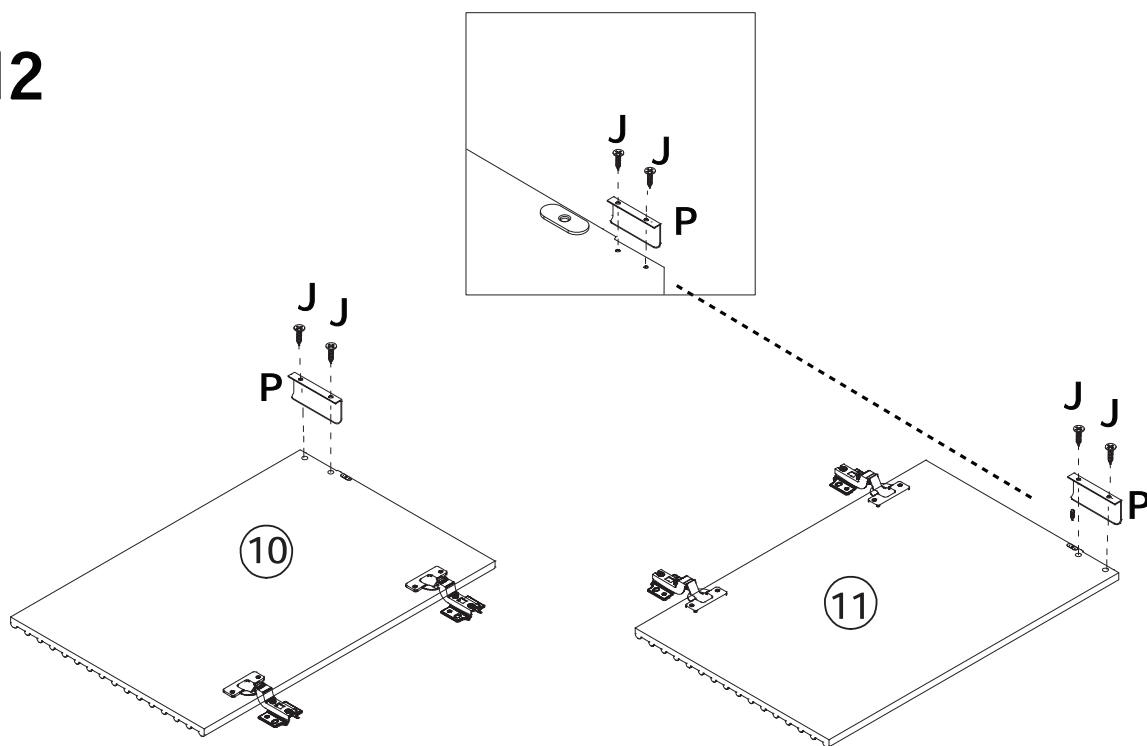
# Step 11



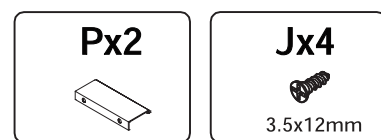
First, use the screw (D) to lock the hinge (I) to part ⑩⑪, Then use the screw (S) to lock the iron plate (R). The installation position is as shown in the figure below.



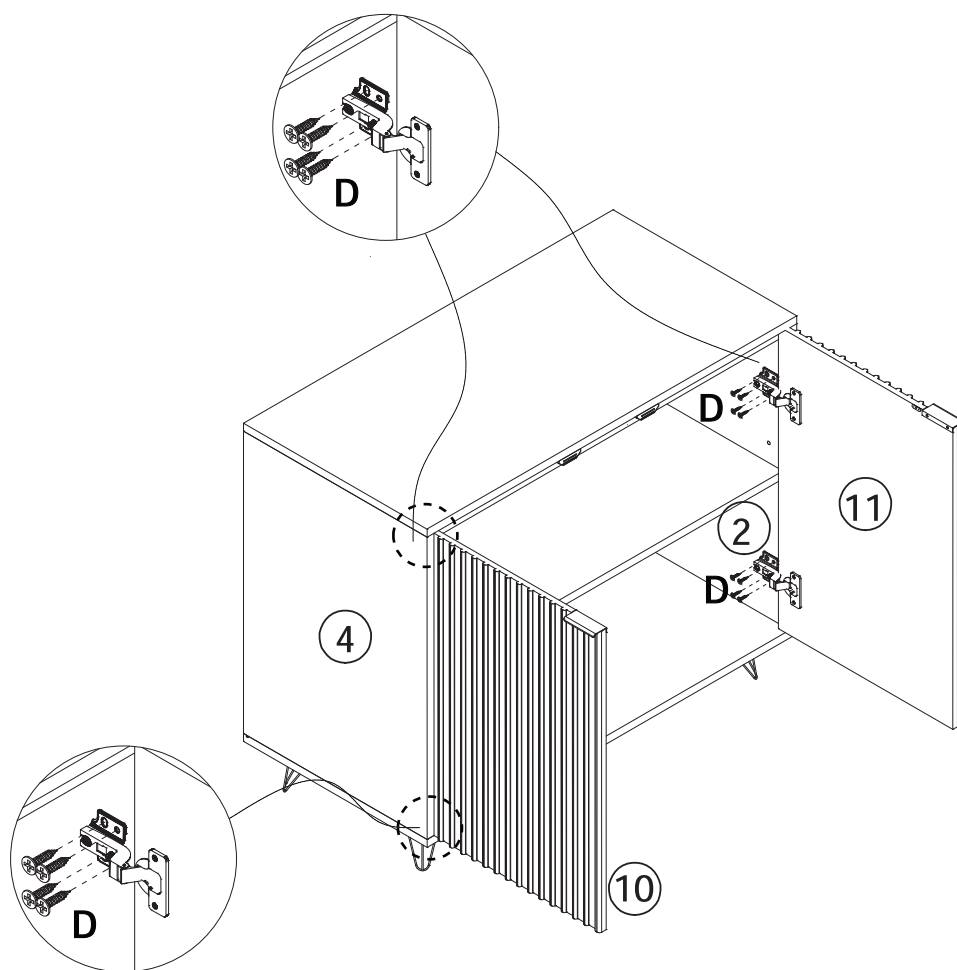
# Step 12



Use the screw (J) to lock the handle (P) on part ⑩⑪



# Step 13



Use the screw (D) to lock the hinge to part ② ④, as shown.

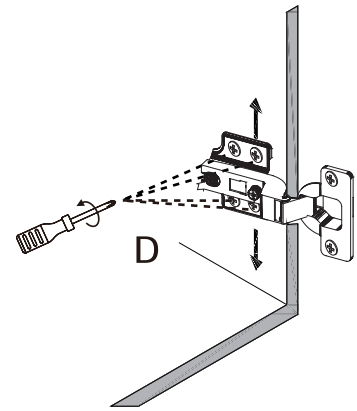
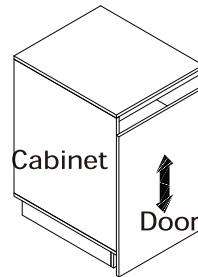
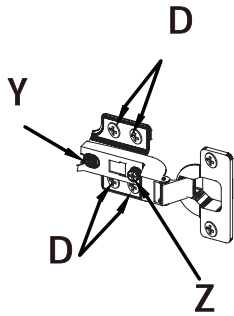
**Dx 16**



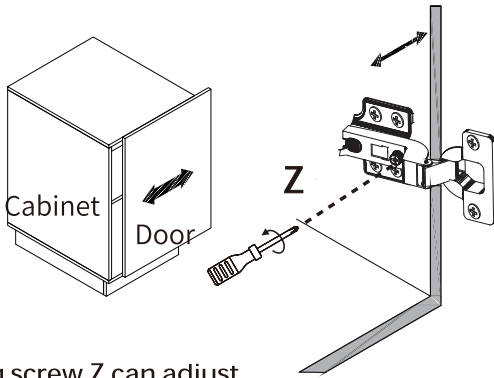
4x12mm

# Step 14

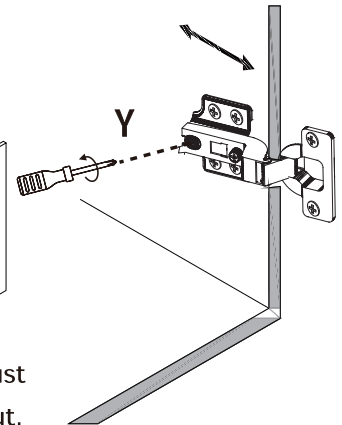
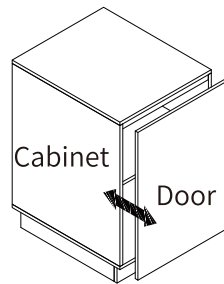
## Hinges Adjustment Tips



Loosening screw (D) can adjust the door panel vertically.



Loosening screw Z can adjust the door panel horizontally.



Loosening screw Y can adjust the door panel in-and-out.

