

# Platform Bed

Contains One (1) Bed and Hardware

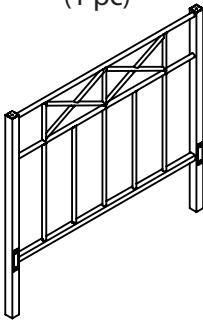
## IMPORTANT NOTE:

Carefully remove all the parts from the box. Arrange on a flat surface and verify you have all of the following parts and hardware.

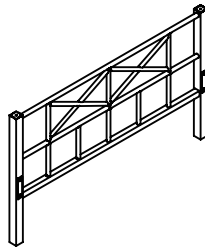
SIZE: TW

## PARTS LIST

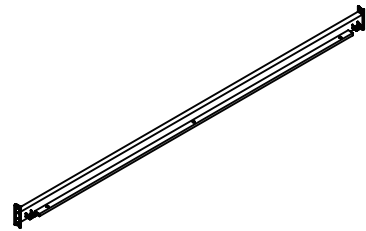
**A. Headboard**  
(1 pc)



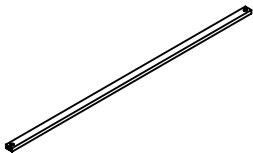
**B. Footboard**  
(1 pc)



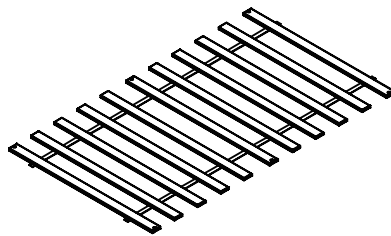
**C. Siderail**  
(2 pcs)



**D. Crossbar**  
(2 pcs)



**E. Wood Slat System**  
(1 pc)



**F. Pineal**  
(4 pcs)



## HARDWARE LIST

**G. 20mm Bolt**  
(12 pcs)



**H. 25mm Bolt**  
(6 pcs)

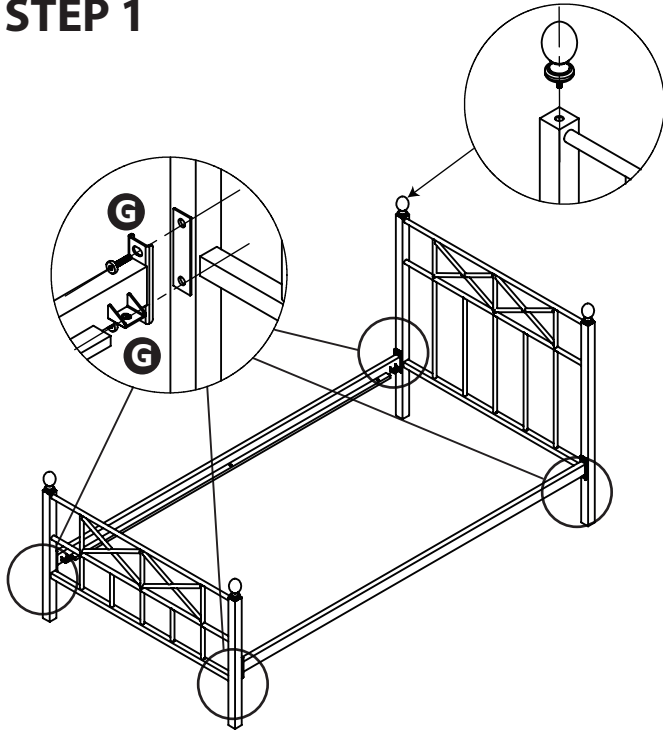


**I. Hex Key**  
(1 pc)



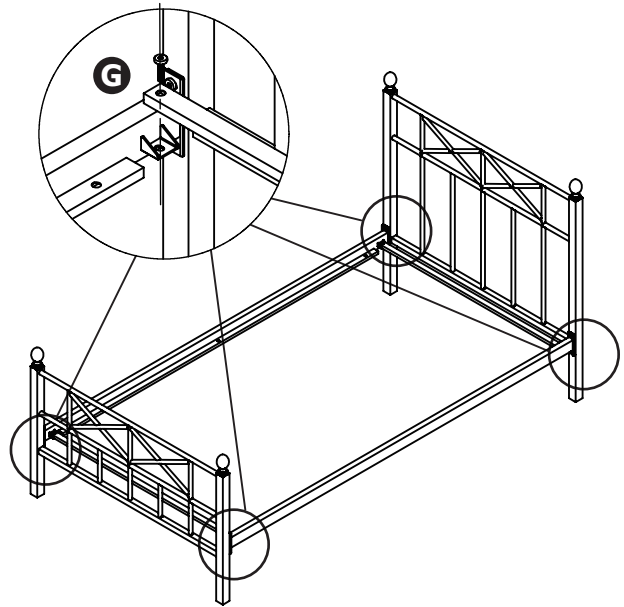
# ASSEMBLY INSTRUCTIONS

## STEP 1



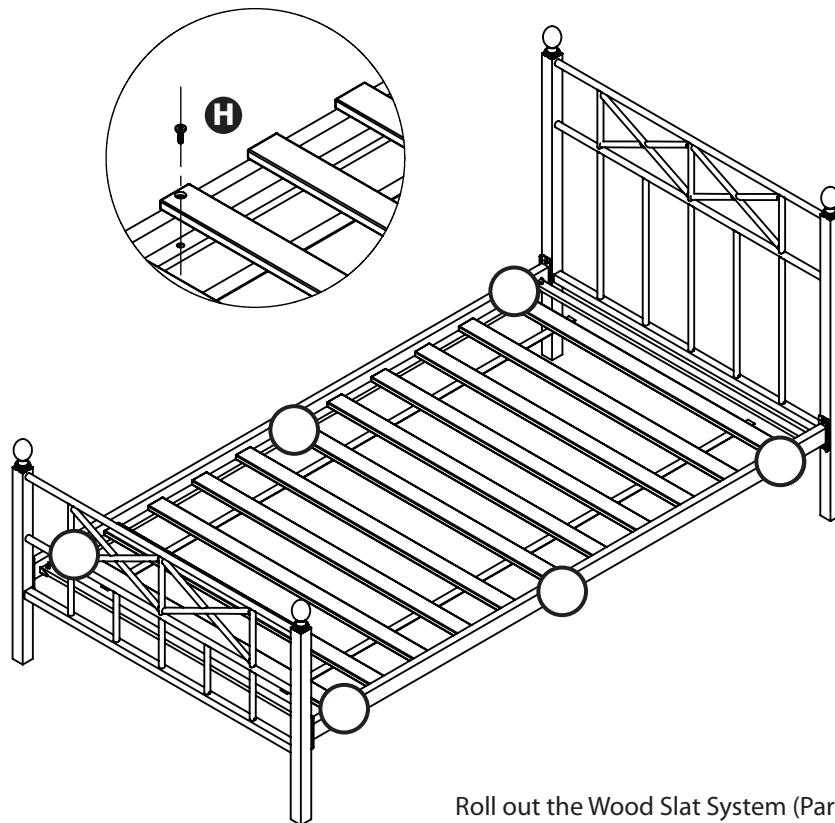
Attach the Siderails (Part C) to the Headboard (Part A) and Footboard (Part B) using 20 mm bolts (Part G). Screw the Pineals (Part F) onto the top of the four corner posts of the bed.

## STEP 2



Attach the Crossbars (Part D) to the Siderails using two 20mm bolts (Part G) for each Crossbar.

## STEP 3



Roll out the Wood Slat System (Part E) and secure it in place using the six 25mm bolts (Part H).