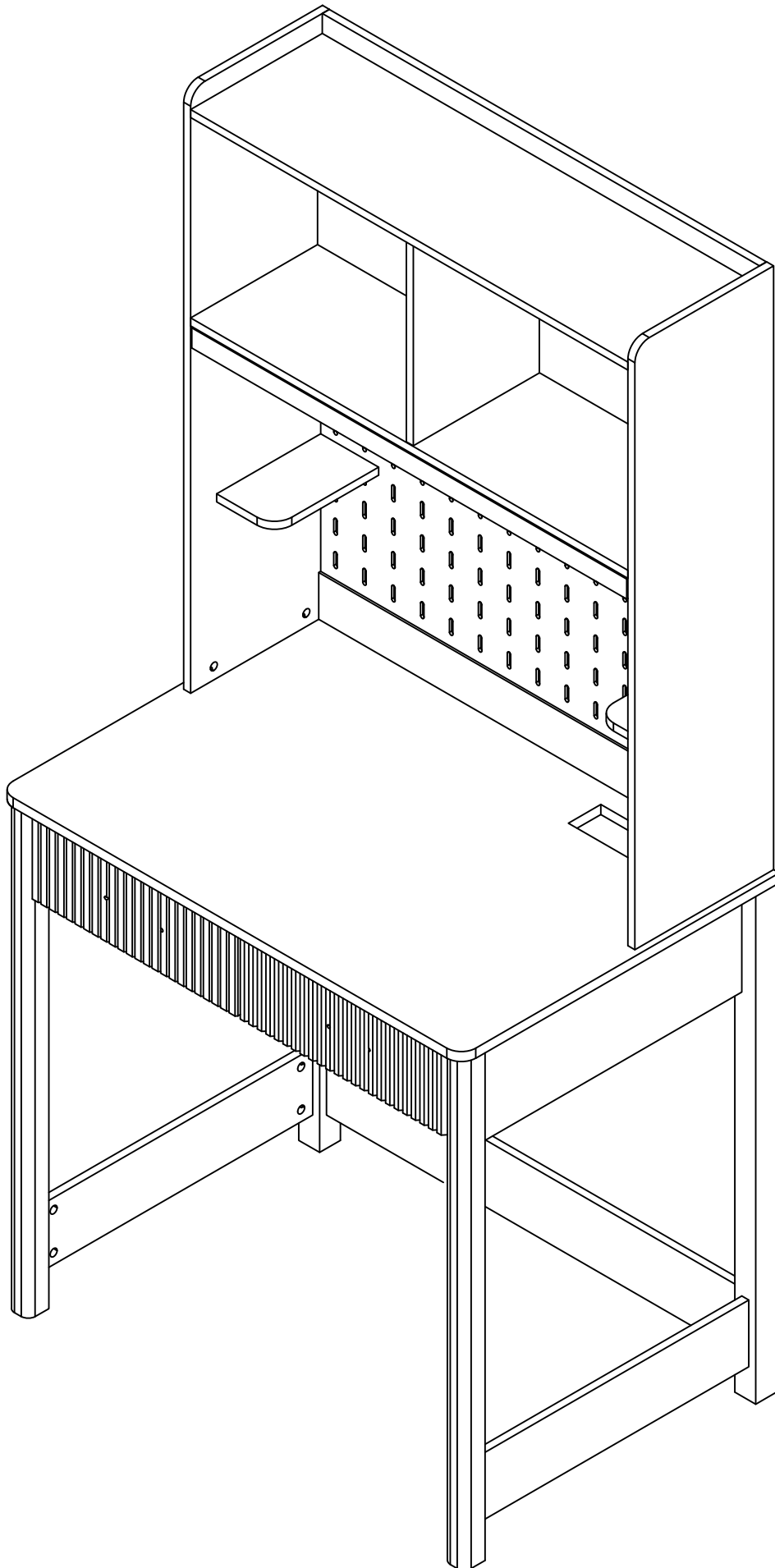
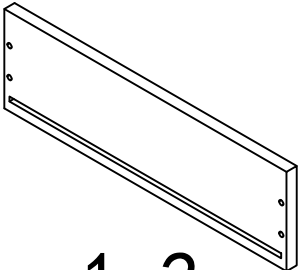
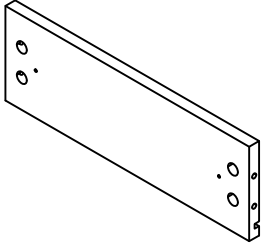
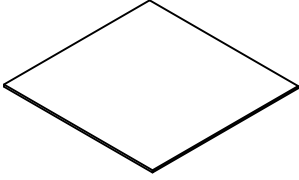
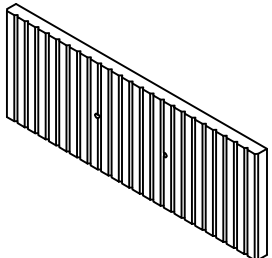
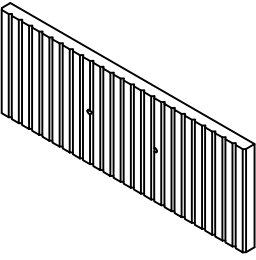
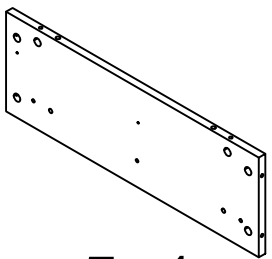
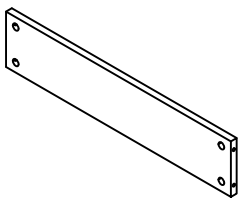
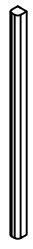
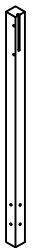
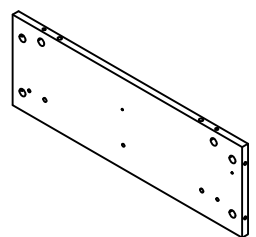


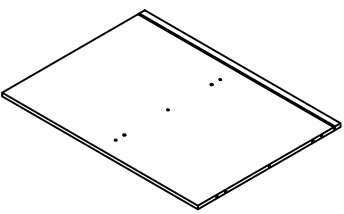
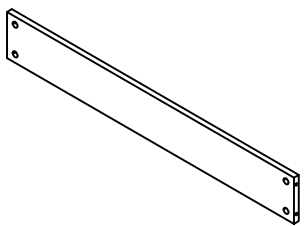
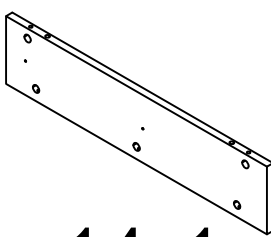
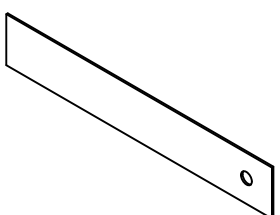
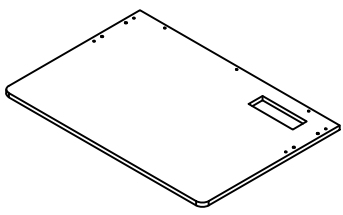

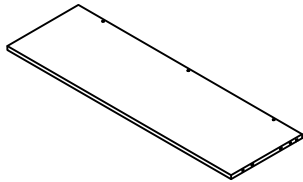
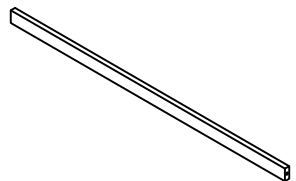
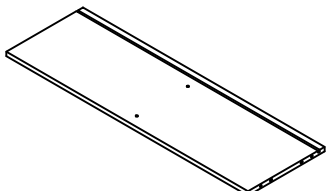
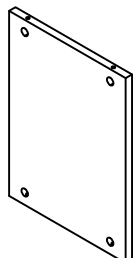
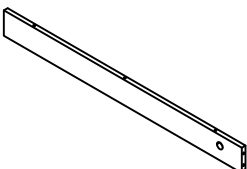
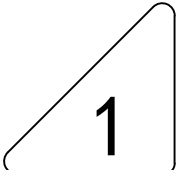
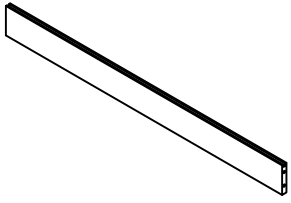


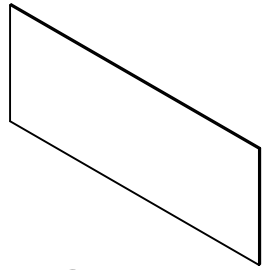
Product Installation Instructions



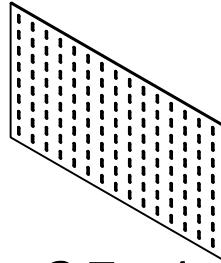
 1x2	 2x4	 3Ax2	 3x1
 4x1	 5x1	 6x2	 7x1
 8x1	 9x1	 10x1	 11x1
 12x1	 13x1	 14x1	 15x1
 16x1	 17x1	 18x1	 19x1
 20x1	 21x1	 22x1	 1



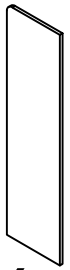
23x1



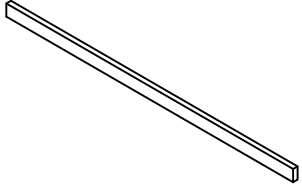
24x1



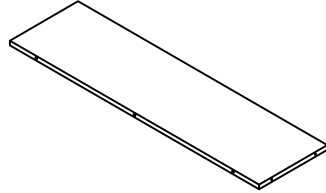
25x1



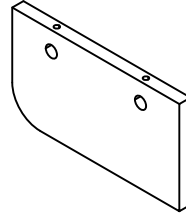
26x1



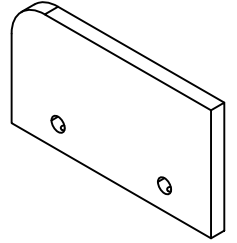
27x1



28x1

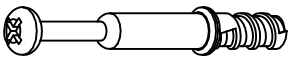


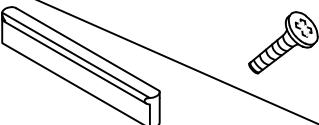
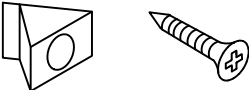
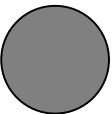
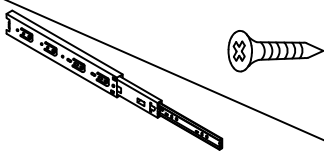
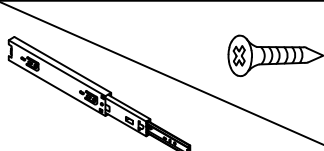
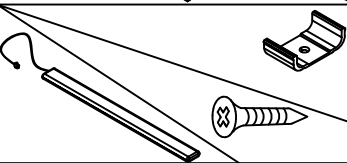
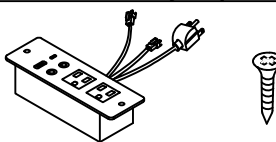
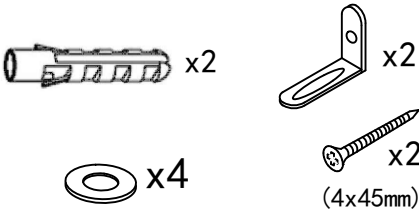
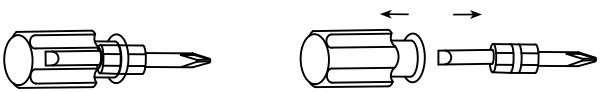



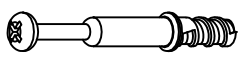
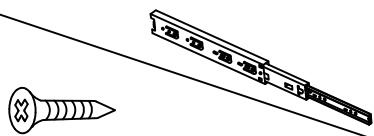
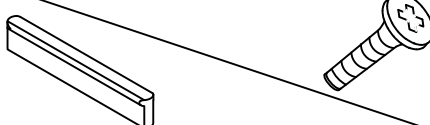
29x1

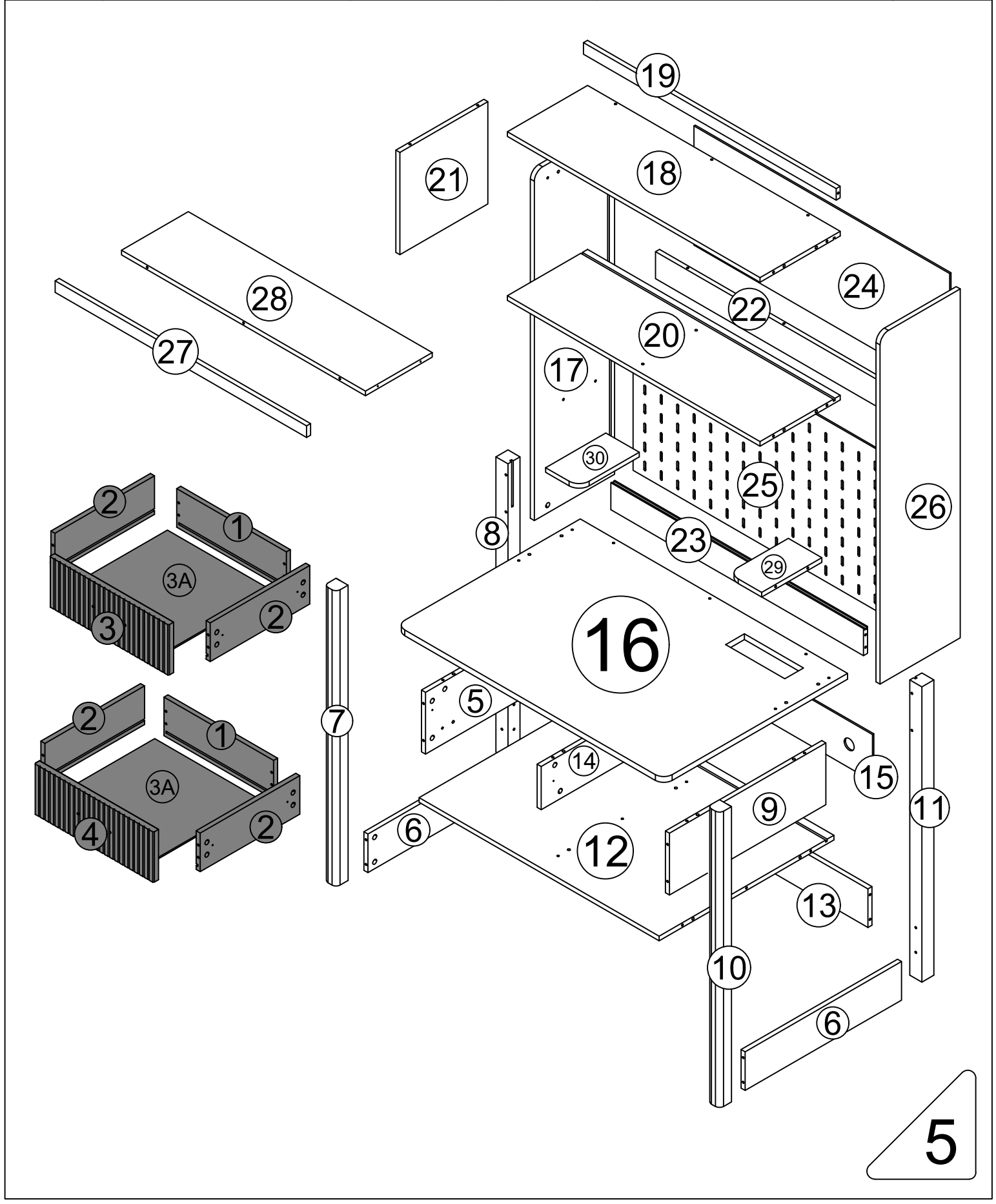


30x1

Accessories list

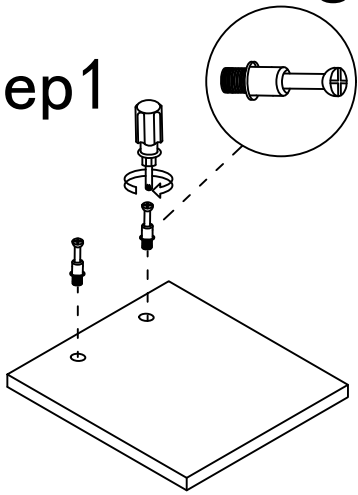
<p>A</p>		<p>Two In One Screw (6x28mm)</p>	<p>93pcs +4pcs</p>
<p>B</p>		<p>Two In One Nut (10x12mm)</p>	<p>93pcs +4pcs</p>
<p>C</p>		<p>Wood Chipping (6x30mm)</p>	<p>24pcs +2pcs</p>
<p>D</p>		<p>Handle & Screw (4x18mm)</p>	<p>4pcs +1pcs 2pcs</p>
<p>E</p>		<p>Back plate buckle & Screw (3x16mm)</p>	<p>16pcs +2pcs</p>
<p>F</p>		<p>Non-slip pads</p>	<p>4pcs +1pcs</p>
<p>G</p>		<p>Screw & Guide (12 inch) (3.5x12mm)</p>	<p>16pcs +4pcs 4pcs</p>
<p>H</p>		<p>Screw & Guide (8 inch) (3.5x12mm)</p>	<p>8pcs +4pcs 2pcs</p>
<p>I</p>		<p>Buckle light & Screw & Snap fastener (3.5x12mm)</p>	<p>2pcs 2pcs +1pcs 1pcs</p>
<p>J</p>		<p>Power Socket & Screw (3.5x12mm)</p>	<p>2pcs +1pcs 1pcs</p>
<p>K</p>	 <p>(3.5x14mm) x2</p> <p>x4</p> <p>x2</p> <p>x2</p> <p>(4x45mm)</p>	 <p>1pcs</p> <p>Double-head screwdriver, use as required</p>	

 <p>A</p>	 <p>B</p>	<p>16pcs</p>	 <p>G</p>	 <p>D</p>	<p>4pcs 8pcs</p>
		<p>16pcs</p>			<p>4pcs 2pcs</p>

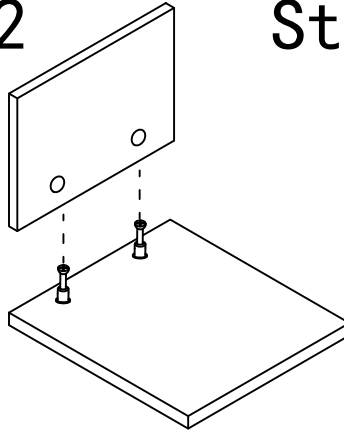


Use parts (A) and (B)

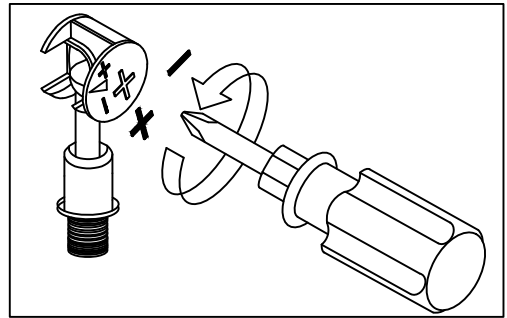
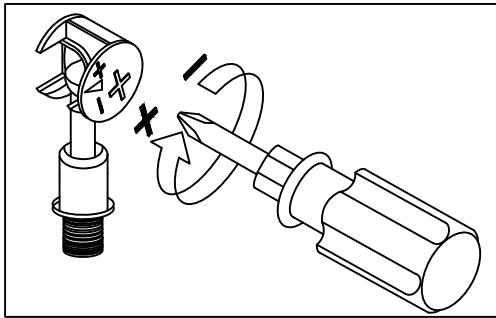
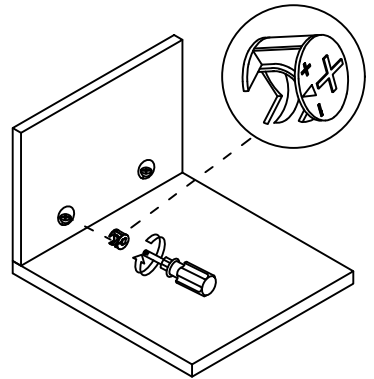
Step1



Step2



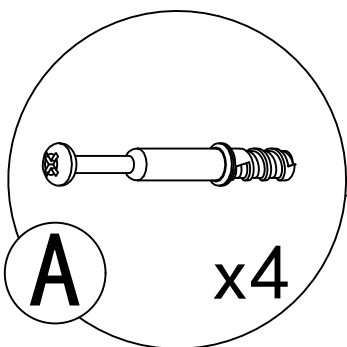
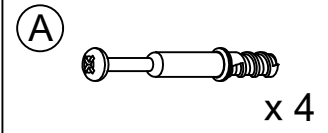
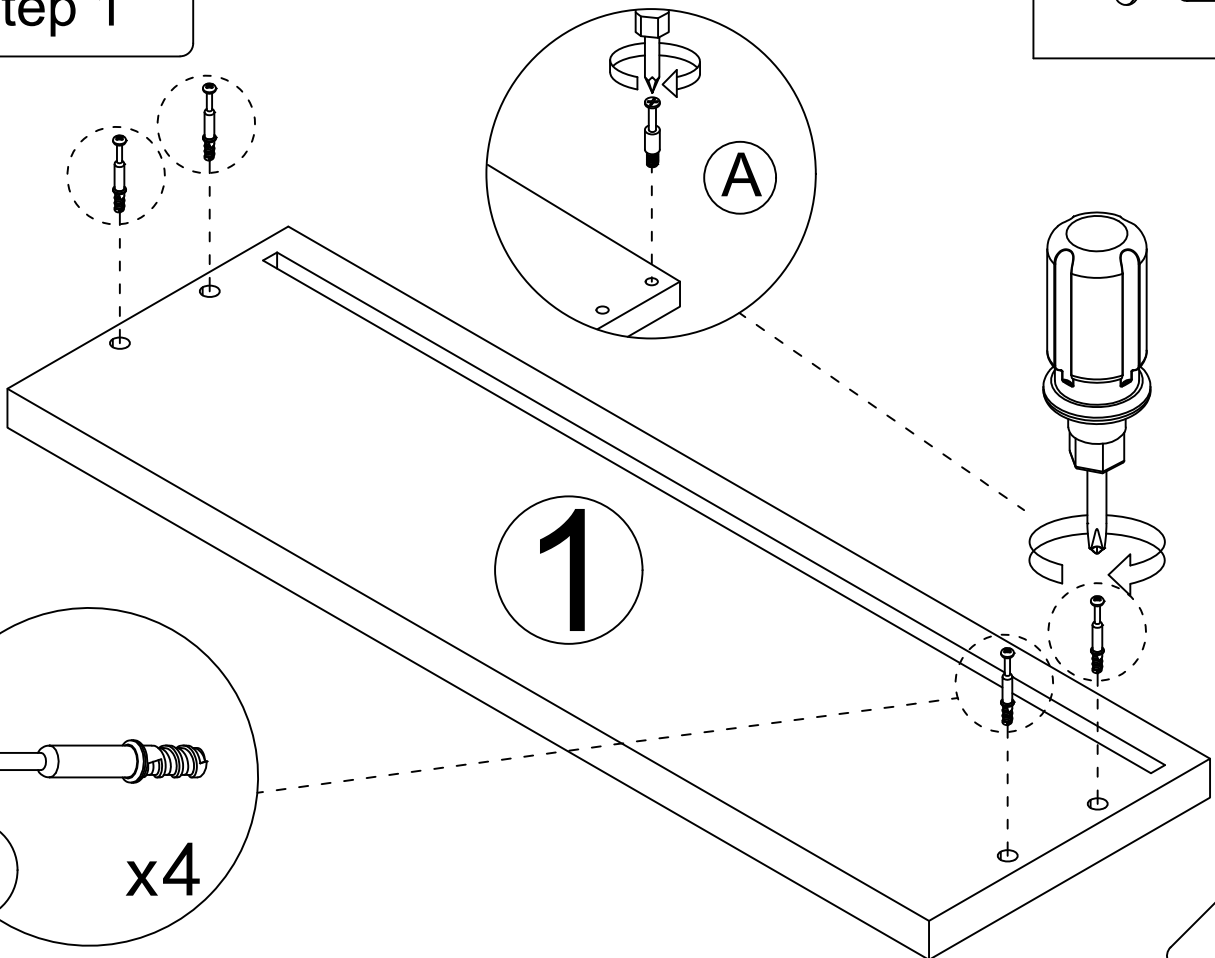
Step3



Use a screwdriver to lock in the direction of the "+" sign

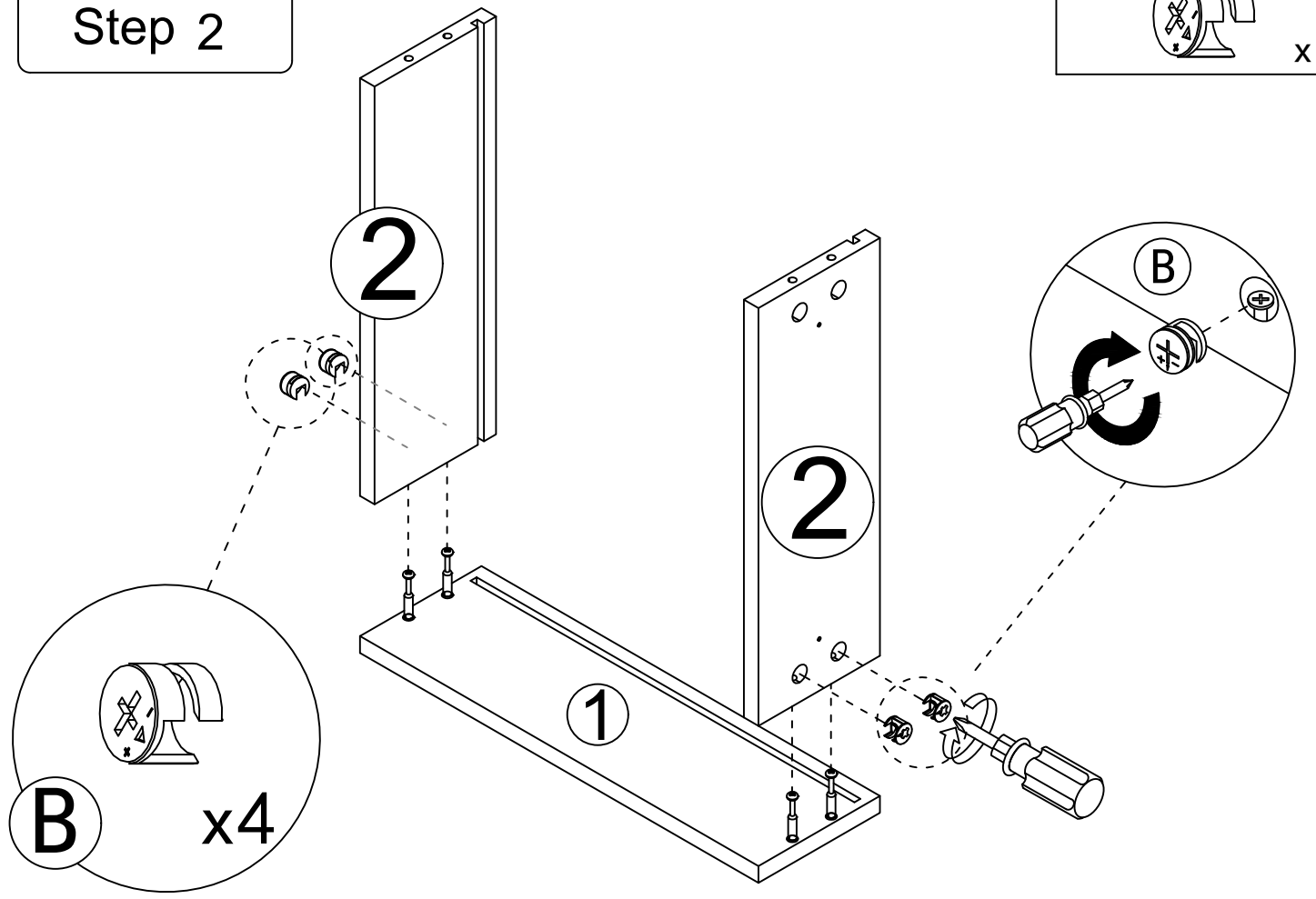
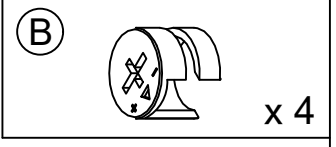
Disassemble along the direction of "-" sign

Step 1

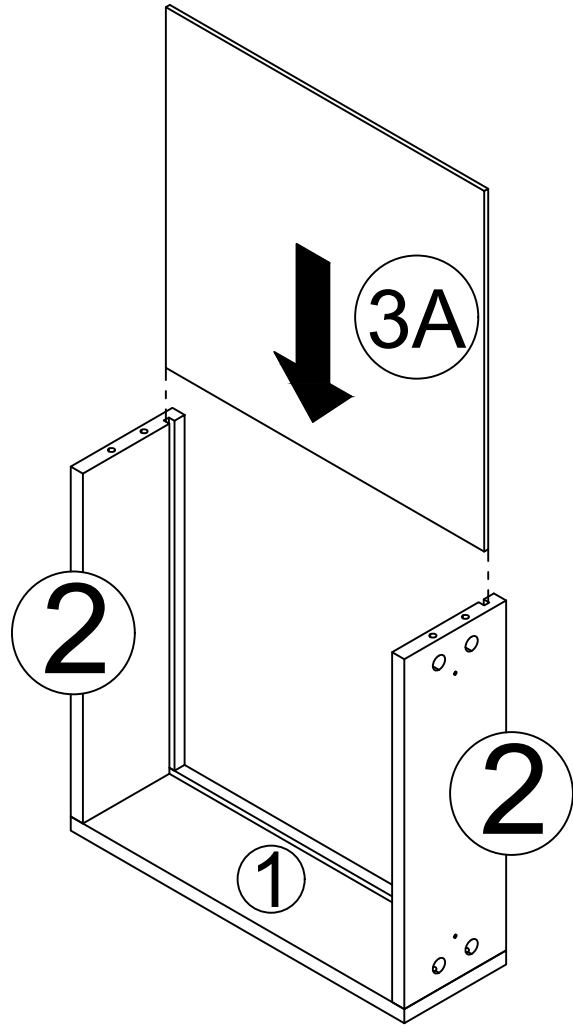


6

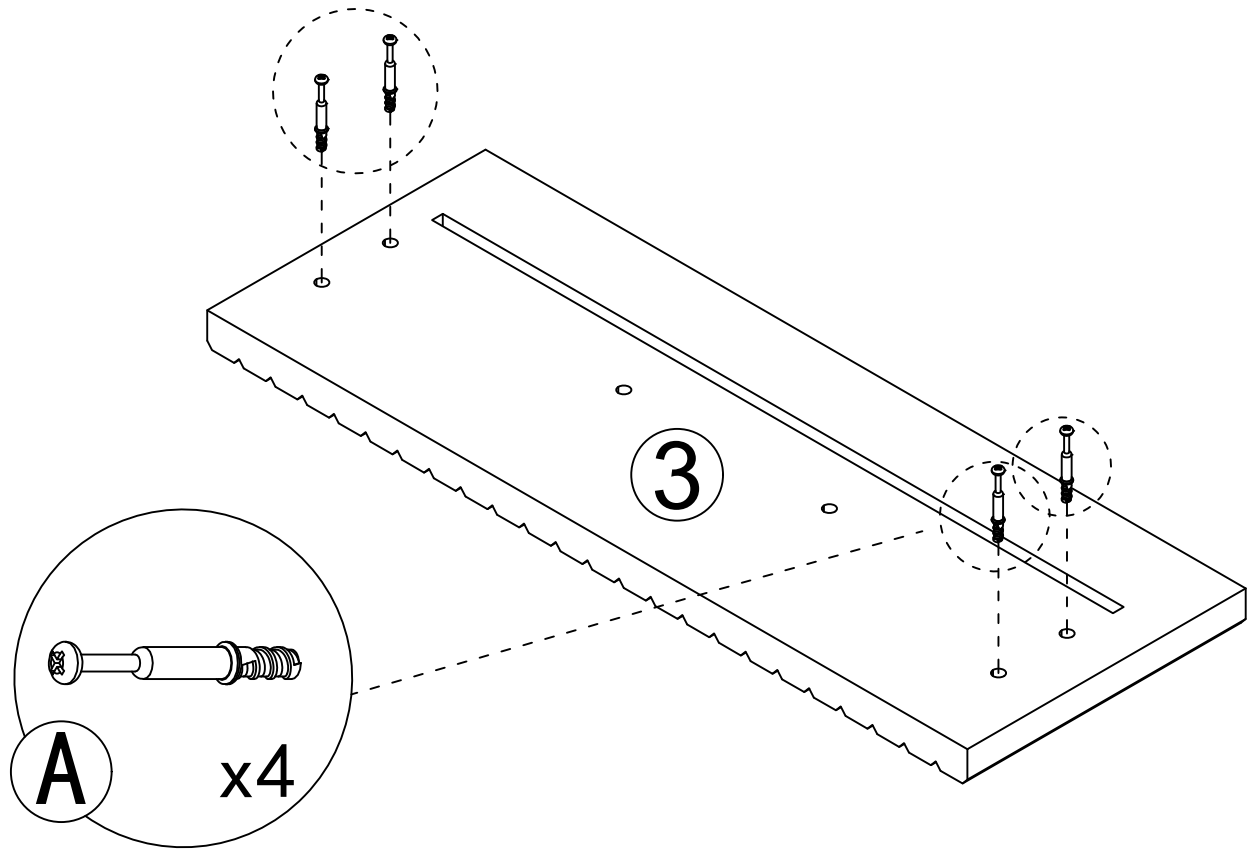
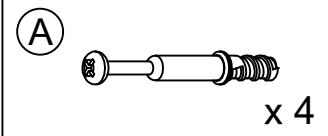
Step 2



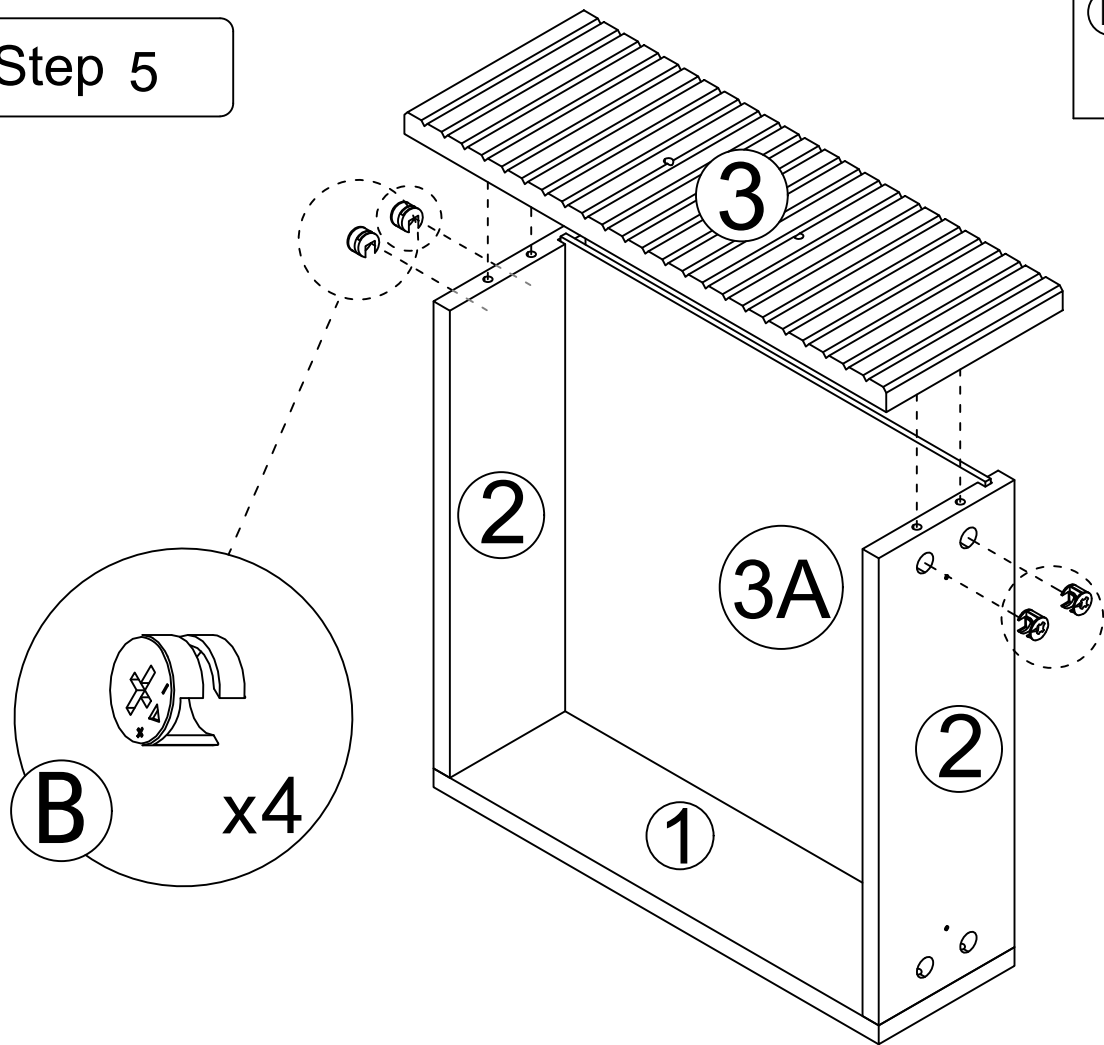
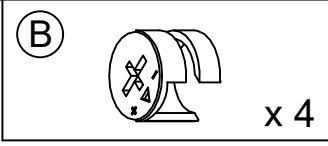
Step 3



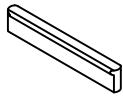

Step 4

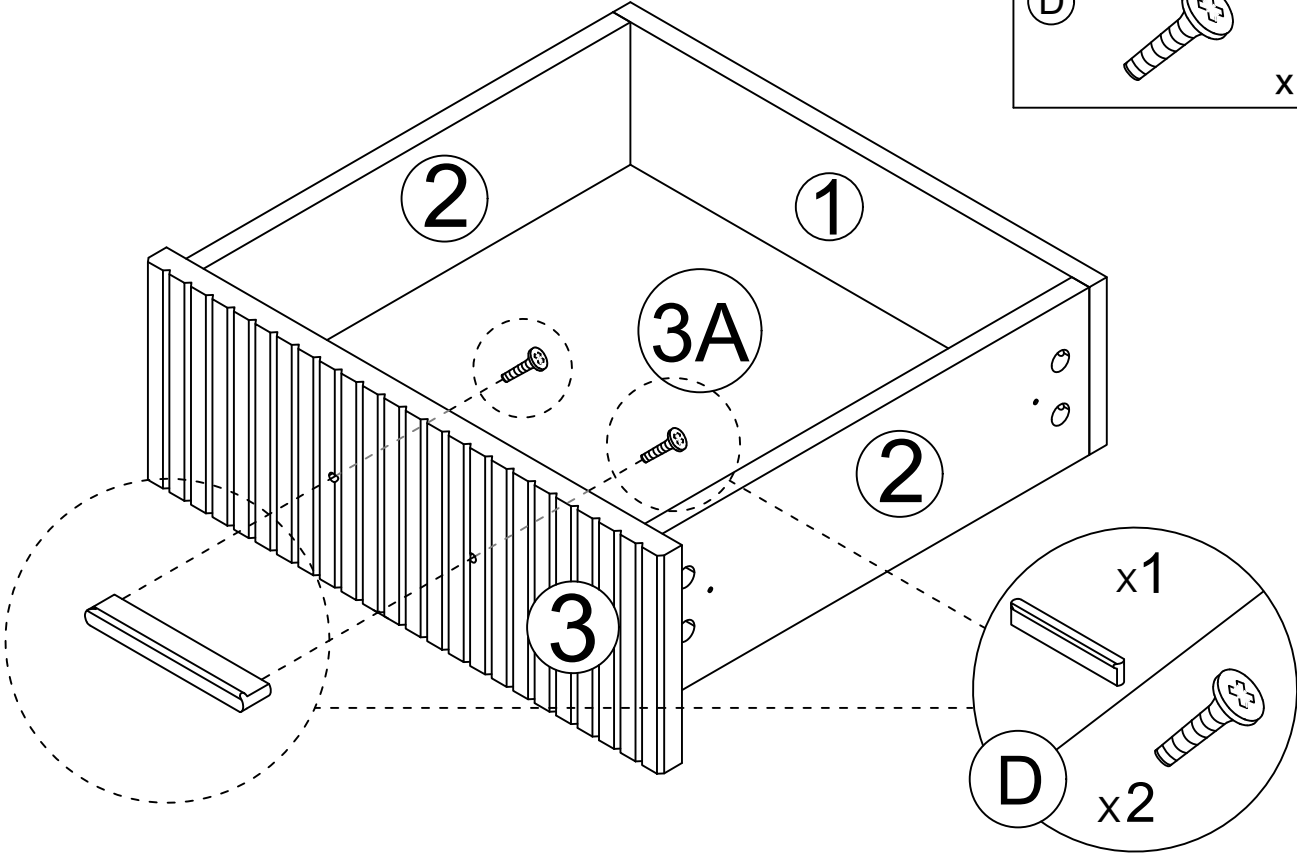


Step 5

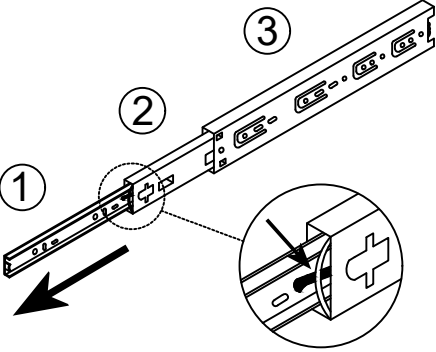


Step 6

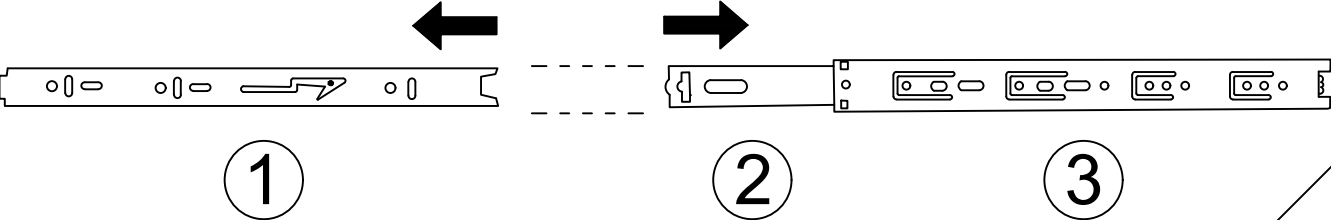
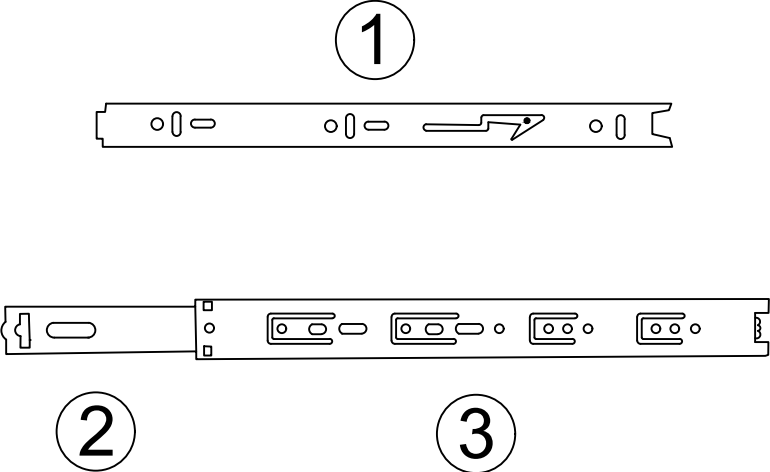
- (D)  x 1
- (D)  x 2



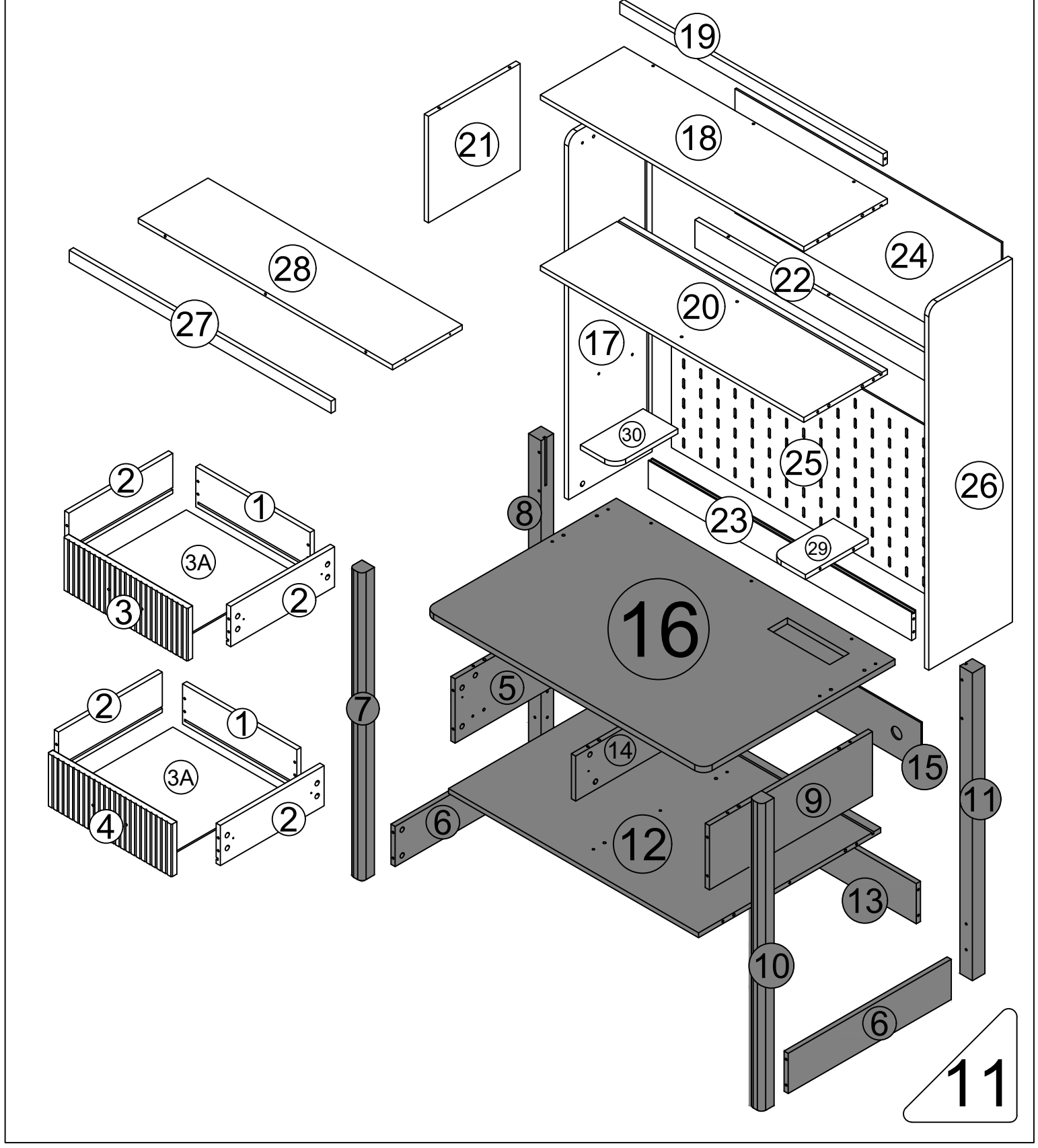
Drawer rail breakdown diagram



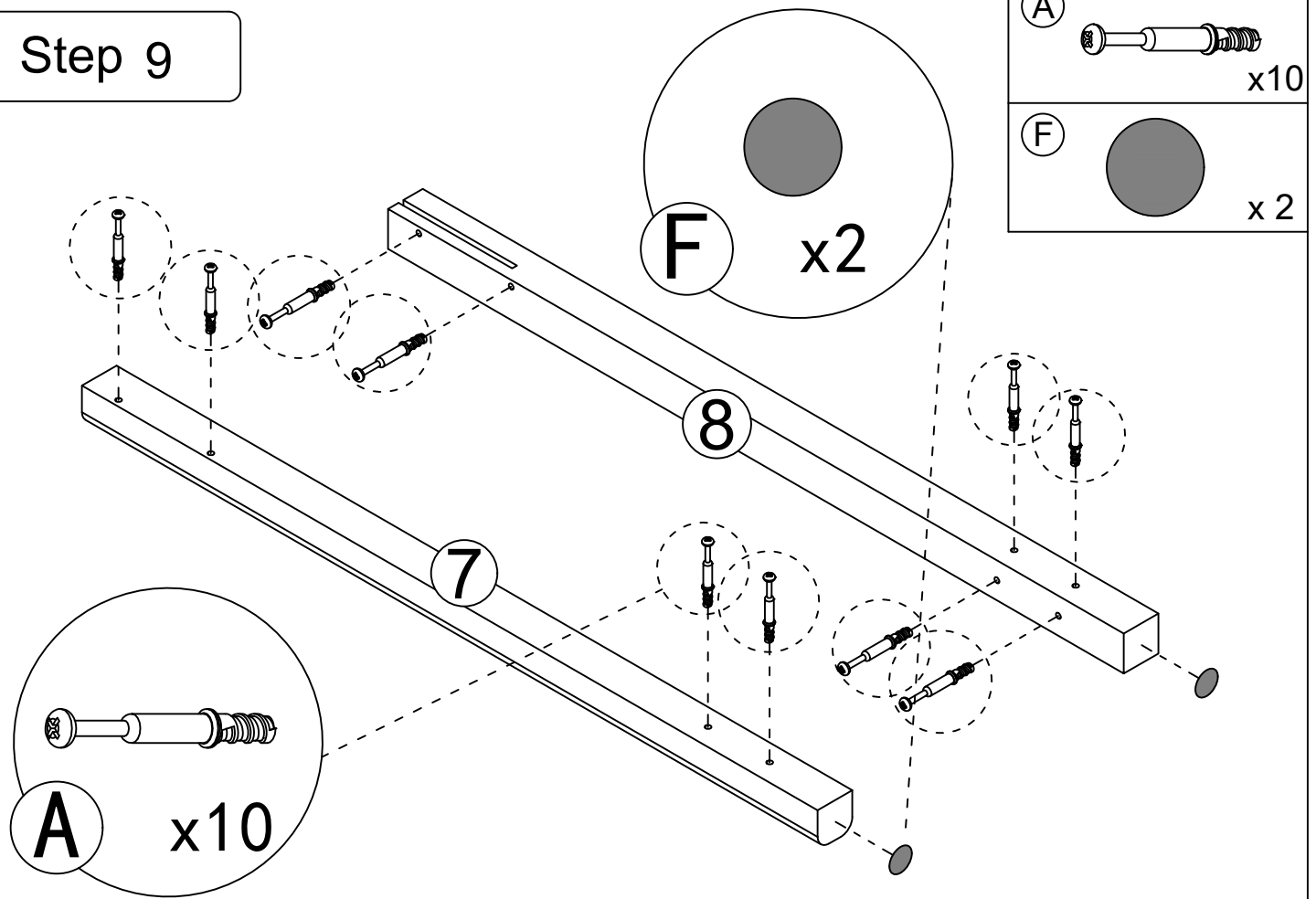
Step 1 : Pull the rails apart
 Step 2 : Push the nylon buckle outward ①



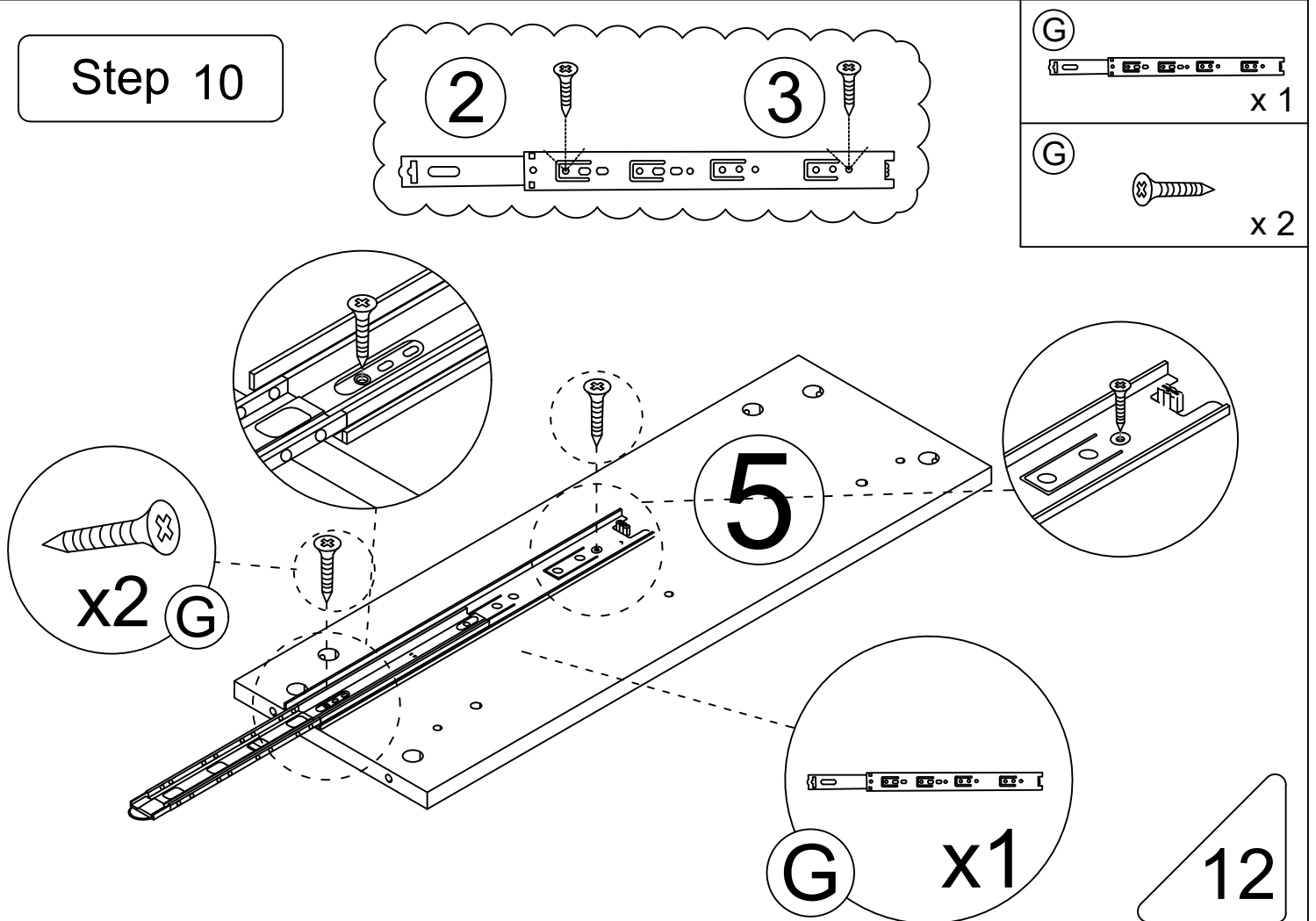
A		42pcs	G		4pcs 8pcs
B		35pcs	C		16pcs
I		2pcs 1pcs	F		4pcs



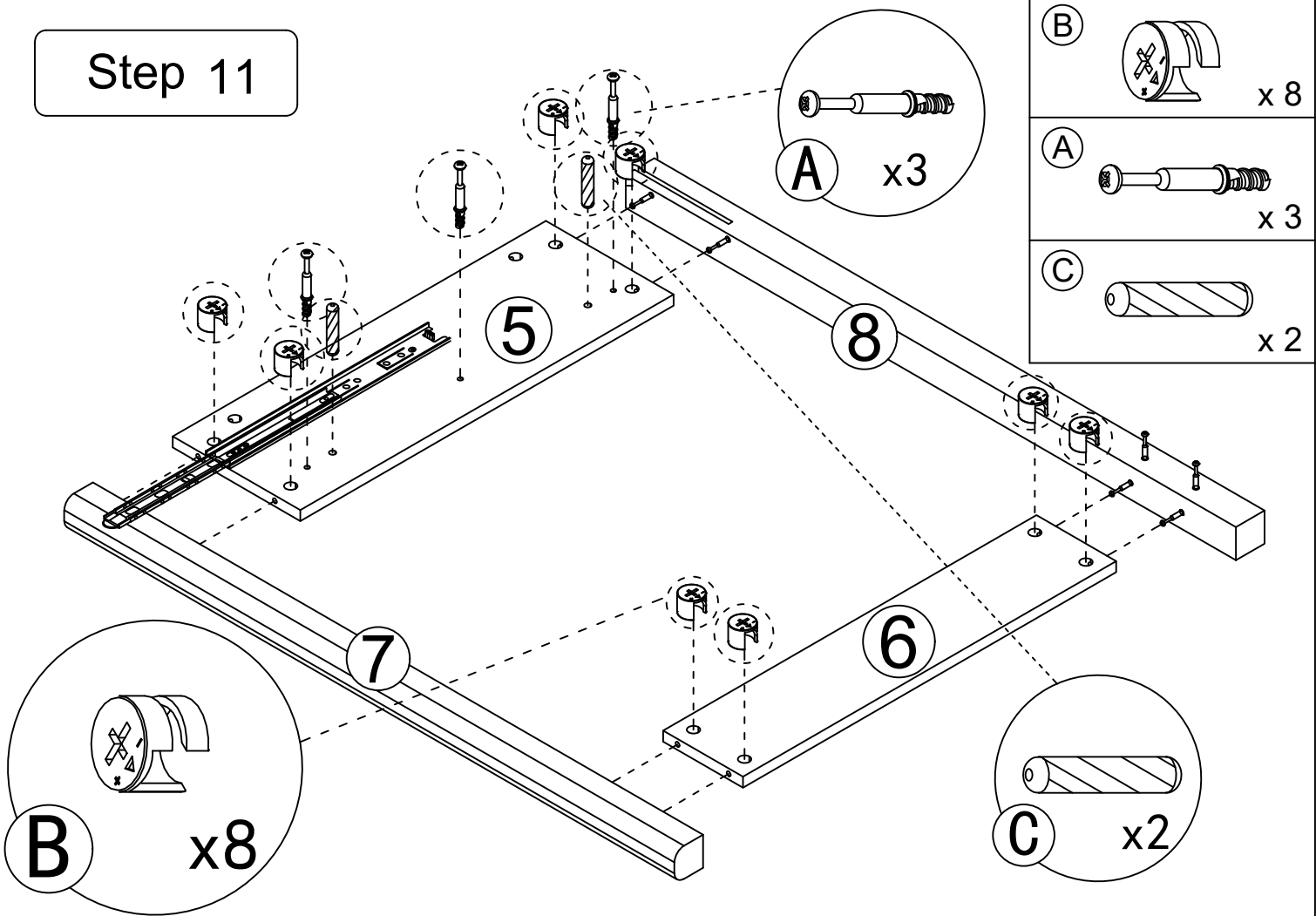
Step 9



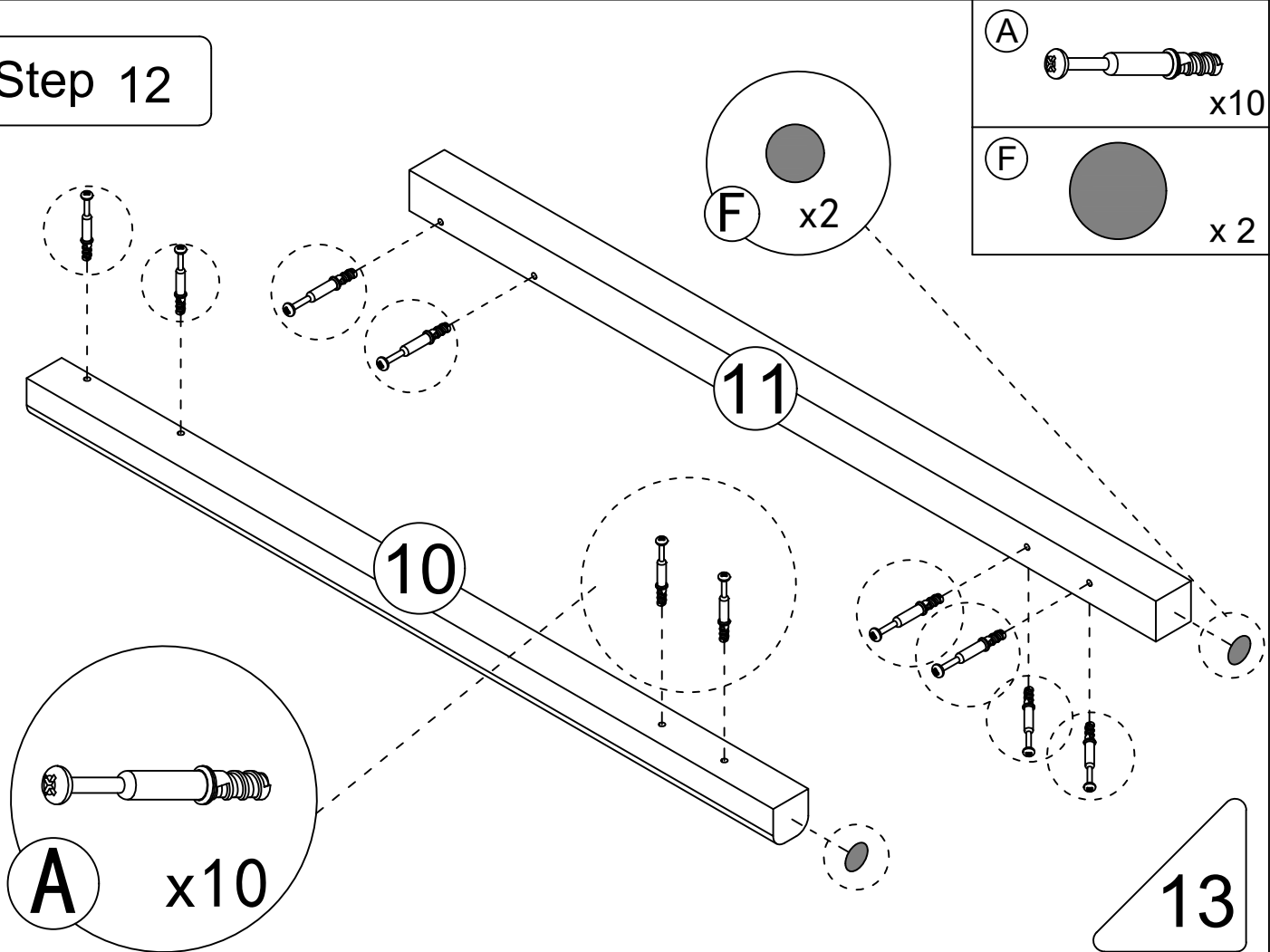
Step 10



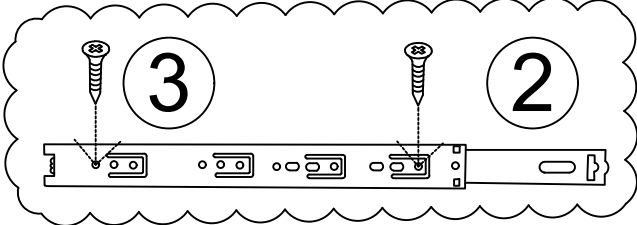
Step 11


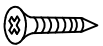


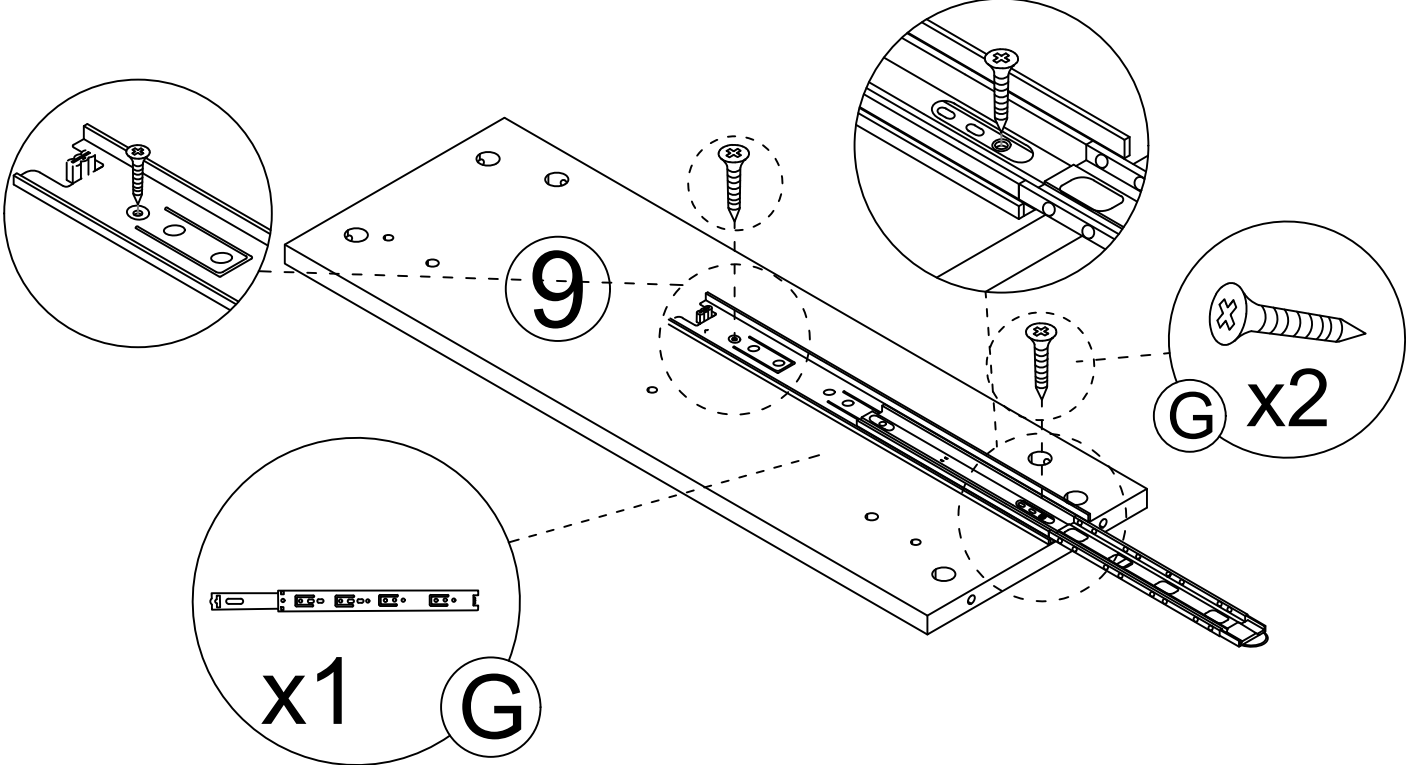
Step 12



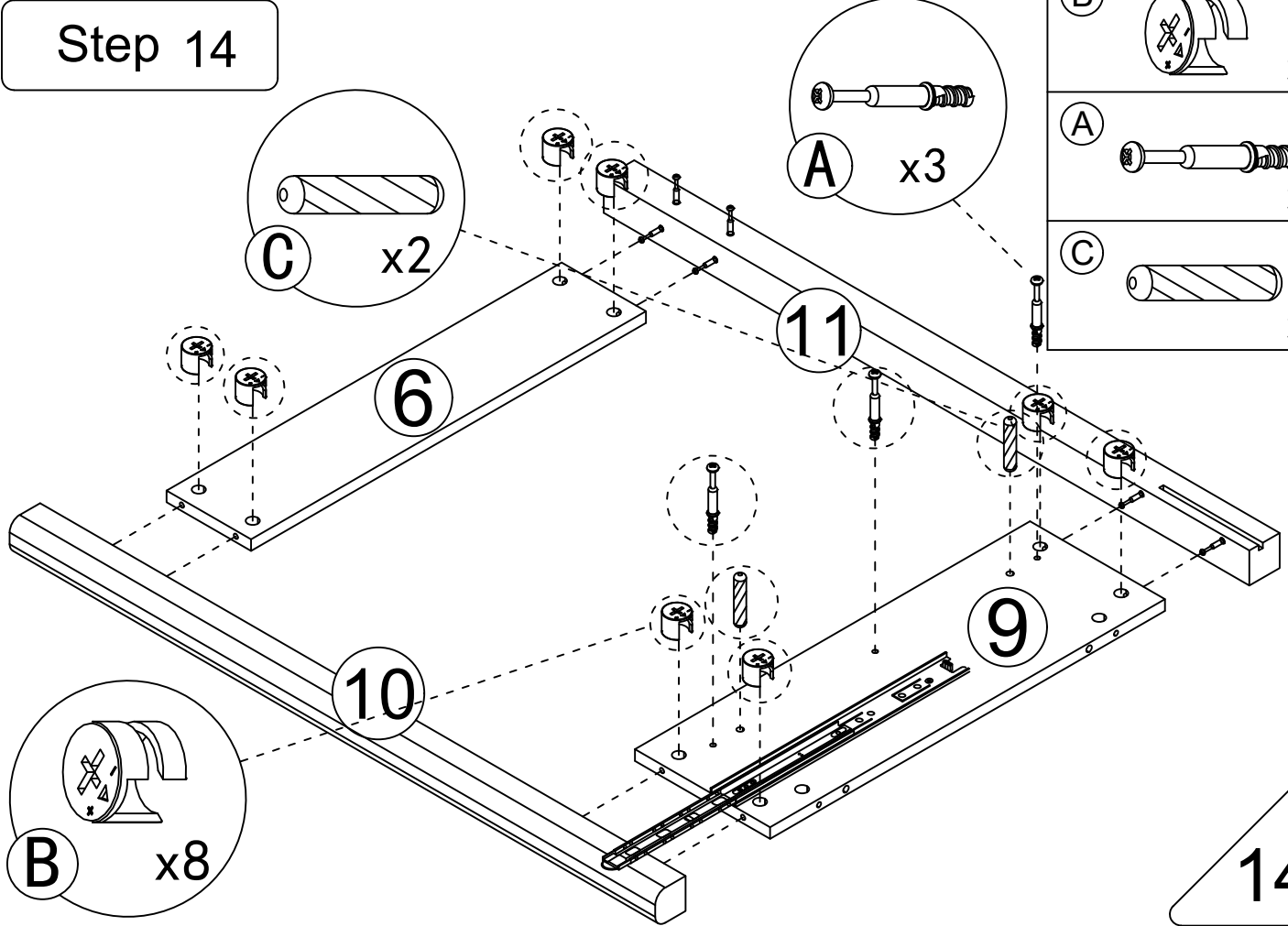
Step 13


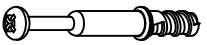
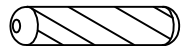


- G  x 1
- G  x 2

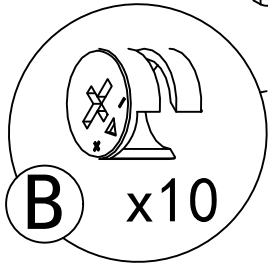
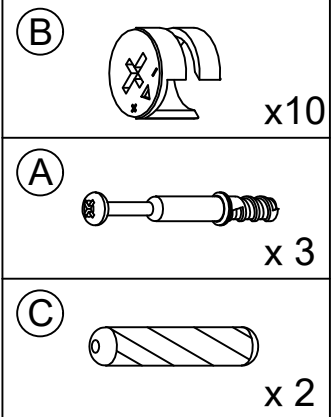
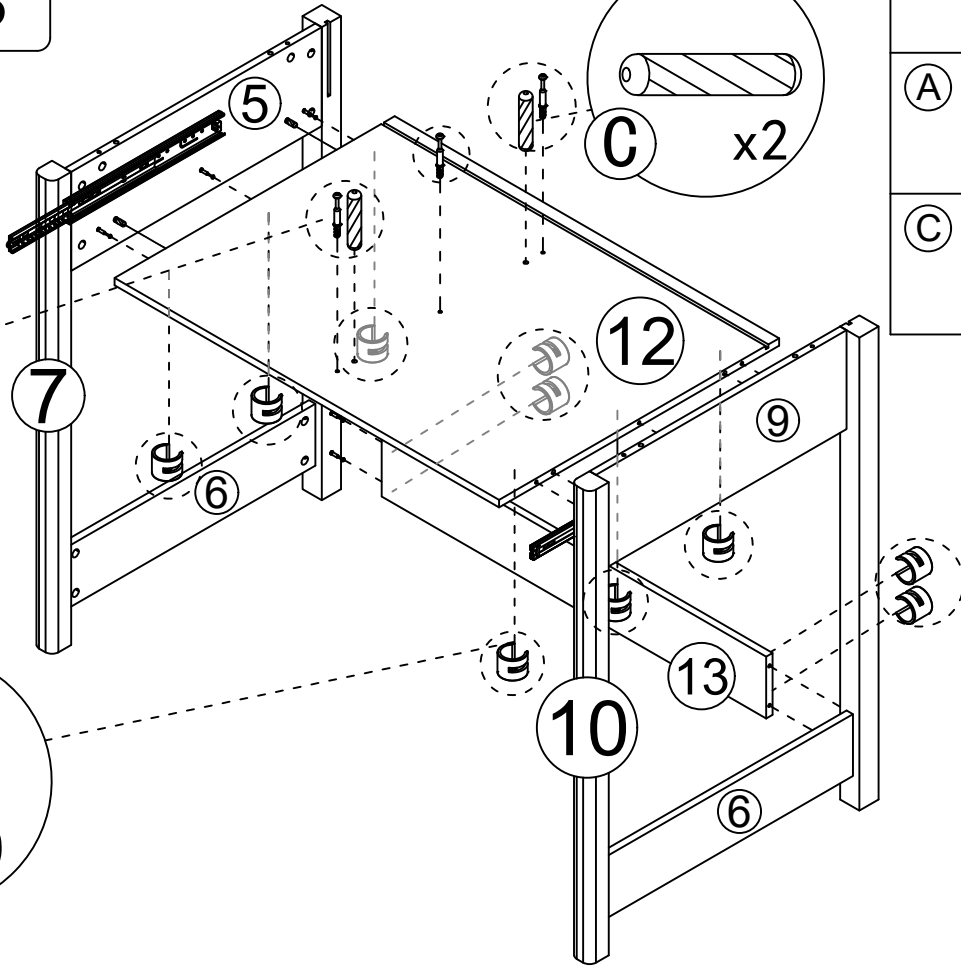
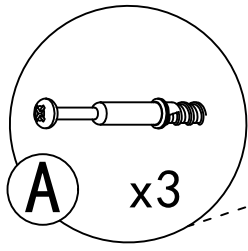


Step 14

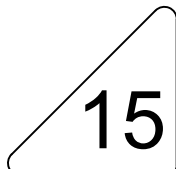
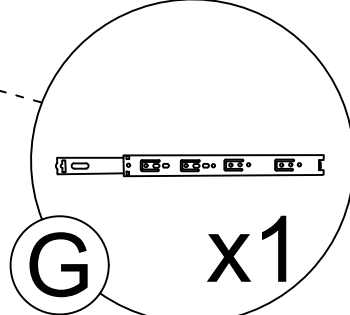
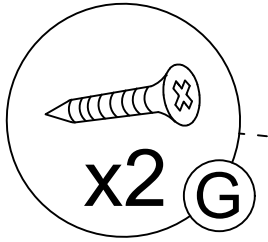
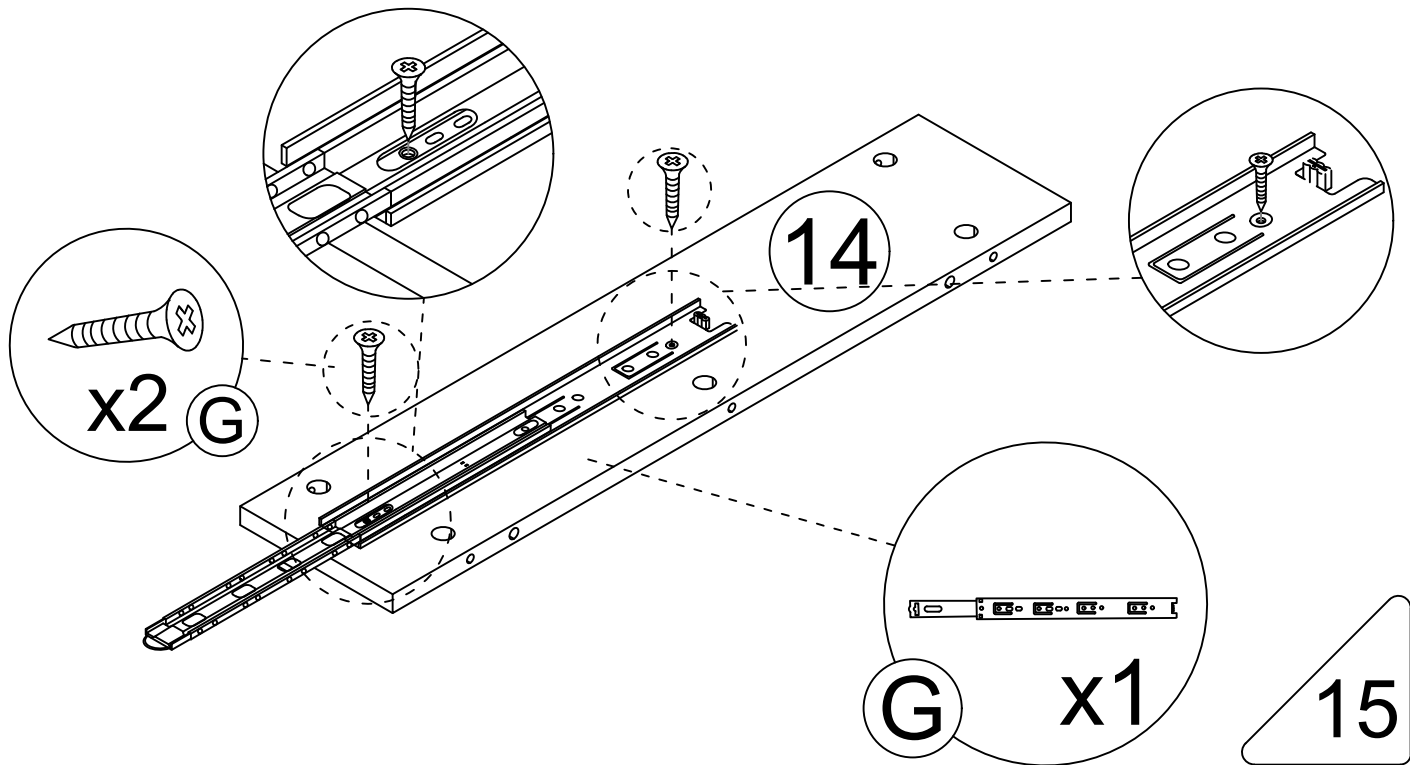
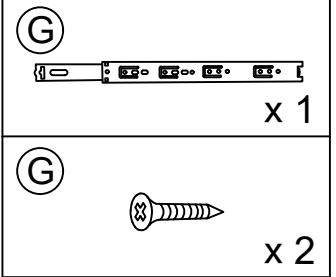
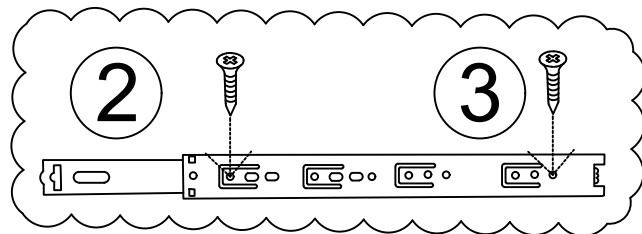


- B  x 8
- A  x 3
- C  x 2

Step 15

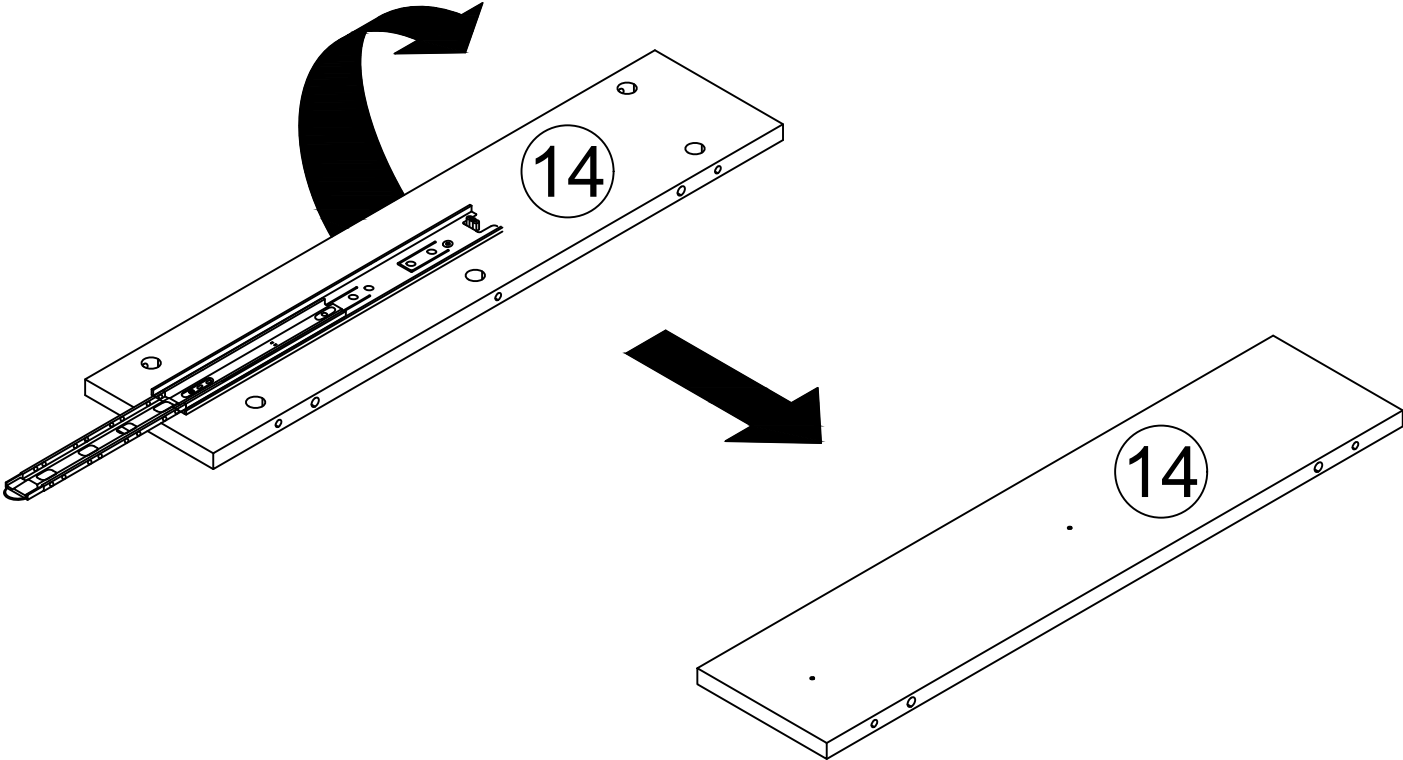


Step 16

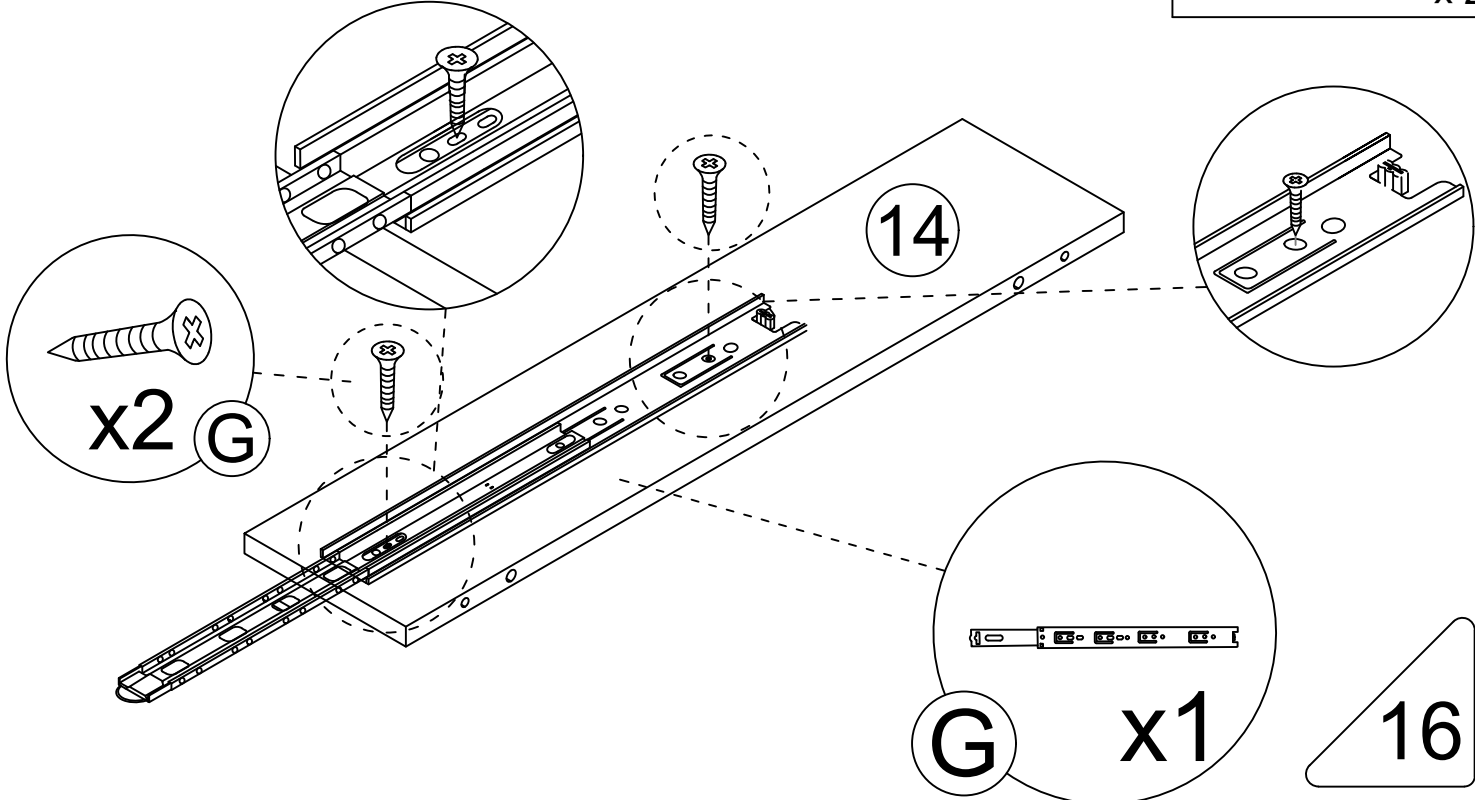
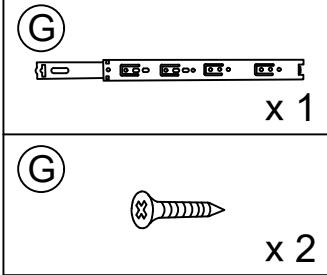
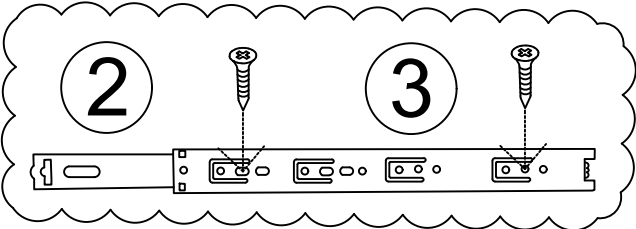


Step 17

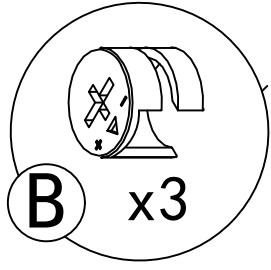
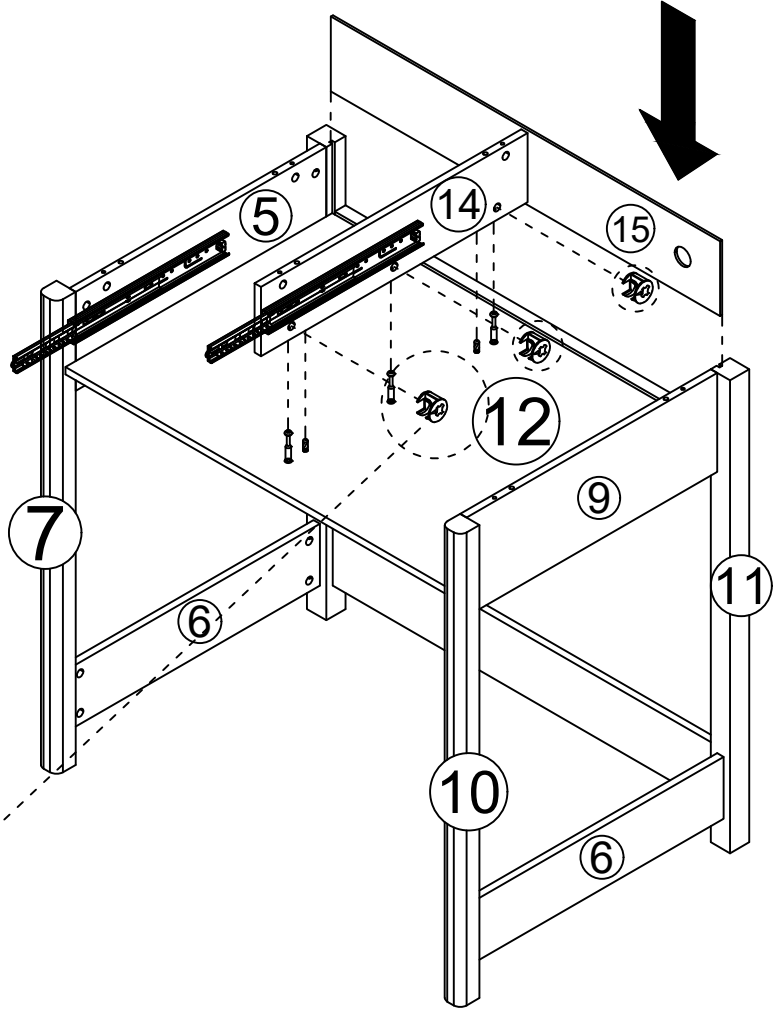
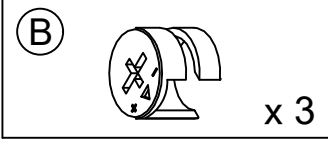
Flip it over



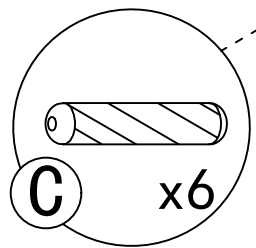
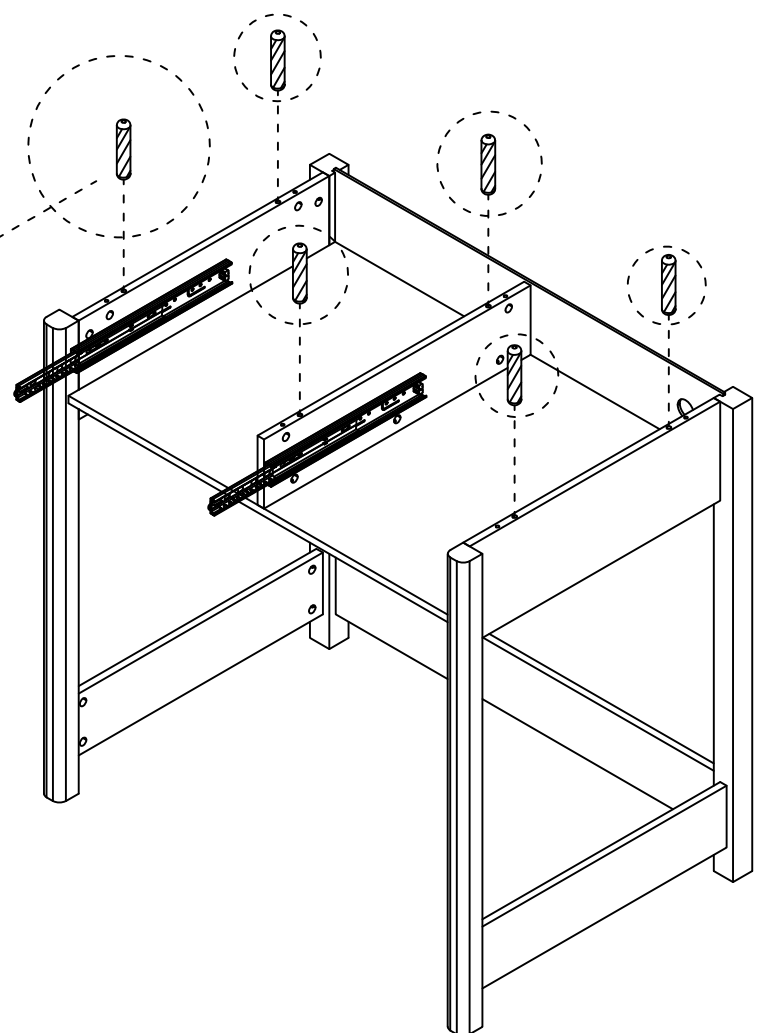
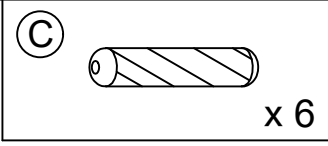
Step 18



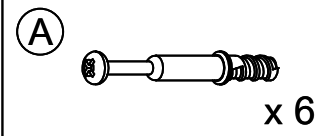
Step 19



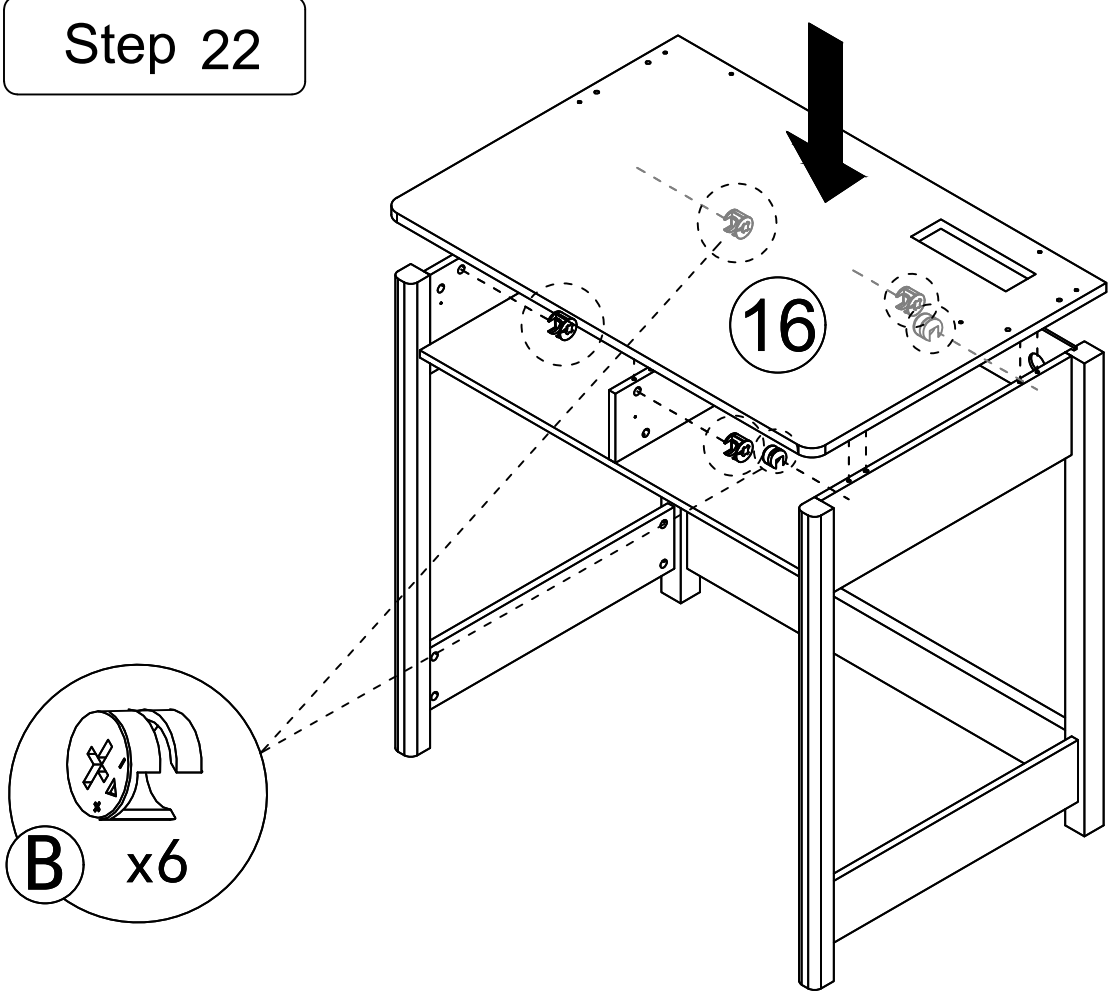
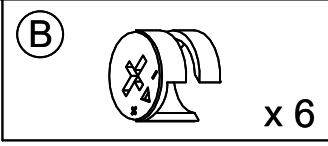
Step 20



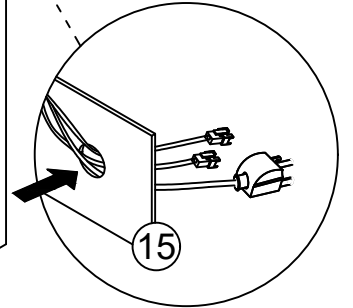
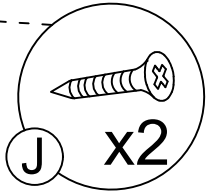
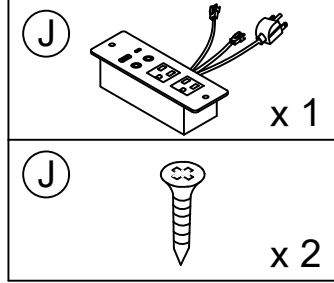
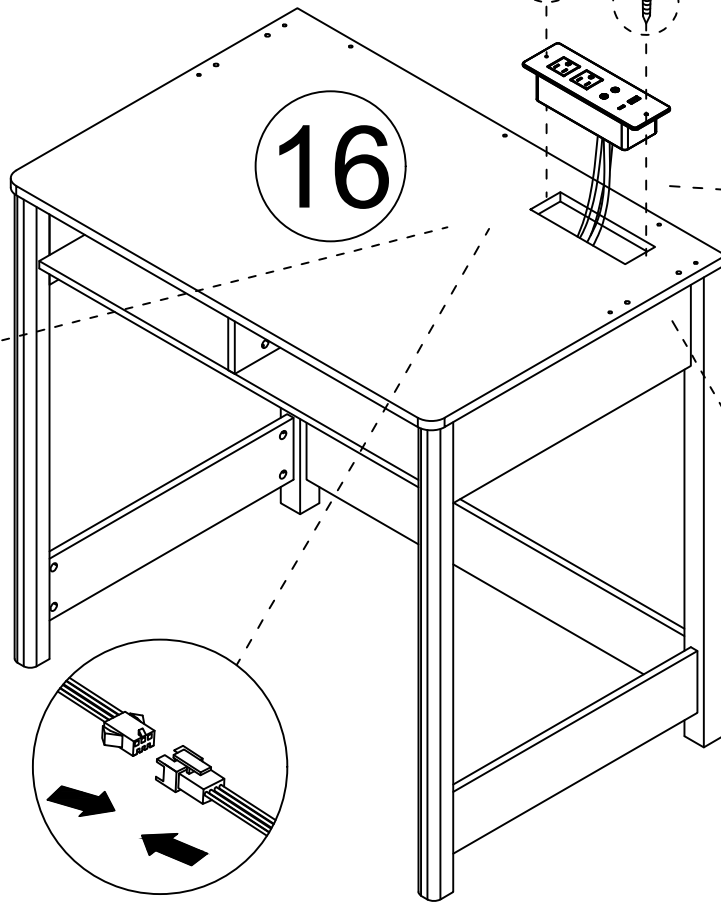
Step 21



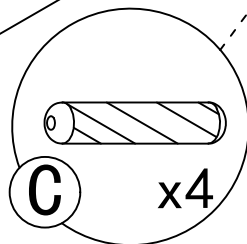
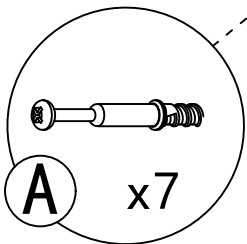
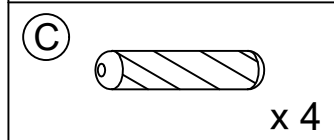
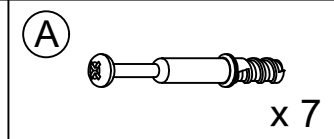
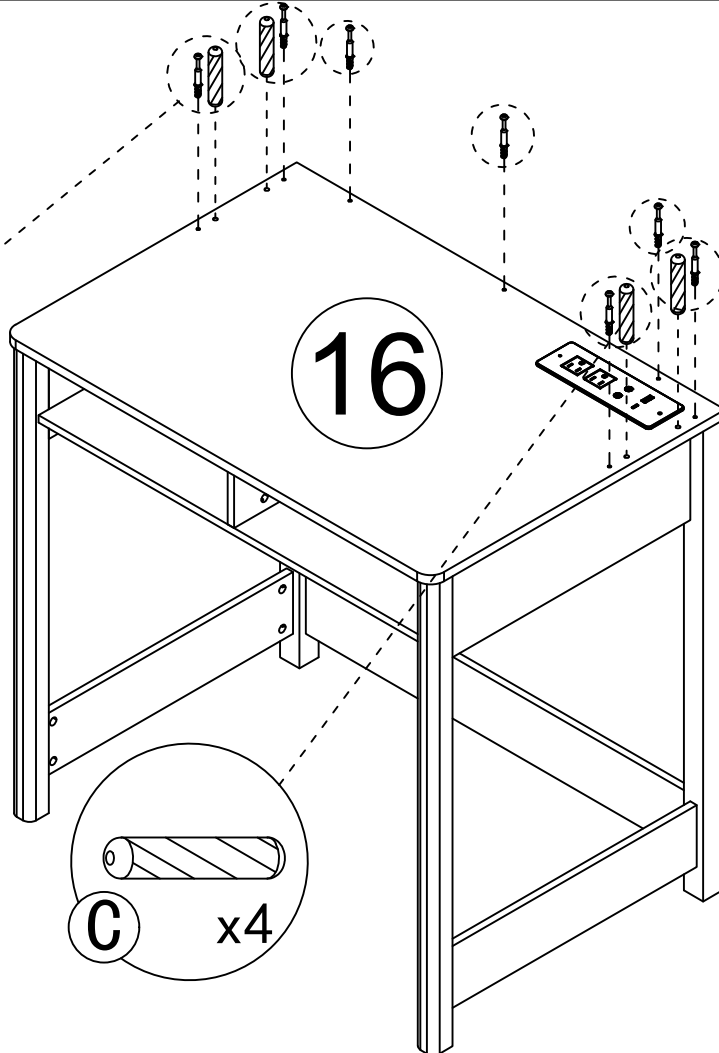
Step 22

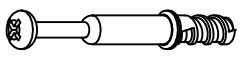
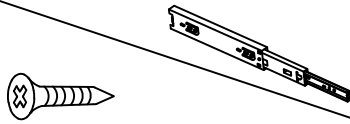

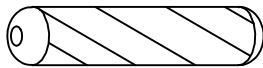
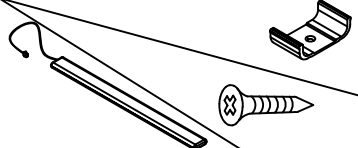
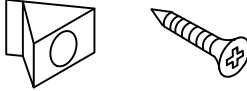


Step 23




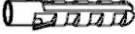
Step 24

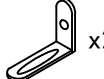



A		35pcs	H		2pcs 8pcs
B		42pcs	C		8pcs
I		1pcs 2pcs 2pcs	E		16pcs


K

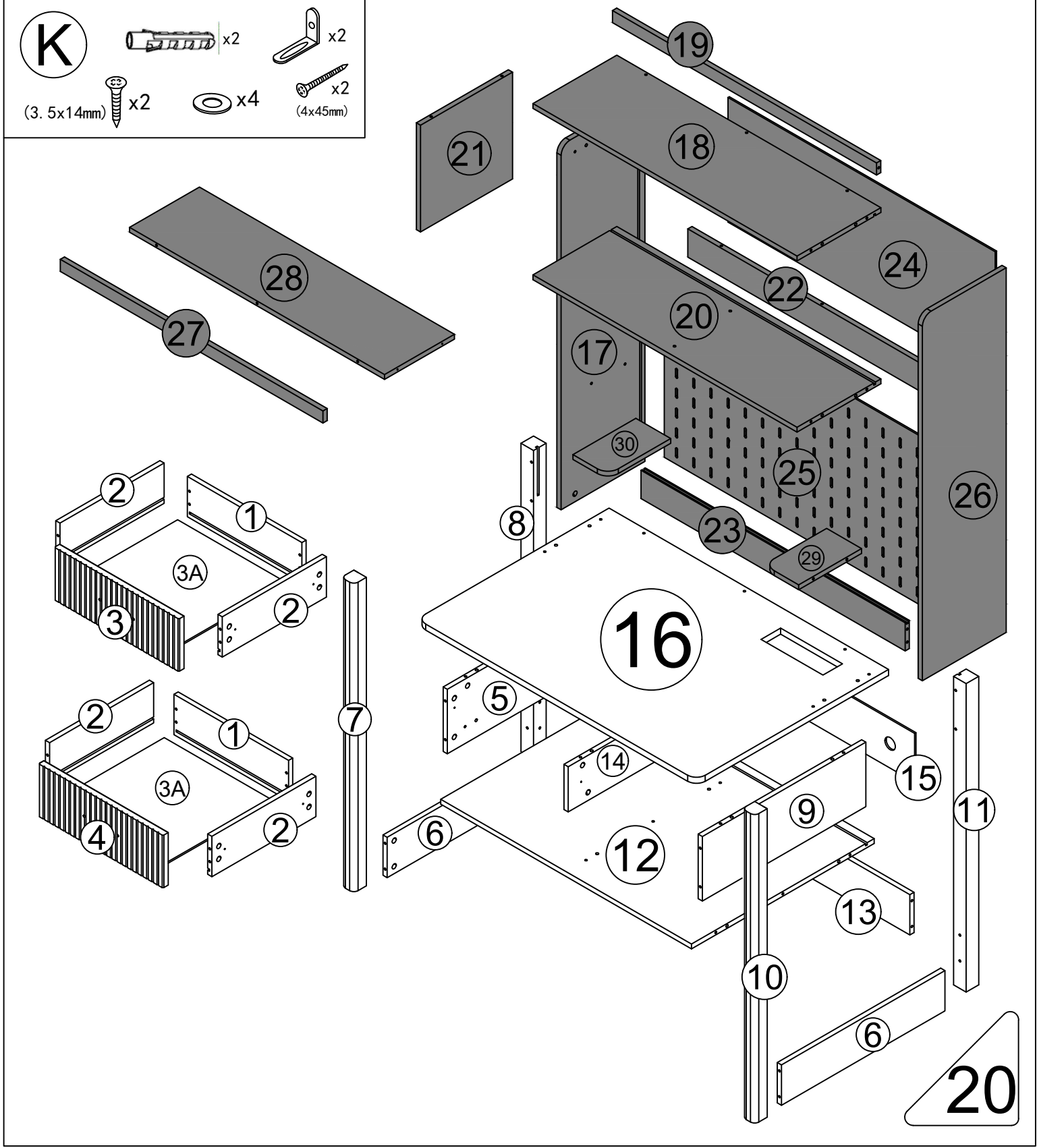
 x2
(3.5x14mm)

 x2

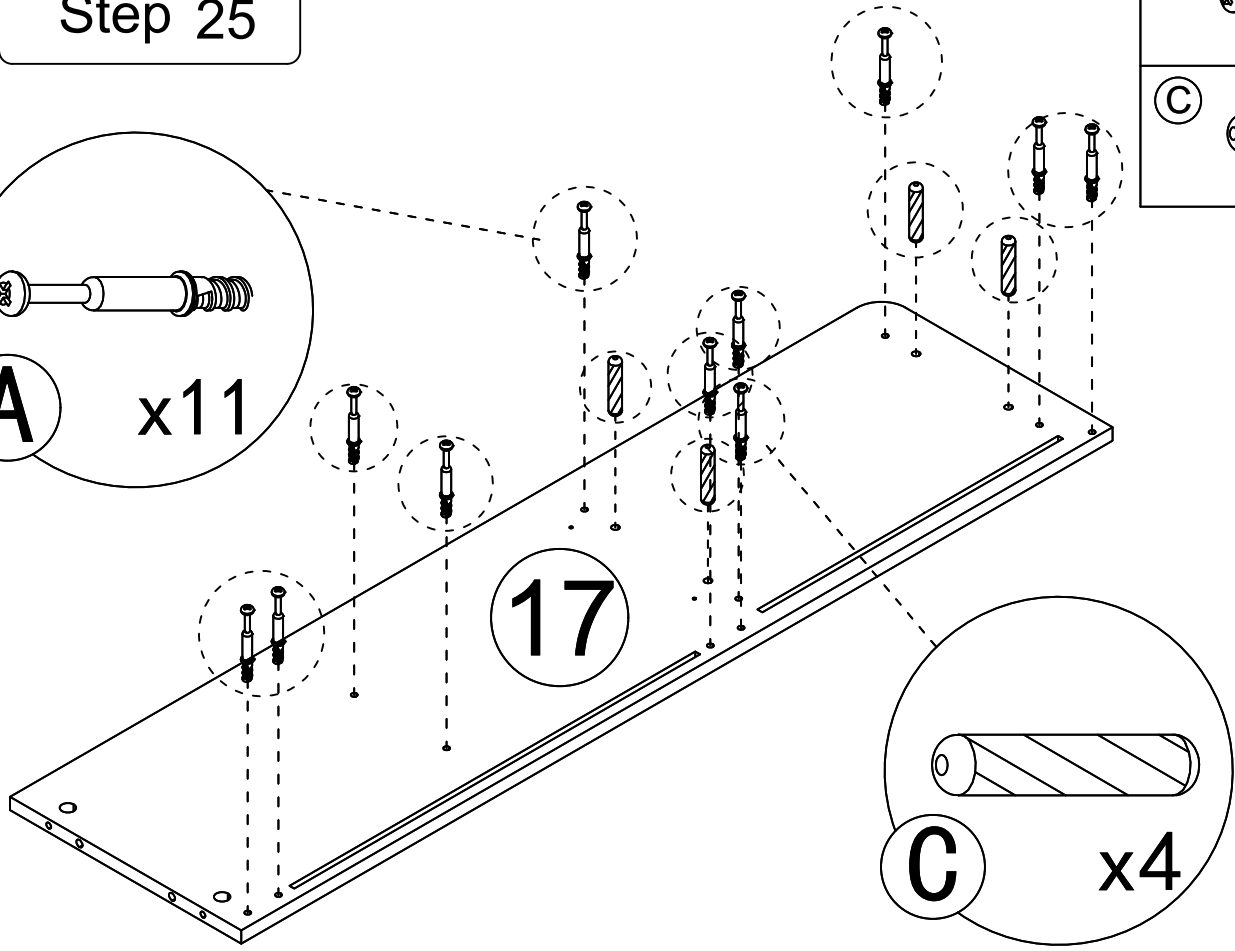
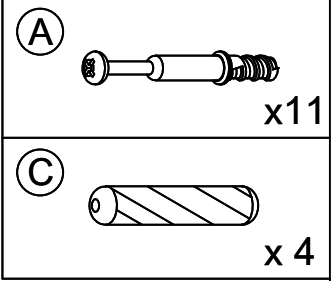
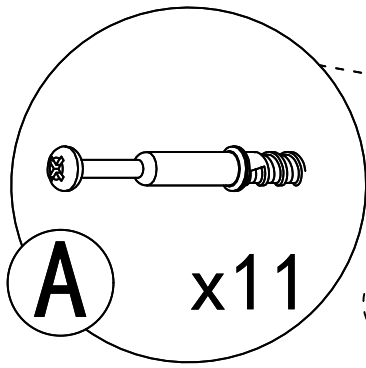
 x2

 x4

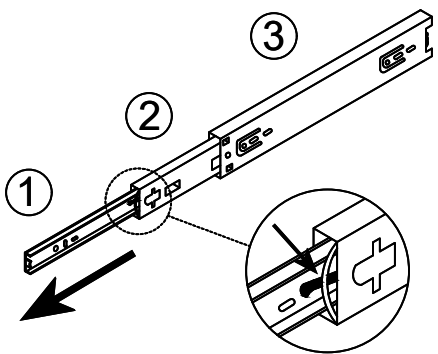
 x2
(4x45mm)



Step 25

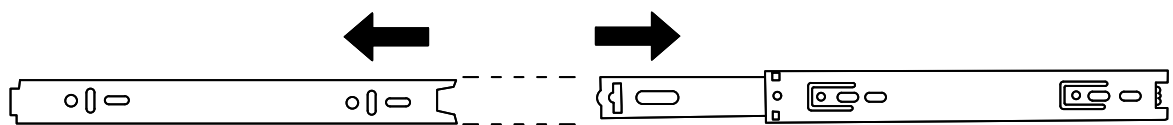
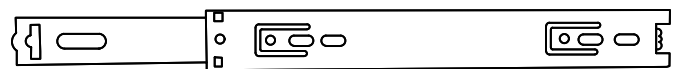
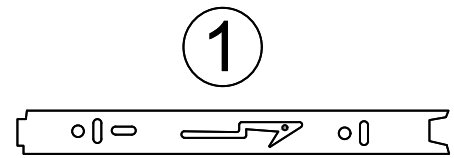


Drawer rail breakdown diagram



Step 1 : Pull the rails apart

Step 2 : Push the nylon buckle outward ①

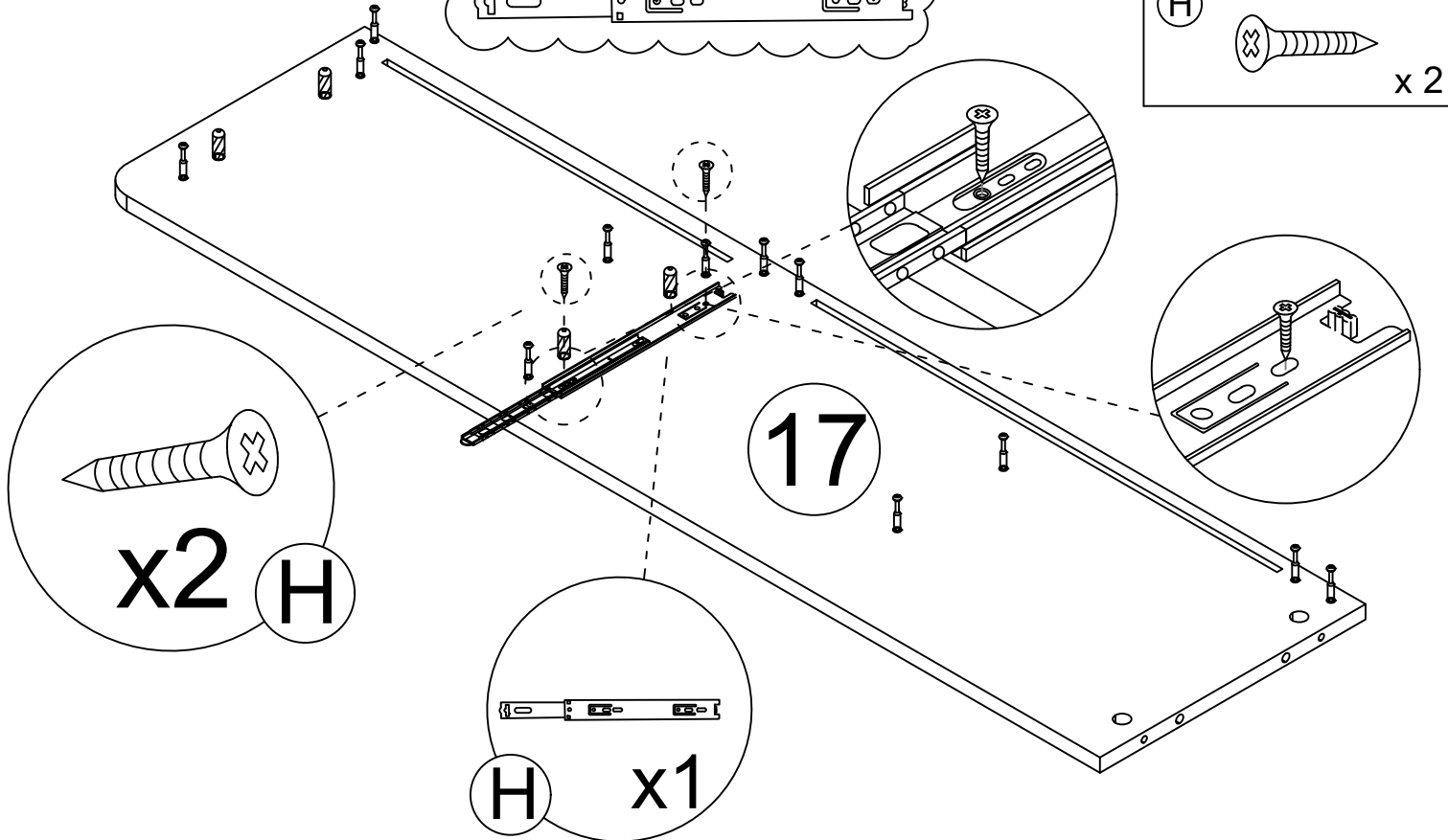
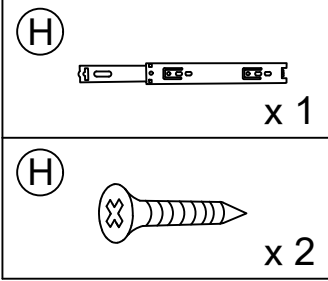
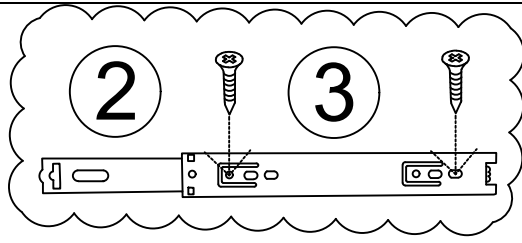


①

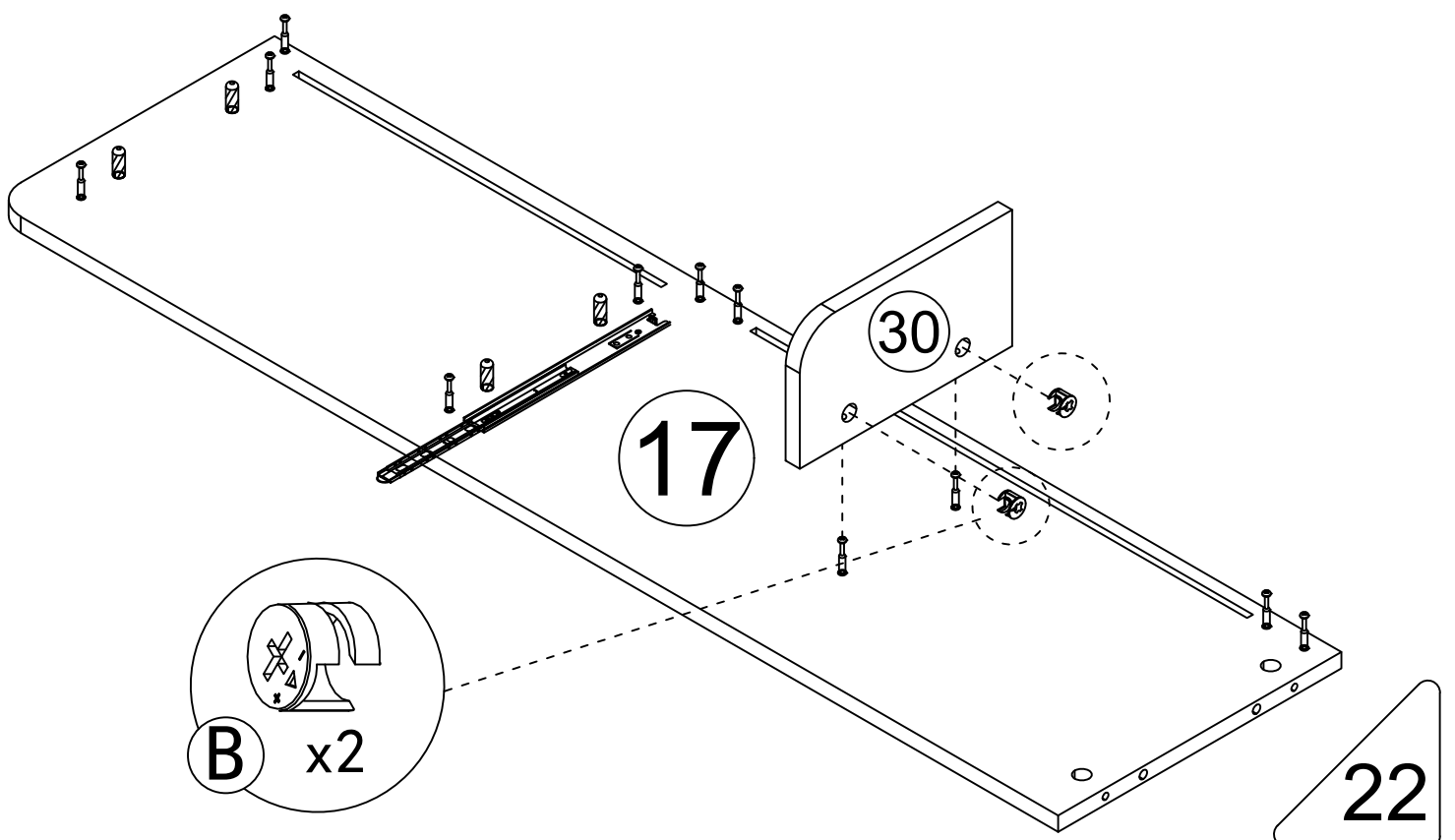
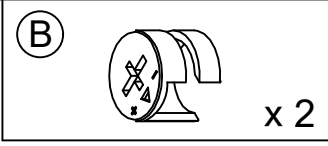
②

③

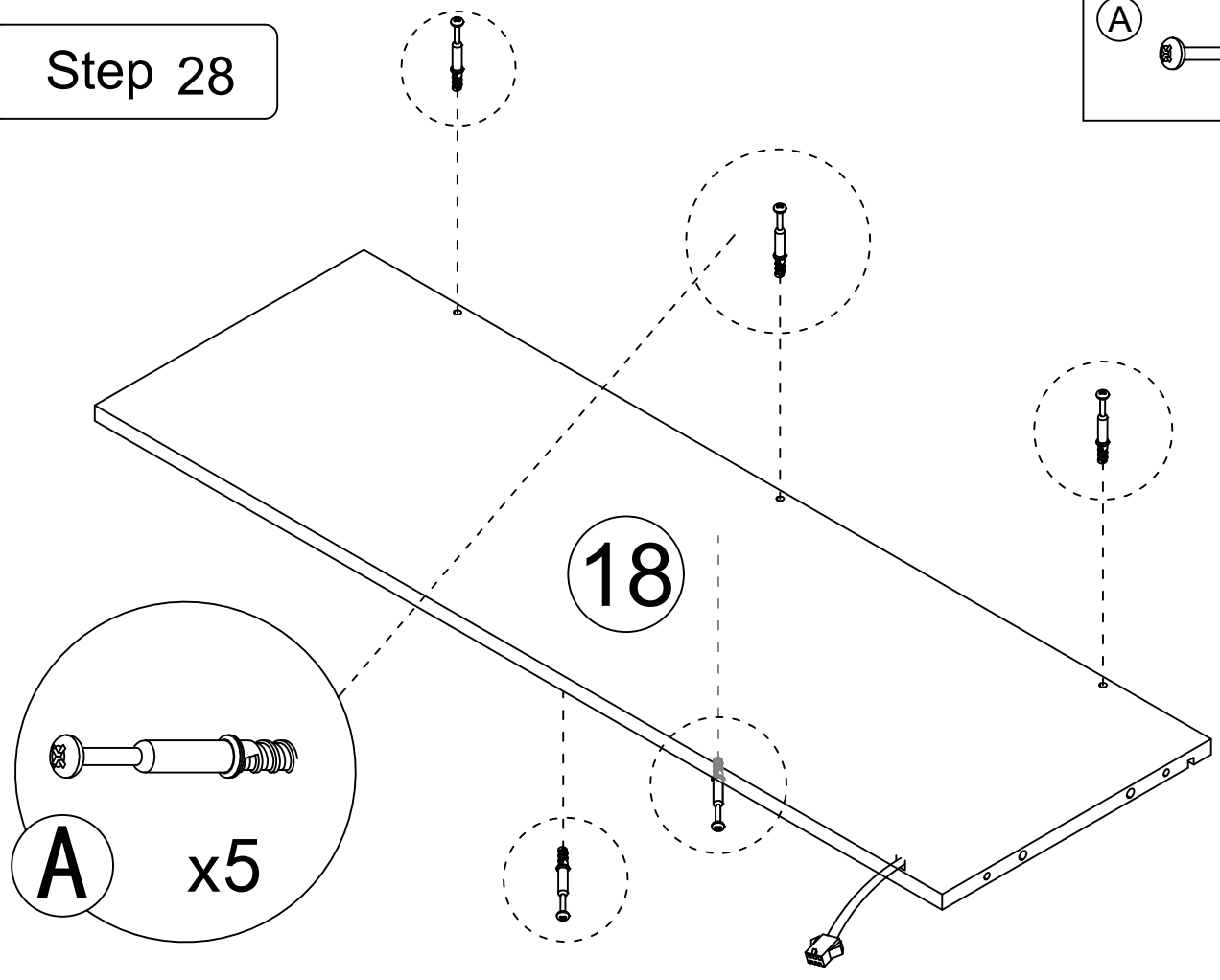
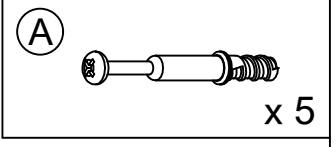
Step 26



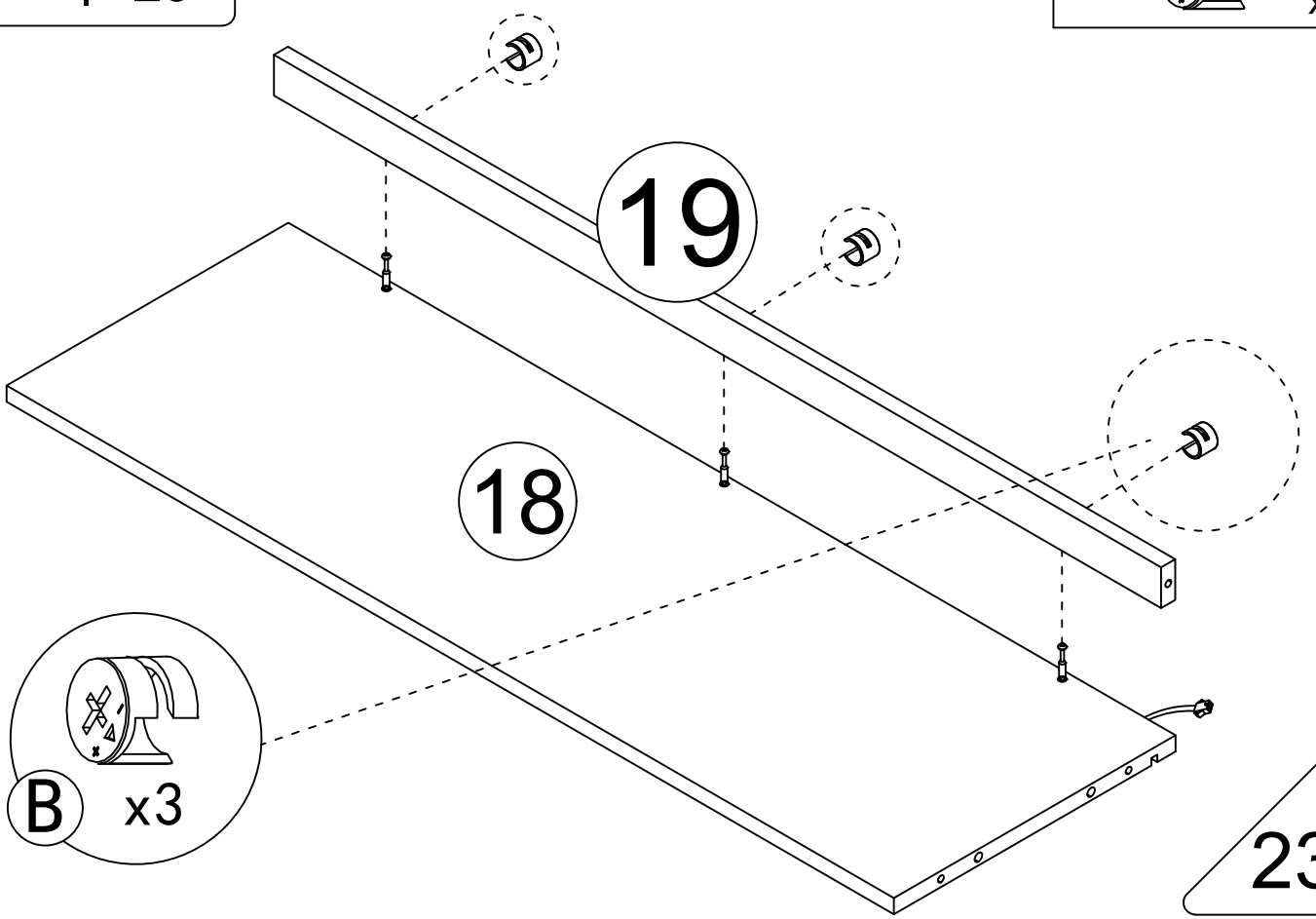
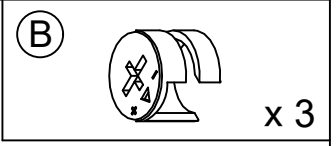
Step 27



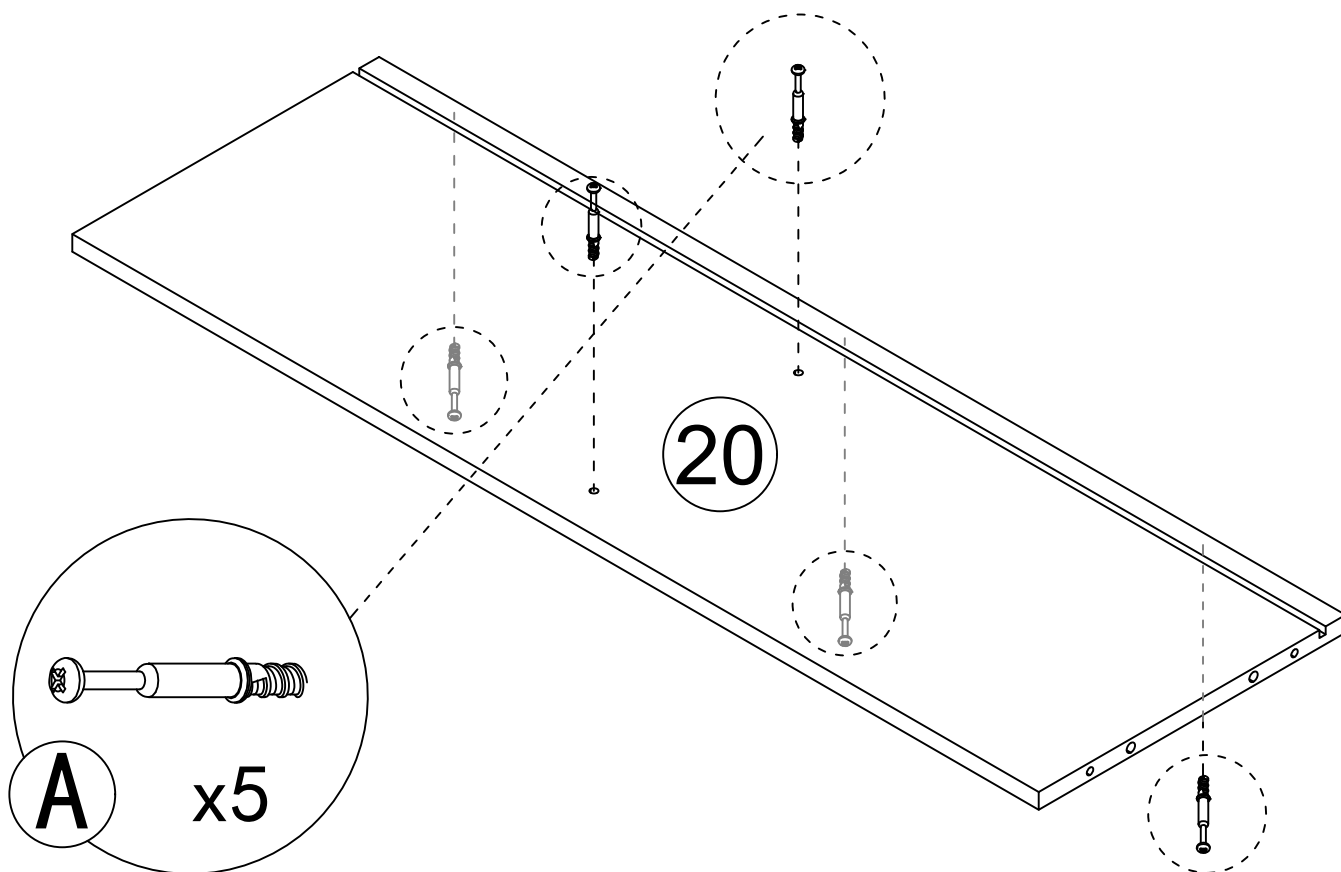
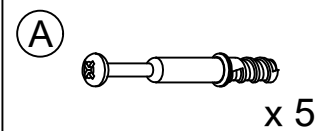
Step 28



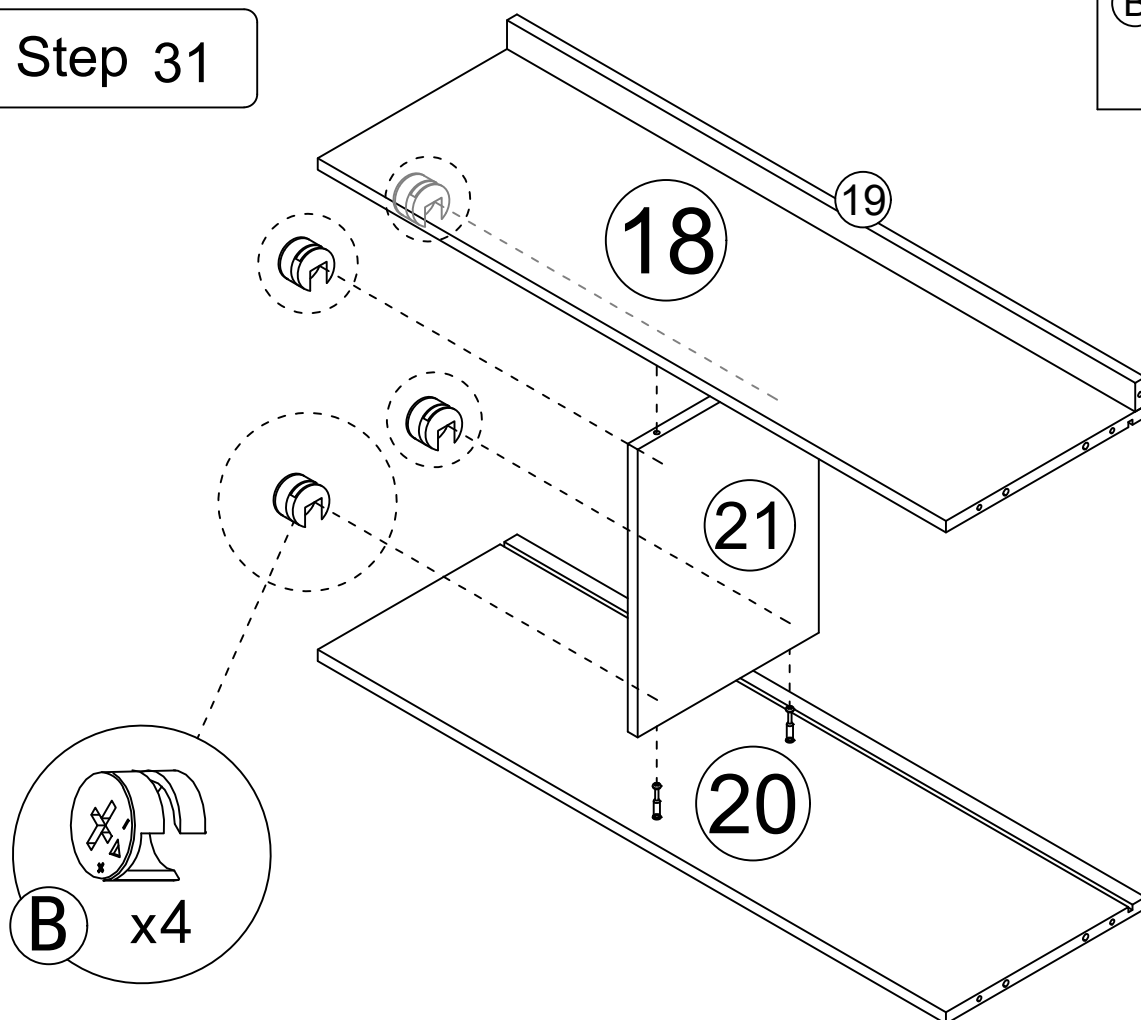
Step 29



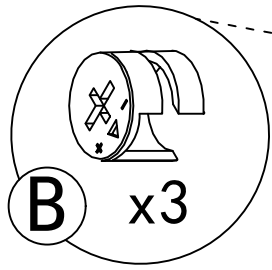
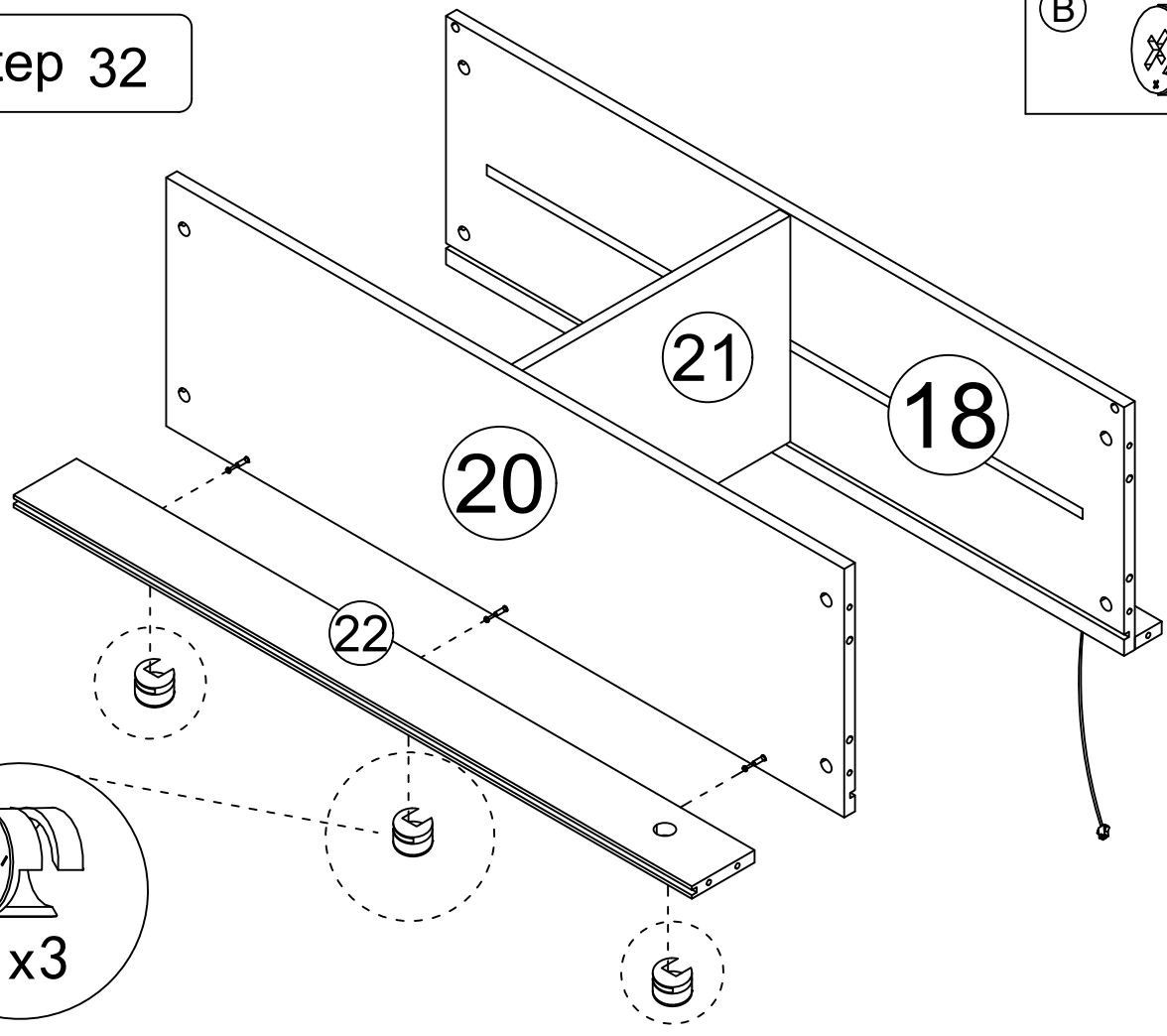
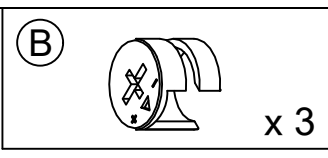
Step 30



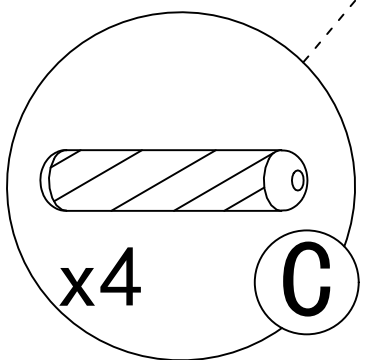
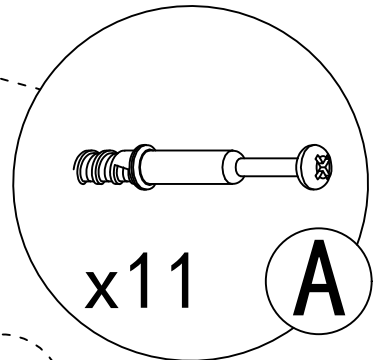
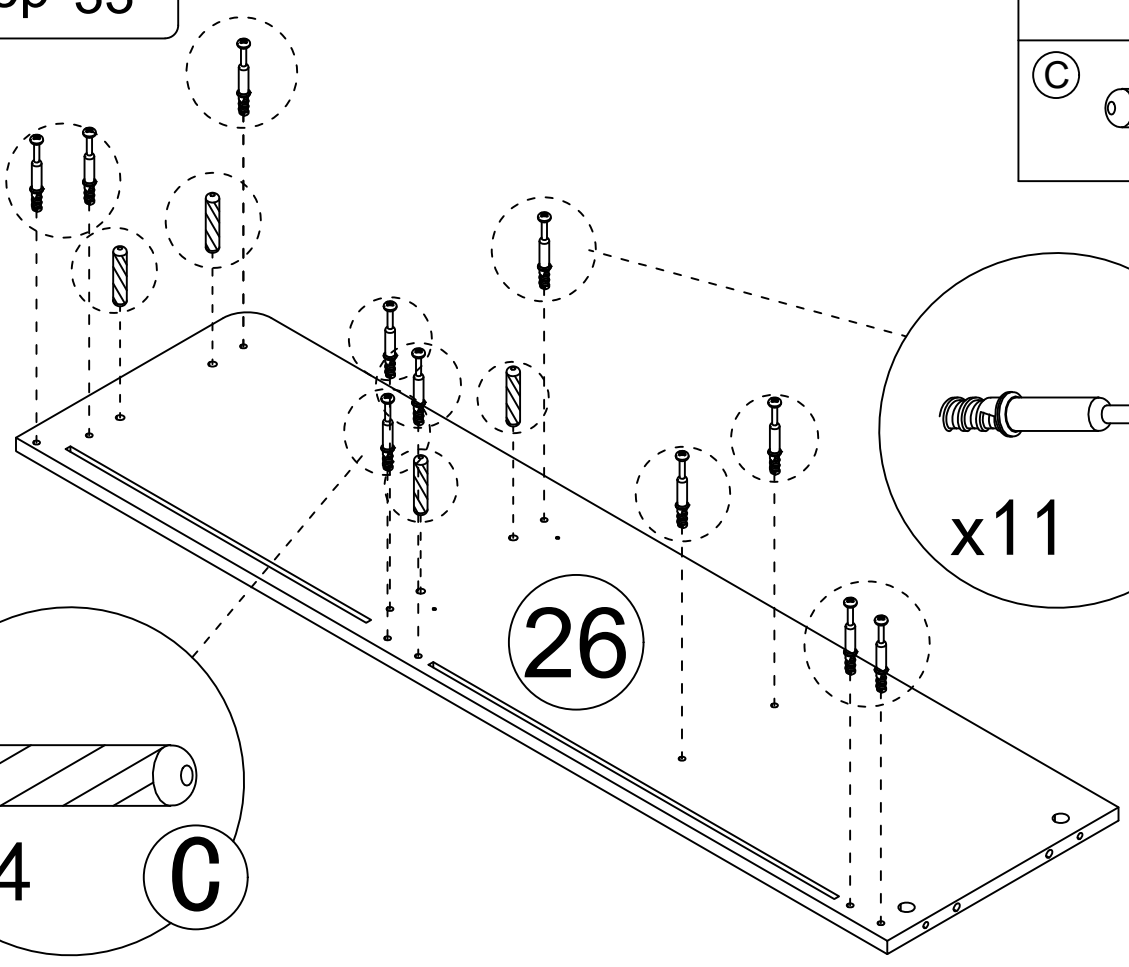
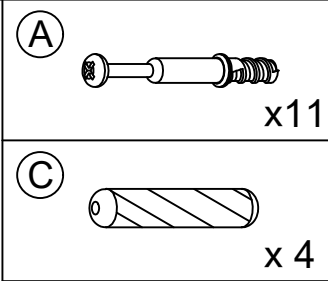
Step 31



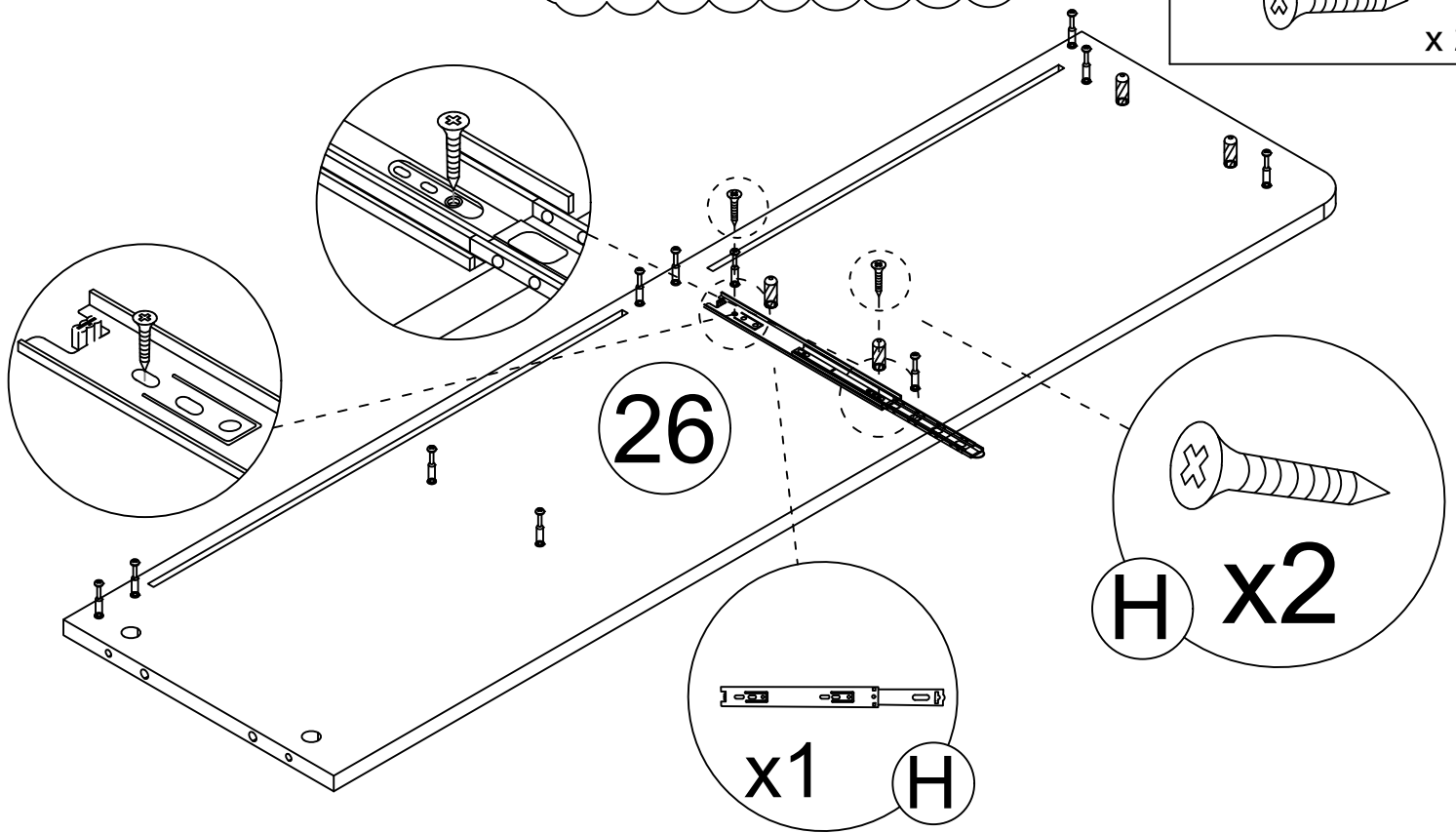
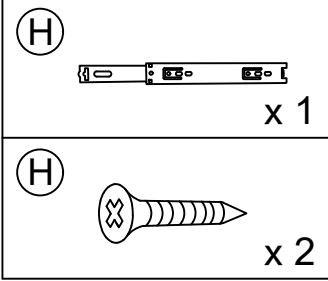
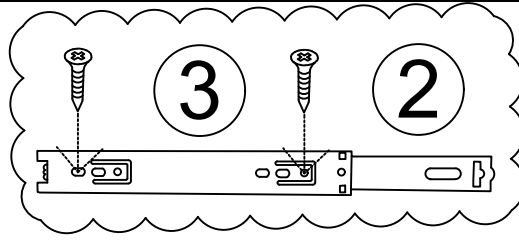
Step 32



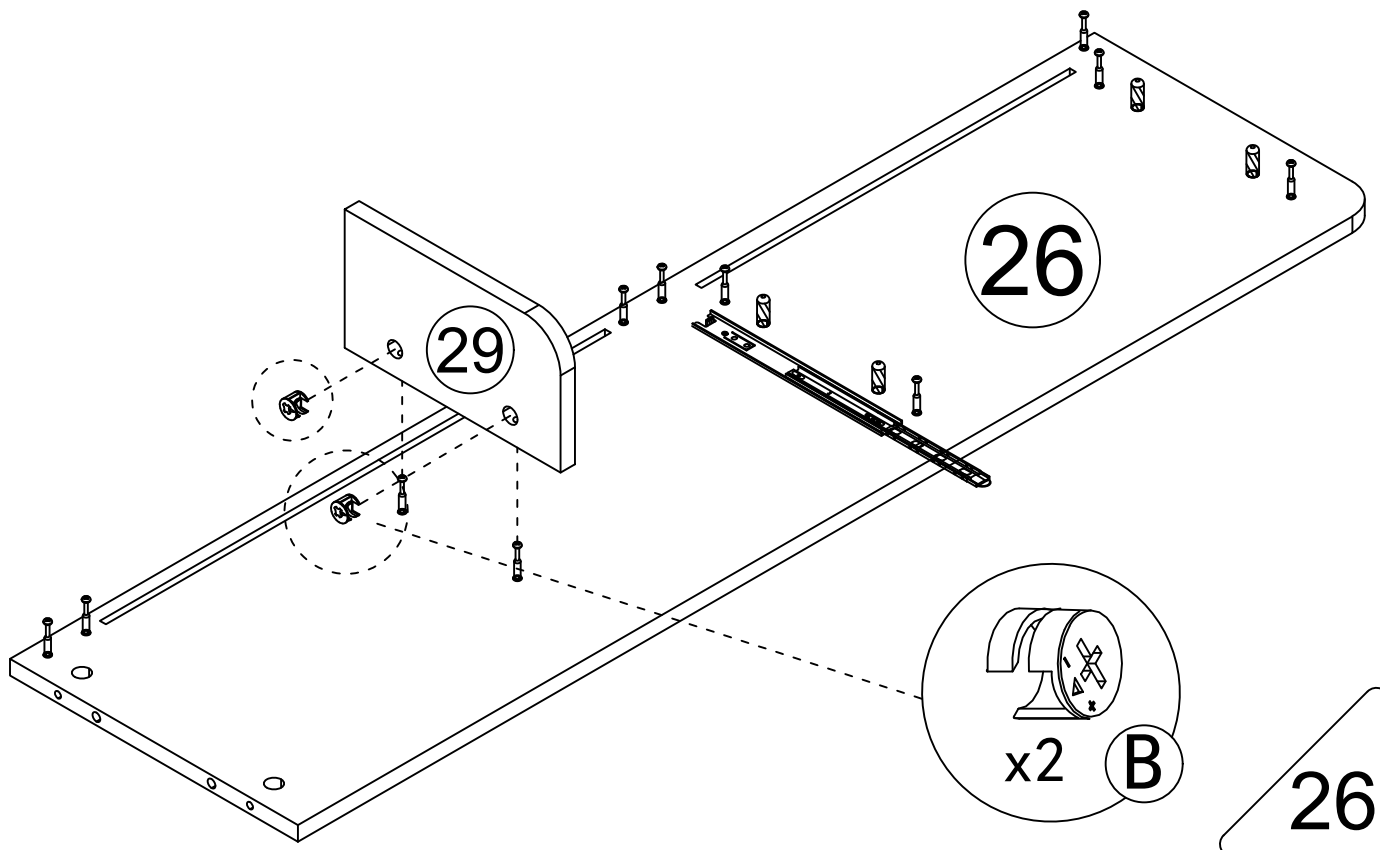
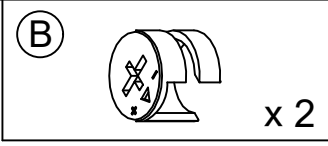
Step 33



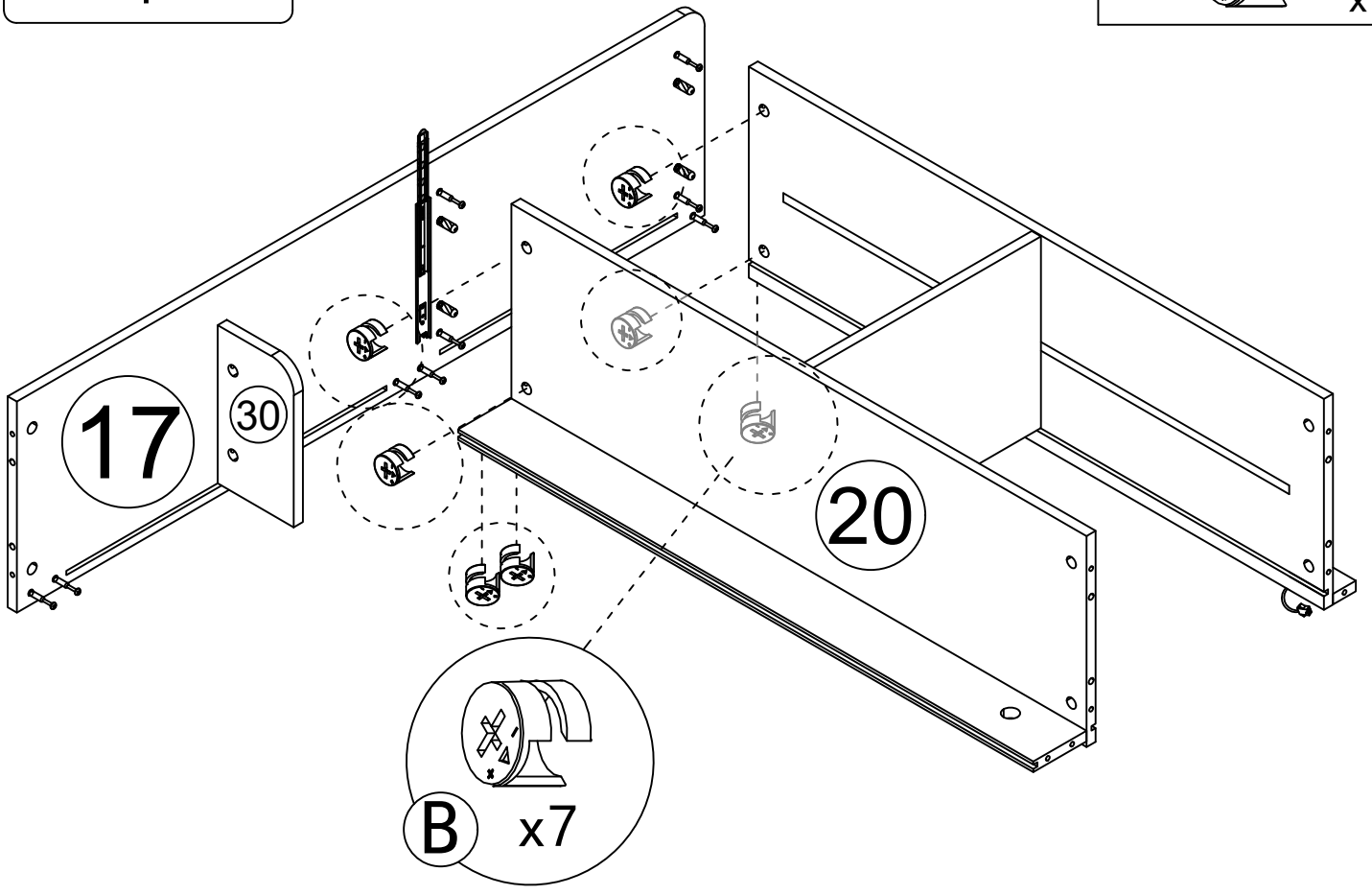
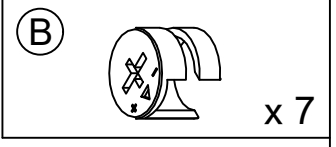
Step 34



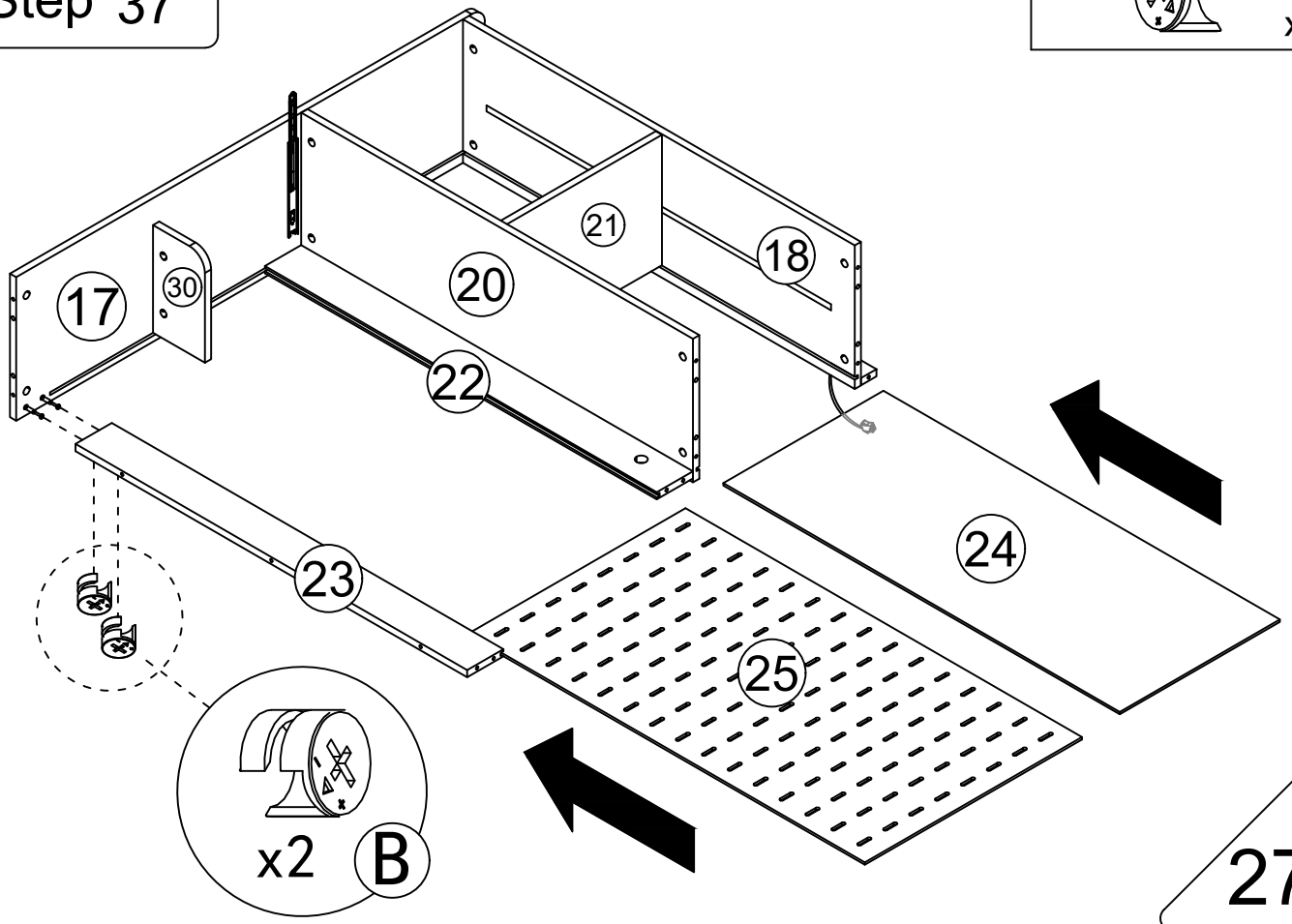
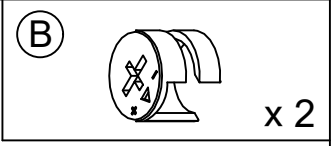
Step 35



Step 36




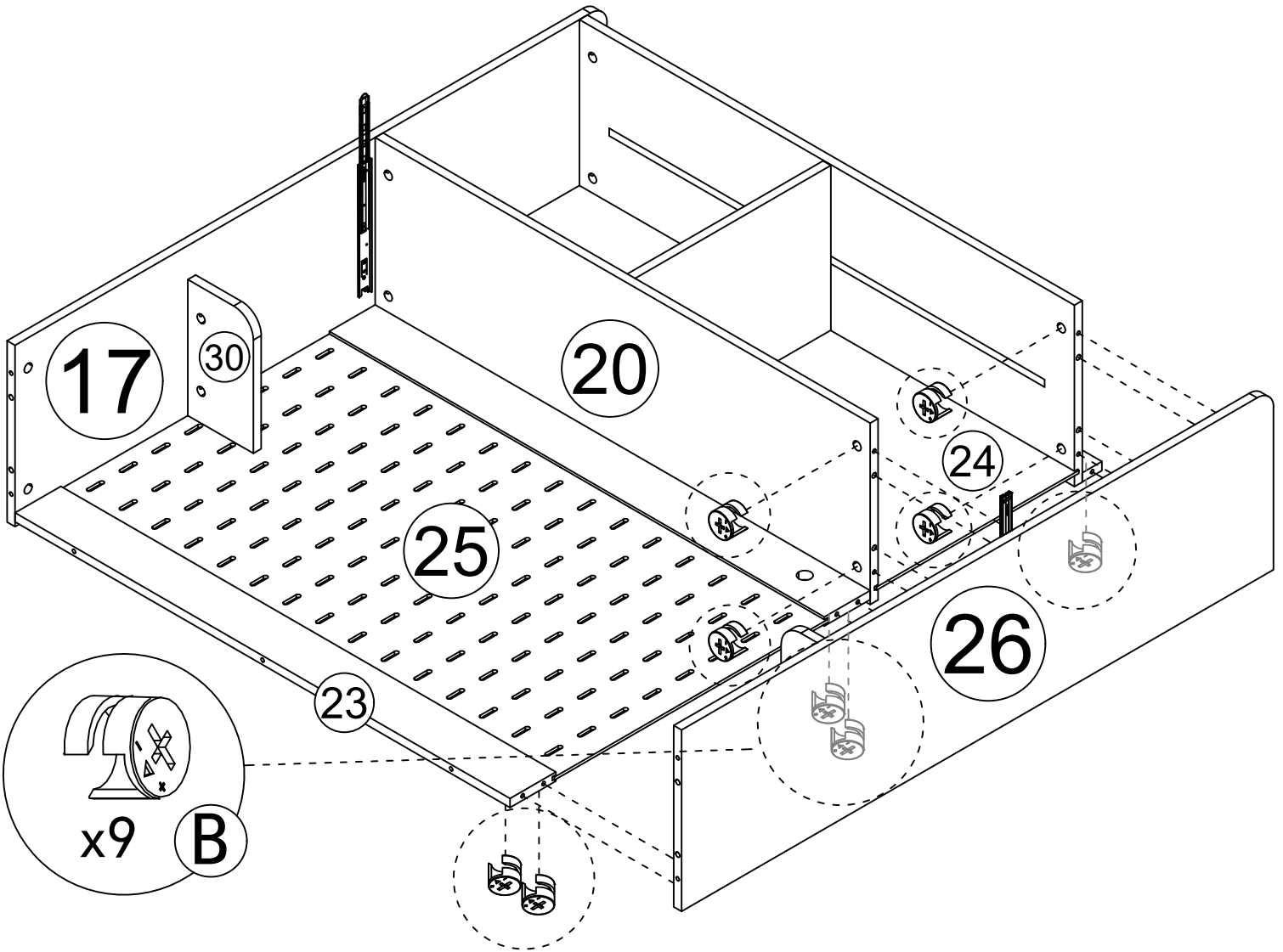
Step 37




27

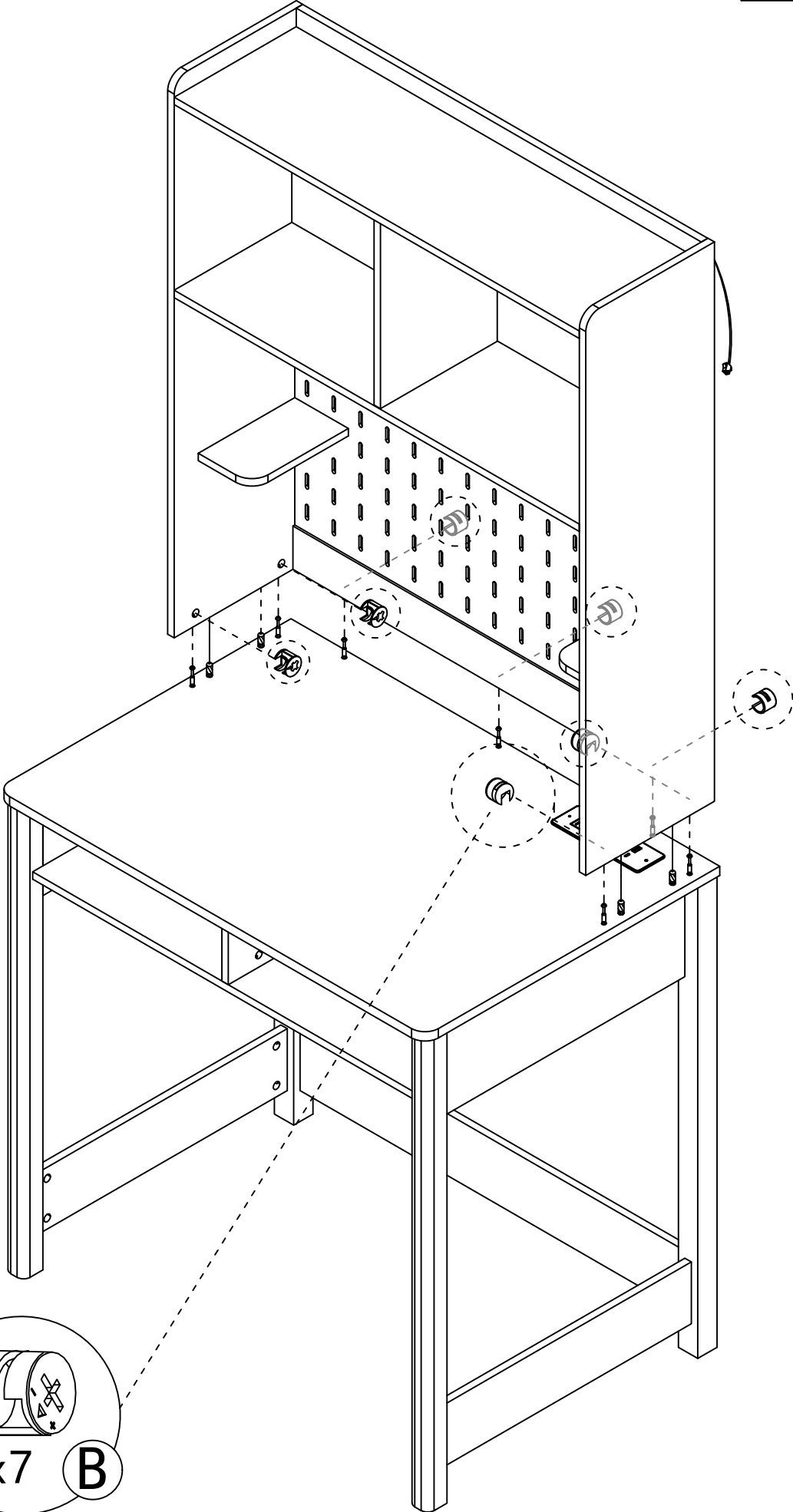
Step 38

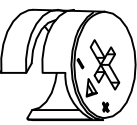
(B)  x 9



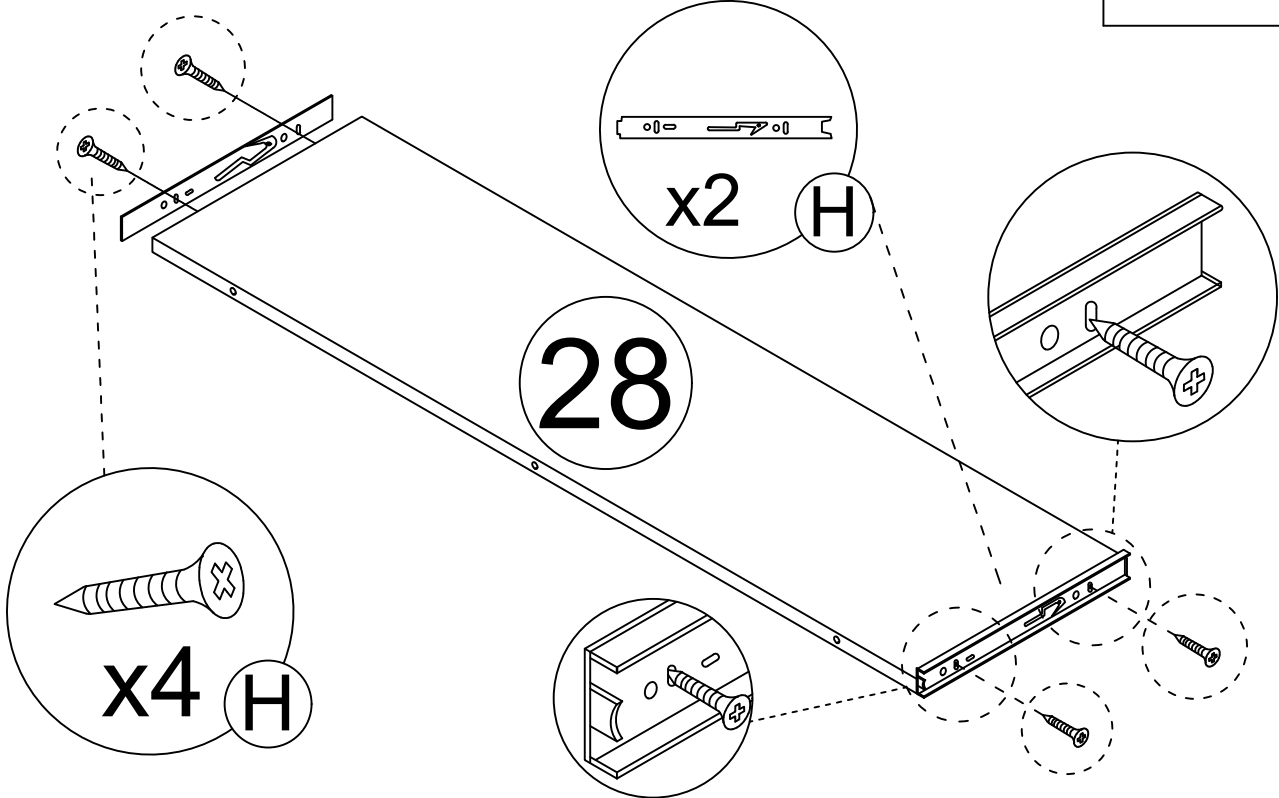
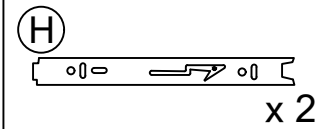
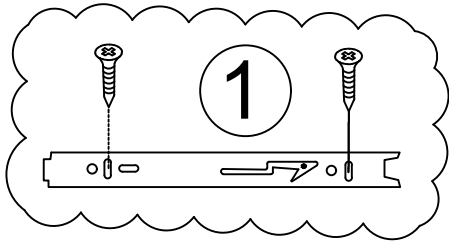
Step 39

(B)  x 7

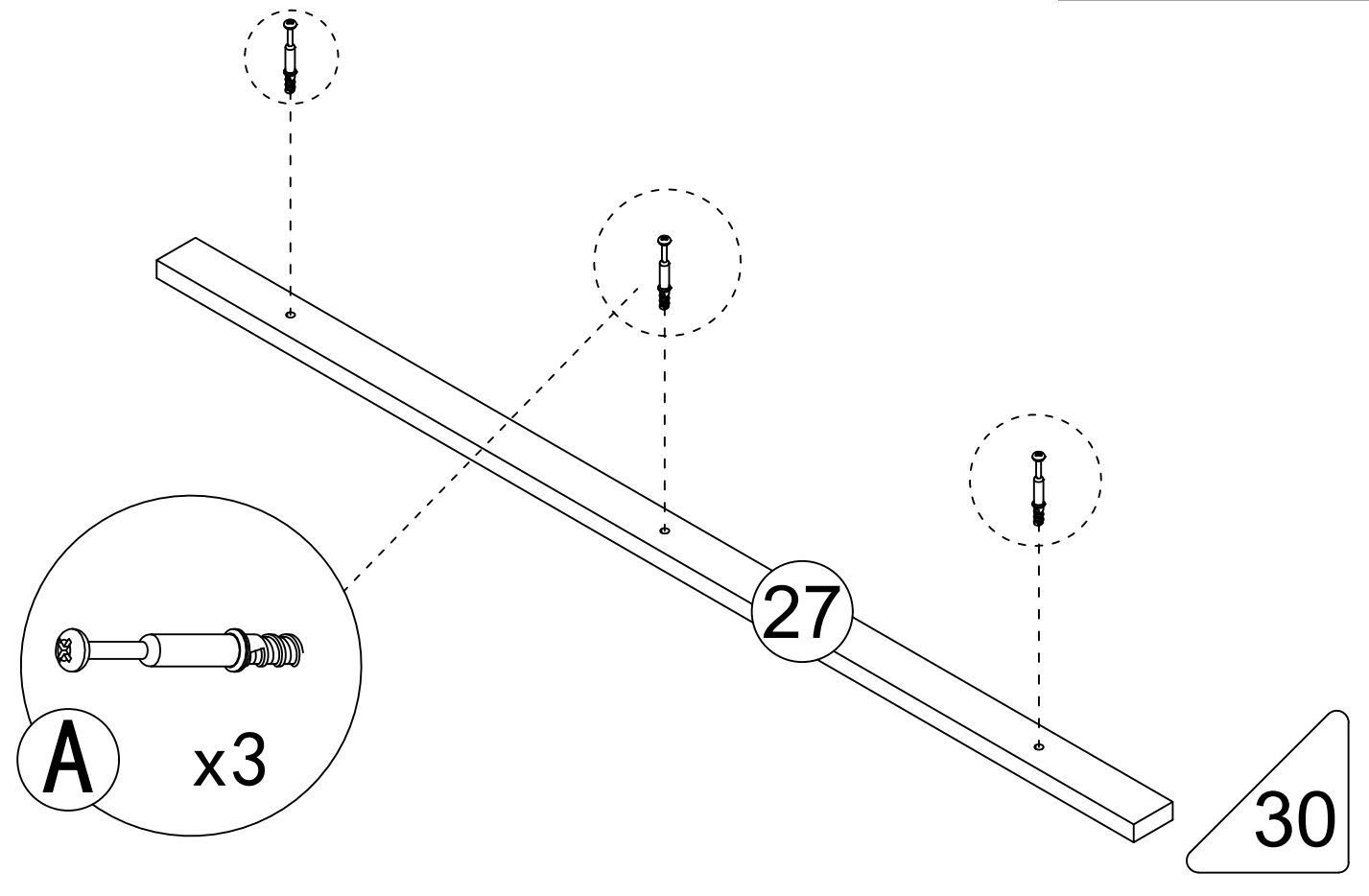
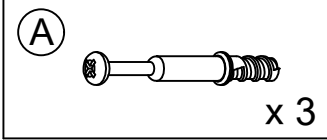


 x7 (B)

Step 40



Step 41

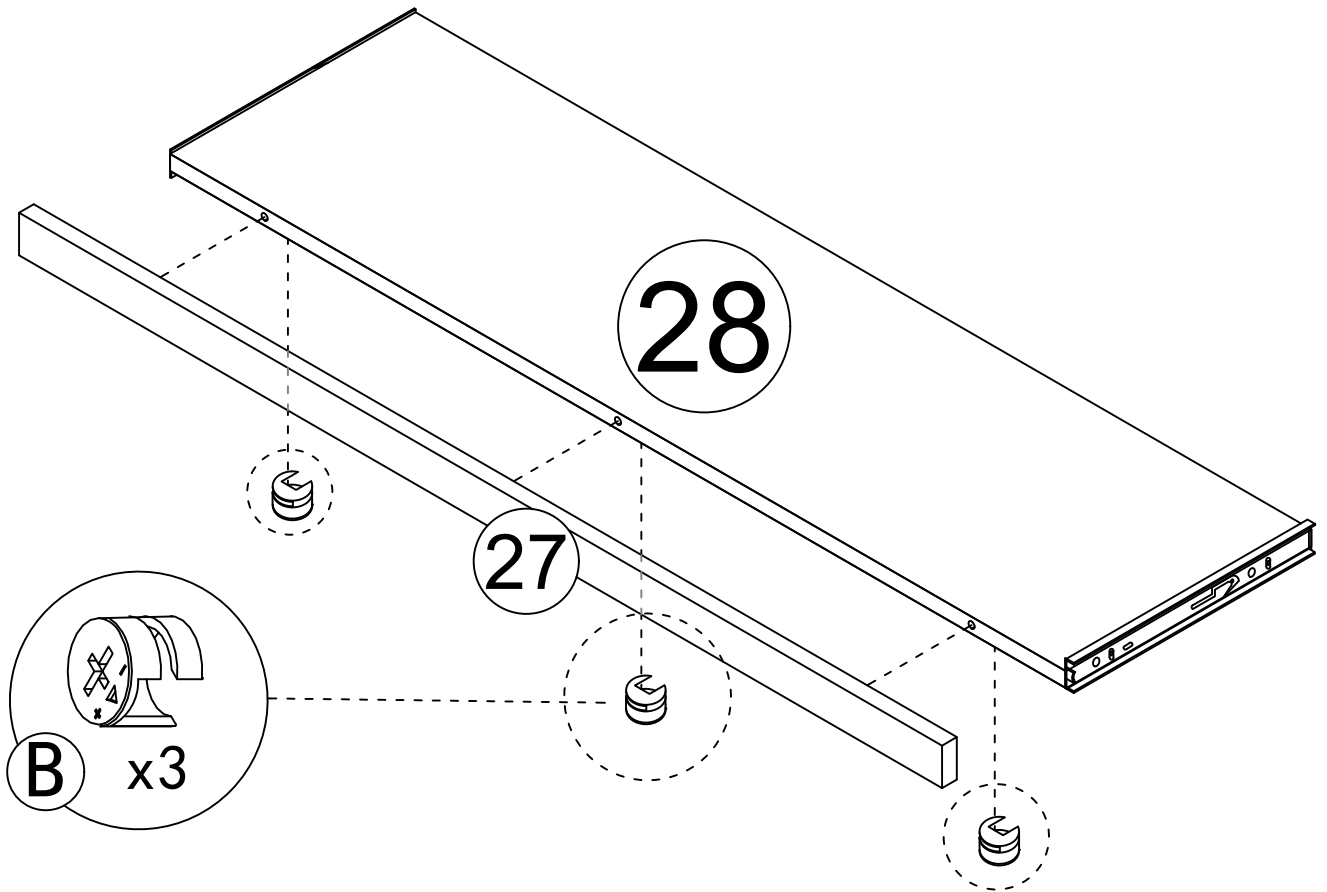


Step 42

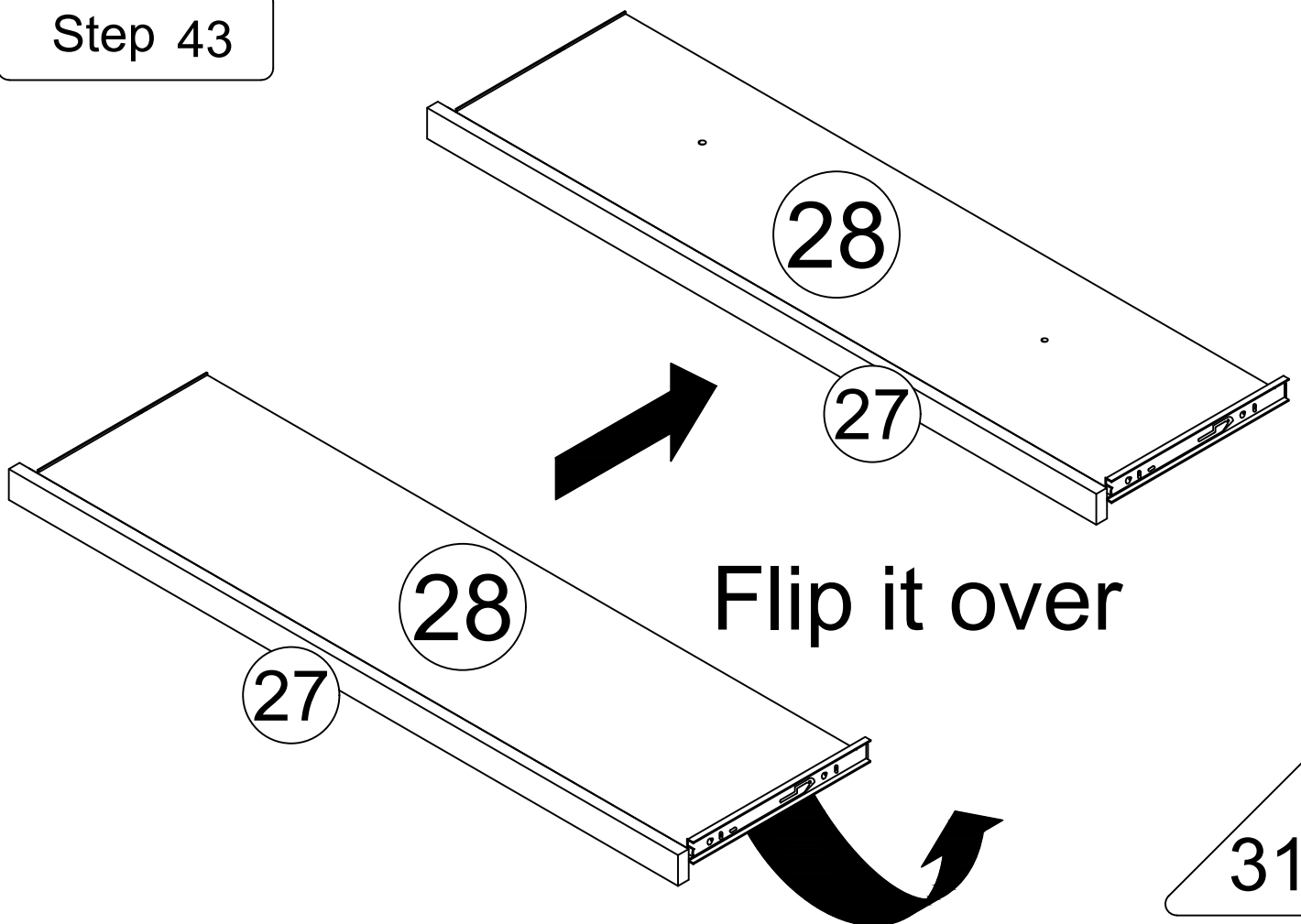
(B)



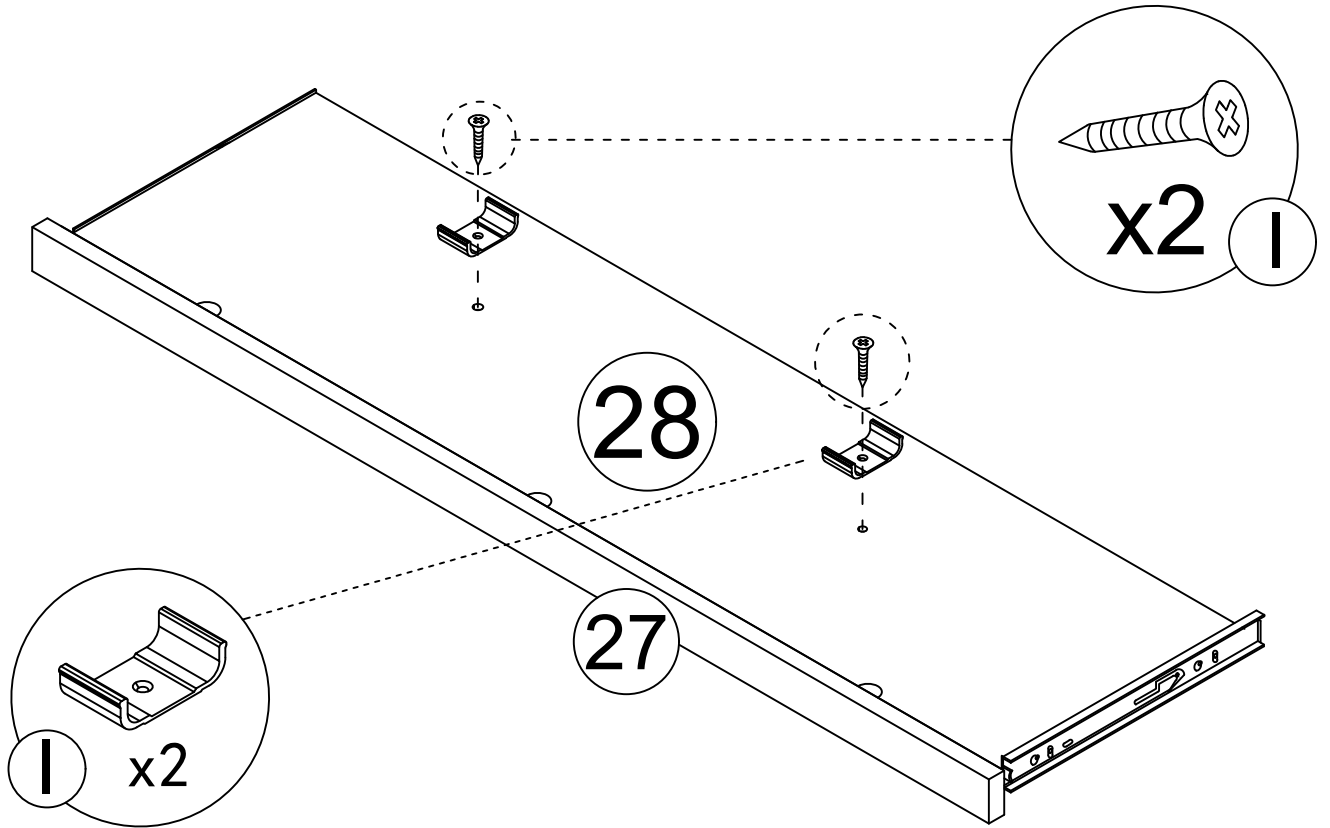
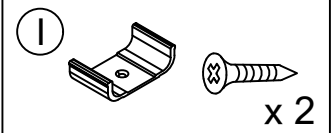
x 3



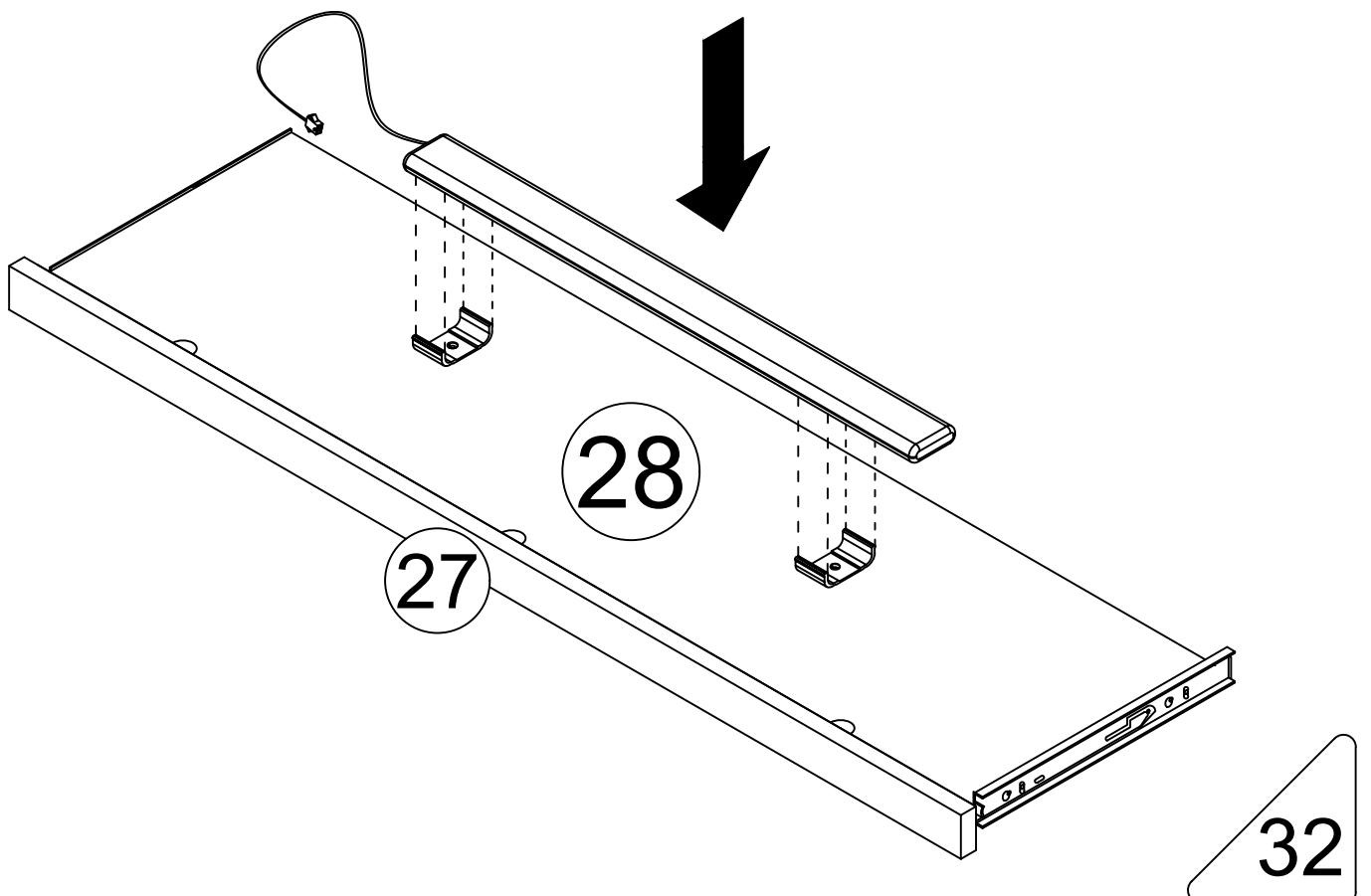
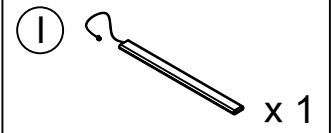
Step 43



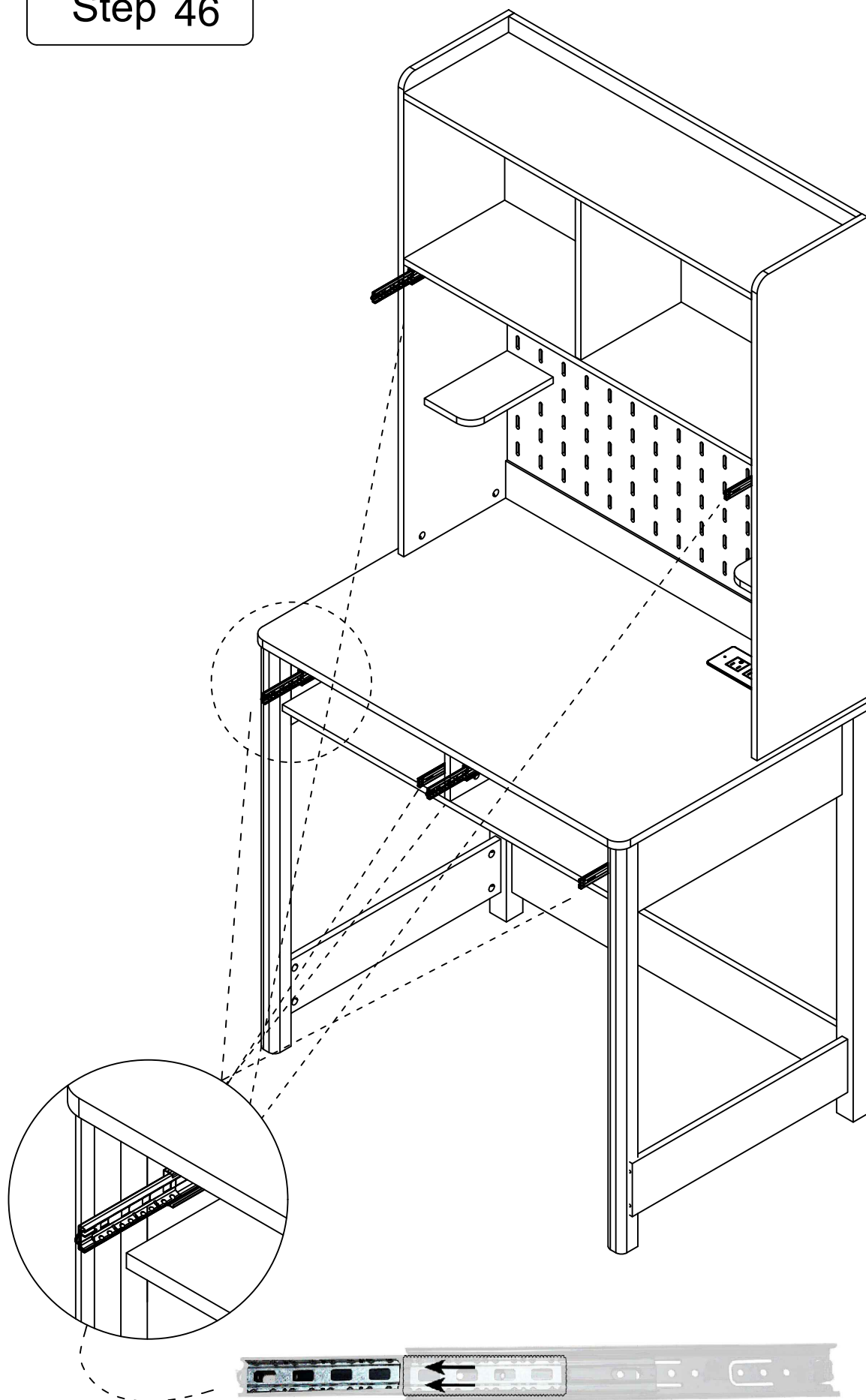
Step 44



Step 45

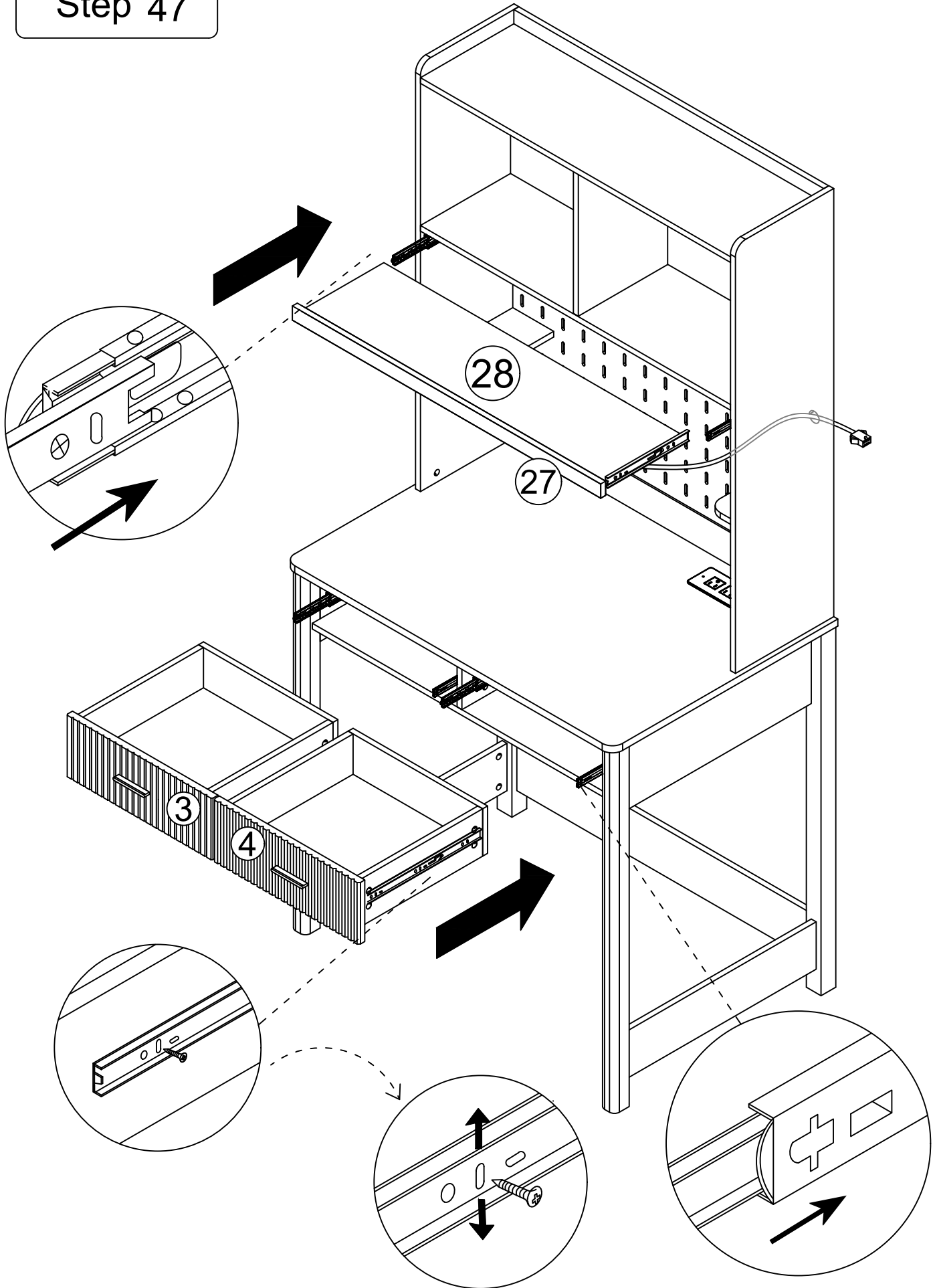


Step 46



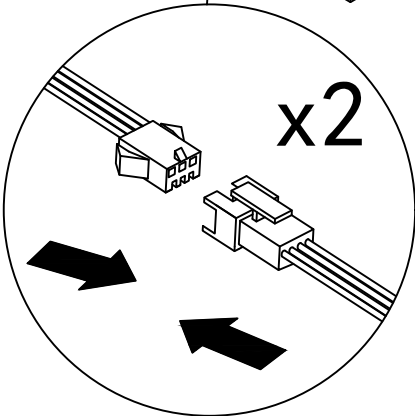
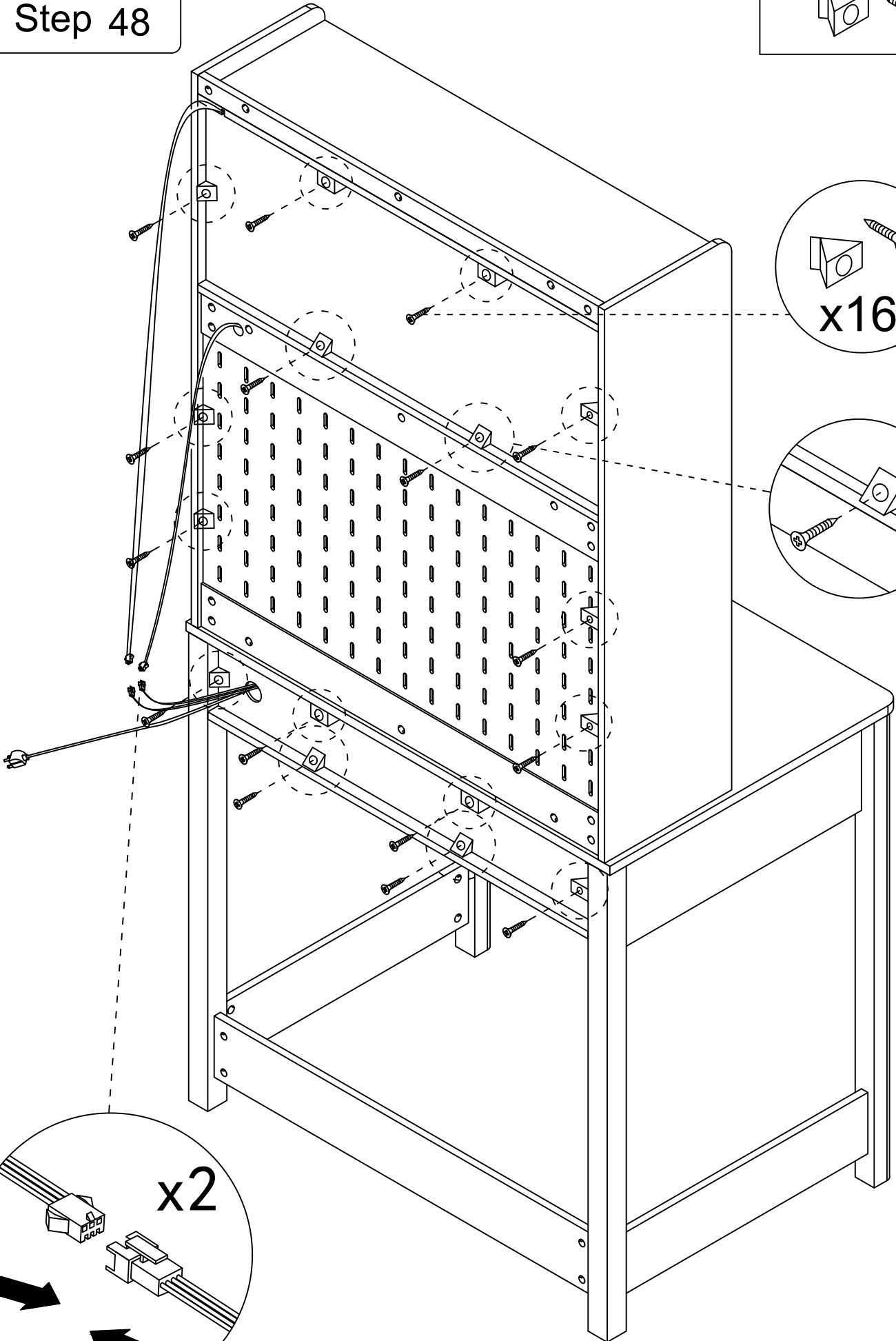
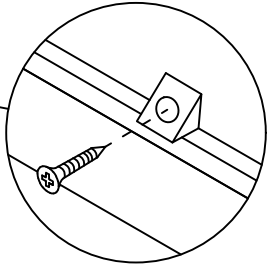
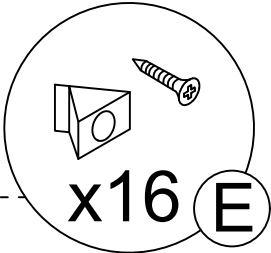
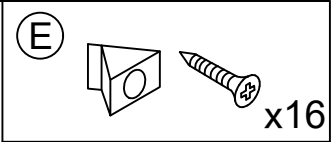
As shown, When installing the drawer, pull the guide rail out first, Slide beads are also pulled out.

Step 47








If a large gap is found after installing the drawer the slide rail can be moved up and down to adjust the gap.

Step 48

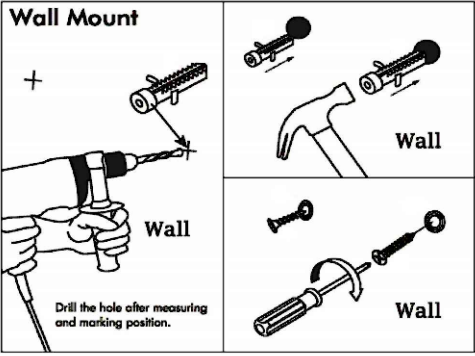


Step 49

- (K)  x2  x2
-  x4  x2
-  x2

wall

Wall Mount



+

Wall

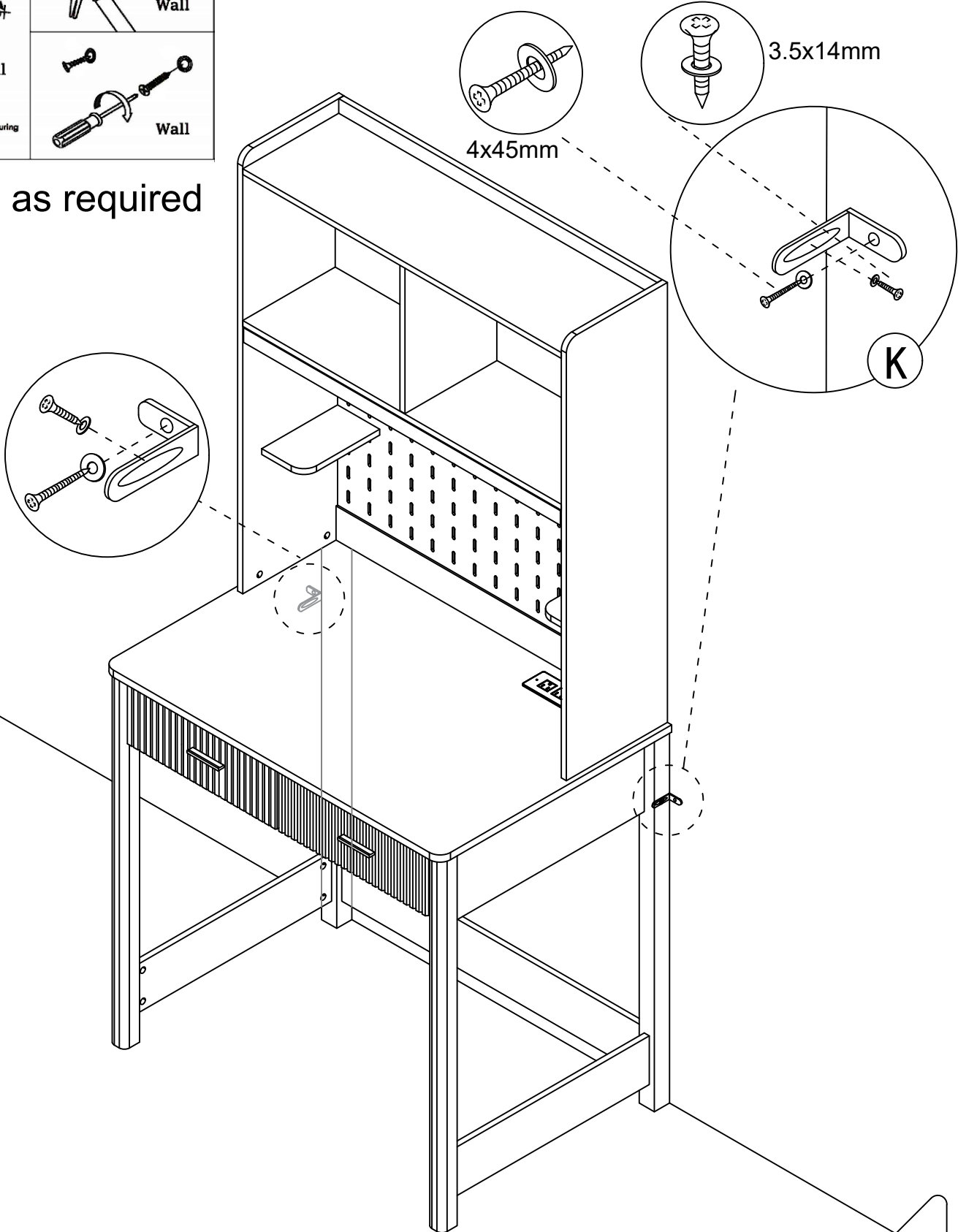
Wall

Wall

Wall

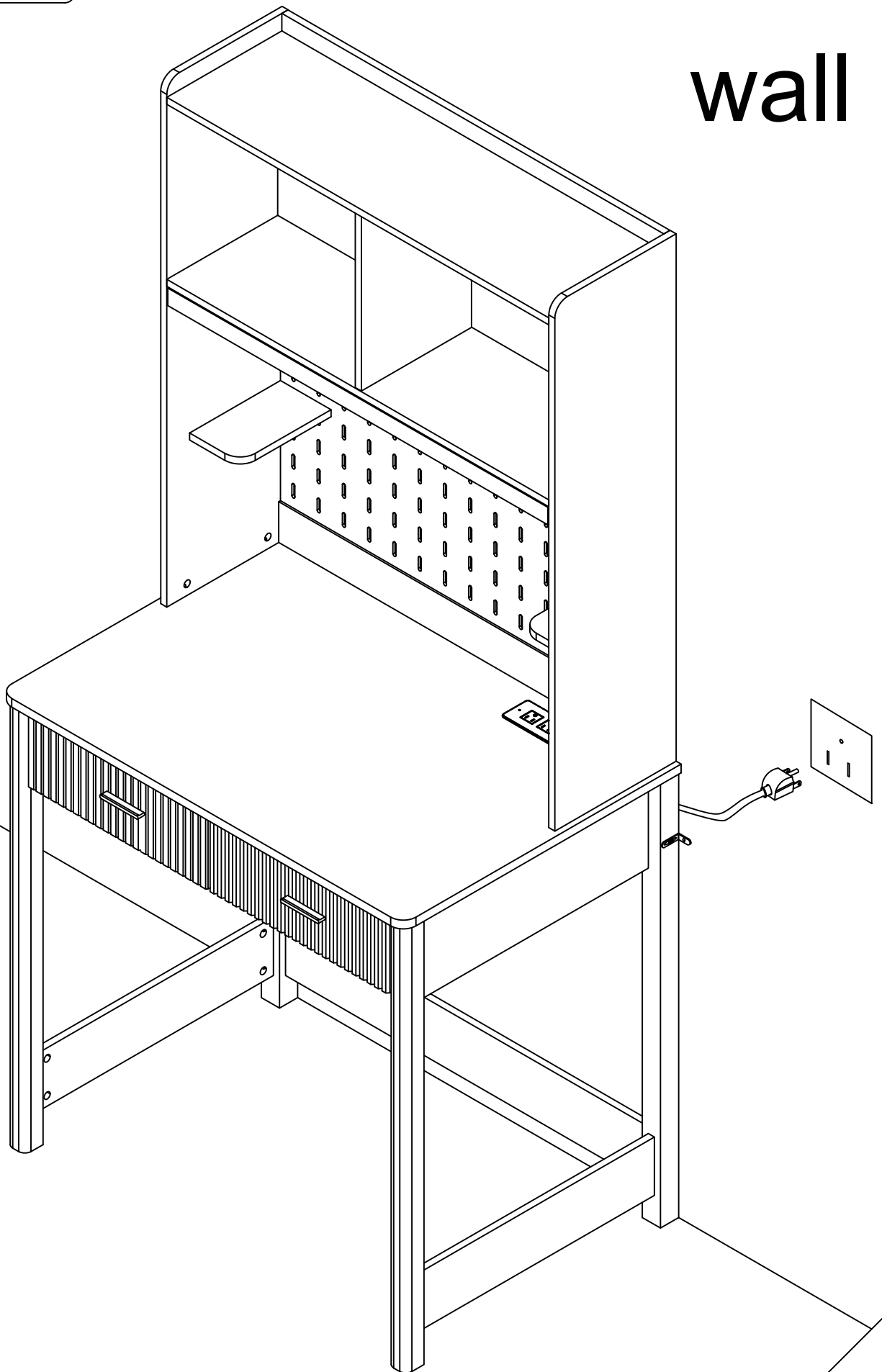
Drill the hole after measuring and marking position.

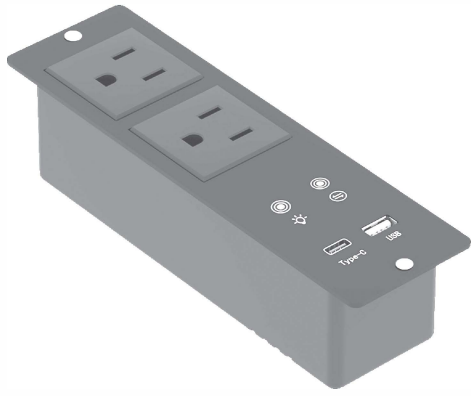
Install as required



Step 50

wall





User's Guide

Thank you for purchasing this product.

To use this product, please connect it to a power source.

Please use if the product works normally after connecting to power.

Introduction

The box is an intelligent controller. It has 1 USB output port 1 Type-c port and can distribute the current output up to 5V DC-2A. With 2 touch buttons, it can turn. ON/OFF the light, change light colors, and adjust the light luminance.

Operation



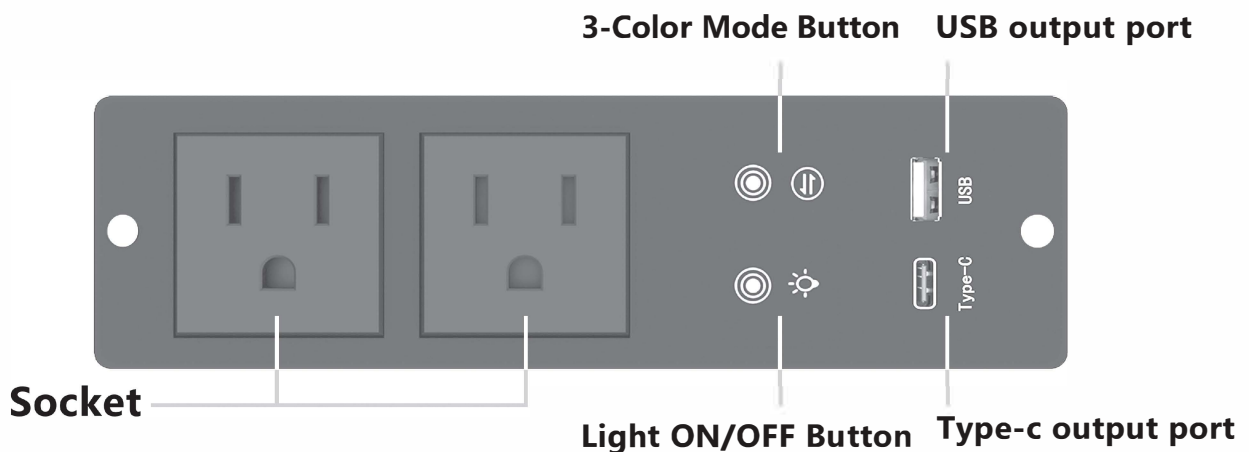
This touch button controls the on/off of the light

Short touch -> lighting on -> short touch -> lighting off.



This touch button controls the color switching and brightness adjustment of the light

1. It can only be used when the light is on
2. Offering 3 different colors to choose from. Simply tap to cycle through the options.
3. Long touch -> adjust the luminance.



ATTENTION PLEASE

1. If there is no touch response suddenly, Re-plug the power to reset the touch static electricity.
2. If you have any questions when installing, please feel free to contact us. Thank you.