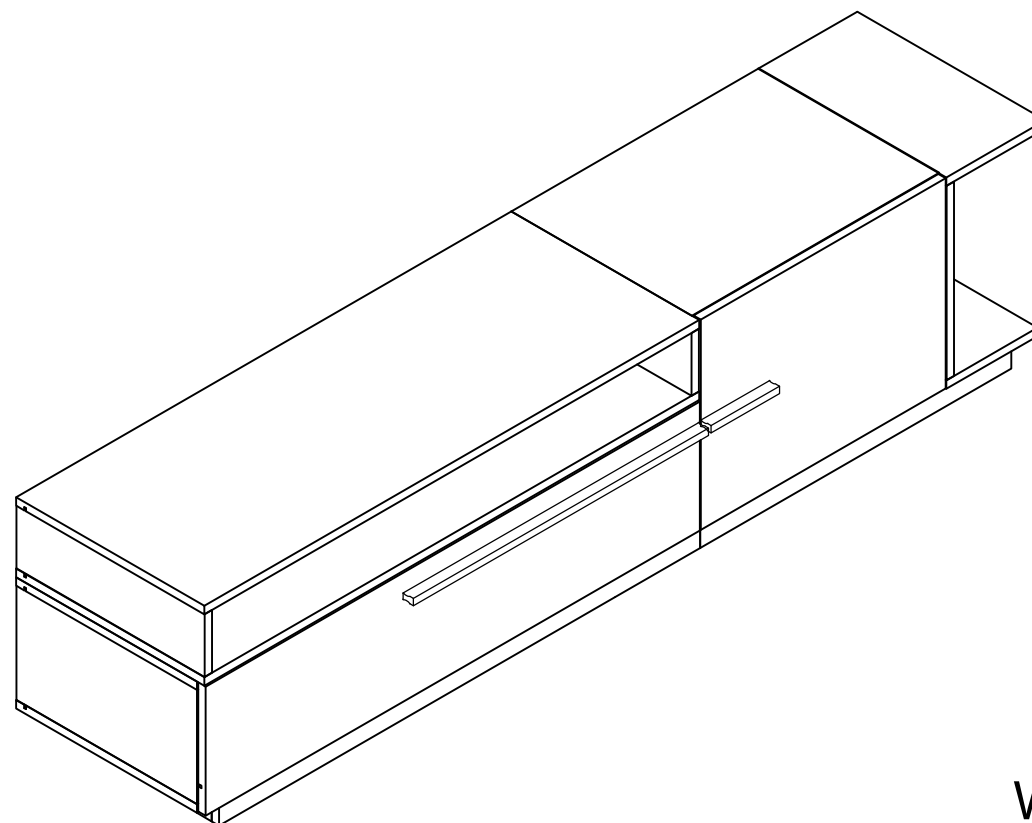
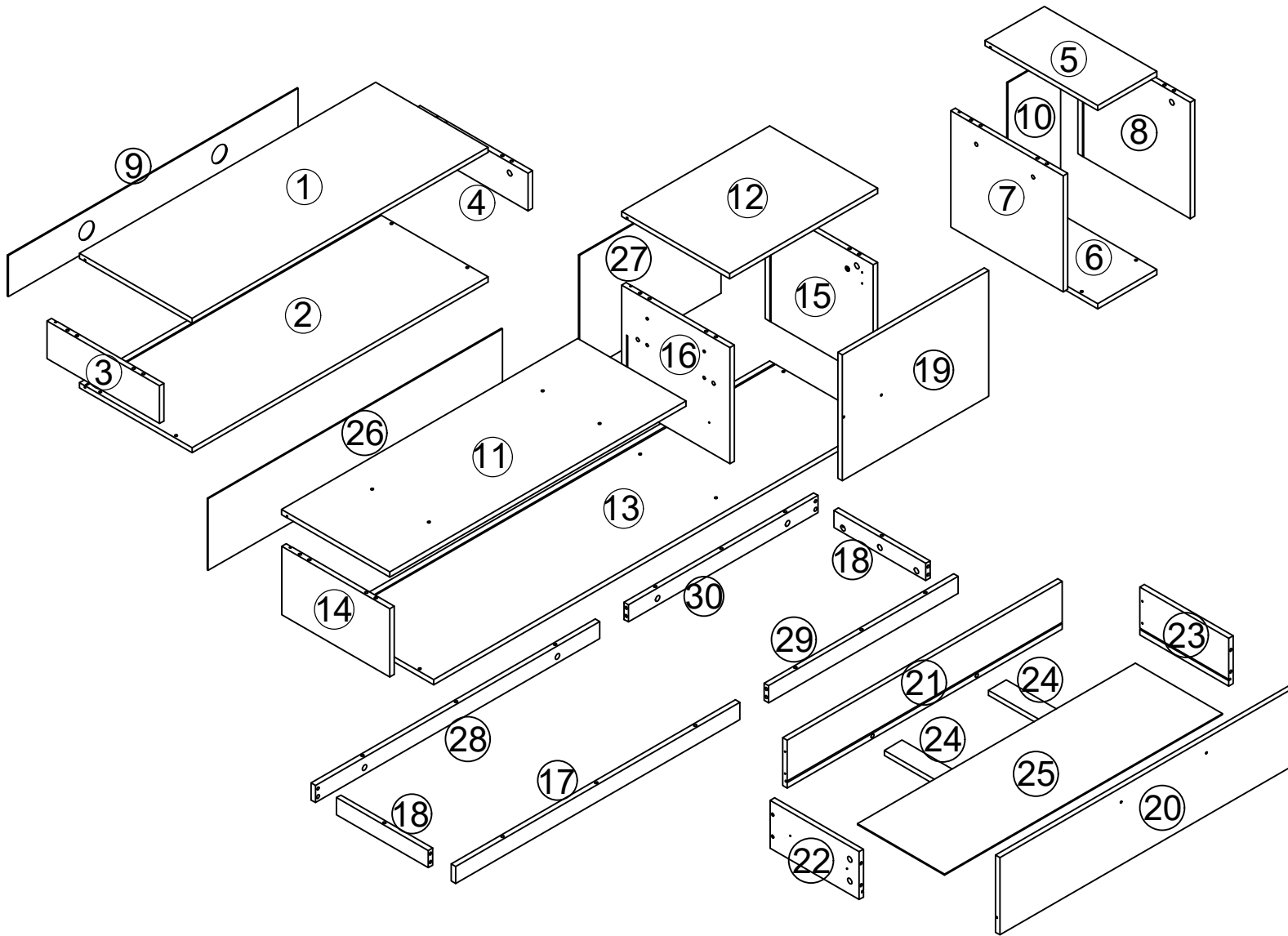


TV Stand



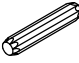
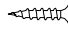
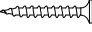


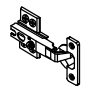

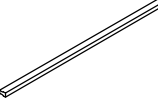

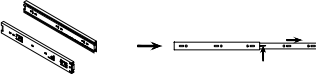


Width-66.93inch
Depth-14.96inch
Height-16.54inch

Note: No. 19 20 board with protective film. Please tear it off after installation !

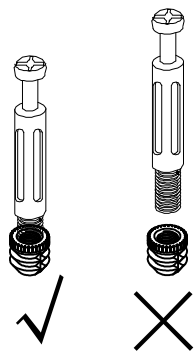


TOOLS 

<p>A</p>  <p>38+2PCS</p>	<p>B</p>  <p>38+2PCS</p>	<p>C</p>  <p>8*40 28+2PCS</p>
<p>D</p>  <p>3.5*14 20+2PCS</p>	<p>E</p>  <p>3.5*35 4PCS</p>	<p>F</p>  <p>6*20 8PCS</p>
<p>G</p>  <p>7*50 14+1PCS</p>	<p>H</p>  <p>2PCS</p>	<p>I</p>  <p>1PCS</p>
<p>J</p>  <p>1PCS</p>	<p>K</p>  <p>4*18 5PCS</p>	
<p>L</p>  <p>300mm L1 L2 1PCS</p>		

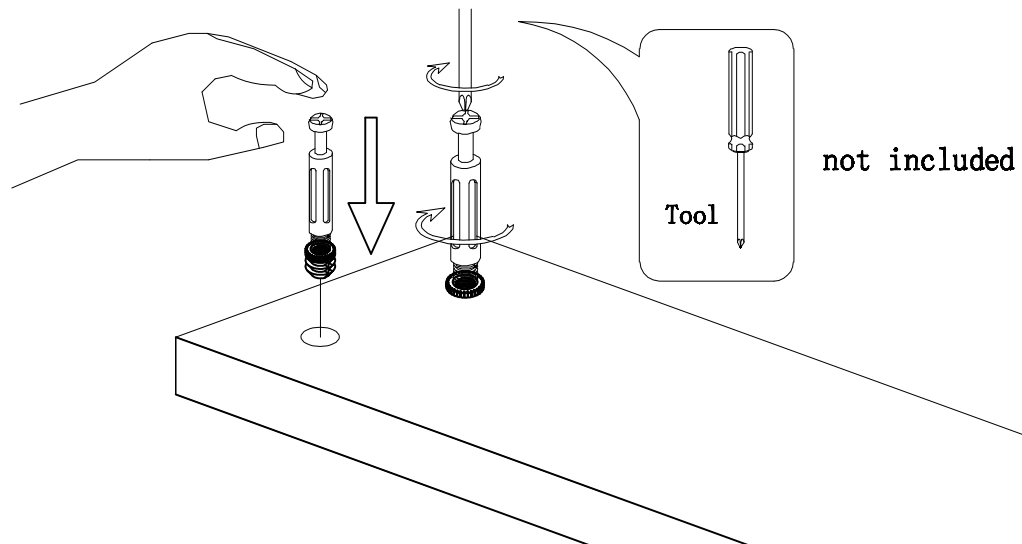
"A" Hardware installation example

I

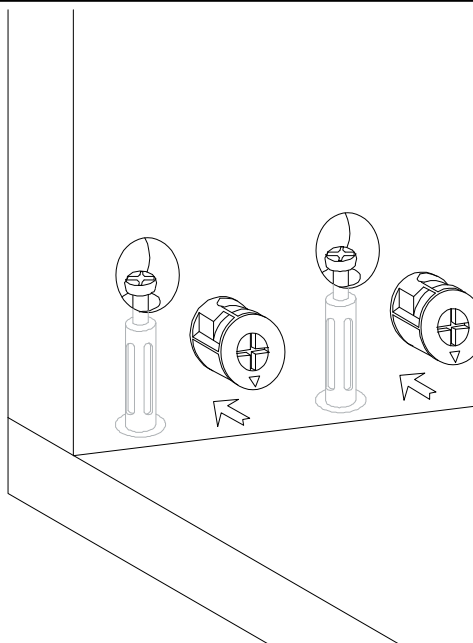


This part cannot be separated,
please install in strict
accordance with the assembly
requirements

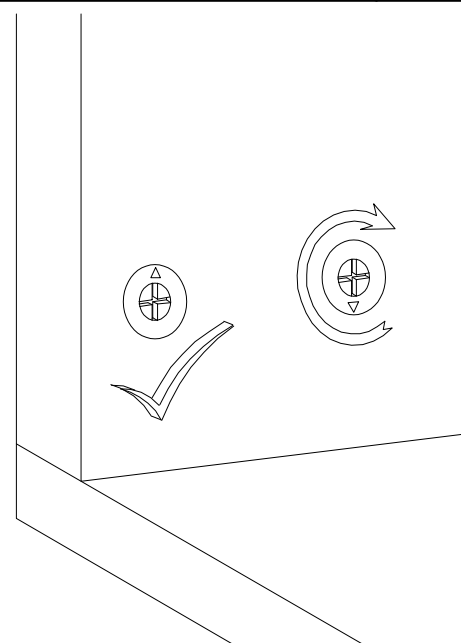
II



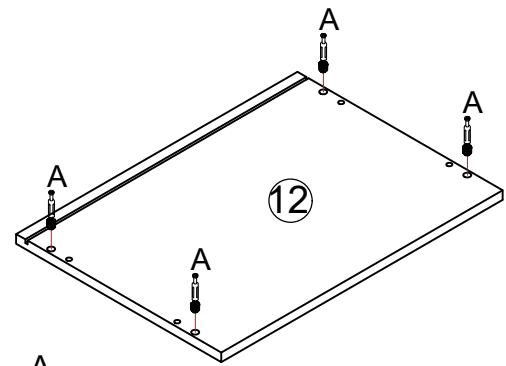
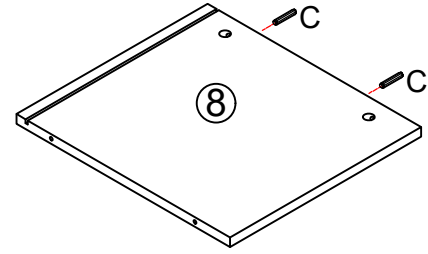
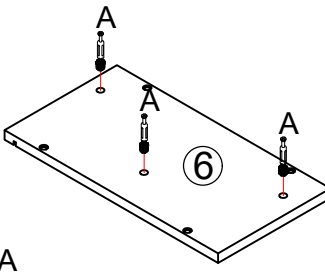
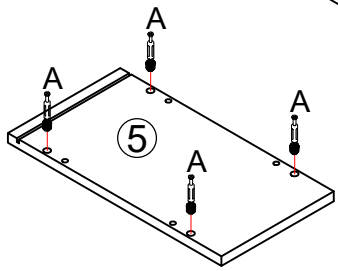
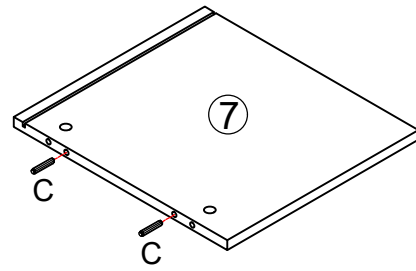
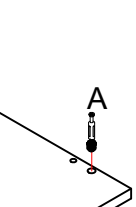
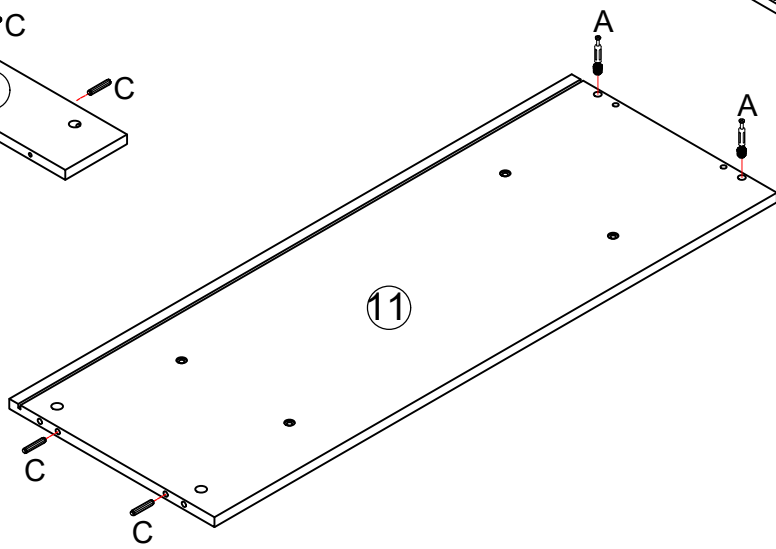
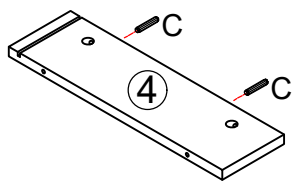
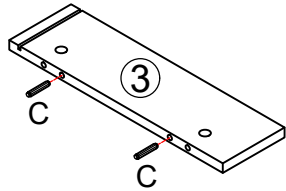
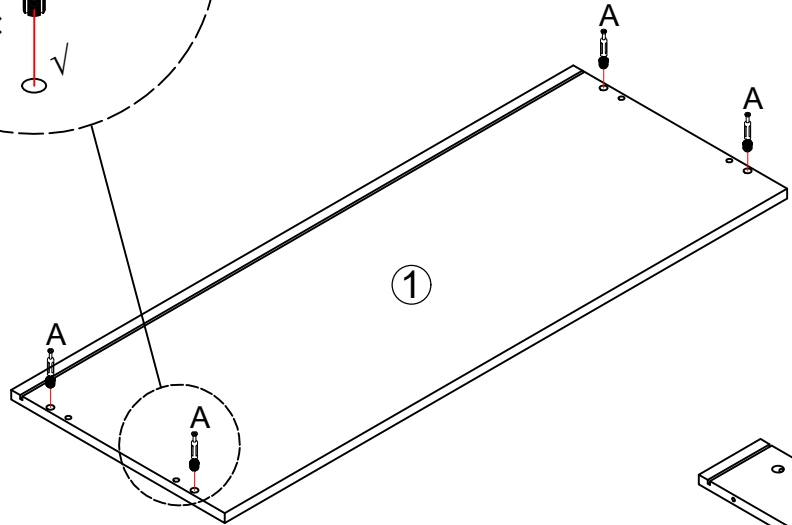
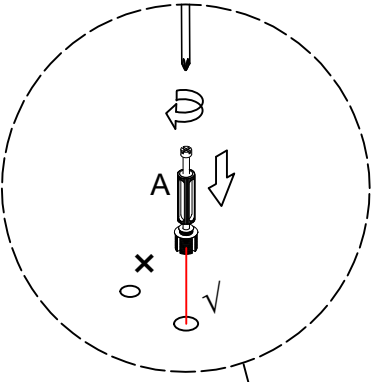
III


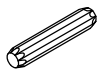


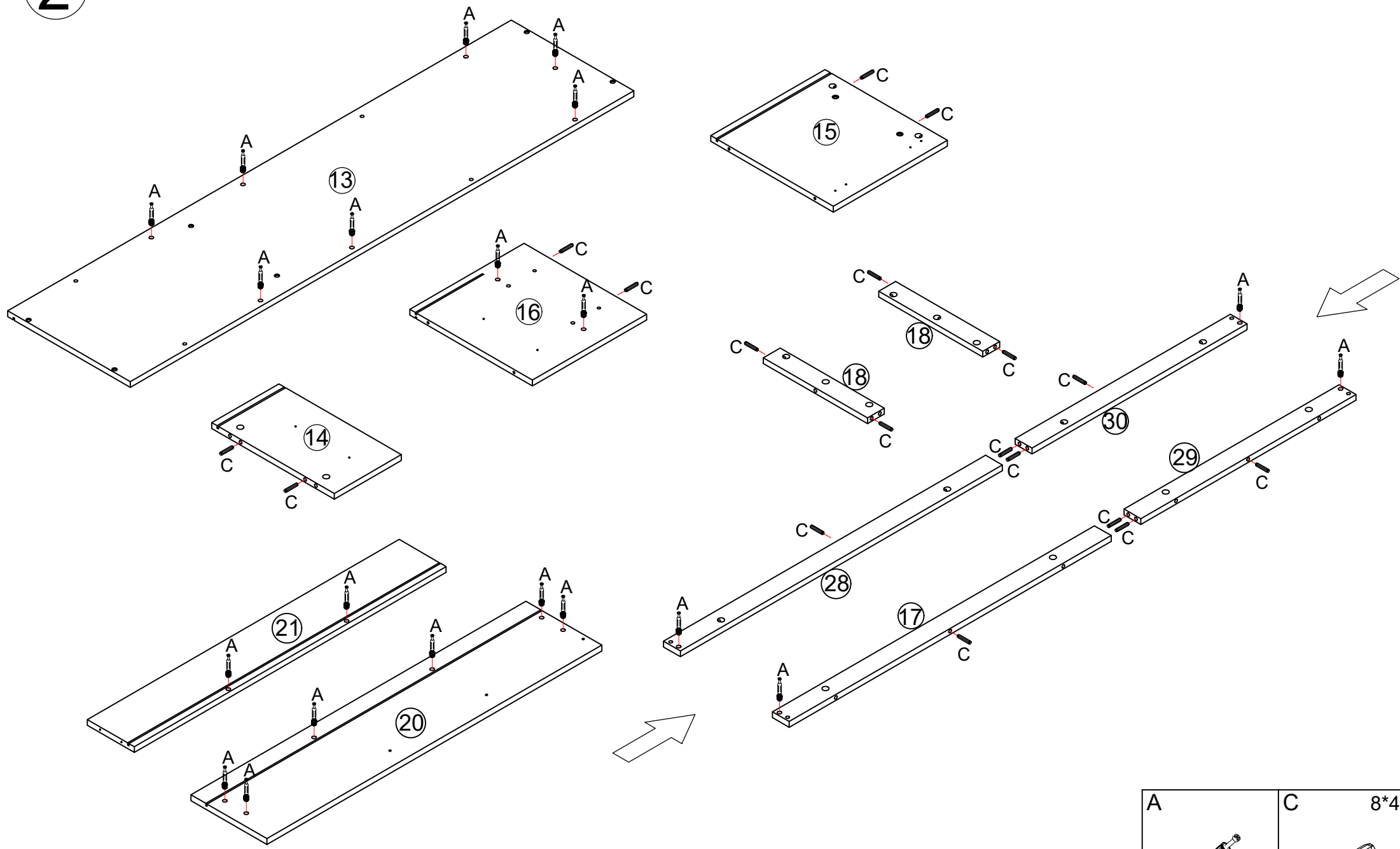
IV

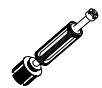
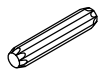


1

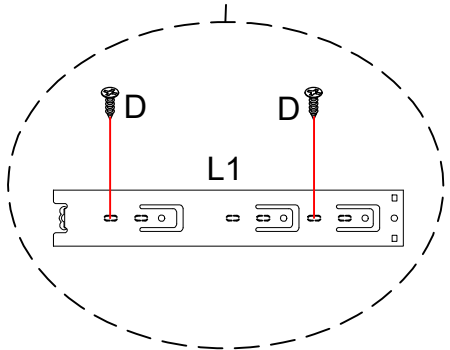
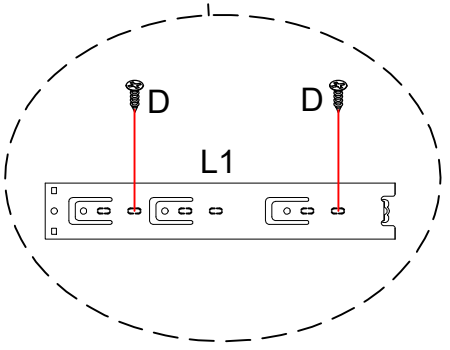
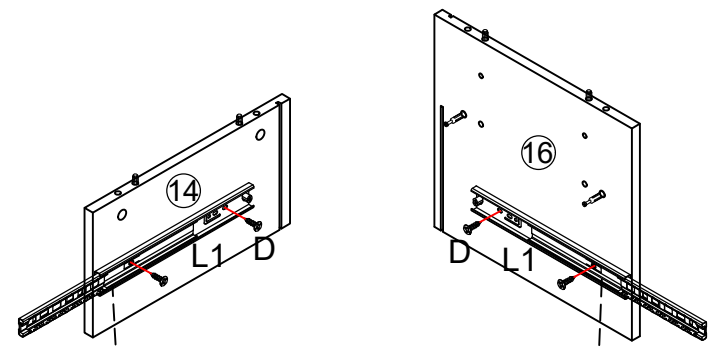
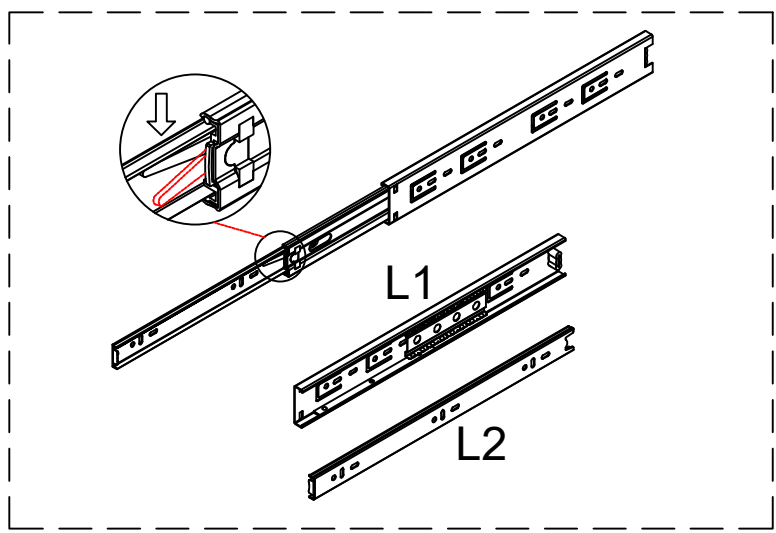


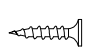

A 	C 
17PCS	8*40 10PCS



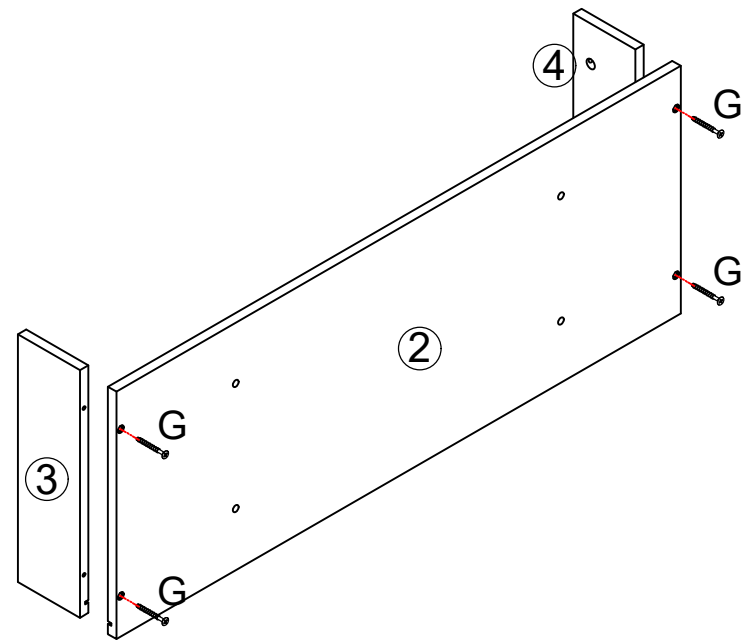
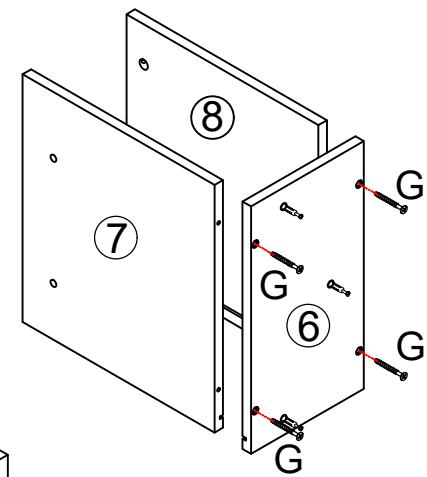
A 	C 
21PCS	18PCS


3



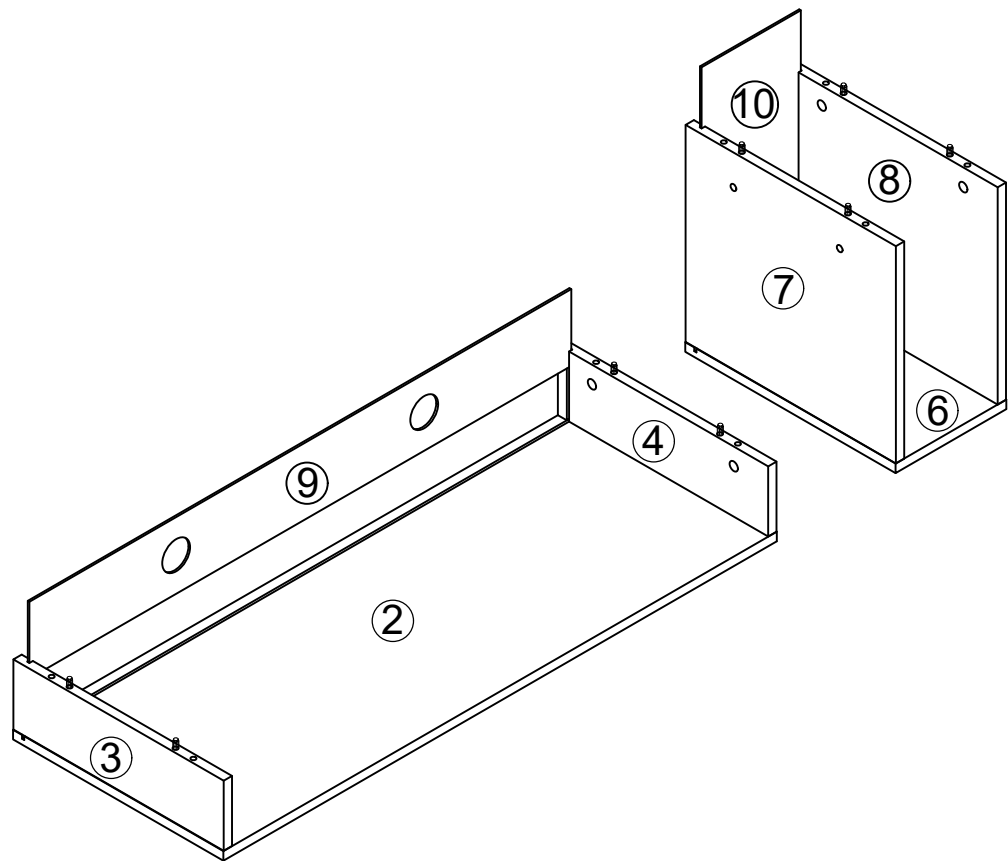
D	3.5*14	L1
		
	4PCS	1PCS

P.5

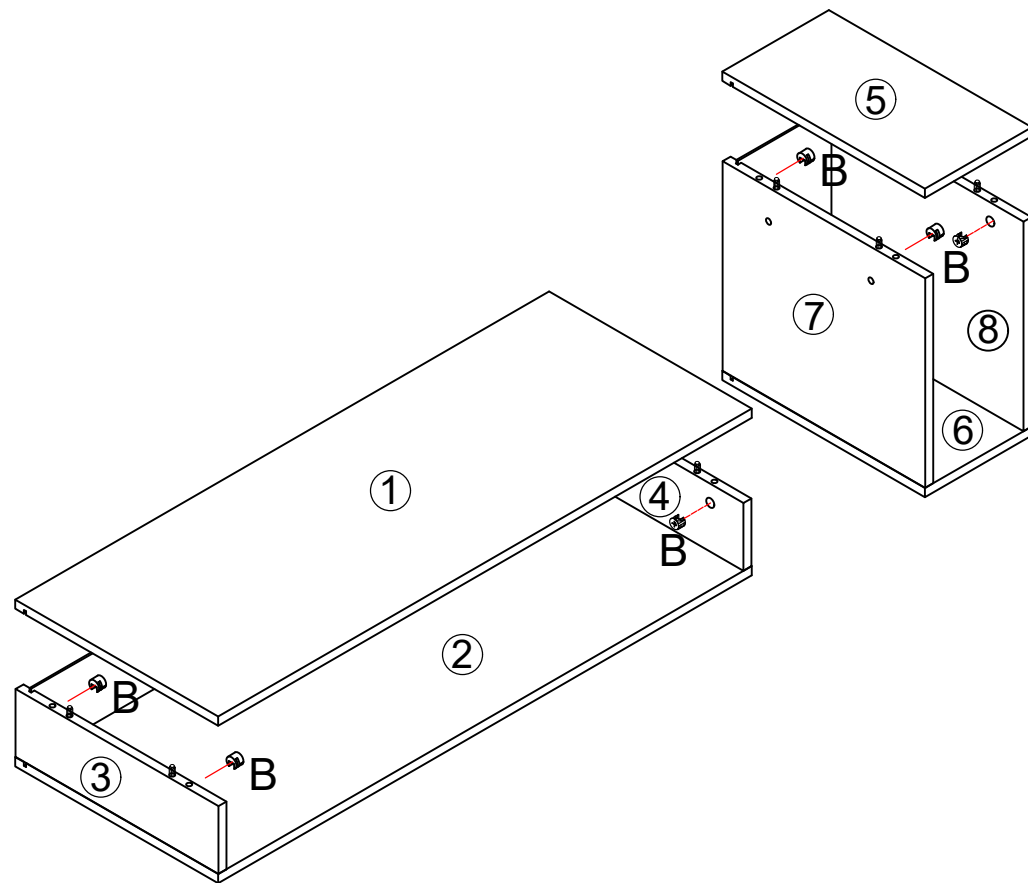


G	7*50
	
	8PCS

4



P.6

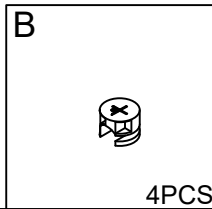
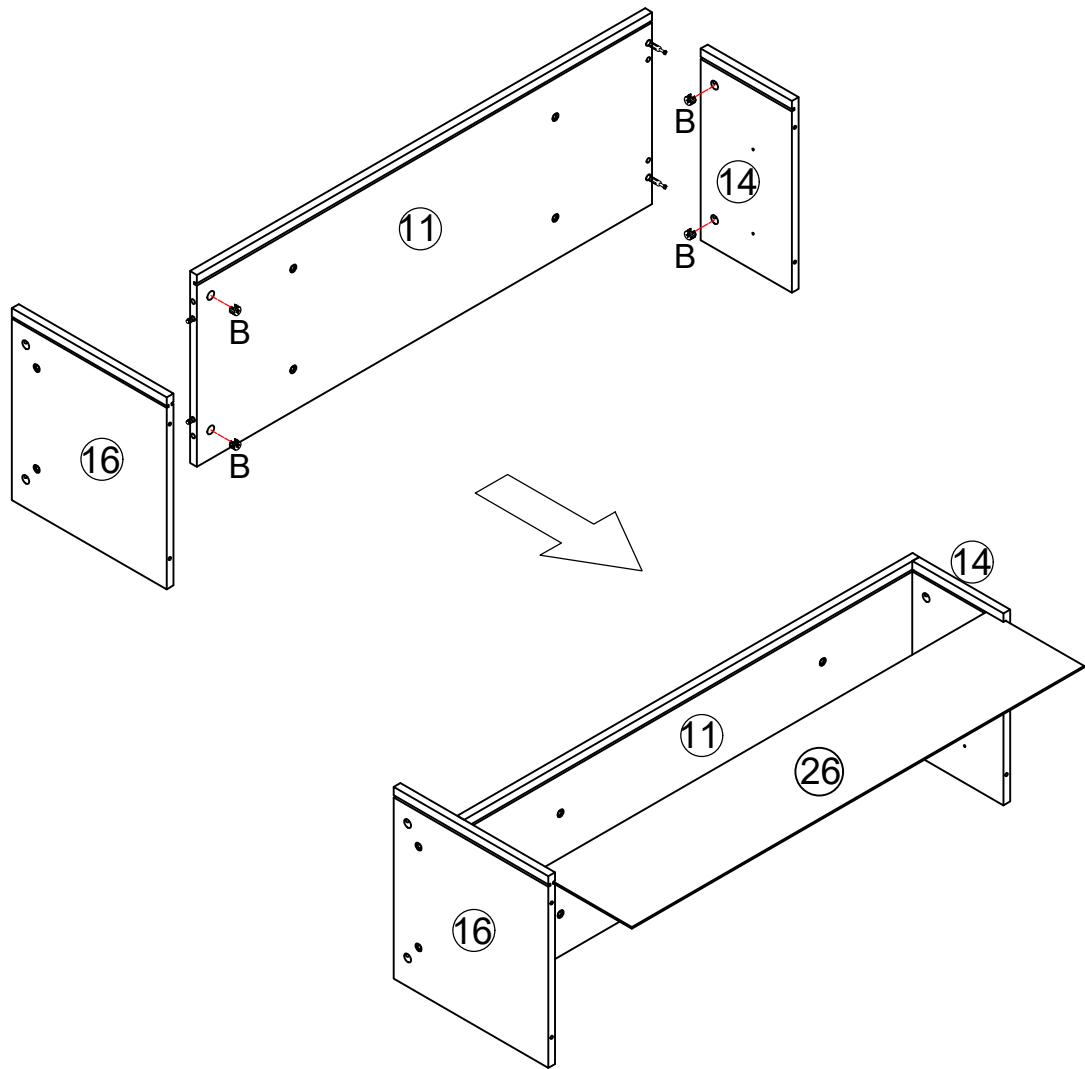


B

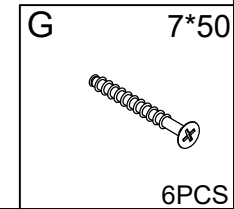
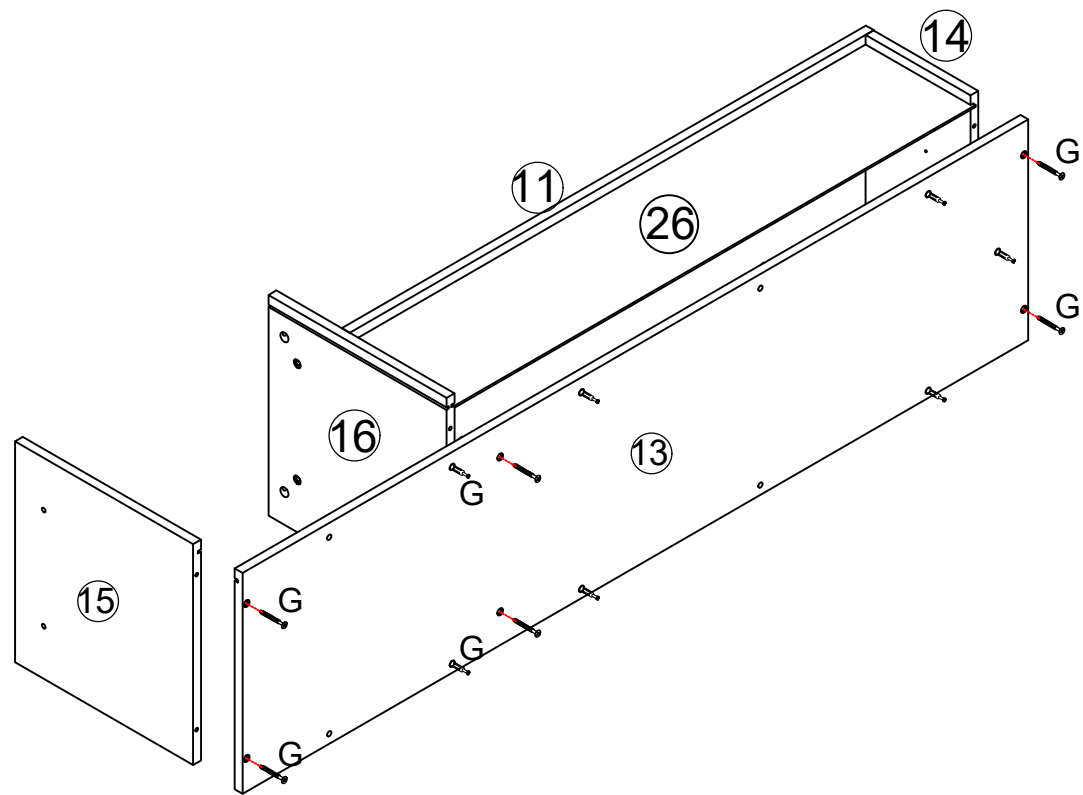


8PCS

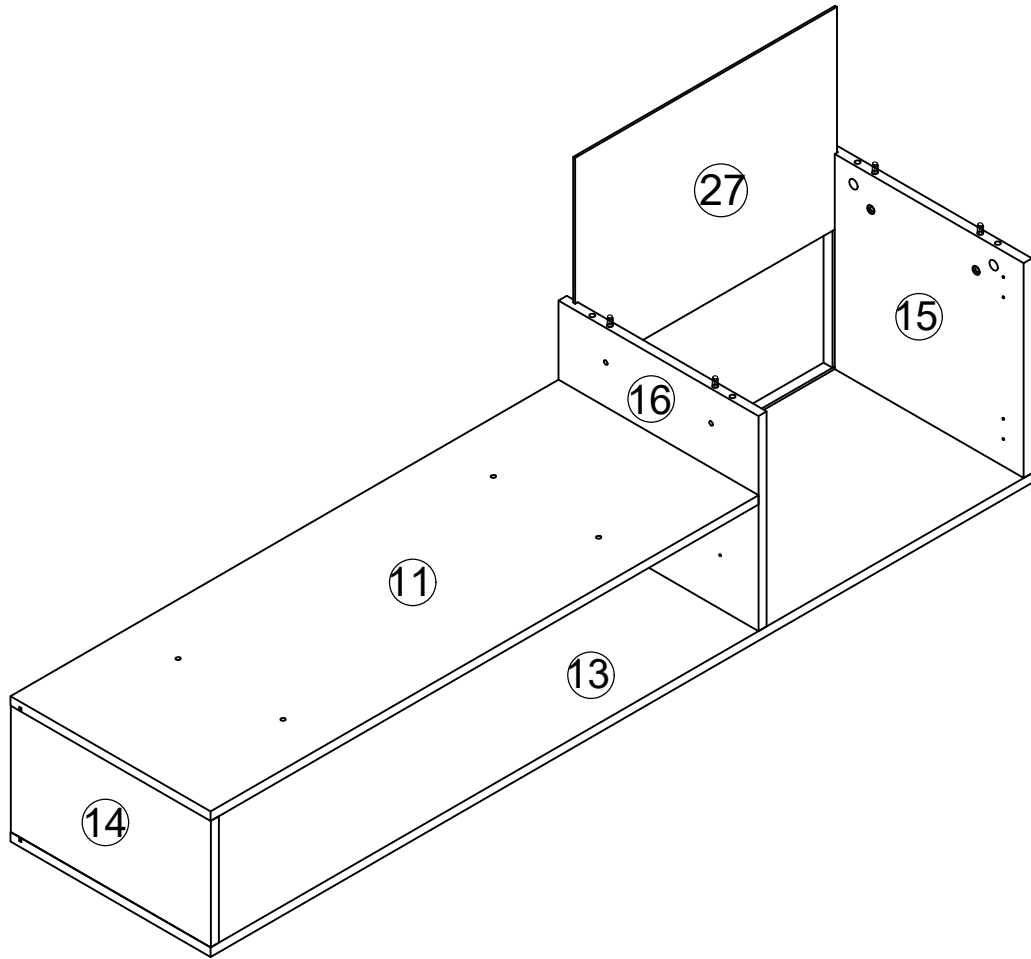
5



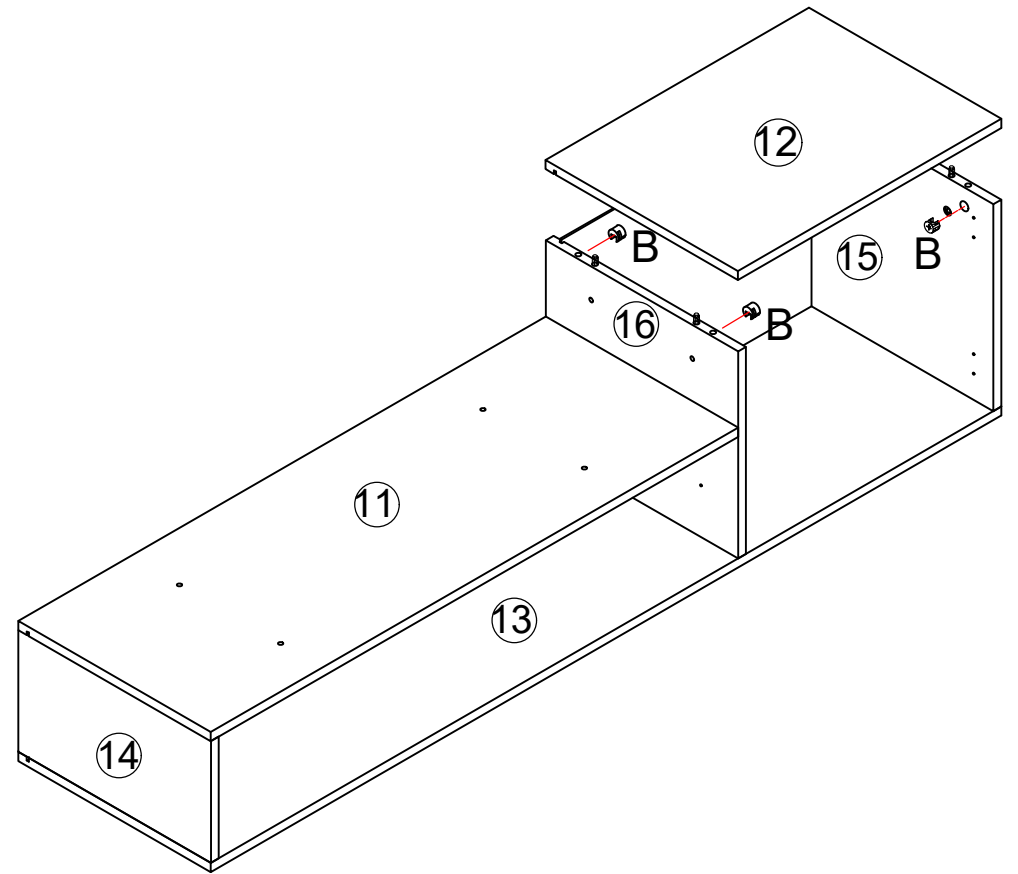
P.7



6



P.8



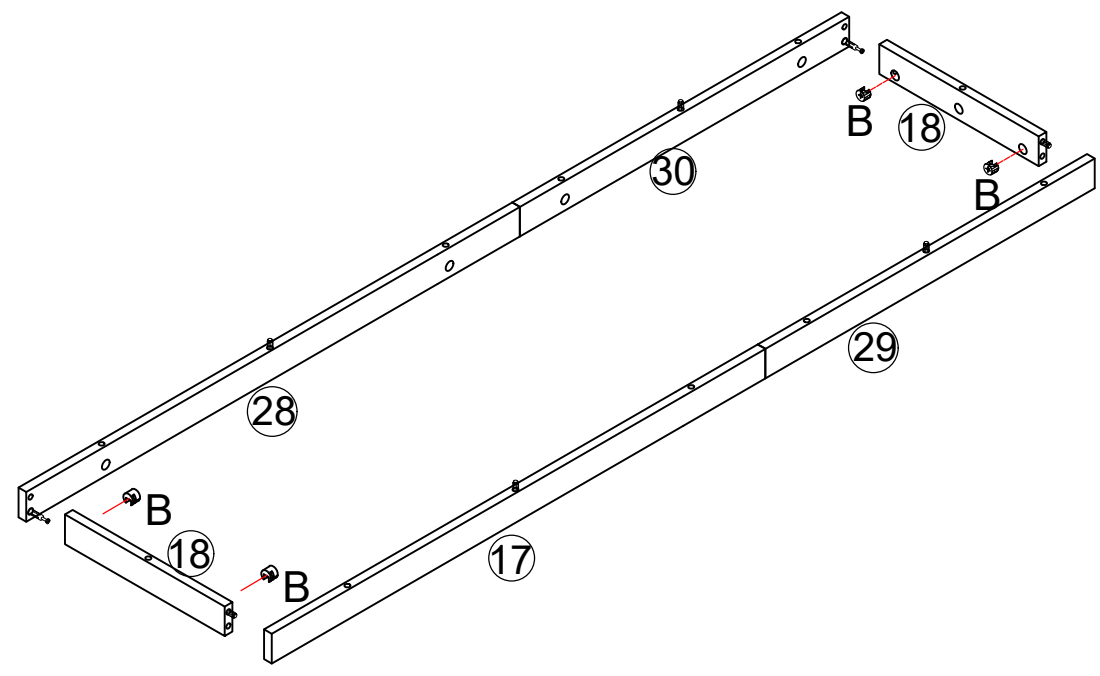
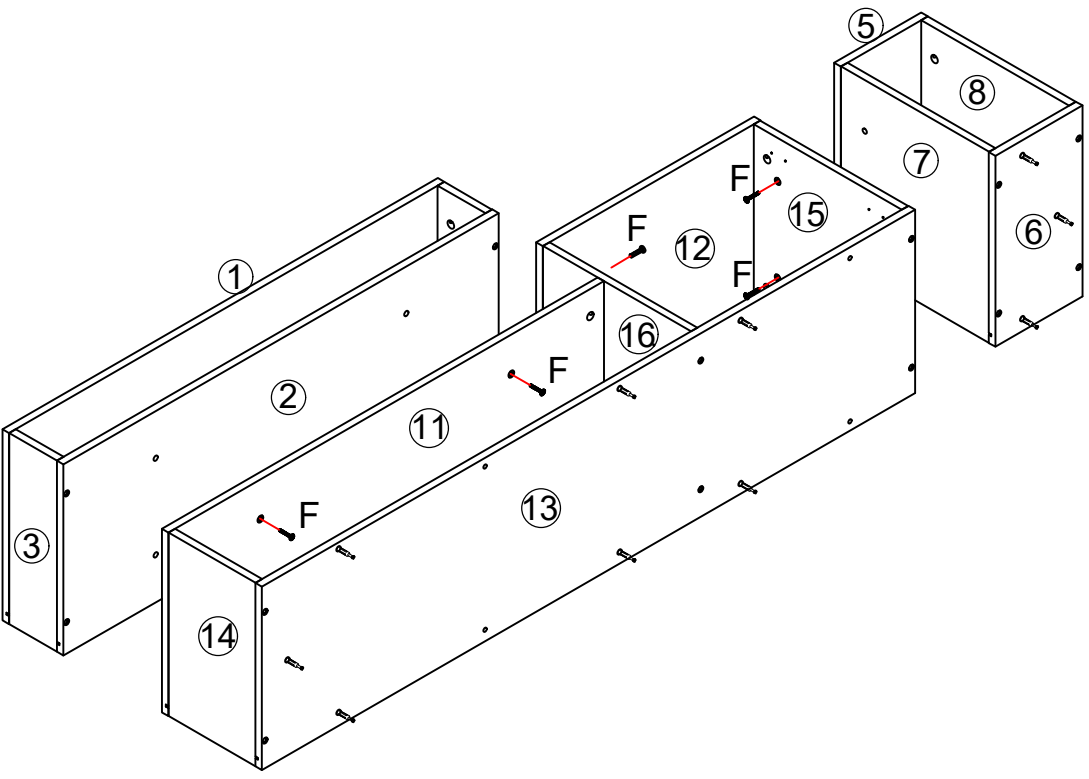
B




4PCS

7

P.9




F 6*20

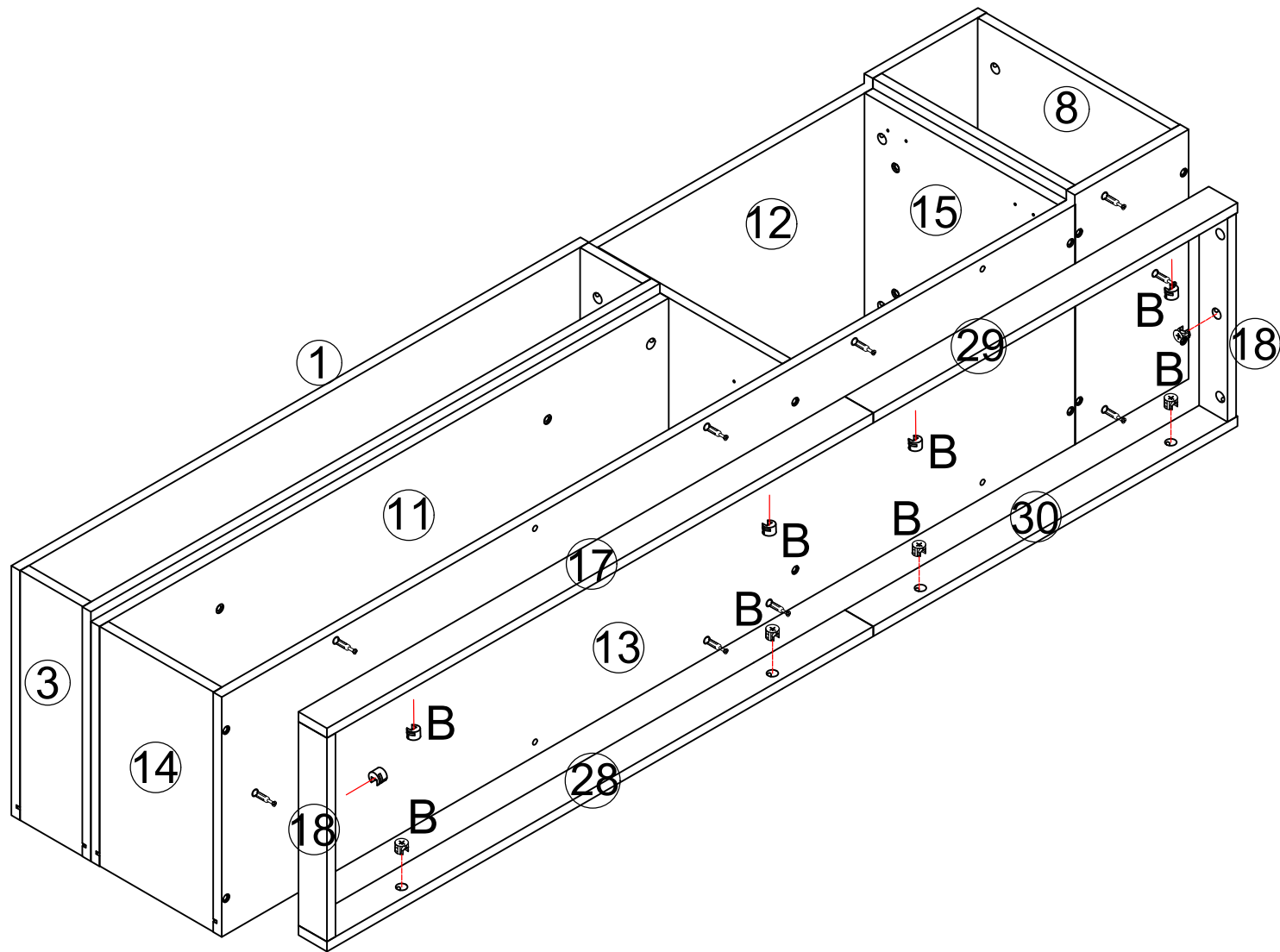


8PCS


B



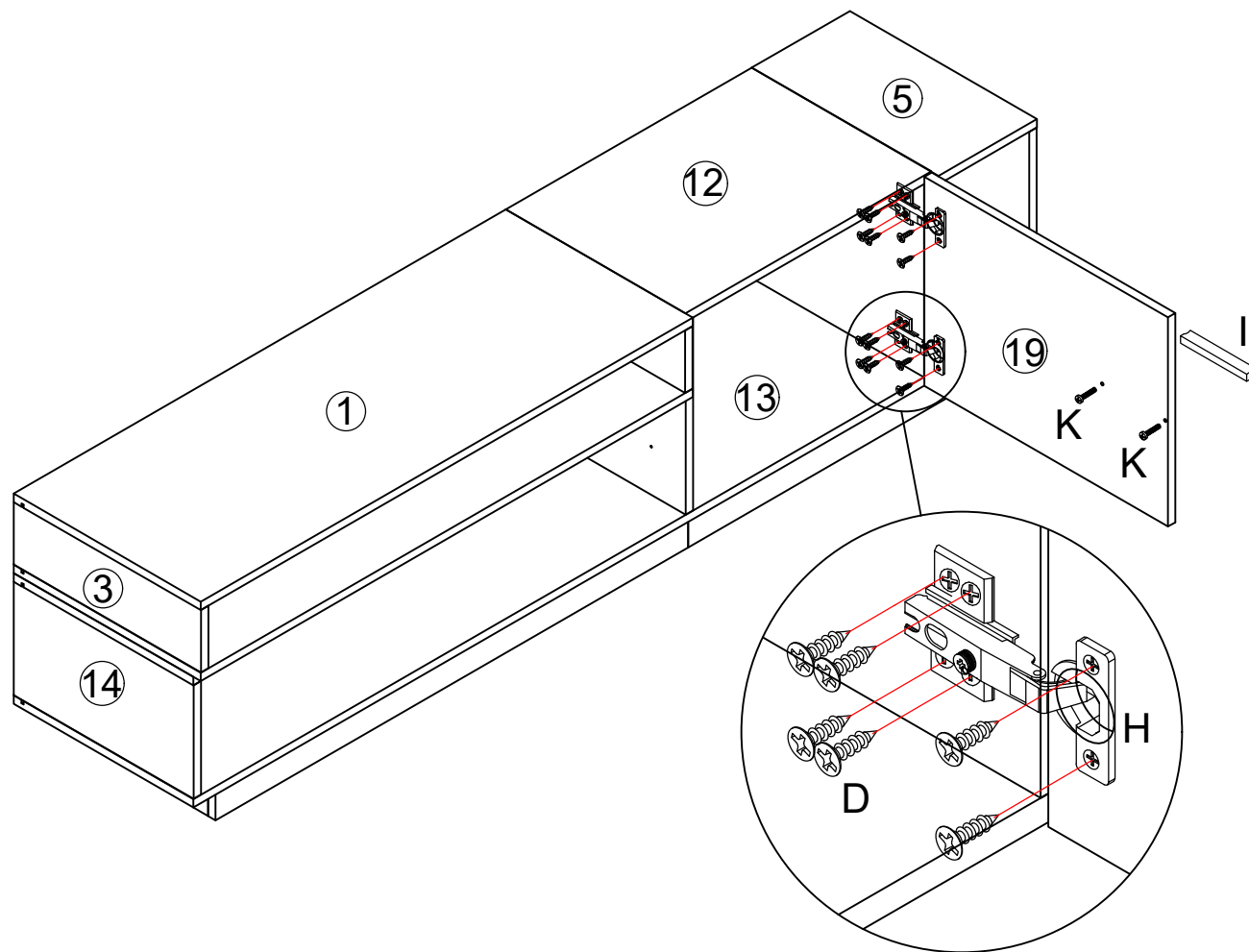
4PCS



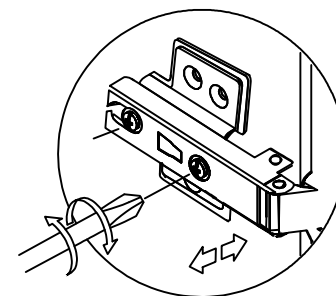
B



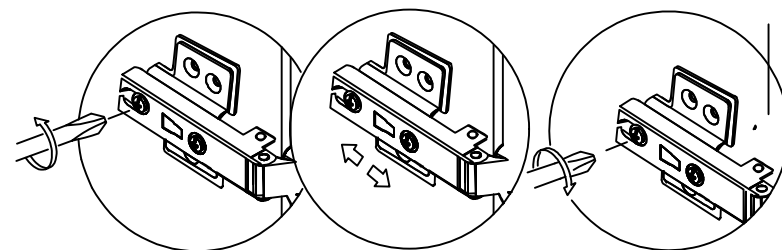
10PCS



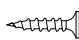
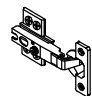
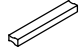

If the door can't close, please adjust the hinges.

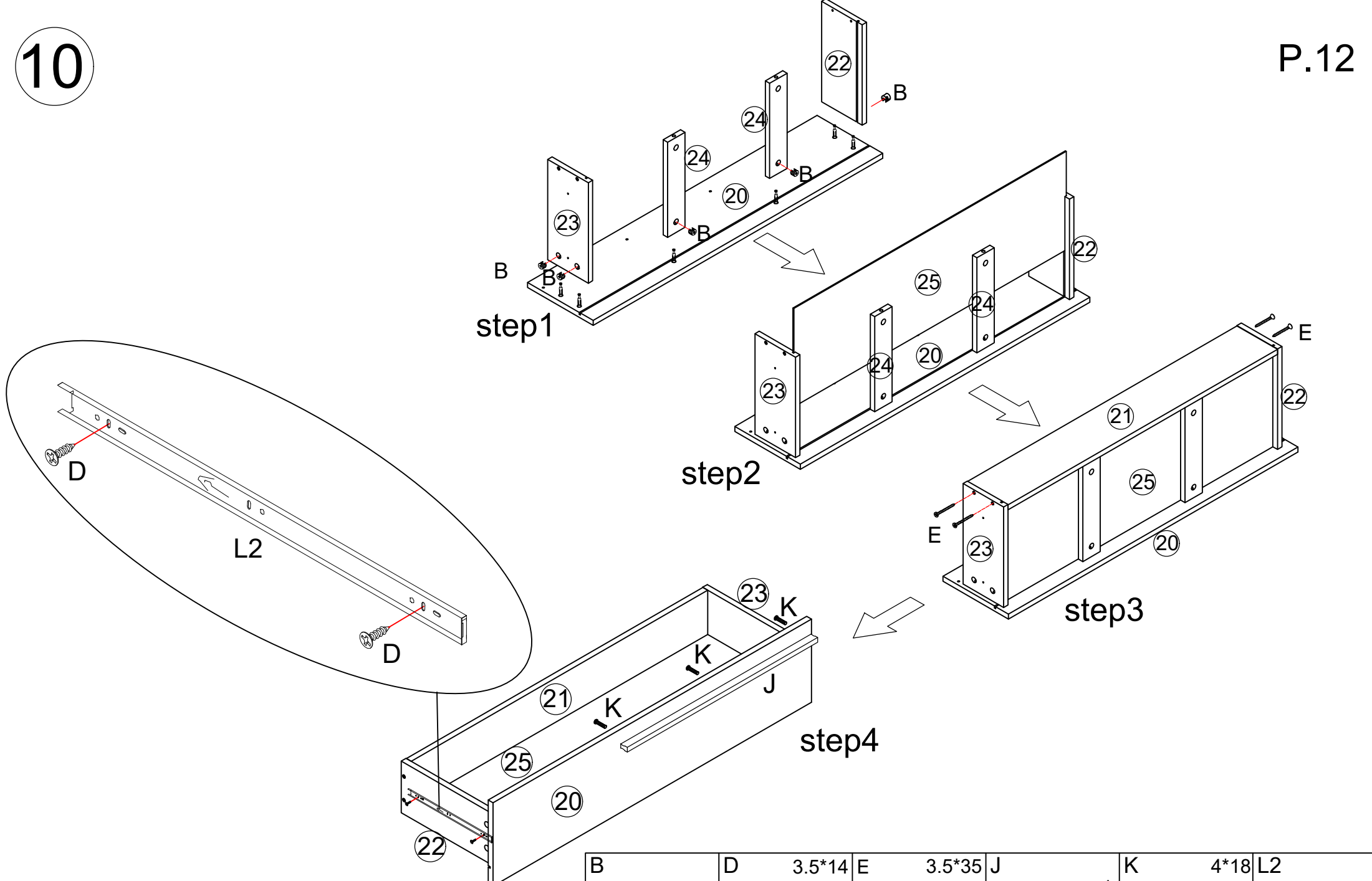



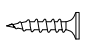
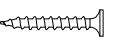
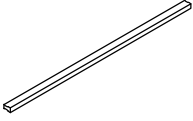

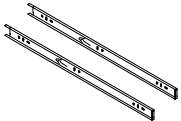
This is used to adjust the door panel in the up and down direction.



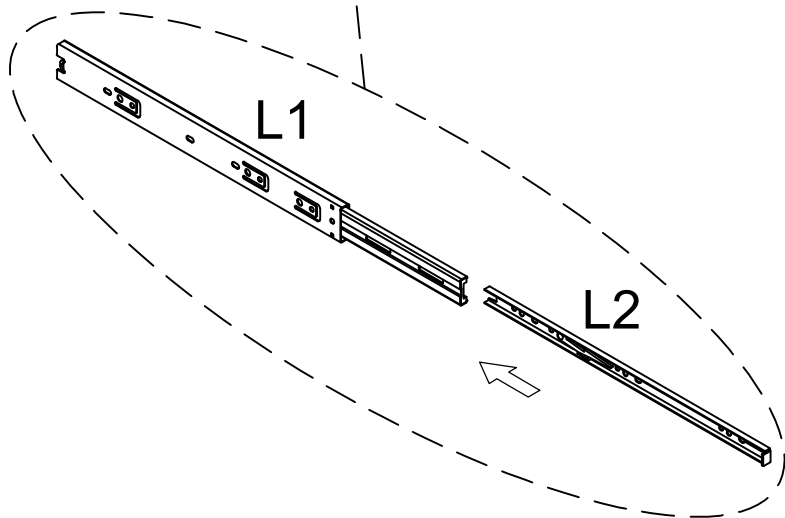
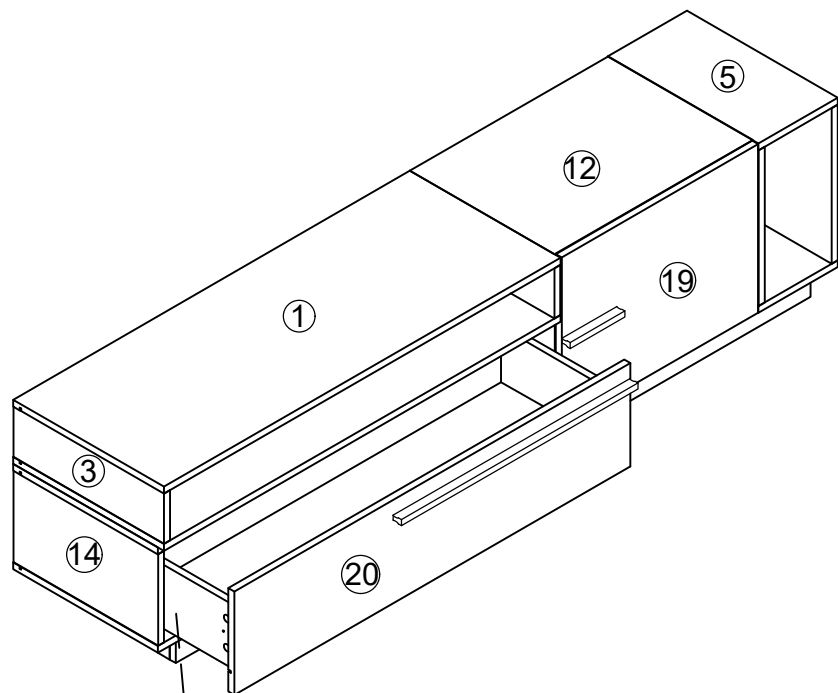
This is used to adjust the door panel in the front and back direction: Loosen the screw first, and then tighten screw after adjusting the door panel to the proper position.

D	3.5*14	H	I	K	4*18
					
12PCS		2PCS	1PCS	2PCS	



B	D 3.5*14	E 3.5*35	J	K 4*18	L2
					
8PCS	4PCS	4PCS	1PCS	3PCS	1PCS

11



Note: No. 19 20 board with protective film. Please tear it off after installation !

