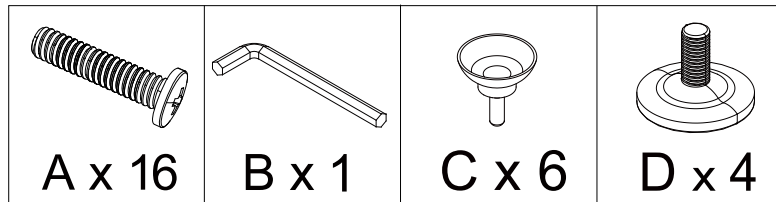
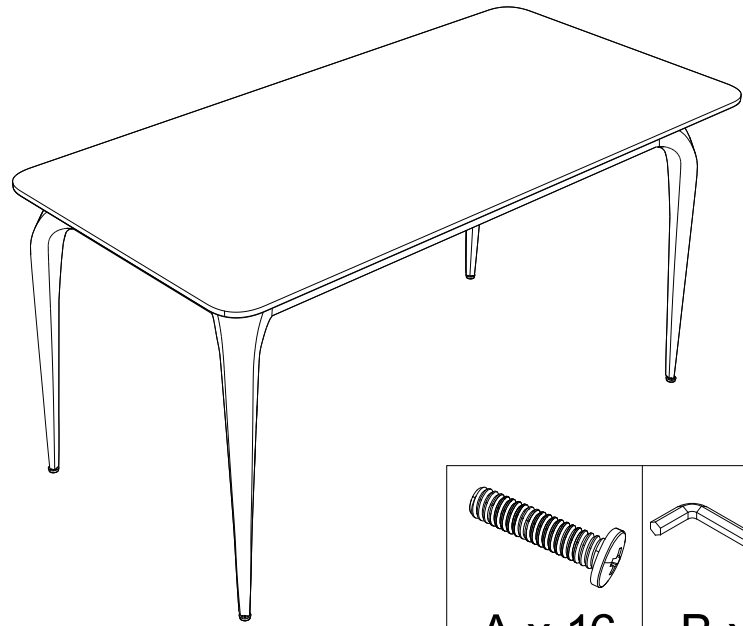
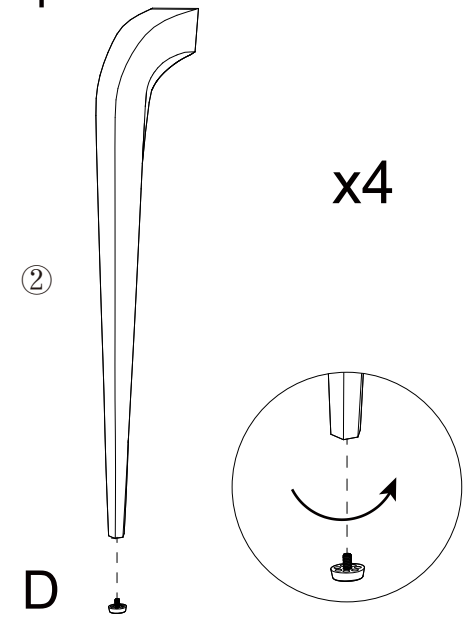


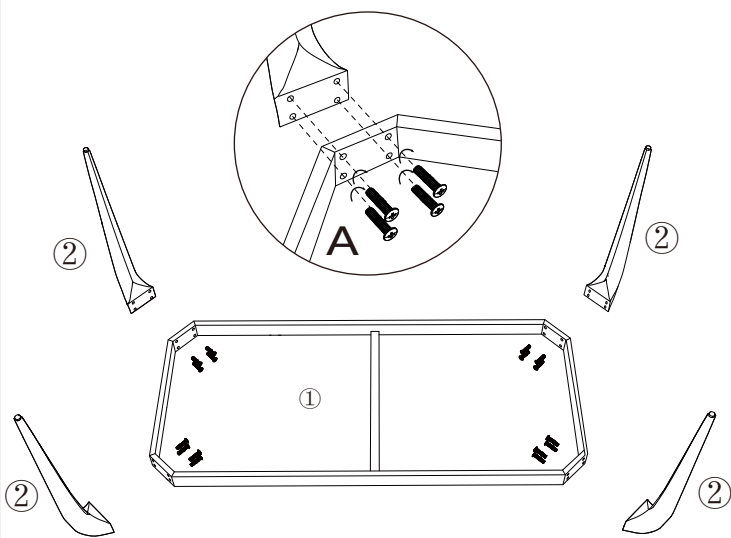
# ASSEMBLY INSTRUCTION



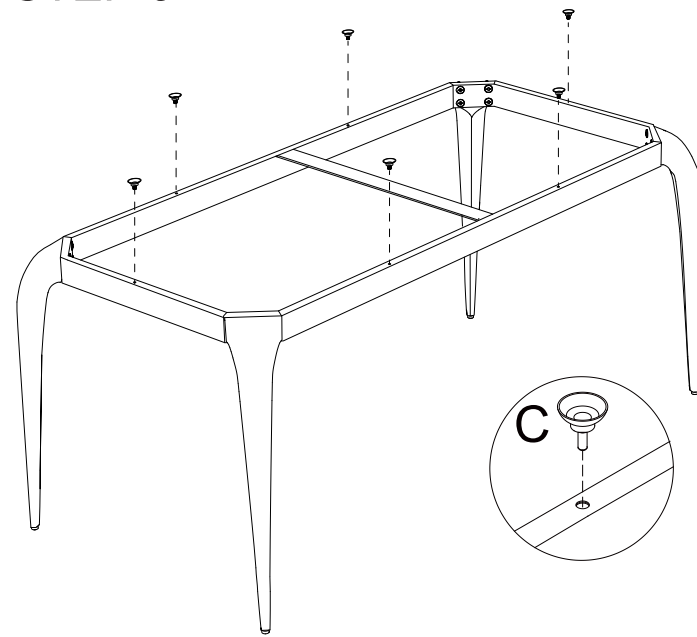
## STEP 1



## STEP 2



## STEP 3



## STEP 4

