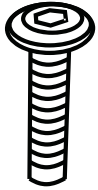


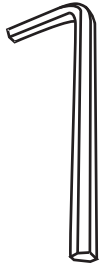
# Assembling Instruction

Ax12

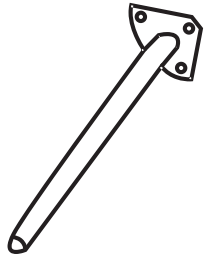


M6x18MM

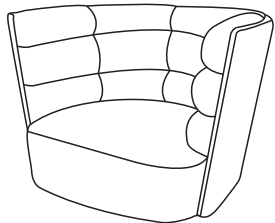
Bx1



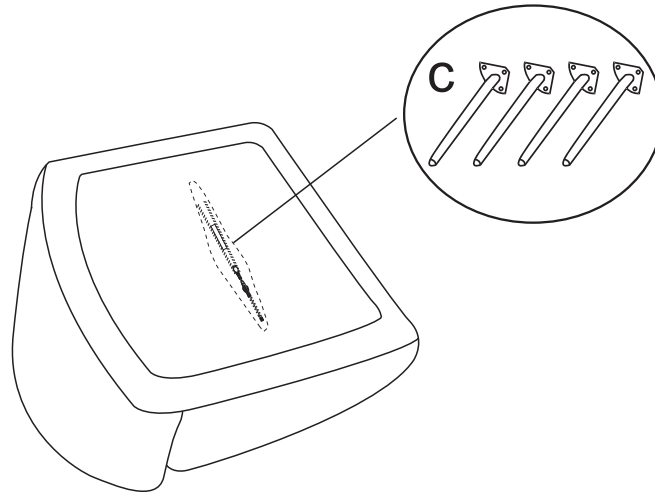
Cx4



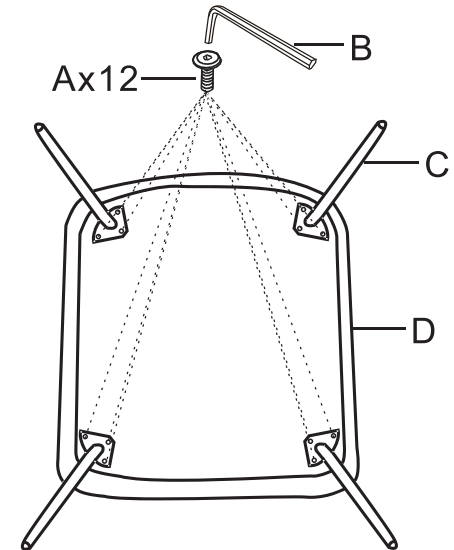
Dx1



①



②



③

