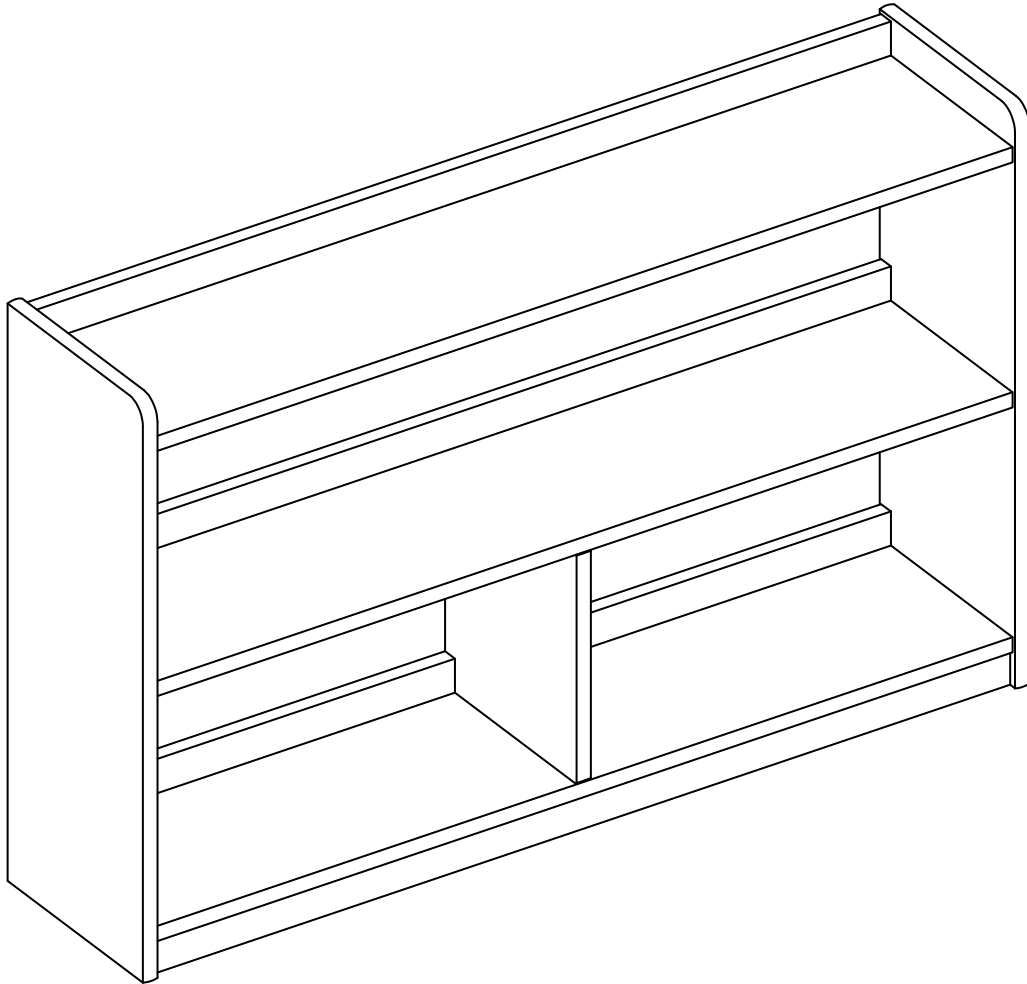


ASSEMBLY INSTRUCTIONS



WARNING!

Serious or fatal injuries can occur from furniture tip over. Use tip over restraint (provided) to secure this product to the wall.

Description	: ABBY BOOKCASE 48X11X30H
Item No.	: SH-14830

BEFORE ASSEMBLY

Thank you for purchasing this quality product. This product has been designed for easy assembly and constructed for durability. All parts were checked prior to packaging to insure quality. Prior to beginning assembly, however, make sure all parts and hardware are included and free of obvious defect. If a part is missing or defective, please contact the store where purchased. If hardware is missing, or you need help with assembly, please call toll free 888-944-8396.

IMPORTANT NOTE:

- Place all wooden parts on a clean and smooth surface such as a rug or carpet to avoid the parts from being scratched.
- Remove all wrapping material, including staples & packing straps before you start to assemble.
- DO NOT tighten all screws and bolts until completely assembled.
- Keep all hardware parts out of reach of children.

WARNING:

Long exposure to rubber or soft plastic may cause a chemical reaction and damage the finish of your product. Protect the surface of the product with cloth if you are using any product with rubber feet or base.

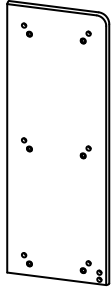
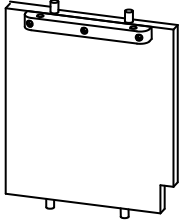
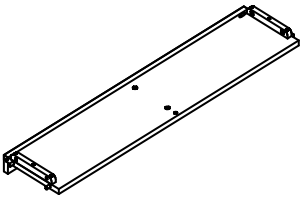
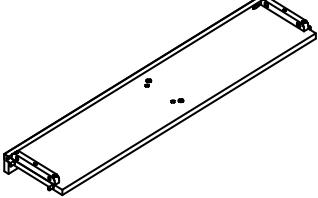
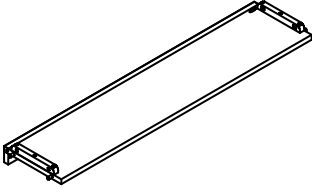
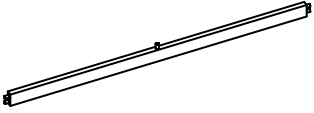
ASSEMBLY TOOLS REQUIRED

NOT INCLUDED



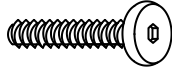


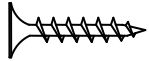
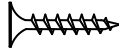
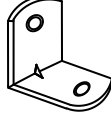
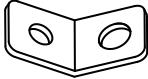
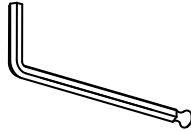
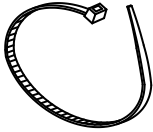
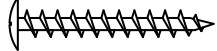
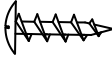
PART LIST

When unpacking, please be careful not to discard any parts with the packaging. Before continuing, please make sure you have the following parts:

NO	Description	Q'ty	Sketch	NO	Description	Q'ty	Sketch
A	Side panel (L-R)	2		B	Vertical panel	1	
C	Bottom panel	1		D	Center panel	1	
E	Top panel	1		F	Connector	1	

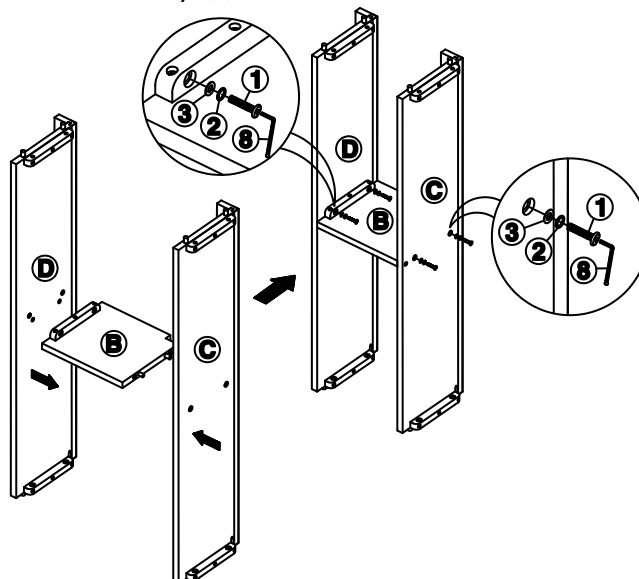
HARDWARE LIST

When unpacking, please be careful not to discard any parts with the packaging. Before continuing, please make sure you have all of the following hardware:

NO	Description	Q'ty	Sketch	NO	Description	Q'ty	Sketch
1	Bolt (M6 x 30mm)	16		2	Lock Washer (Φ6.5 x 11mm)	16	
3	Flat Washer (Φ6.5 x 13mm)	16		4	Long screw (M4 x 35mm)	8	
5	Short screw (M3.5 x 15mm)	6		6	L-bracket	3	
7	Steel Tip Bracket	4		8	Allen Key (M4 x 30mm x 110mm)	1	
9	Flat Nylon Tie	2		10	Long Pan head screw (M4 x 50mm)	2	
11	Short Pan head screw (M4 x 15mm)	2					

STEP 1

Insert vertical panel (B) into the bottom panel (C), and center panel (D) as shown below. Then attach vertical panel (B) to the bottom panel (C), and center panel (D) with bolts (1), and washers (2) and (3) as shown below. Tighten with Allen key (8).



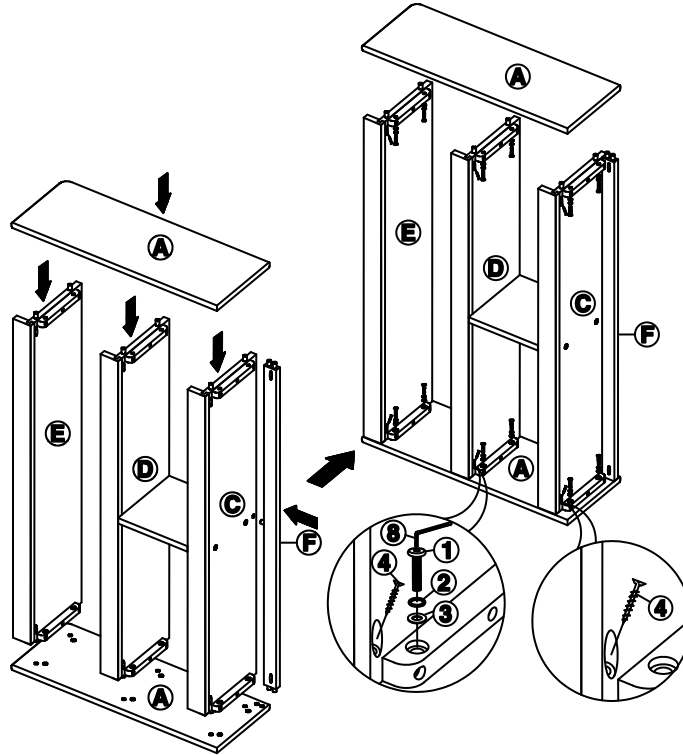
ITEM NO.: SH-14830
REVISED APR 09, 2020

Printed in Vietnam

STEP 2

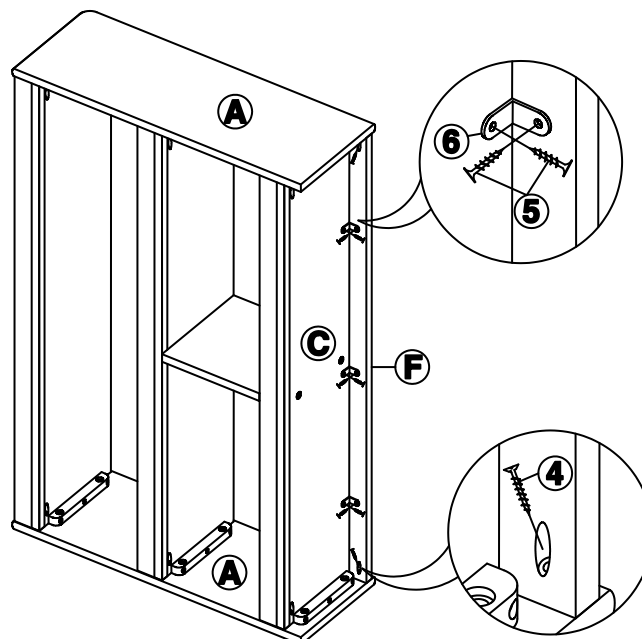
Insert connector (F), and bottom panel (C), and panels (D) and (E) into the side panels (A) as shown below. Then attach bottom panel (C), and panels (D) and (E) to the side panels (A) with bolts (1), and washers (2) and (3) as shown below. Tighten with Allen key (8).

Attach bottom panel (C), and panels (D) and (E) and connector (F) to the side panels (A) with screws (4) as shown below. Tighten with a screwdriver.



STEP 3

Attach connector (F) to side panels (A) with screws (4) as shown below. Tighten with a screwdriver. Attach L-brackets (6) to bottom panel (C) and connector (F) with screws (5) as shown below. Tighten with a screwdriver.



STEP 4

Attach brackets (7) to the back of the unit with screws (11) through the smaller holes in the brackets as shown below.

Important!

Properly attach the other brackets (7) to the wall in an area of **drywall or plaster with a wood stud**: Mark the attachment point(s) with a pencil at the appropriate height **positioned over the wood stud(s) in the wall**.

Place the unit into position so both mounting brackets are vertically in line.

Properly attach the other brackets (7) to the wall stud with screws (10) through the smaller holes in the wall as shown below.

Lace the end of flat nylon ties (9) through the larger holes in each mounting bracket. Bring both ends together and slide the flat ends through the locking ends and draw it through until all slack is removed.

Confirm that the strap is securely laced and locked.

