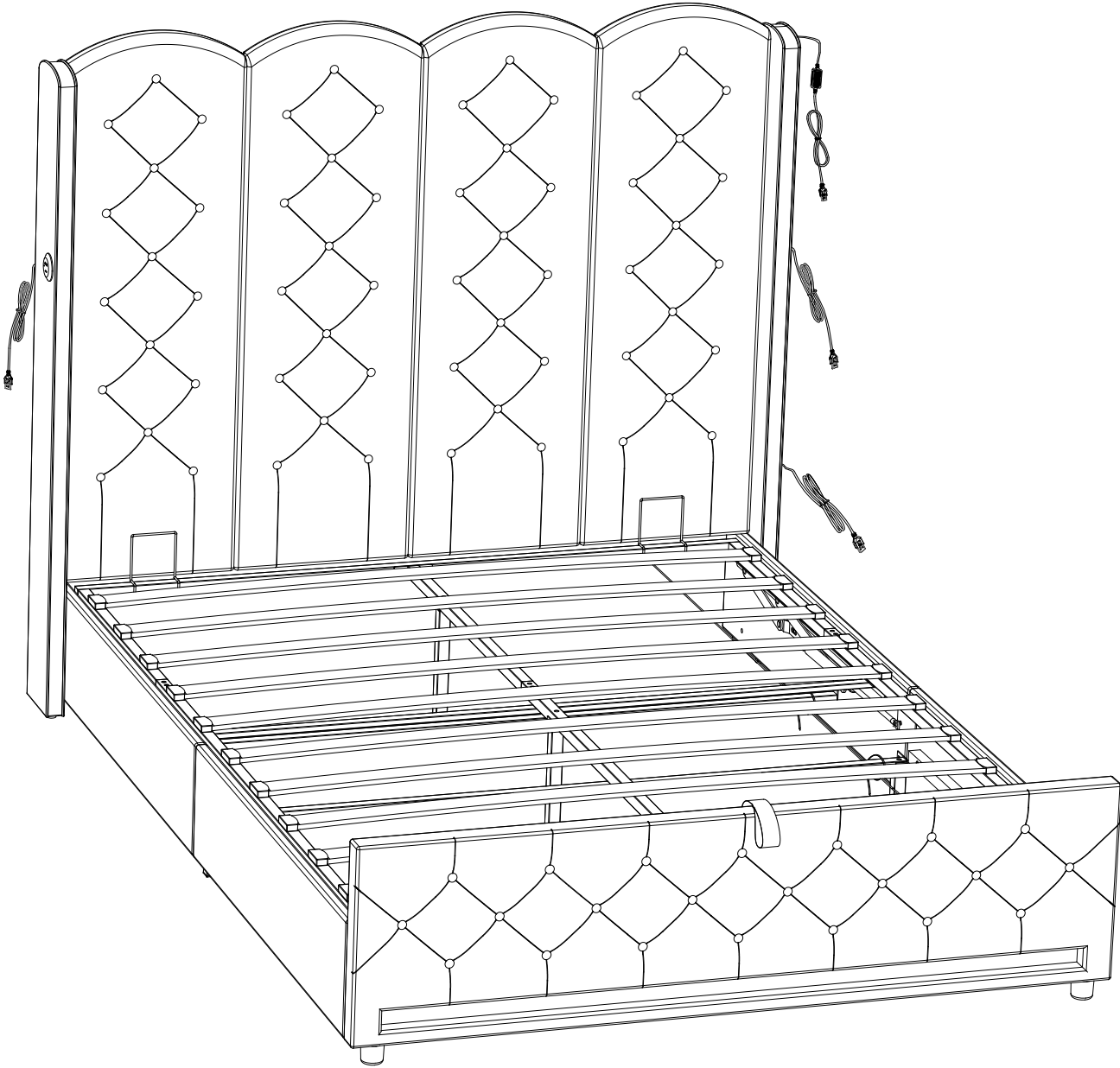


# ASSEMBLY INSTRUCTION



## **Brand Concept**

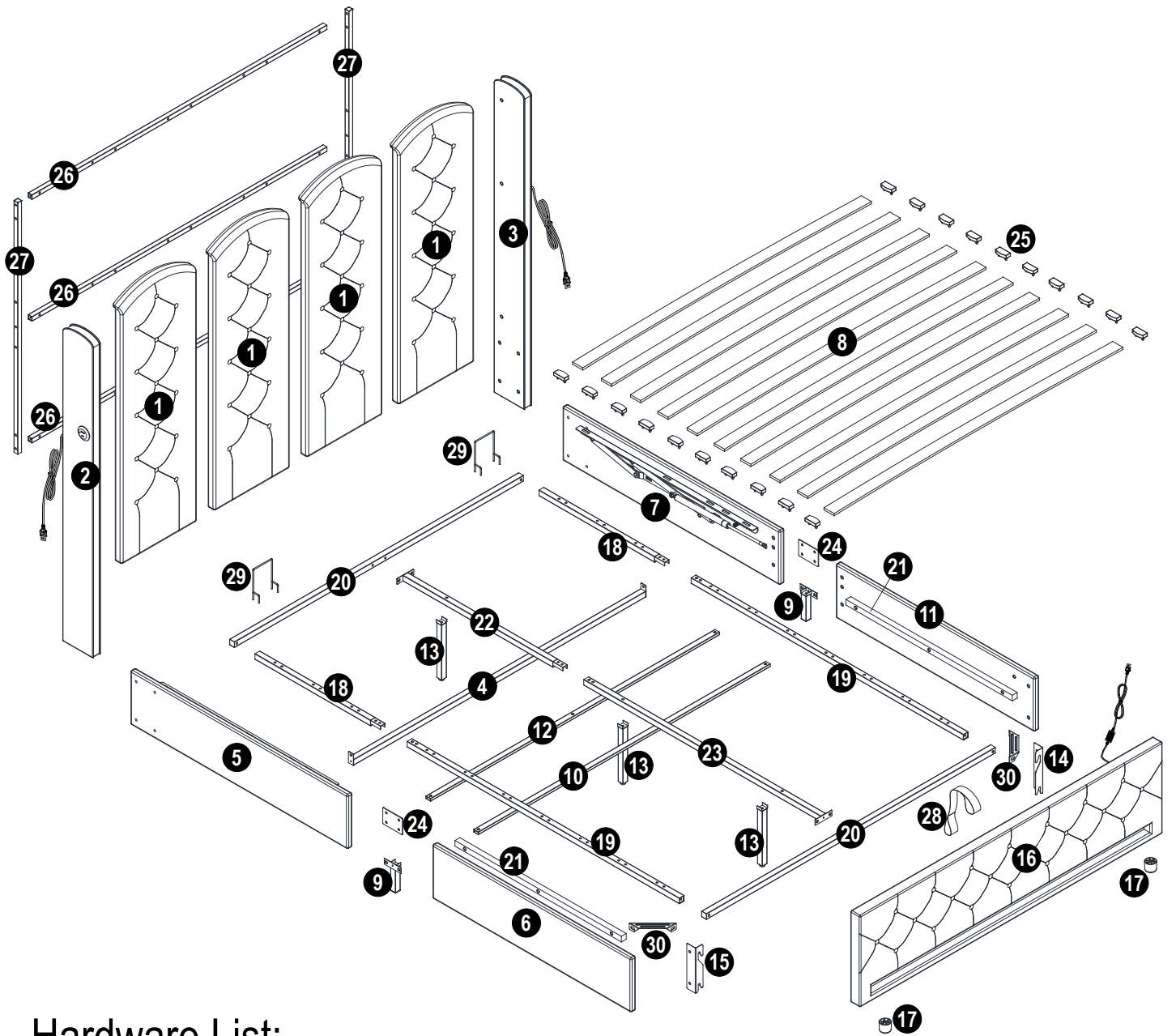
With over two decades of craftsmanship and manufacturing expertise, we blend thoughtful design with advanced production technology. Every piece is built to meet the standards of leading global brands, delivering exceptional quality you can trust.

Your satisfaction is at the heart of everything we do. If you experience any issues, please feel free to reach out to us—we are always here to help.

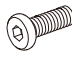
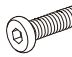

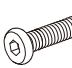
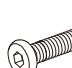
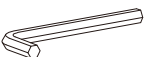


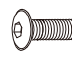
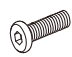
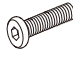
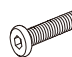
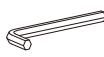






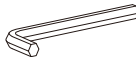
**Reminder:** Please ensure the product is used according to the instructions for the best experience.

## **Our Service**

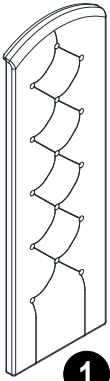
- **60-Day Parts Guarantee** — Free replacement for any missing or damaged parts.
- **90-Day Quality Assurance** — We will assist you with any quality-related issues.
- **24-Hour Customer Support** — Our team is available around the clock to provide fast and friendly assistance.



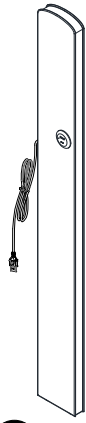
### Hardware List:

Ⓐ x 24	Ⓑ x 8	Ⓒ x 7	Ⓓ x 8	Ⓔ x 8	Ⓕ x 1	
						
M8 x 15 mm	M8 x 25 mm	M8 x 35 mm	M8 x 45 mm	M8 x 50 mm	M5	
Ⓖ x 16	Ⓗ x 6	Ⓘ x 6	Ⓙ x 14	Ⓚ x 3	Ⓛ x 24	Ⓜ x 1
						
M8	M8 x 35 mm	M8 x 35 mm	M6 x 15 mm	M6 x 25 mm	M6 x 35 mm	M4
Ⓝ x 35	Ⓞ x 2	Ⓟ x 2	Ⓠ x 1	Ⓡ x 6	Ⓢ x 2	Ⓣ x 1
						
M6	5 x 60 mm			5 x 20 mm		M6

# Part List:



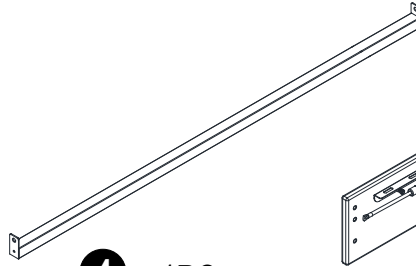
1 x 4PCS



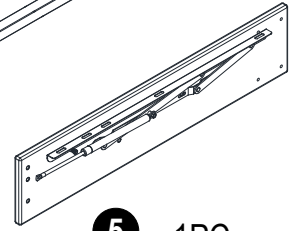
2 x 1PC



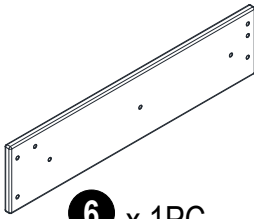
3 x 1PC



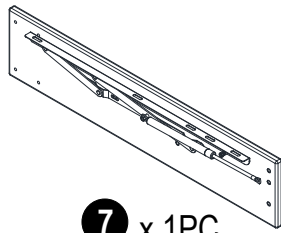
4 x 1PC



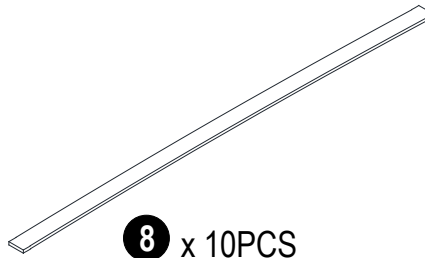
5 x 1PC



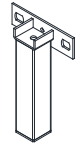
6 x 1PC



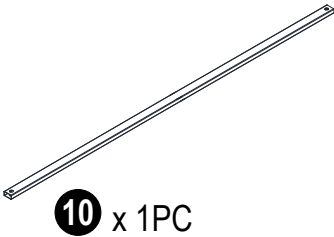
7 x 1PC



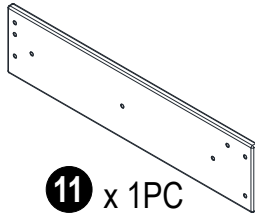
8 x 10PCS



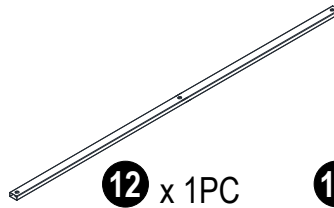
9 x 2PCS



10 x 1PC



11 x 1PC



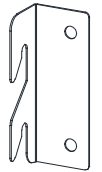
12 x 1PC



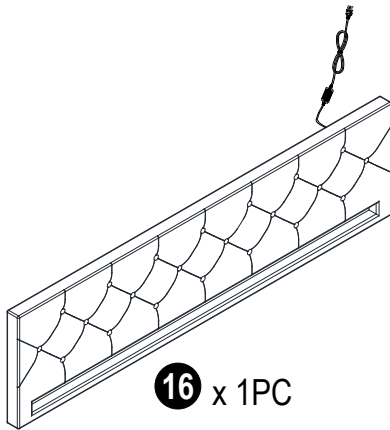
13 x 3PCS



14 x 1PC



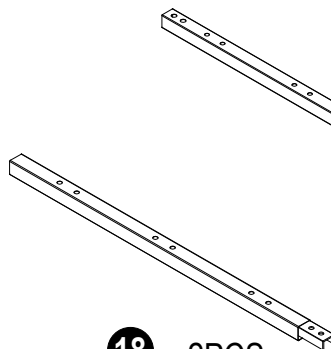
15 x 1PC



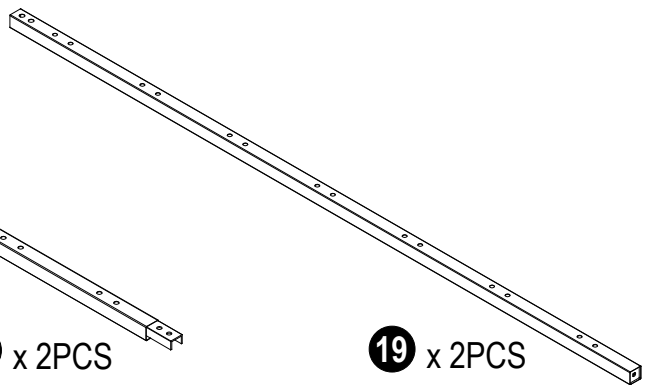
16 x 1PC



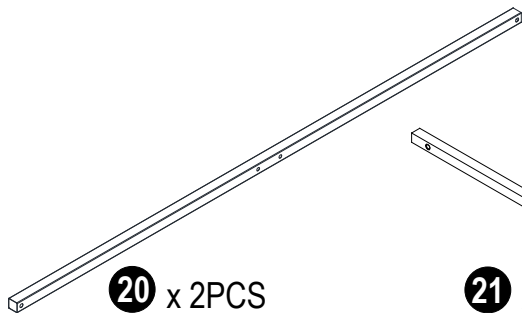
17 x 2PCS



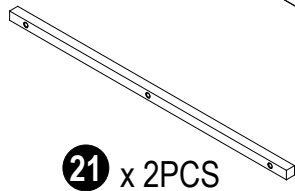
18 x 2PCS



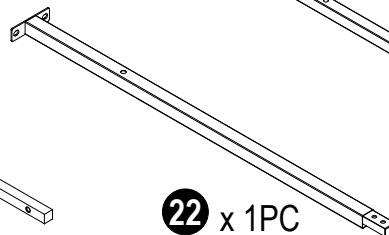
19 x 2PCS



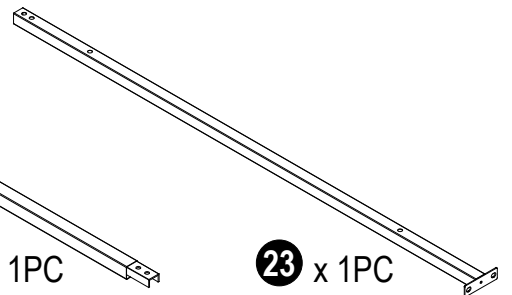
20 x 2PCS



21 x 2PCS

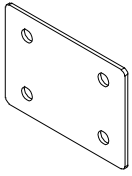


22 x 1PC

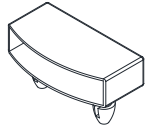


23 x 1PC

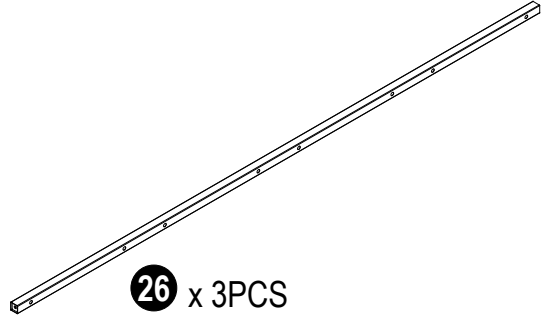
# Part List:



**24** x 2PC



**25** x 20PCS



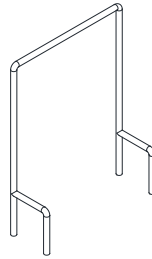
**26** x 3PCS



**27** x 2PCS



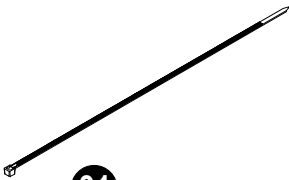
**28** x 1PC



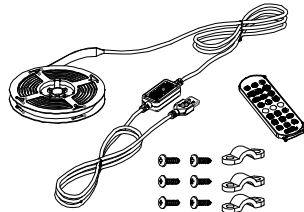
**29** x 2PCS



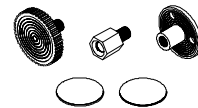
**30** x 2PCS



**31** x 2PCS



**32** x 1PC



**33** x 2PCS

# Step:1

Fx1

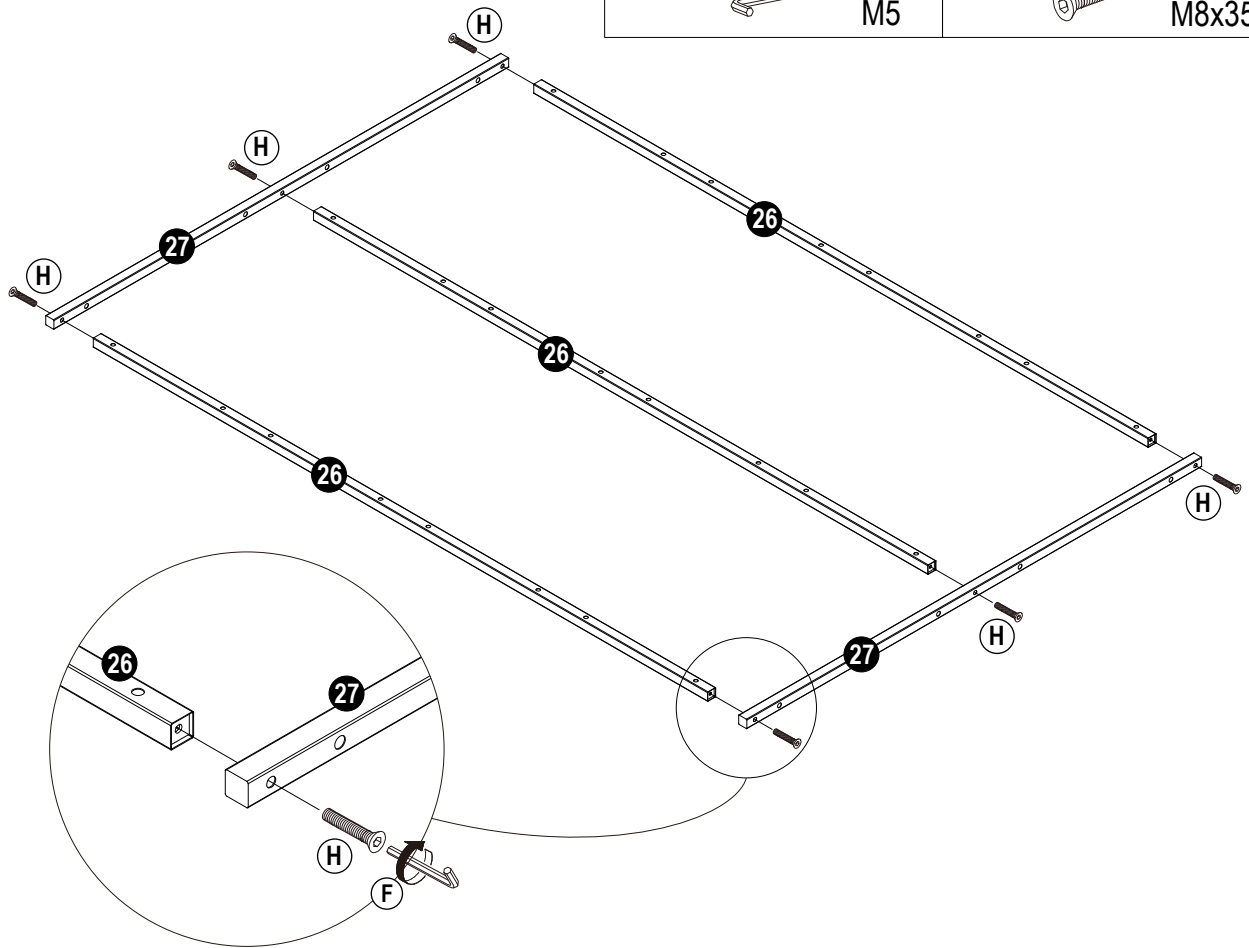


M5

Hx6



M8x35



# Step:2

Lx24



M6x35

Nx24

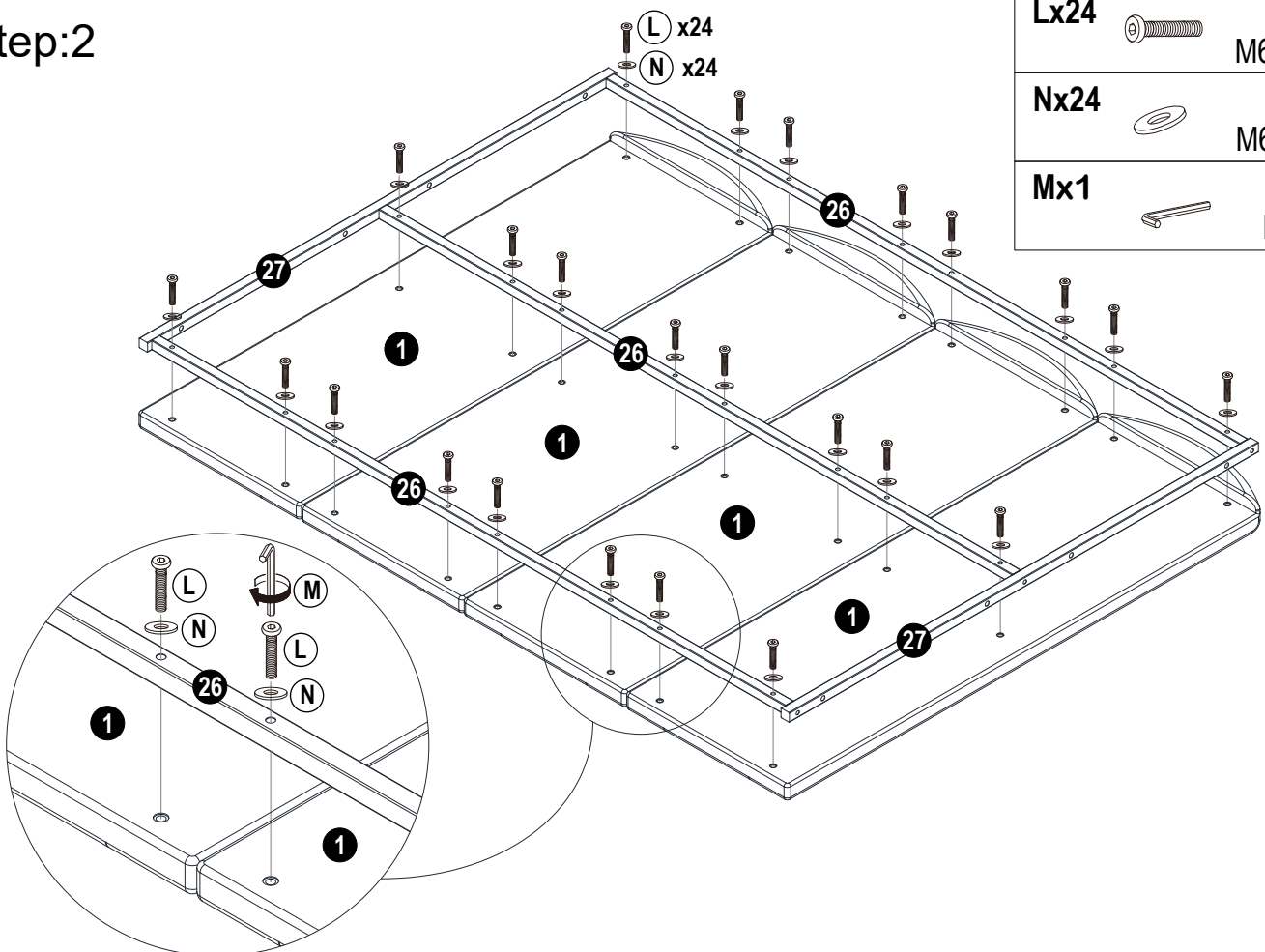


M6

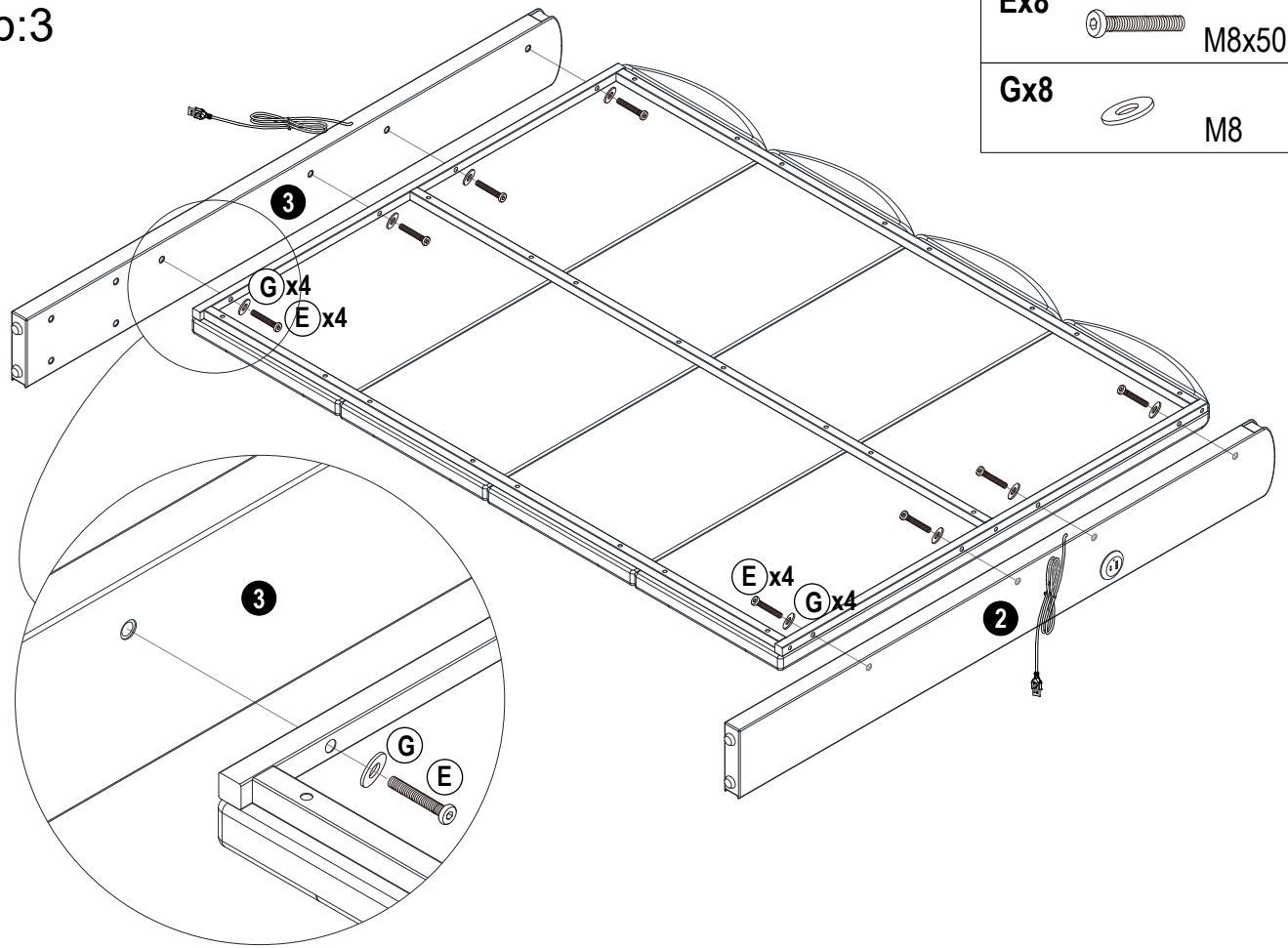
Mx1



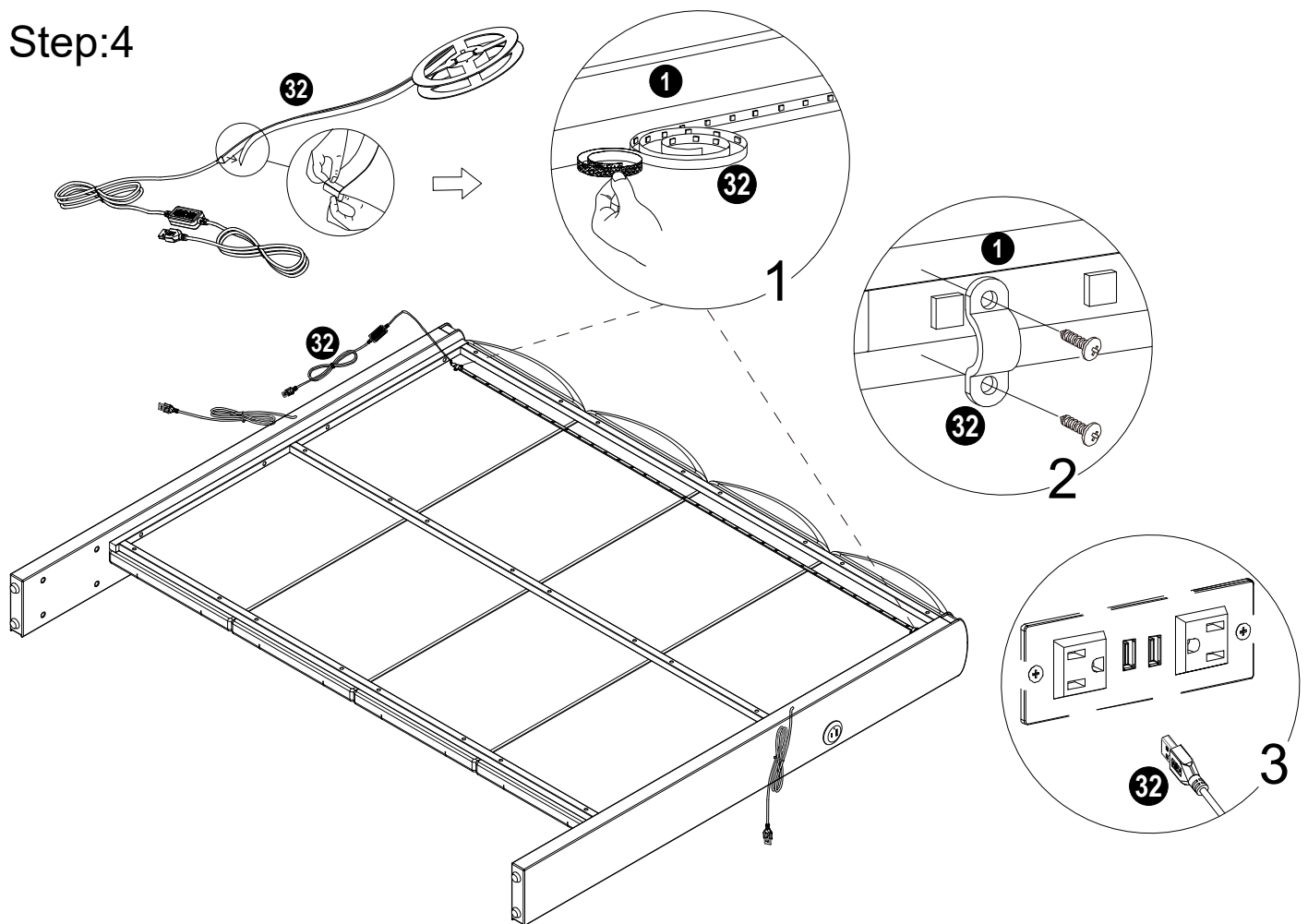
M4






### Step:3

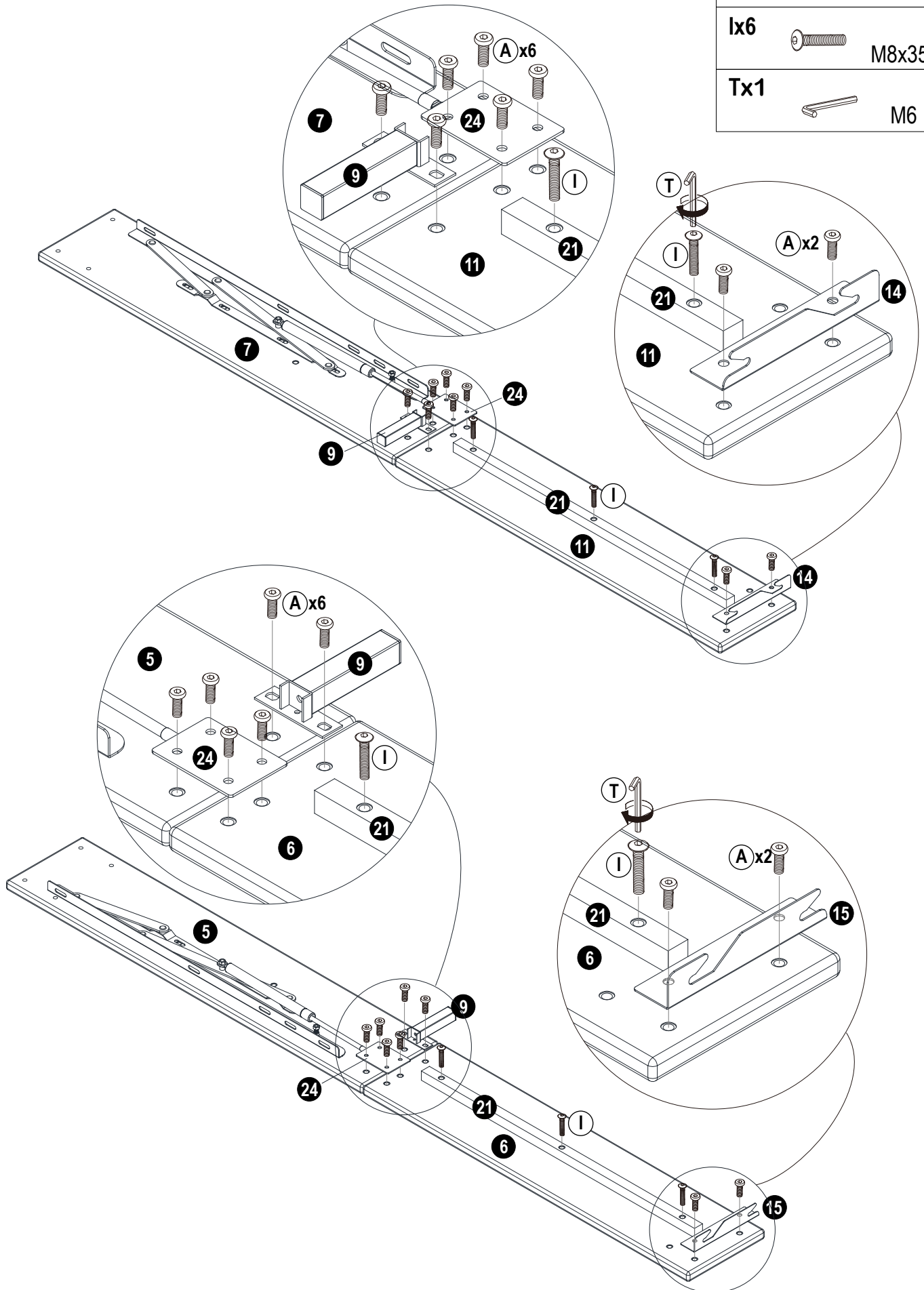


### Step:4



# Step:5

<b>Ax16</b>		M8x15
<b>Ix6</b>		M8x35
<b>Tx1</b>		M6



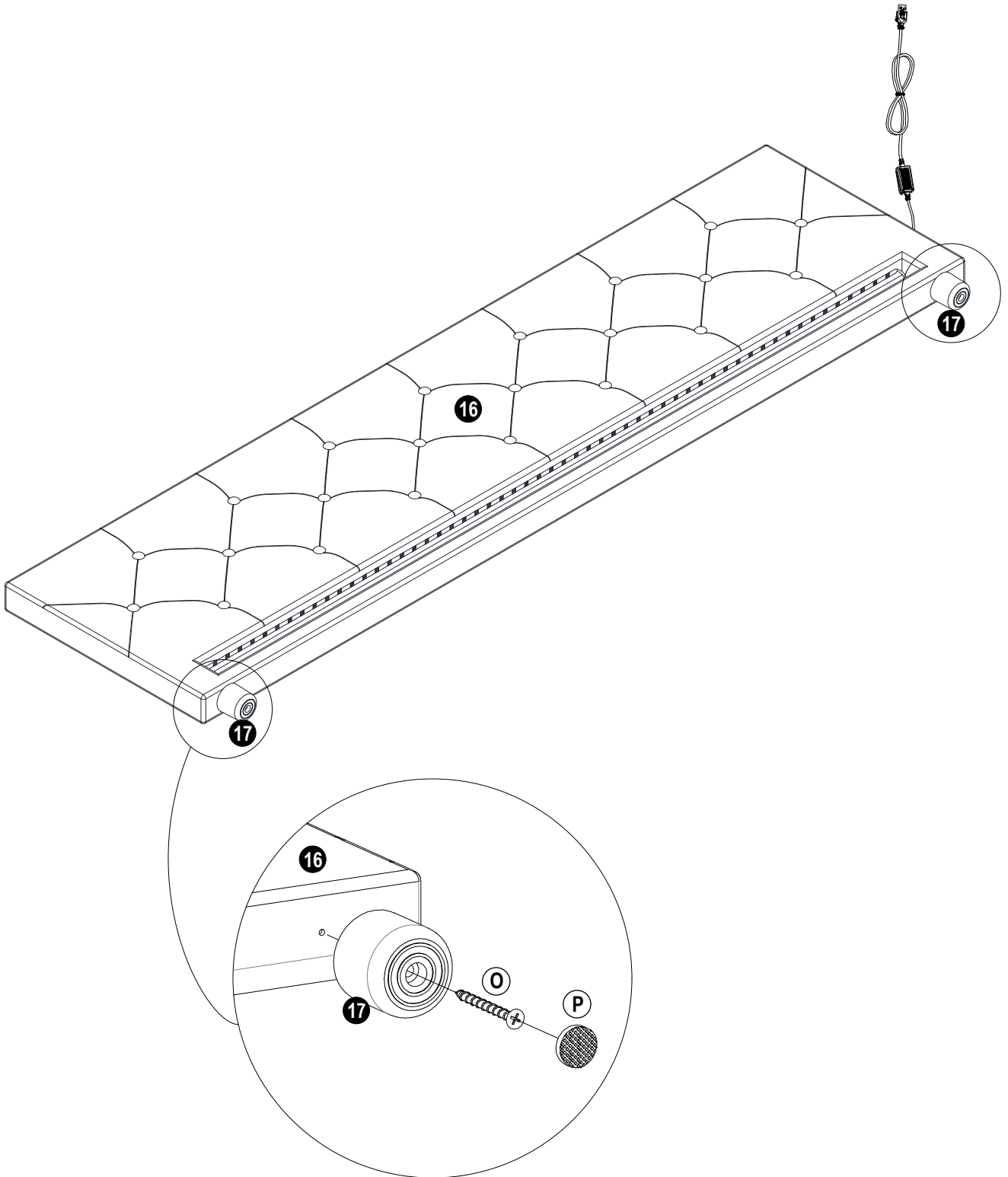
# Step:6

Ox2



5x60

Px2

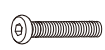


# Step:7

Qx1



Dx8

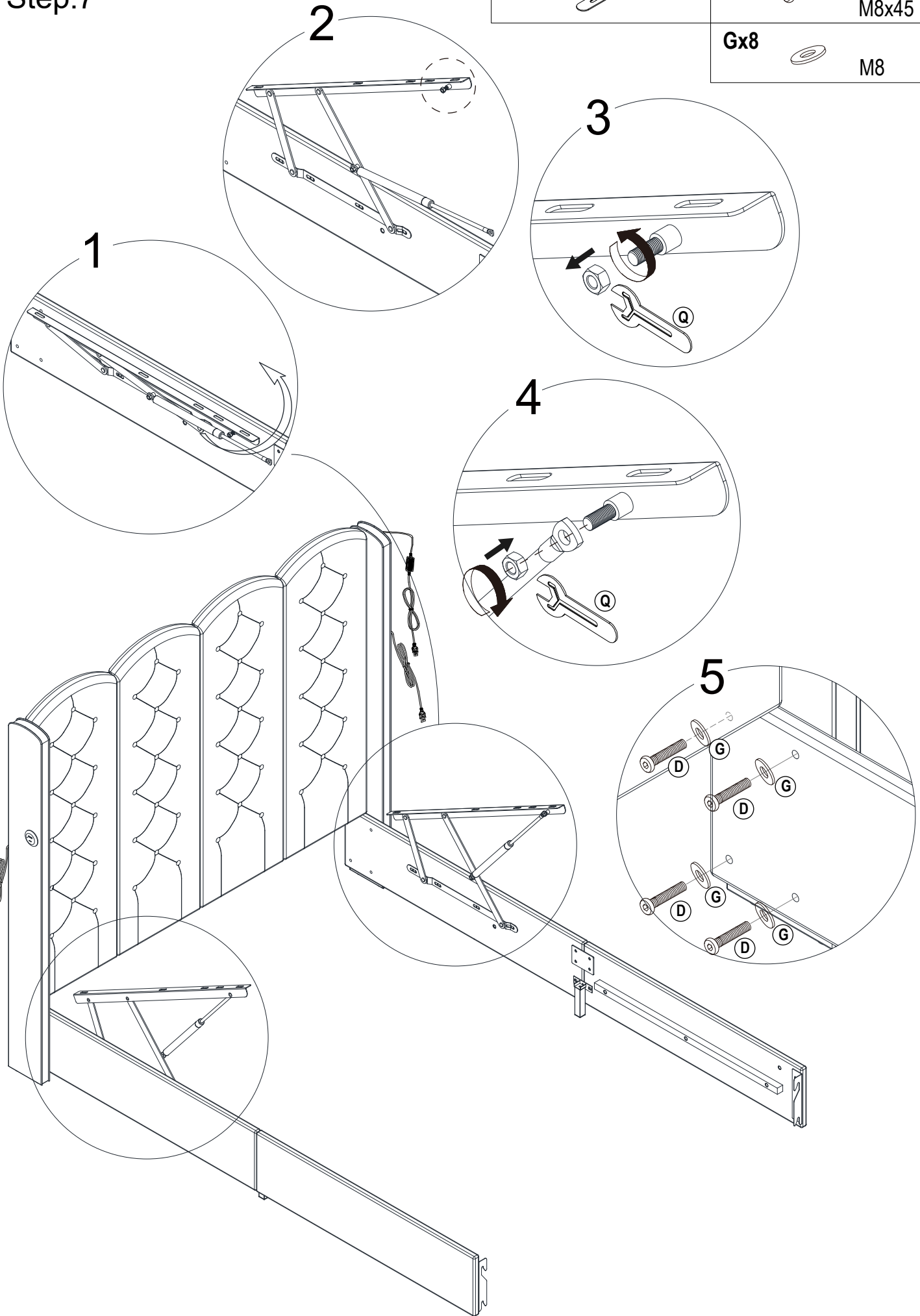


M8x45

Gx8

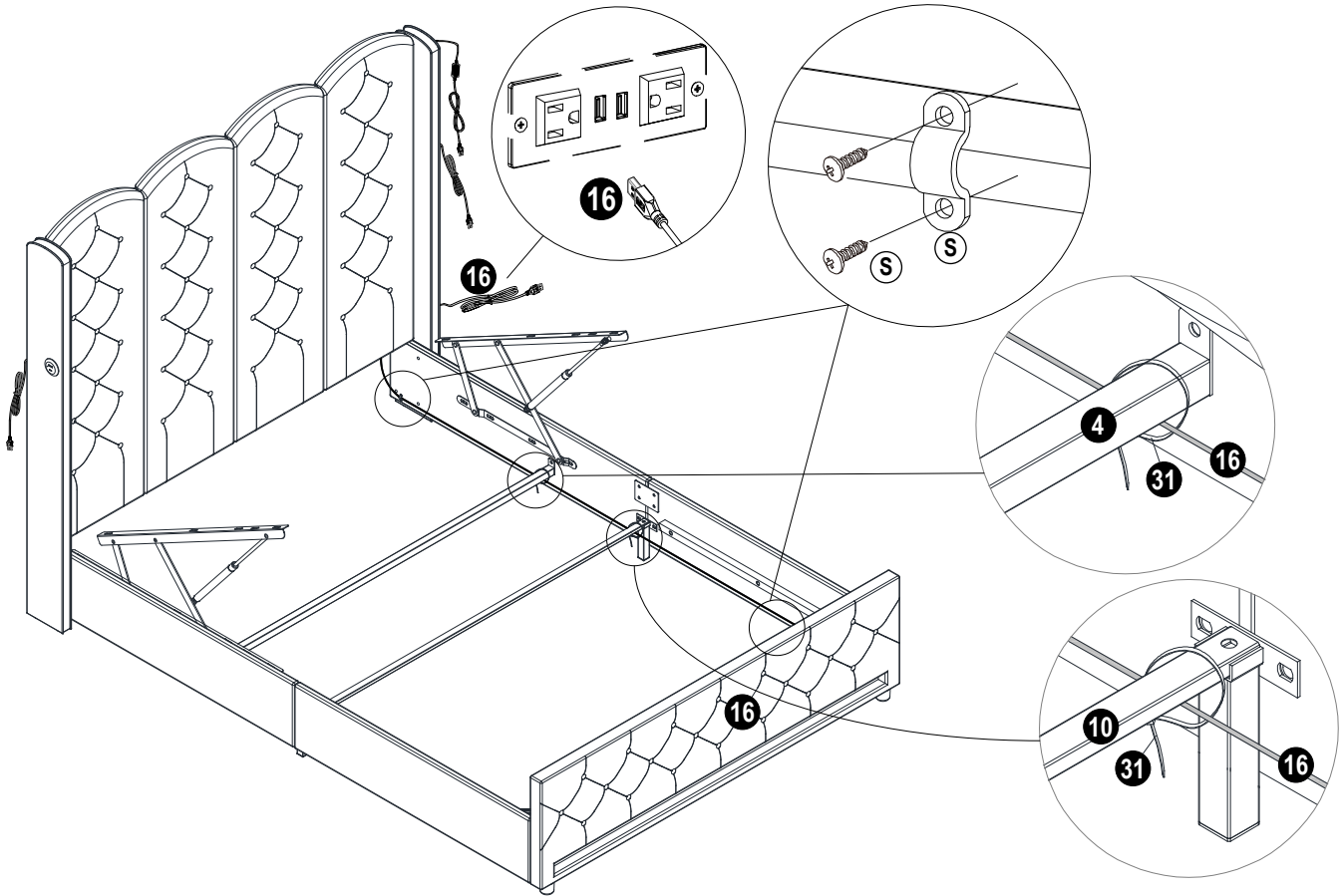
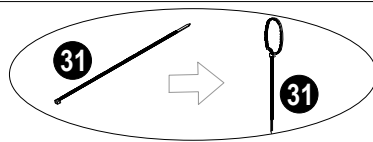


M8

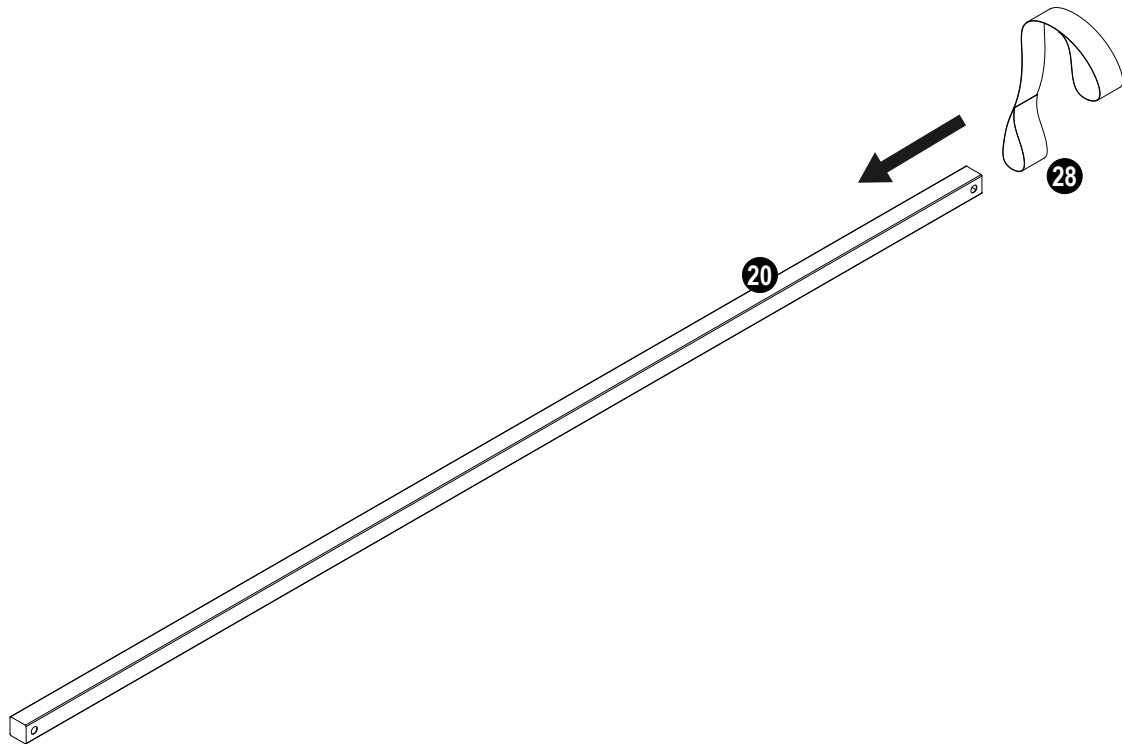





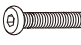
# Step:10

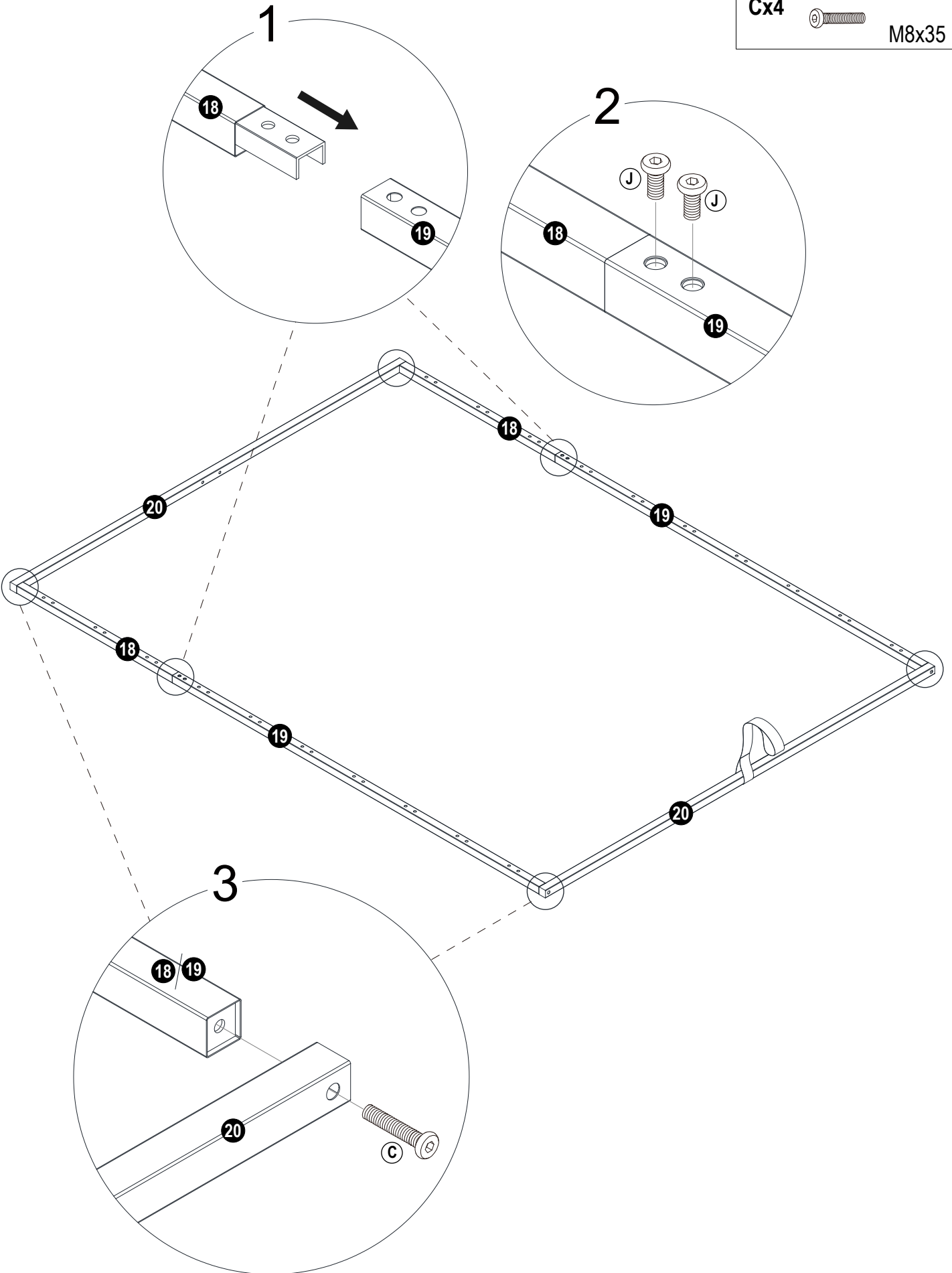


# Step:11



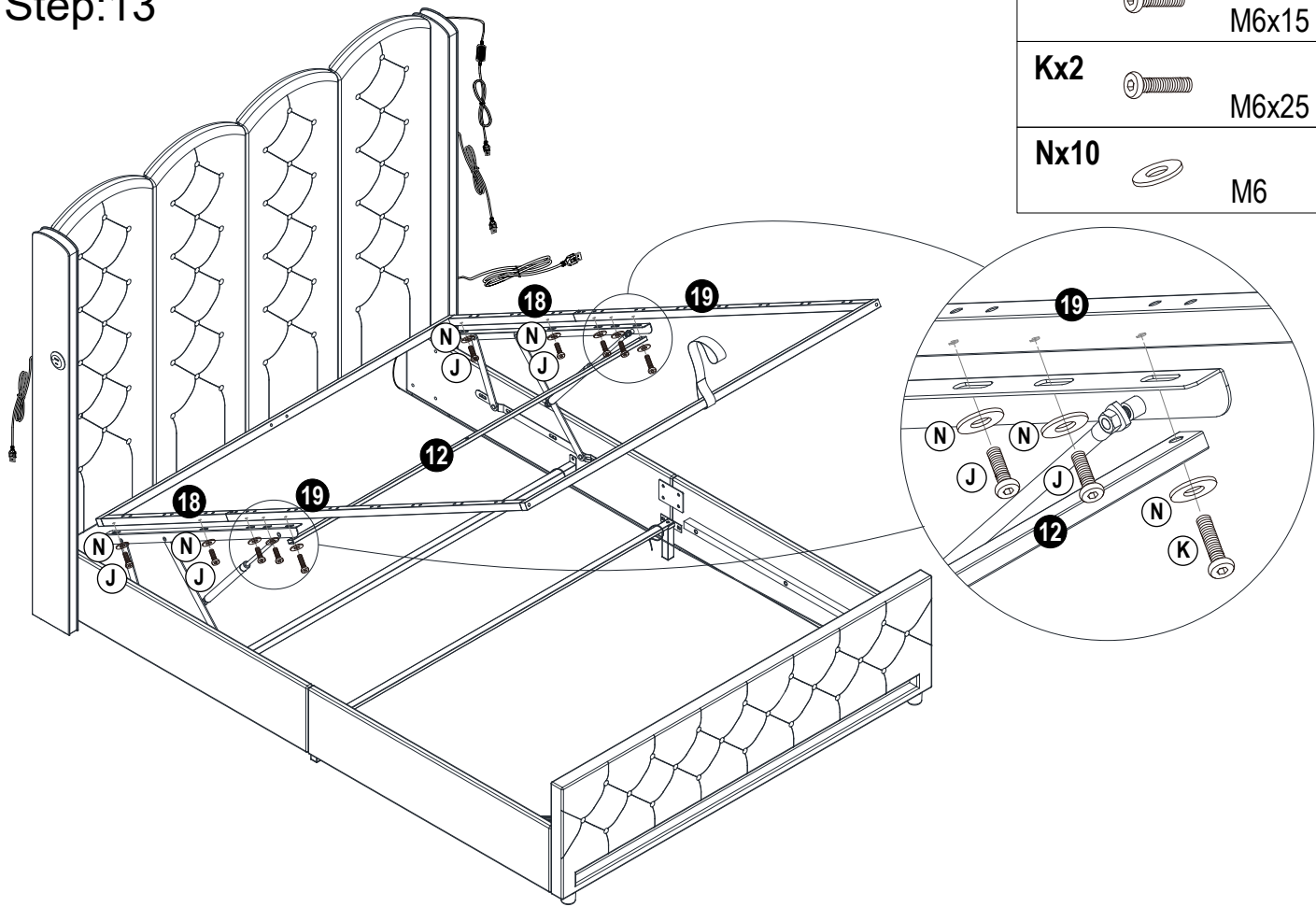
# Step:12

<b>Jx4</b>		M6x15
<b>Cx4</b>		M8x35




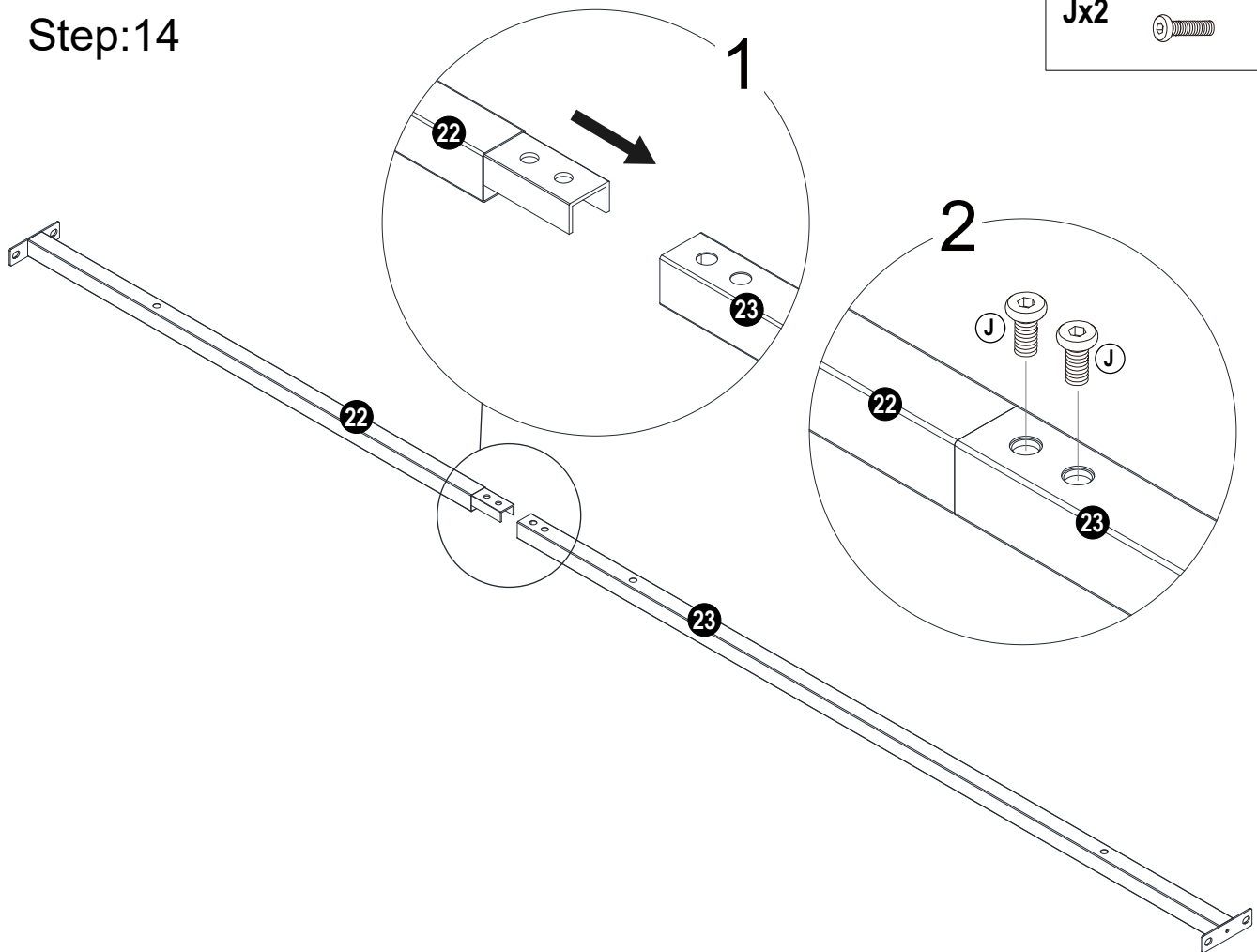
# Step:13

<b>Jx8</b>		M6x15
<b>Kx2</b>		M6x25
<b>Nx10</b>		M6




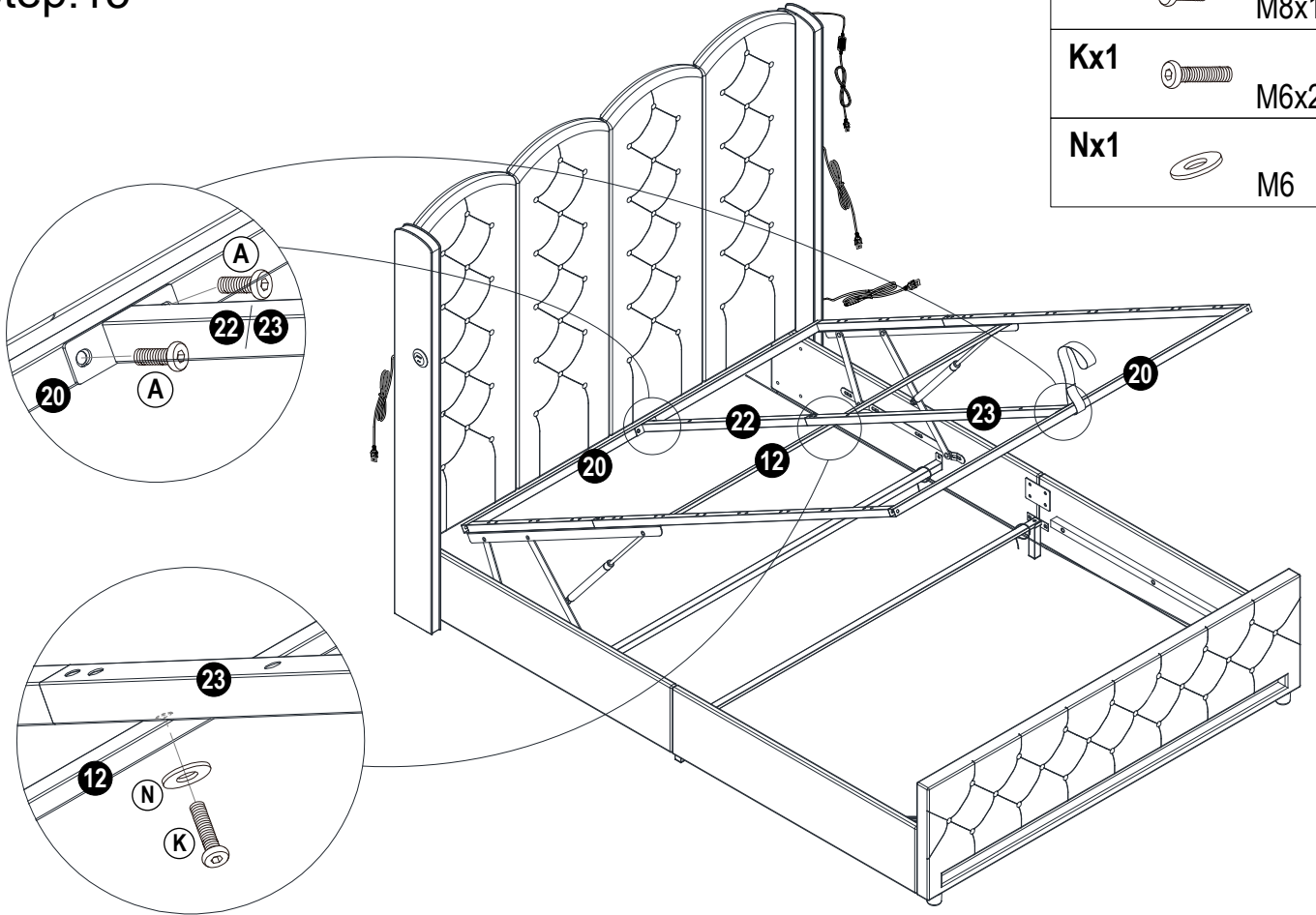
# Step:14

<b>Jx2</b>		M6x15
------------	---	-------




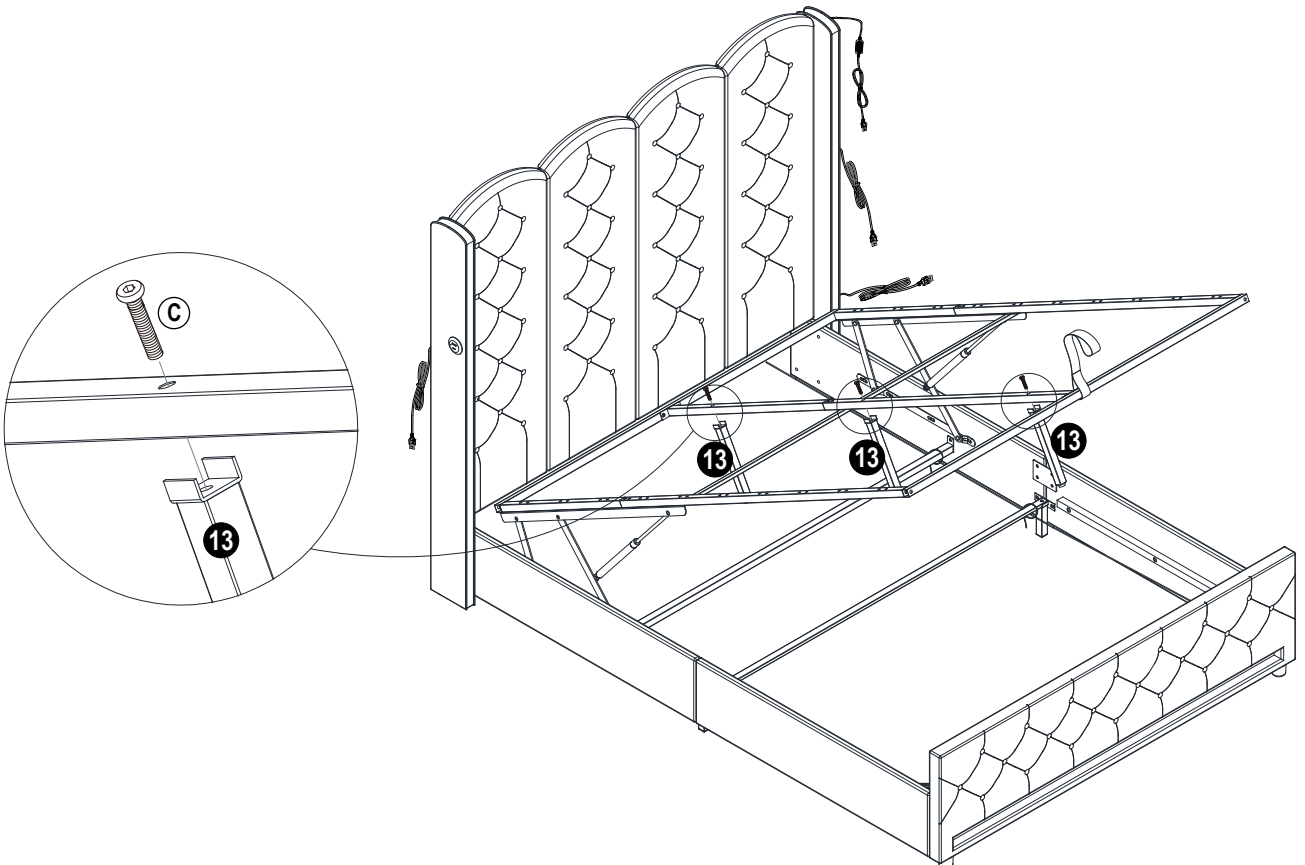
# Step:15

<b>Ax4</b>		M8x15
<b>Kx1</b>		M6x25
<b>Nx1</b>		M6

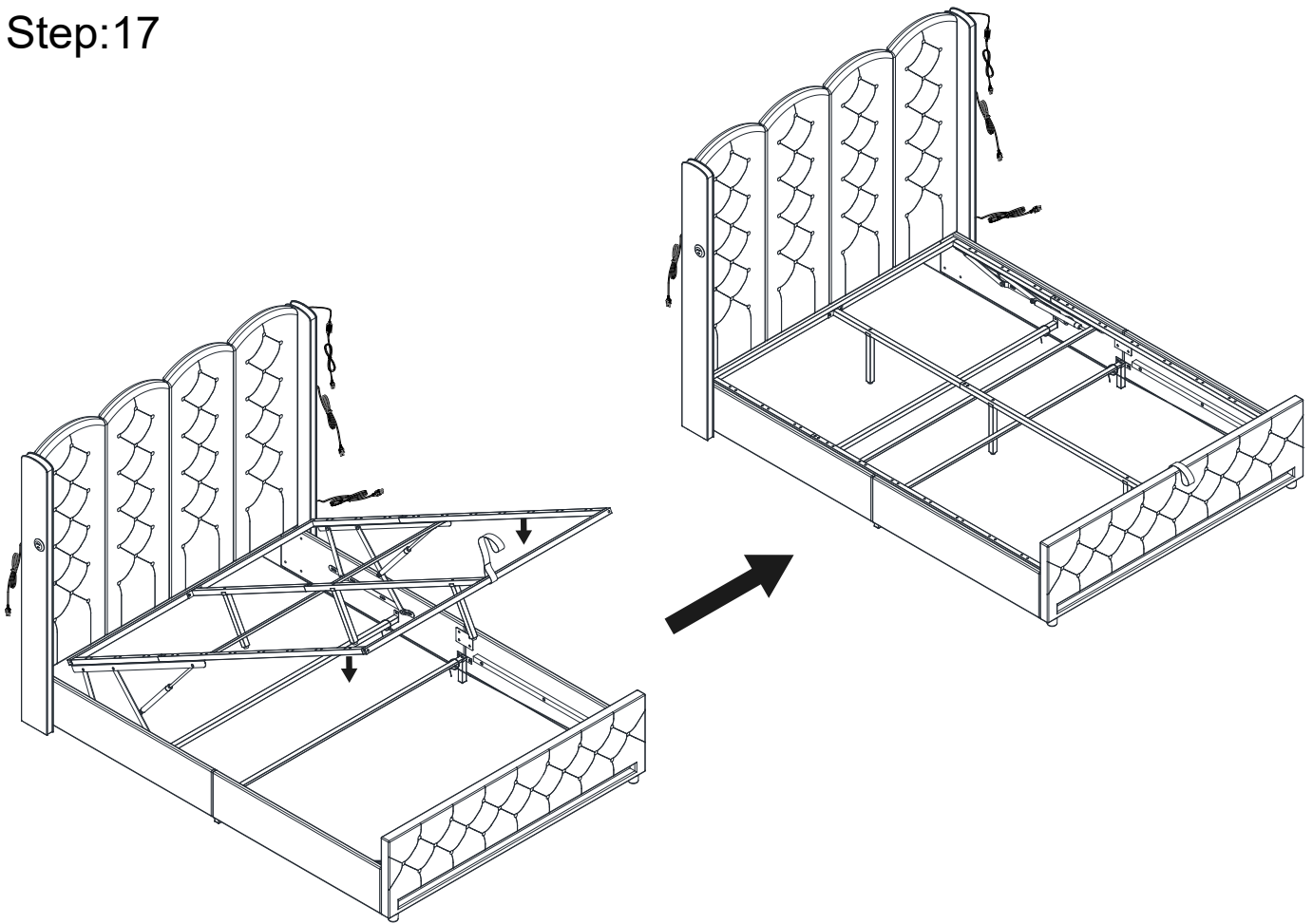


# Step:16

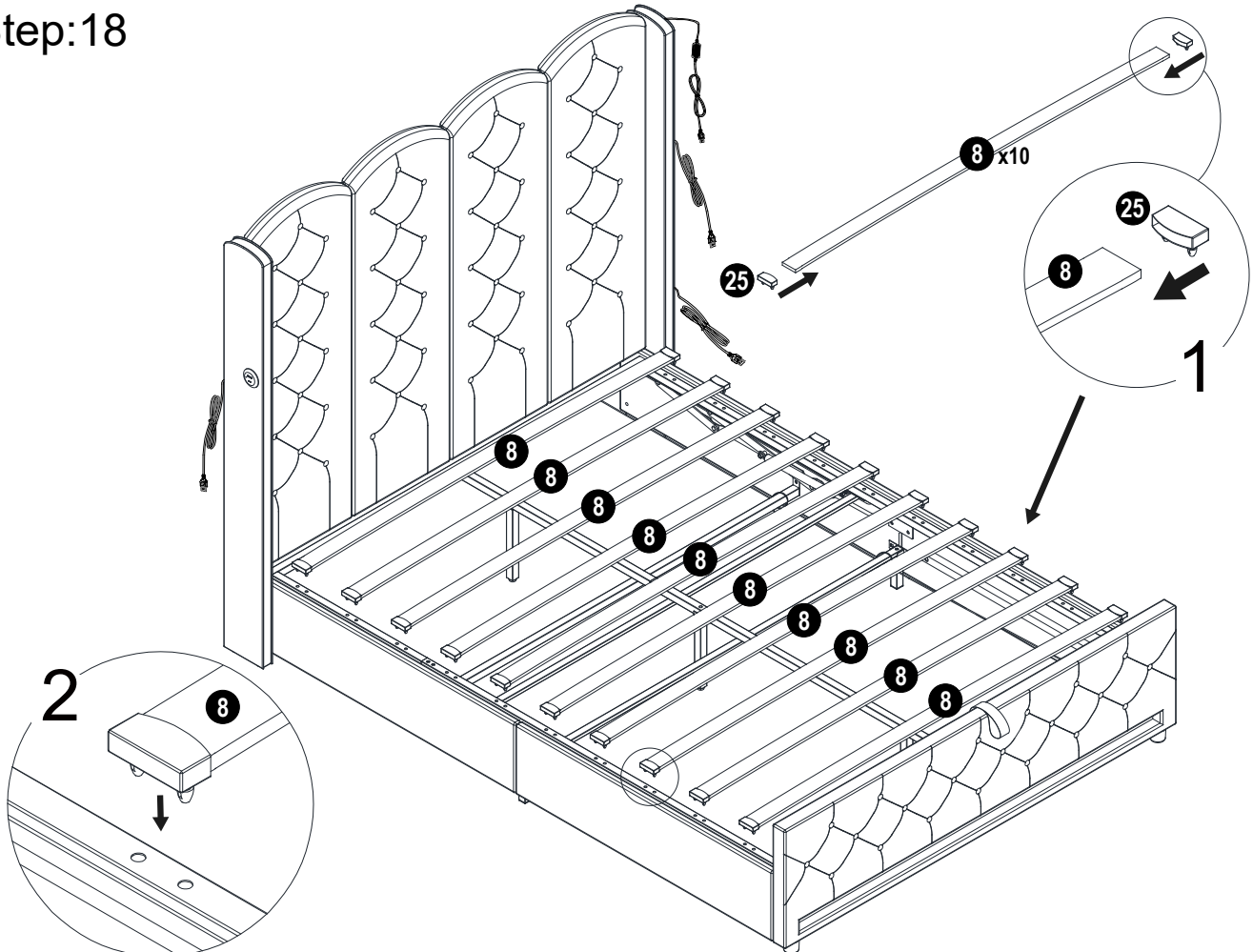
<b>Cx3</b>		M8x35
------------	---	-------



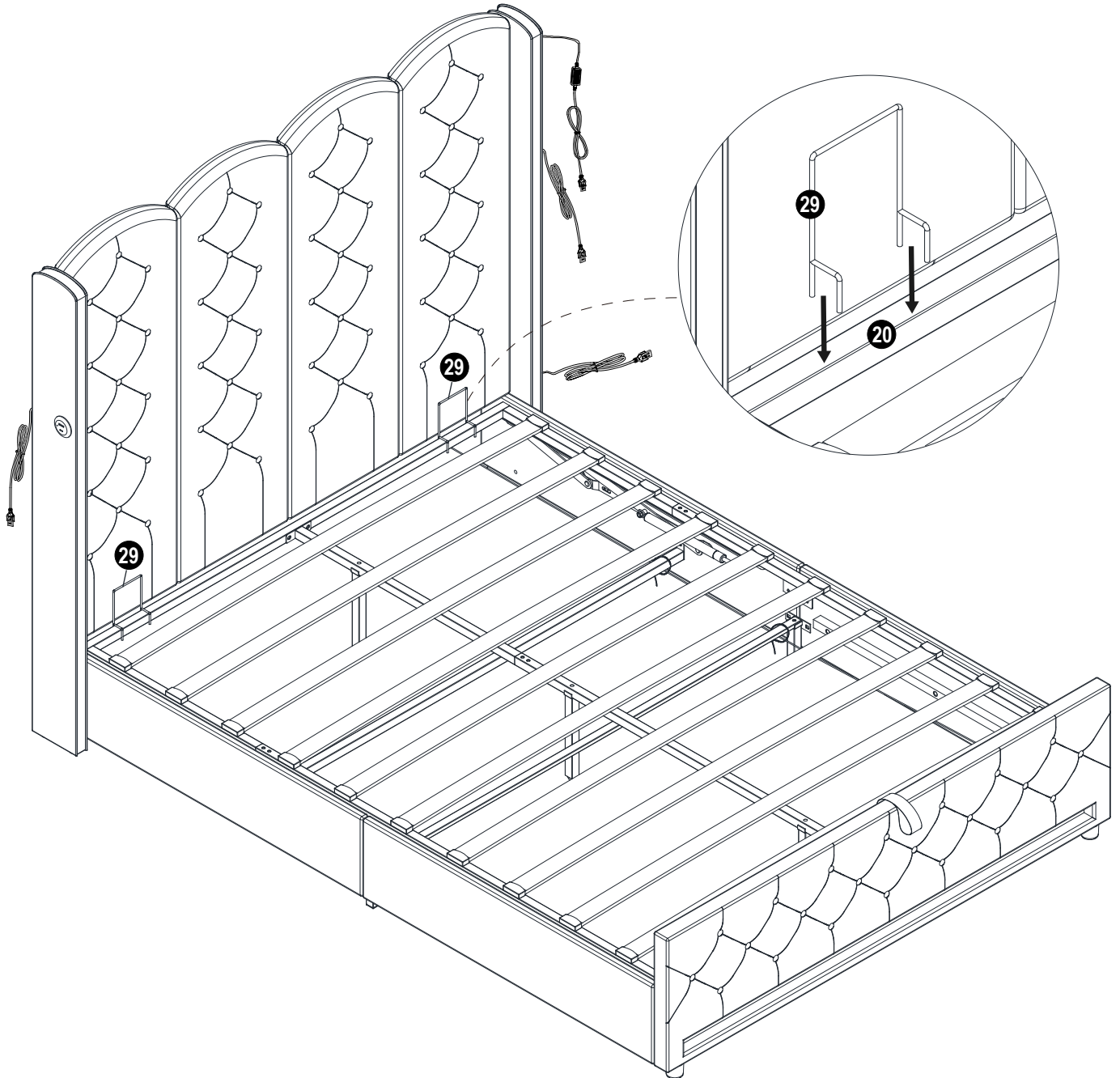
# Step:17



# Step:18



# Step:19

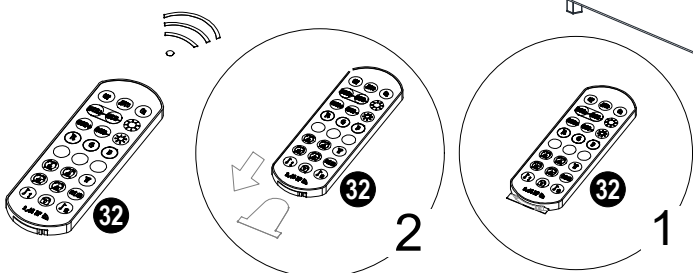
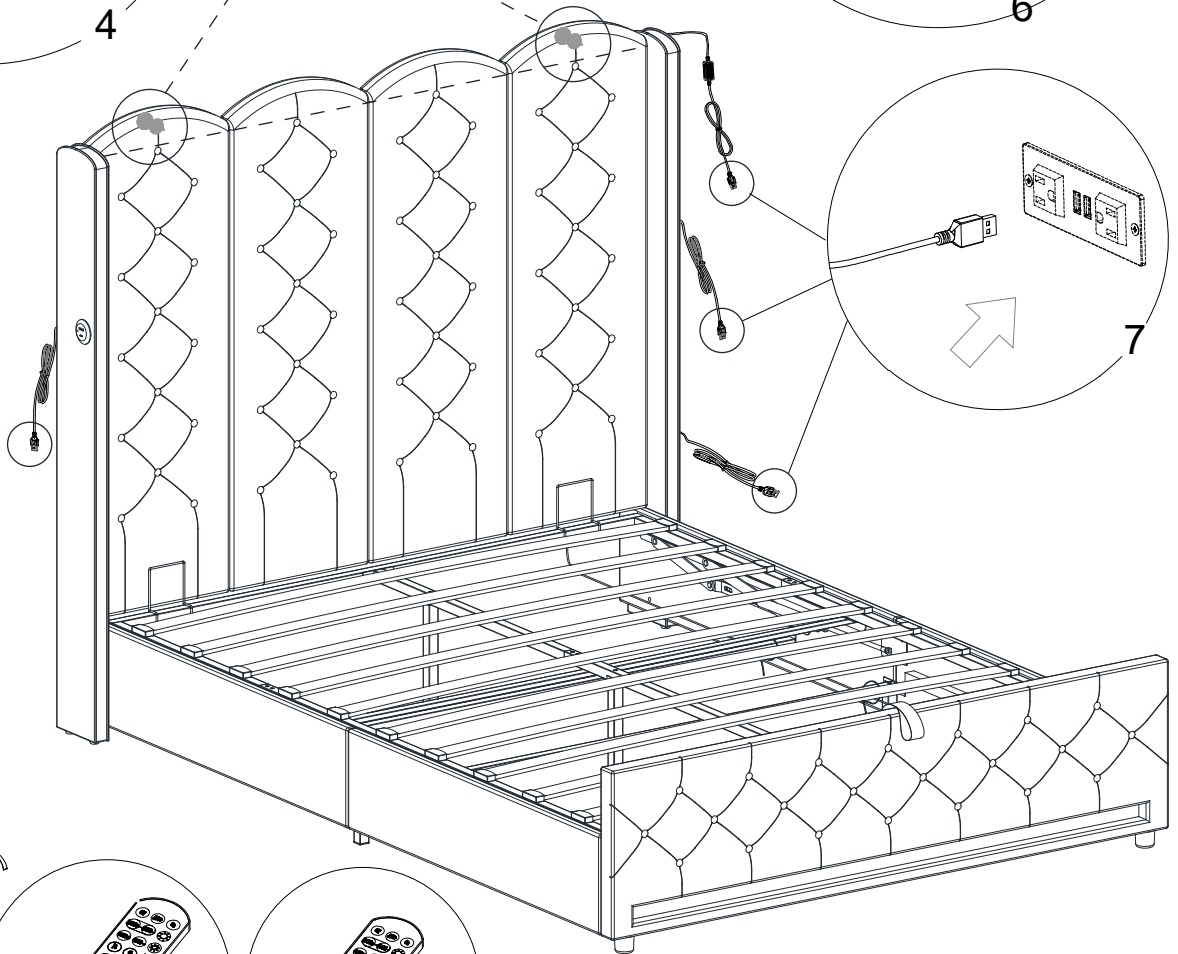
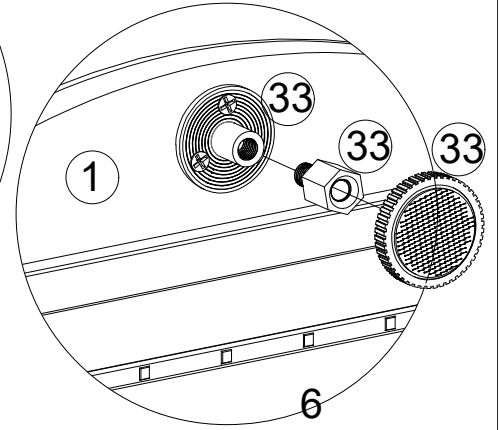
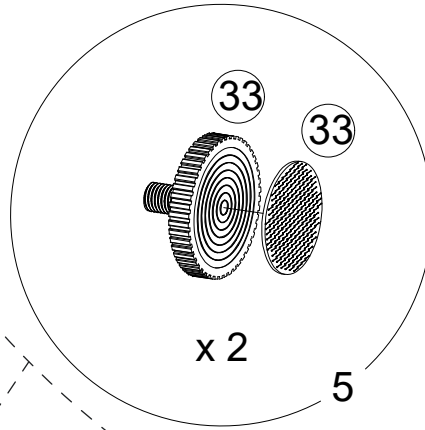
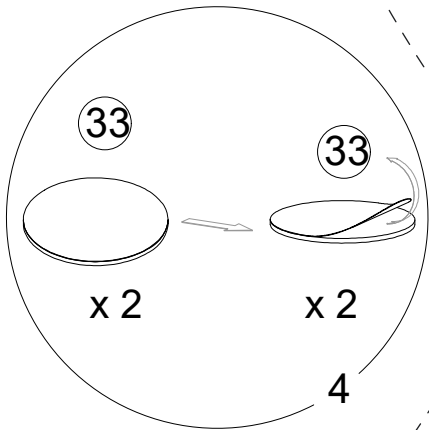
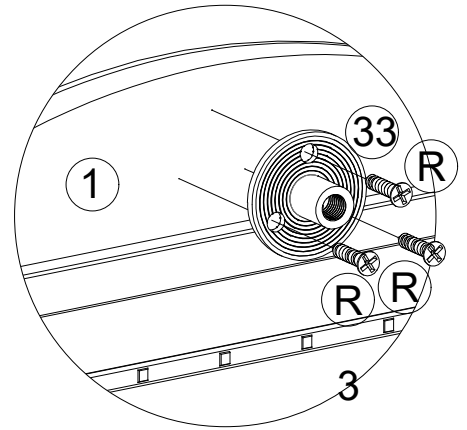
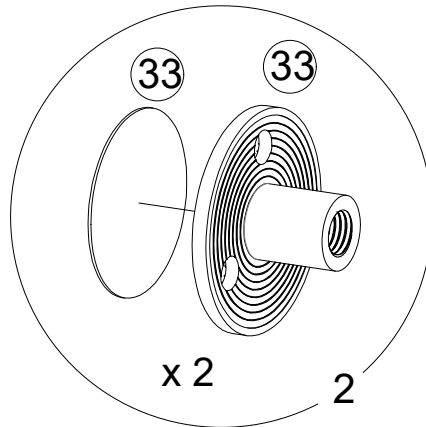
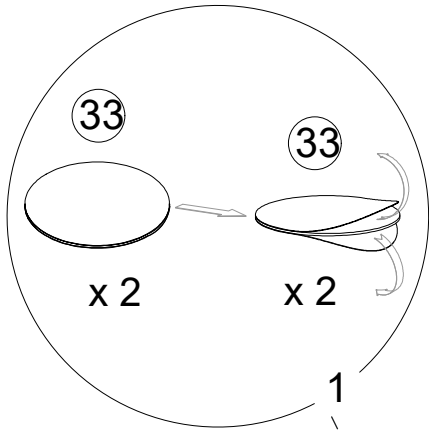


# Step:20

Rx6



5x20



# APP Manual

## 1. Software Overview

### 1.1 Overview

This app is a mobile APP to control LED strip by both IOS and Android phones.

The traditional control ways like infrared, 433MHz, 2.4GHz and others old wired ways will be replaced by mobile phone control way with convenient, powerful and scalable features.

Through this mobile APP , you can not only control the color, brightness and color temperature of the LED strips but also set up all kinds of fancy flash mode ; Also this APP can change the light of the LED strip according to the rhythm of the music. This APP can set and control several LED strips through Bluetooth and the operation is very simple, easy to learn and easy to use.

### 1.2 Features

- Adjust color LED strips with 60,000 colors to change color and brightness and adjust monochrome LED strips to change brightness and color temperature
- Play music or turn on a sound playback device, you can let the light change the color and brightness with the rhythm of music, the music rhythm beautiful
- Inside multiple setting mode for color change and control LED strips without mobile
- Long distance control with omni-directional antenna, and many-to-many group control mode
- Once the connection is successful, connect automatically next time

### 1.3 Performance

This APP is easy for use as well as great compatible with all kinds of smart phones; After the actual test of hundreds of mobile phones verification, the compatibility is above 95% of mobile phones in the market. APP is small and convenient, it consumes less system resources, so the requirements of the mobile configuration are low. Control delay is small, the operation feels good, light control is smooth with people's visual sense.

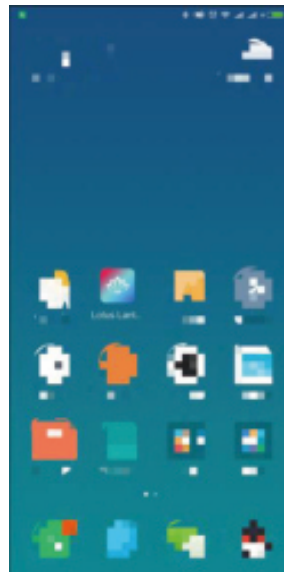
## 2. Operating Environment

This APP program requires phones of system above Andriod 4.3 and iOS 8.0. Mobile phone configuration is not limited.

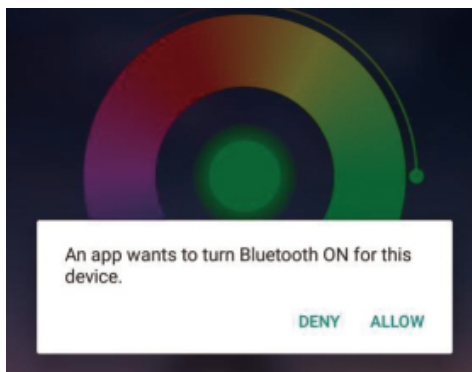
## 3. Instructions

Note: Android version and iOS version download and use the same method, here in the Android version as an example.

### 3.2 App Operation



- (2) After entering the APP interface, if Bluetooth is not enabled, "an application wants to enable the Bluetooth function of this device." Click [Allow]



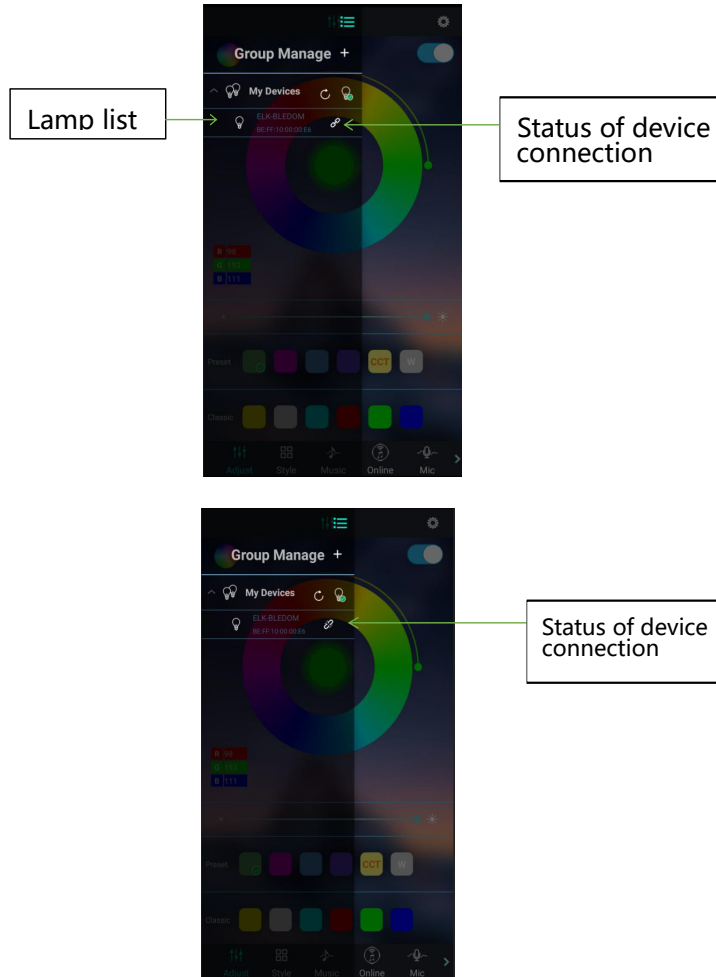
- (3) switch to color and brightness interface:

A smartphone app interface for controlling a lamp. It features a large color wheel in the center, a brightness slider below it, and a bottom navigation bar. Callout boxes with arrows point to various UI elements:

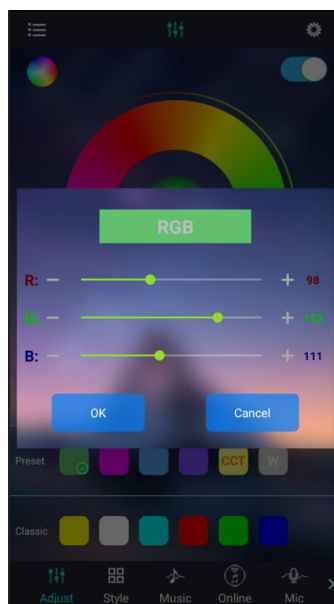
- Click to show the lamp list (points to the hamburger menu icon)
- Switch the color wheel (points to the color wheel)
- Display the RGB value (points to the RGB value display)
- Click to manual adjustment view (points to the manual adjustment view)
- Click to shift the interface (points to the bottom navigation bar)
- Click to display setting view (points to the gear icon)
- Lamp switch button (points to the toggle switch)
- Adjust the color (points to the color wheel)
- Click square icon to adjust the color (points to a square icon in the preset row)

(4) click to show the lamp list, view lamp list:

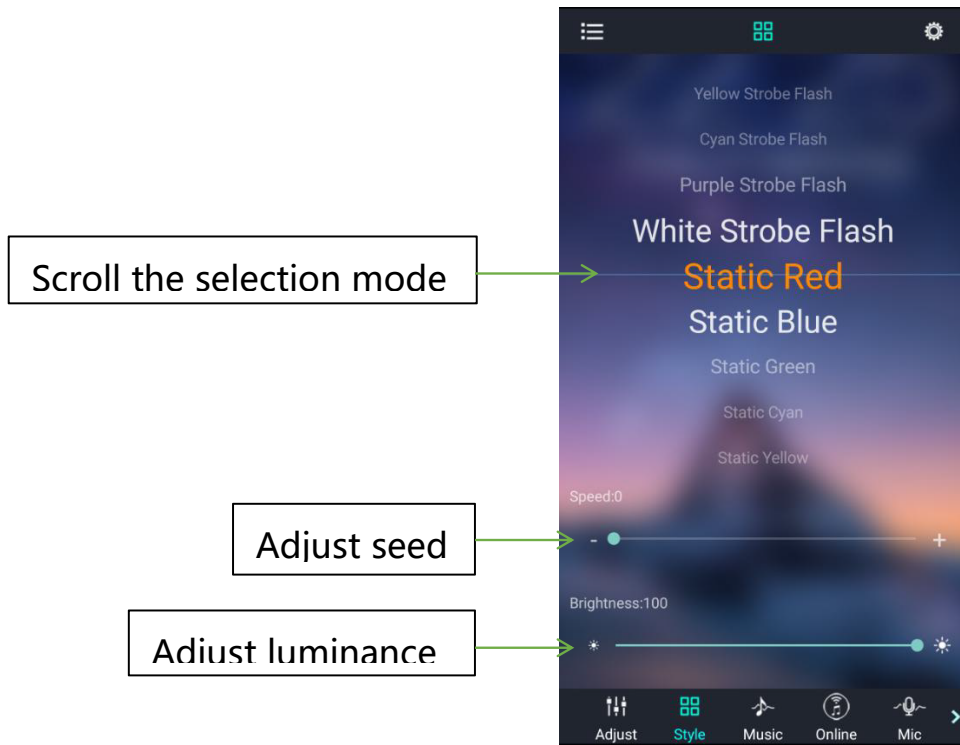
Bluetooth auto connect  
after search for devices



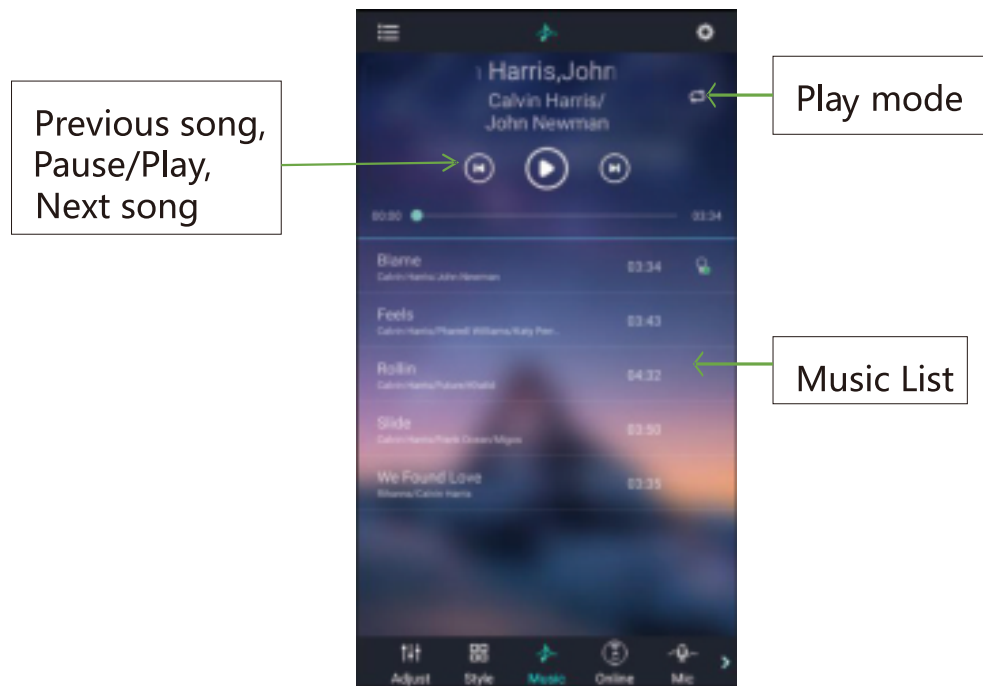
(5) Click to RGB manual adjustment view:



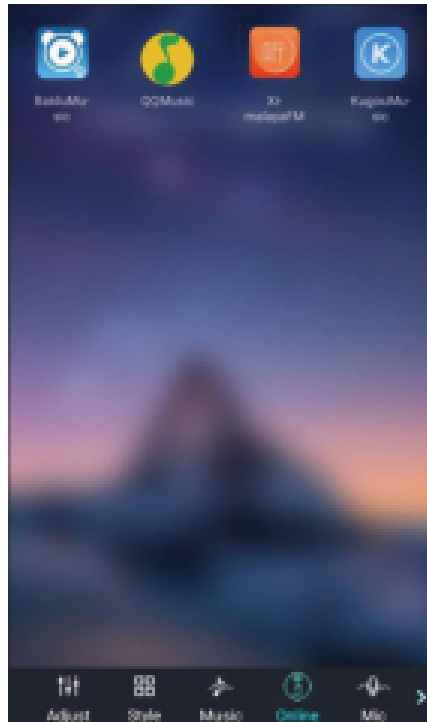
(6) switch to the mode interface:



(7) switch to the music rhythm interface:

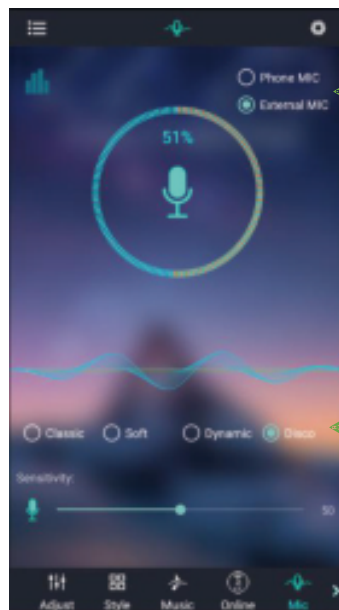


( 8 ) Switch to the online music interface:



( 9 ) Switch to the microphone rhythm interface:

Music rhythm through the microphone on the product

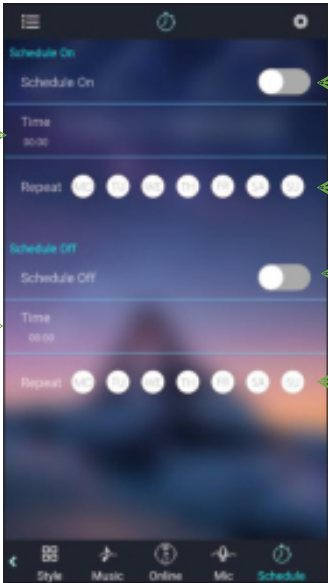


Switch phone microphone and external microphone

4-style rhythm

Change the sensitivity of MIC to match the sound

( 10 ) Switch to the schedule interface:

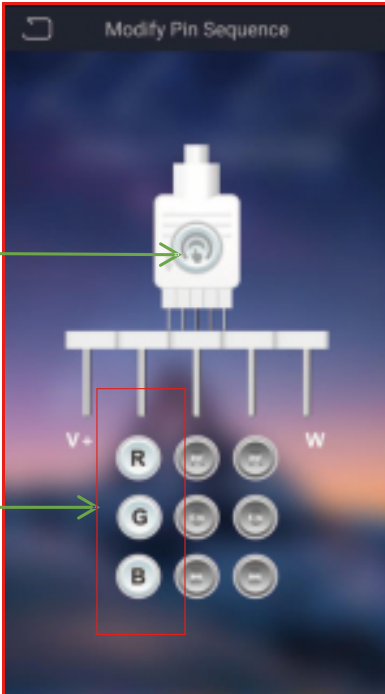


The screenshot shows a mobile application interface for scheduling. It is divided into two main sections: 'Schedule On' (top) and 'Schedule Off' (bottom). Each section has a toggle switch, a 'Time' field, and a 'Repeat' row of seven dots. The 'Repeat' row in the 'Schedule On' section has the first dot selected, while the 'Repeat' row in the 'Schedule Off' section has the second dot selected. A bottom navigation bar includes icons for 'Style', 'Music', 'Online', 'Mic', and 'Schedule'.

Annotations:

- Set the time of Light-On (points to the 'Time' field in the 'Schedule On' section)
- Set the time of Light-Off (points to the 'Time' field in the 'Schedule Off' section')
- Enable or disable the Light-On function (points to the toggle switch in the 'Schedule On' section)
- Repeat setting No selection for once Light-On (points to the first dot in the 'Repeat' row of the 'Schedule On' section)
- Enable or disable the Light-Off function (points to the toggle switch in the 'Schedule Off' section)
- Repeat setting No selection for once Light-Off (points to the second dot in the 'Repeat' row of the 'Schedule Off' section)

( 11 ) Switch to the modify pin sequence interface:



The screenshot shows a 'Modify Pin Sequence' interface. At the top, there is a 'Modify Pin Sequence' title and a back arrow. Below the title is a large white push-button with a circular icon. Underneath the button is a horizontal row of seven pins. Below the pins is a color selection palette with three rows of buttons. The first row has buttons for 'R', 'G', and 'B'. The second row has buttons for 'V+', 'G', and 'W'. The third row has buttons for 'G', 'G', and 'G'. A red box highlights the 'R', 'G', and 'B' buttons in the first row.

Annotations:

- Click to save the new assignment (points to the push-button)
- Change the real color of this line (points to the 'R', 'G', and 'B' buttons in the color palette)