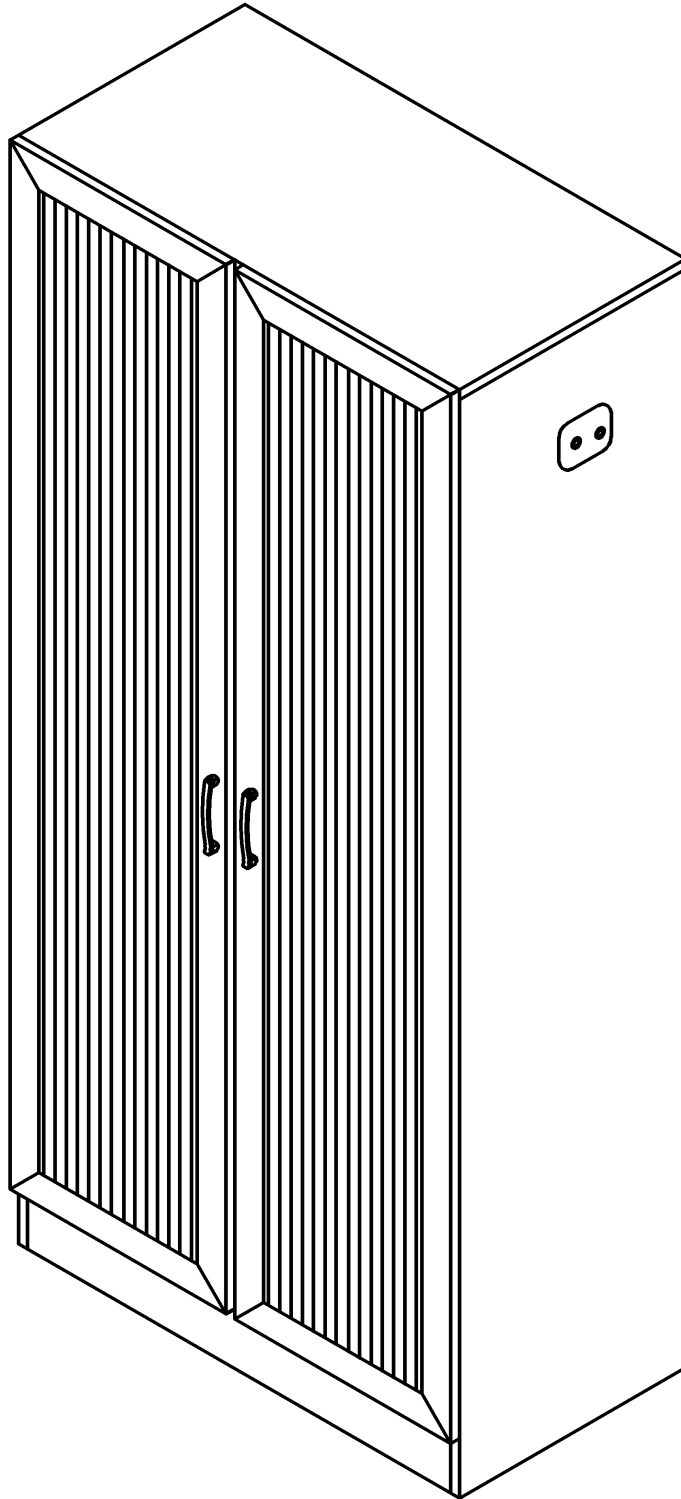
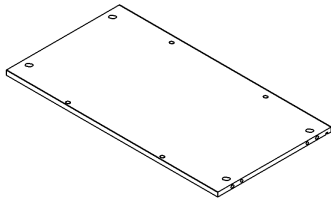
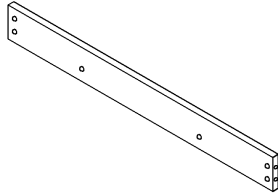


Product Installation Instructions

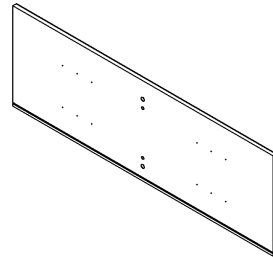




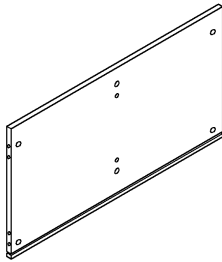
Ax1



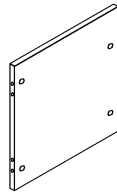
Bx2



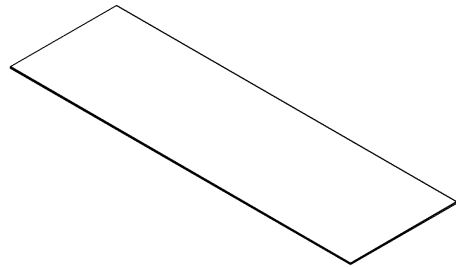
Cx1



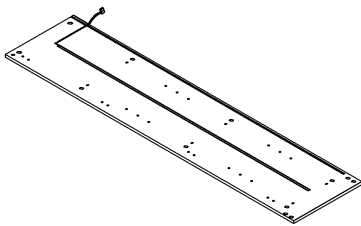
Dx1



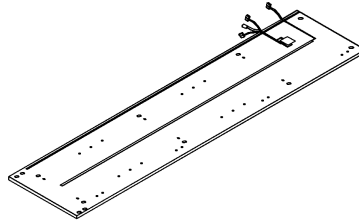
Ex1



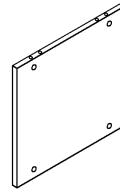
Fx2



Gx1



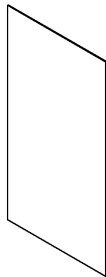
Hx1



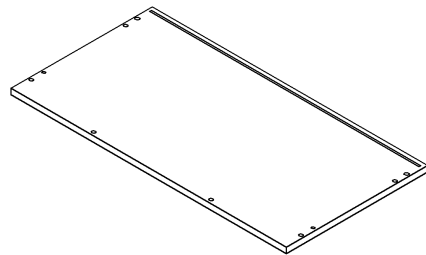
Ix1



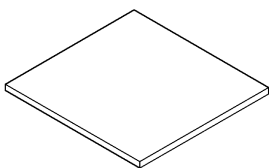
Jx1



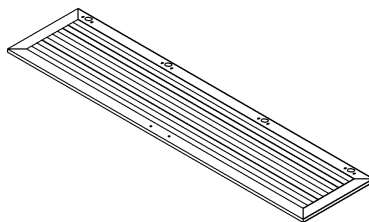
Kx1



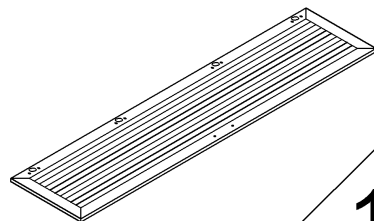
Lx1



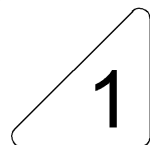
Mx4



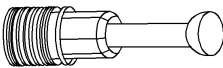

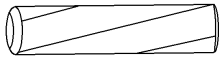
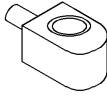
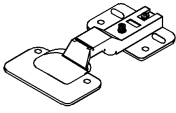

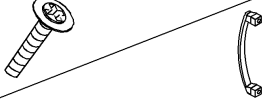

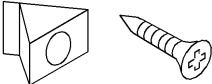

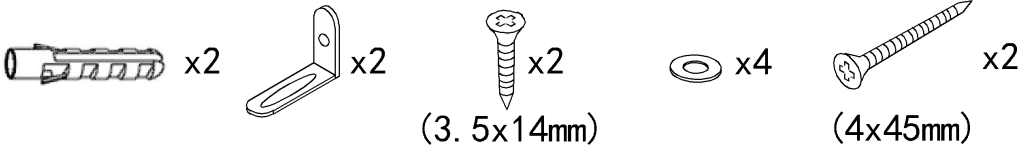
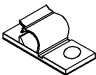
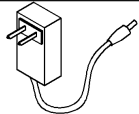
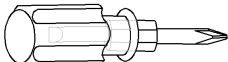

Nx1



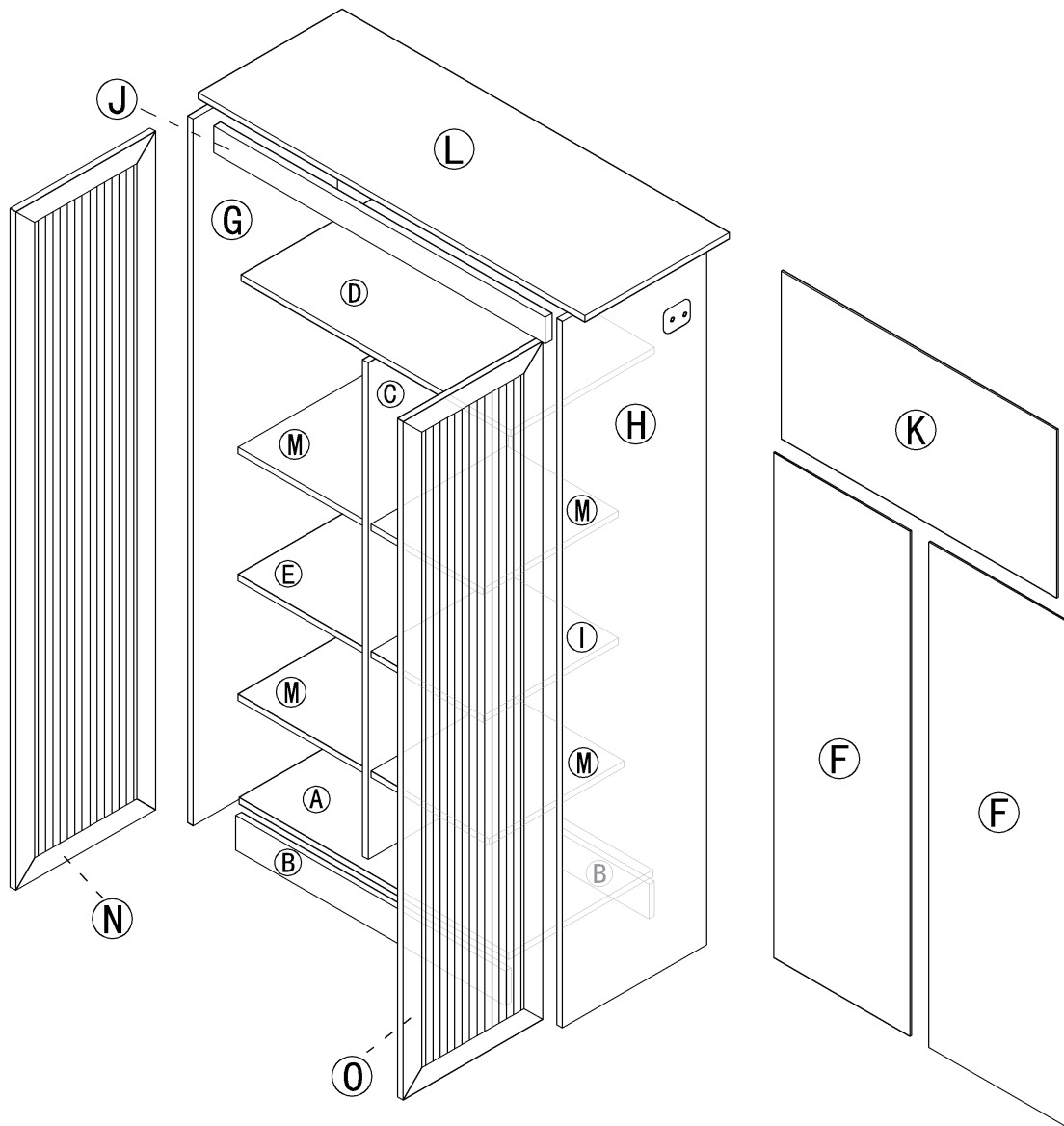
Ox1



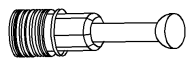
1

①		Three-in-one Rod (10x38mm)	40pcs +4pcs
②		Eccentric Wheel (12x15mm)	40pcs +4pcs
③		Wood Chipping (8x30mm)	24pcs +2pcs
④		Wooden Board Support	16pcs +1pcs
⑤		Hinge	8pcs
⑥		Screw (3.5x14mm)	48pcs +2pcs
⑦		Screw & Handle (4x18mm)	4pcs +1pcs 2pcs
⑧		Connecting Line	1pcs
⑨		Back Plate Buckle & Screw (3x16mm)	12pcs +1pcs
⑩		Non-slip pads	4pcs +2pcs
⑪	<p style="text-align: center;">Anti Fall Hardware</p> 		
		Wire Clamp	2pcs
		AC/DC Adapter (12V=2.0A)	1pcs
		Double-head screwdriver, use as required	1pcs
			

Product structure decomposition



1



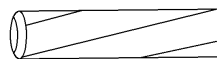
x8

2

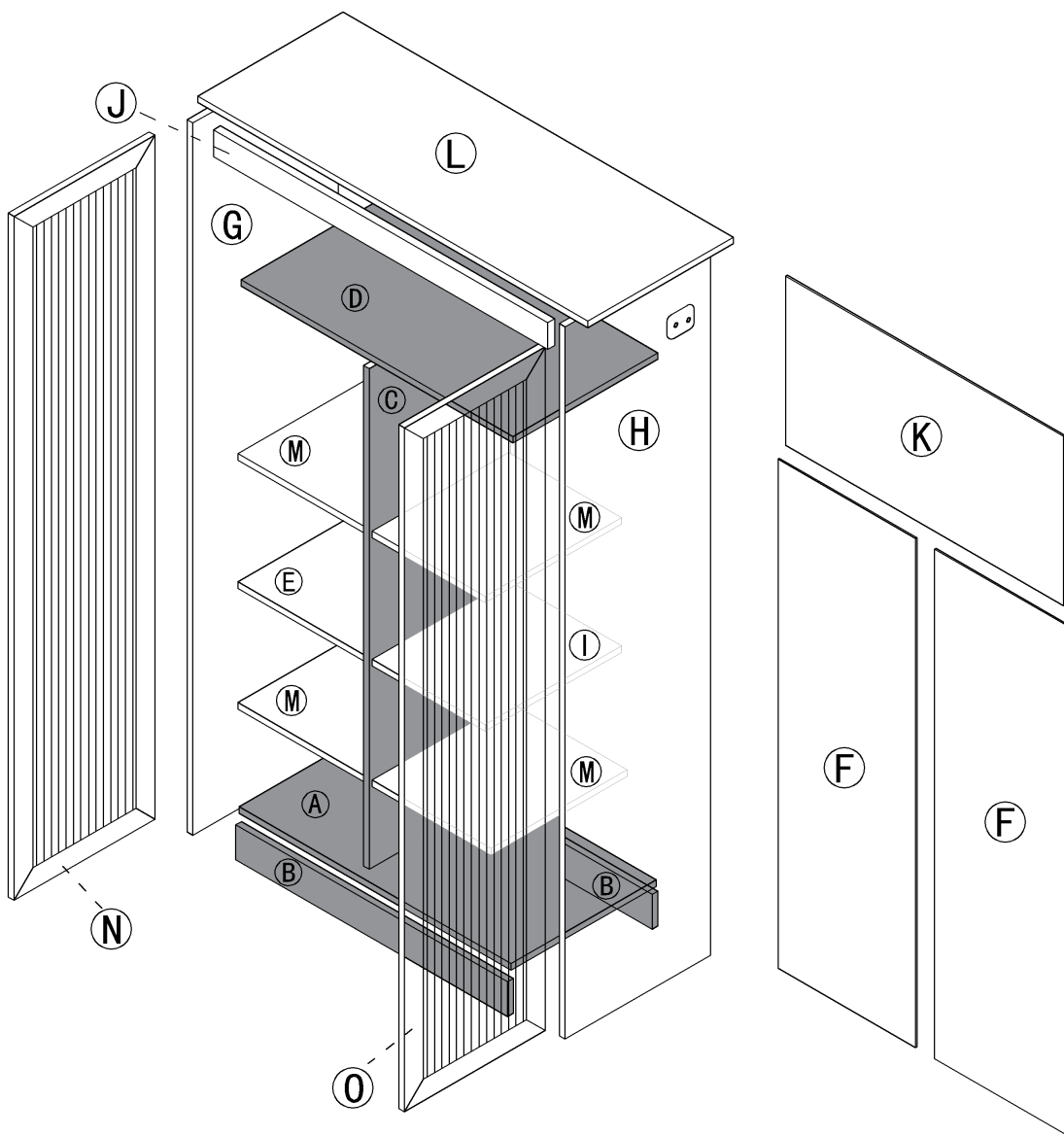


x8

3



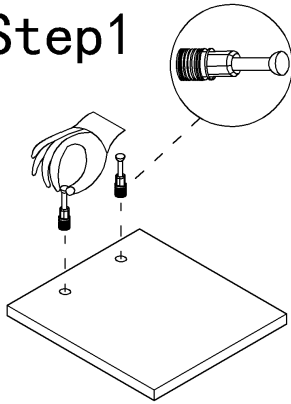
x4



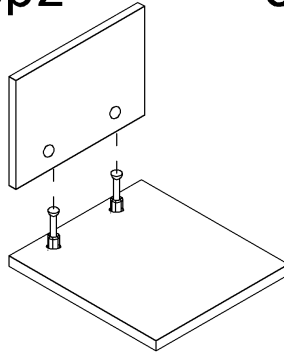
4

Use parts ① and ②

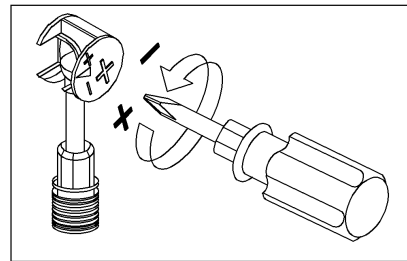
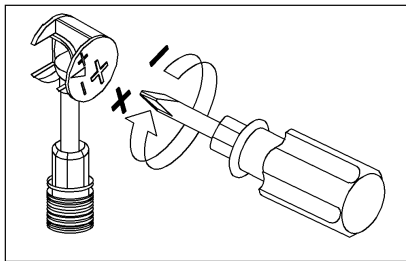
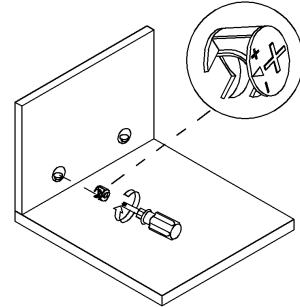
Step1



Step2



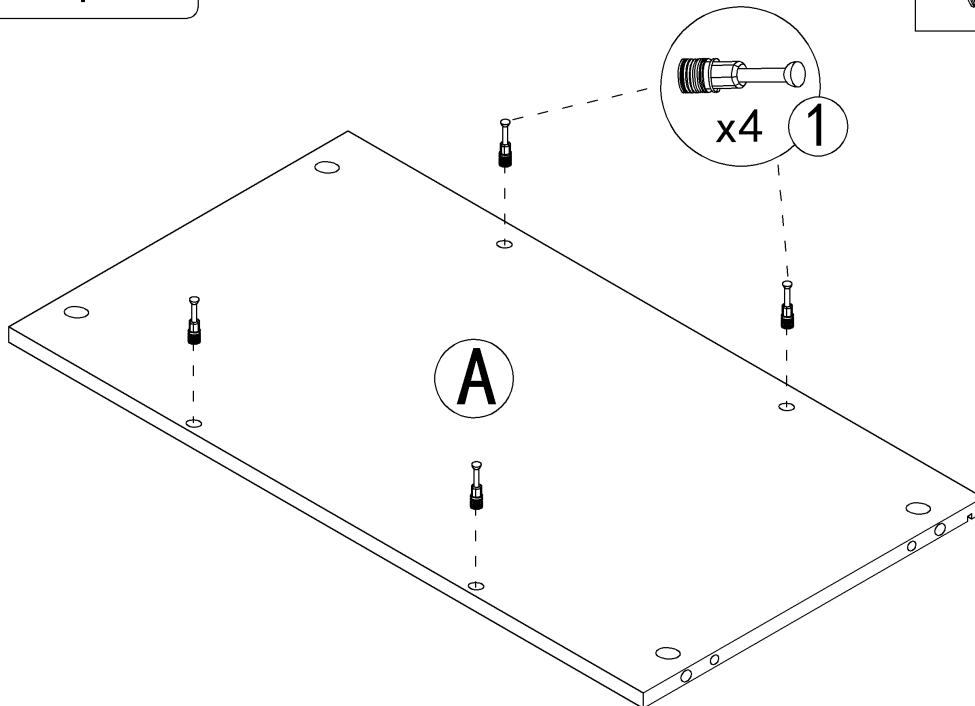
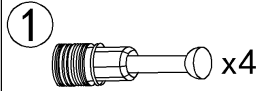
Step3



Use a screwdriver to lock in the direction of the "+" sign

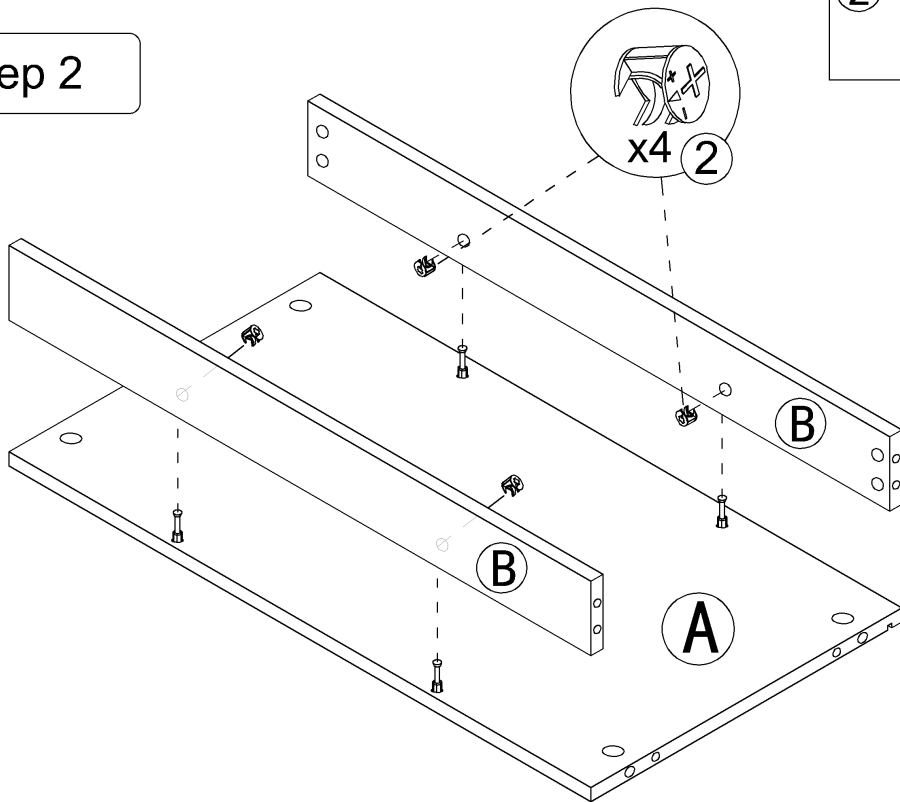
Disassemble along the direction of "-" sign

Step 1

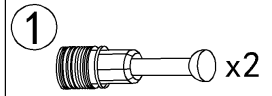
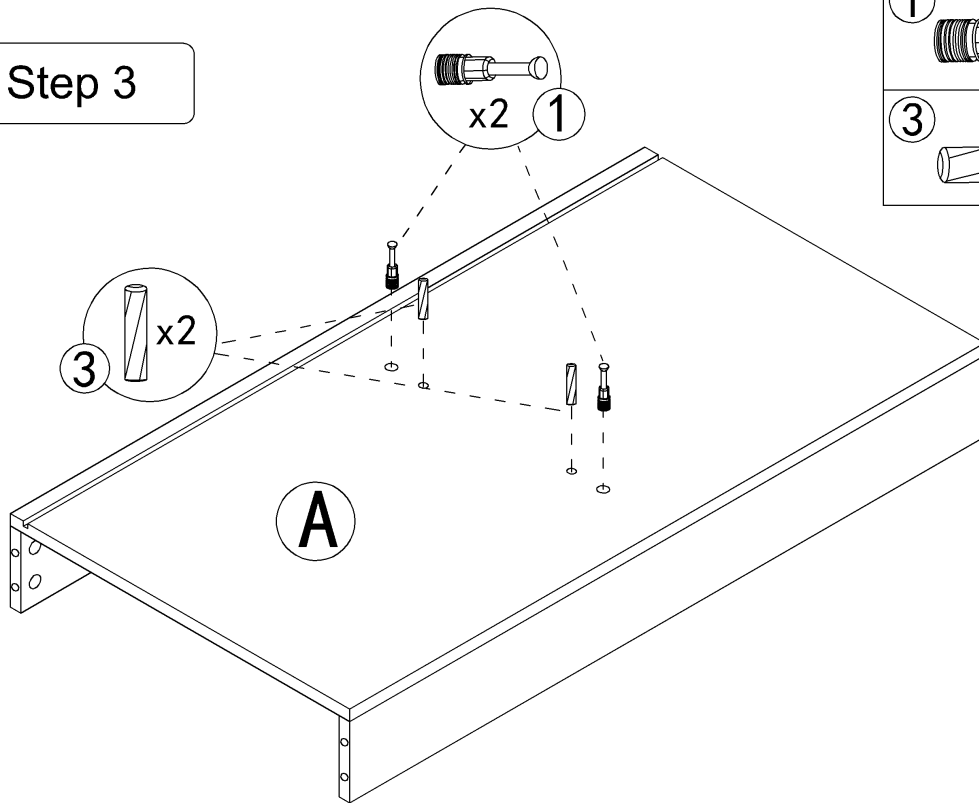


5

Step 2

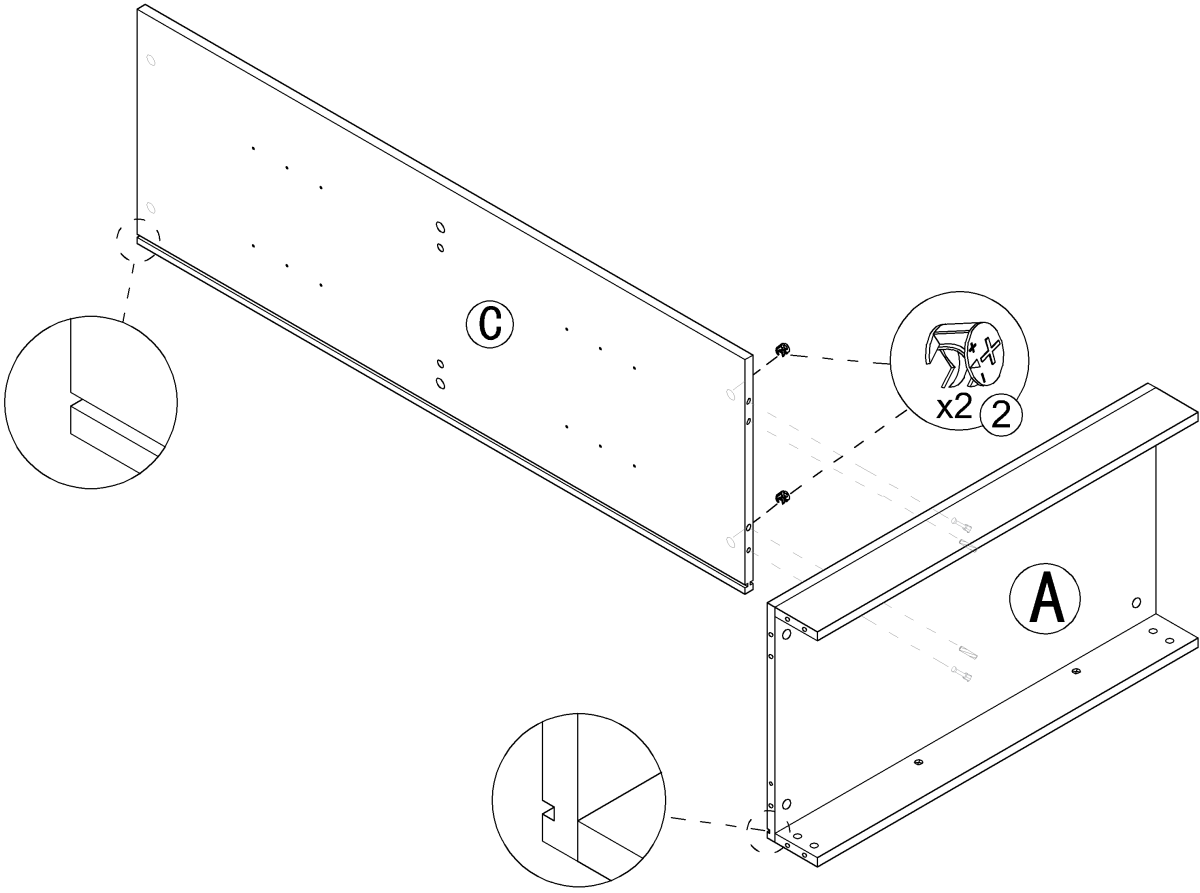


Step 3

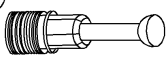

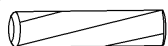


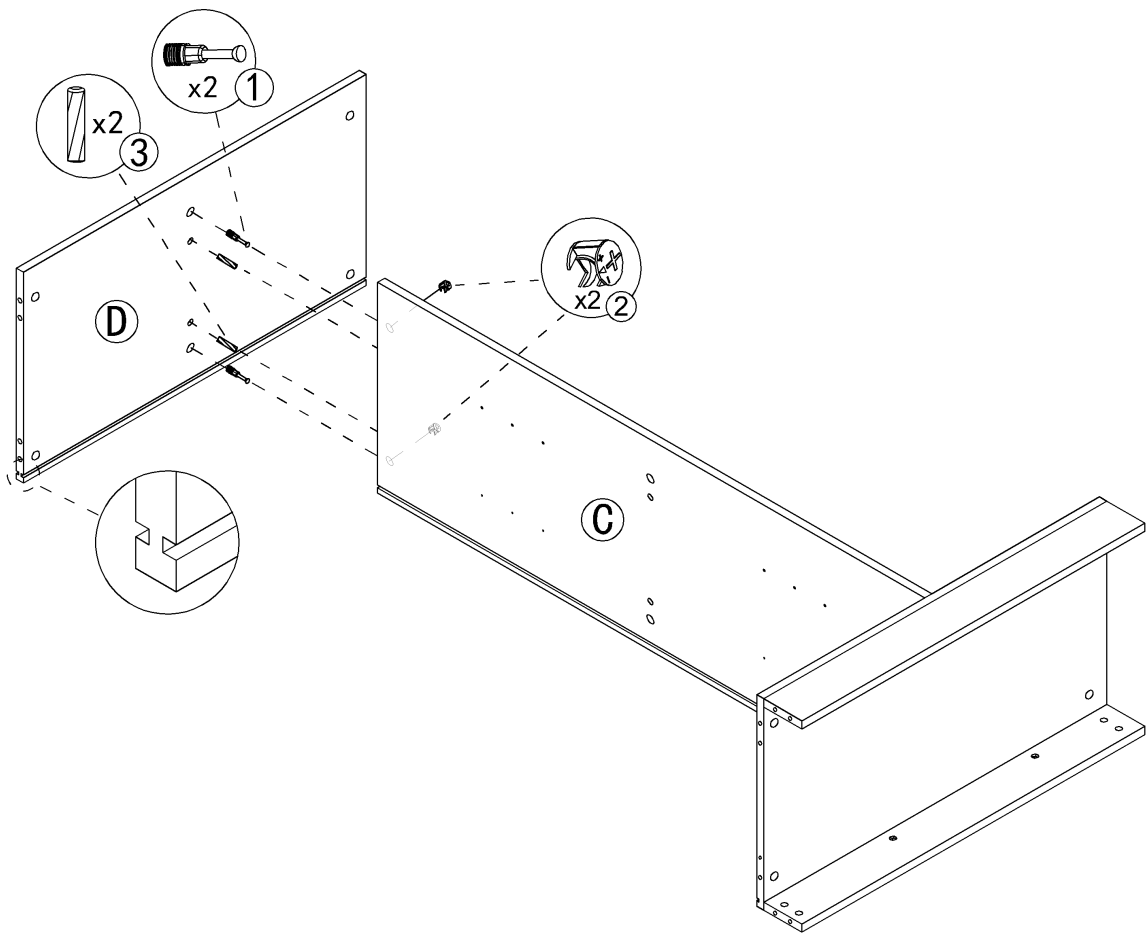
Step 4

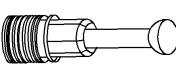
2  x2



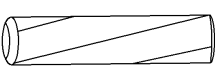
Step 5

- ①  x2
- ②  x2
- ③  x2

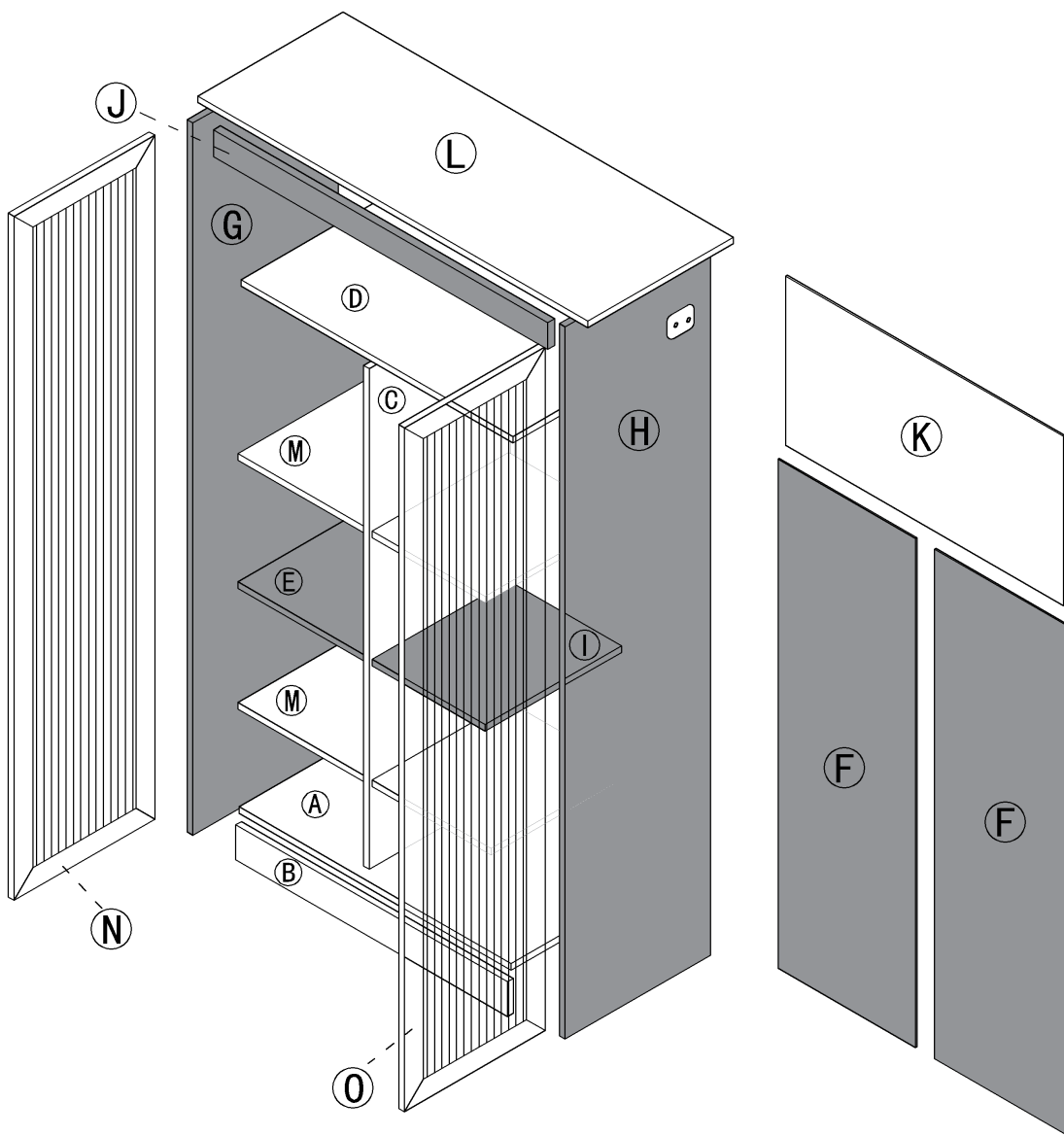


1  x26

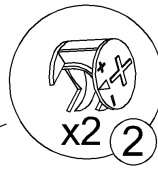
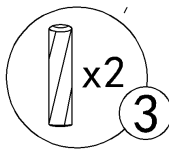
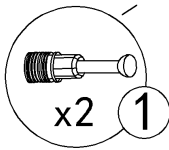
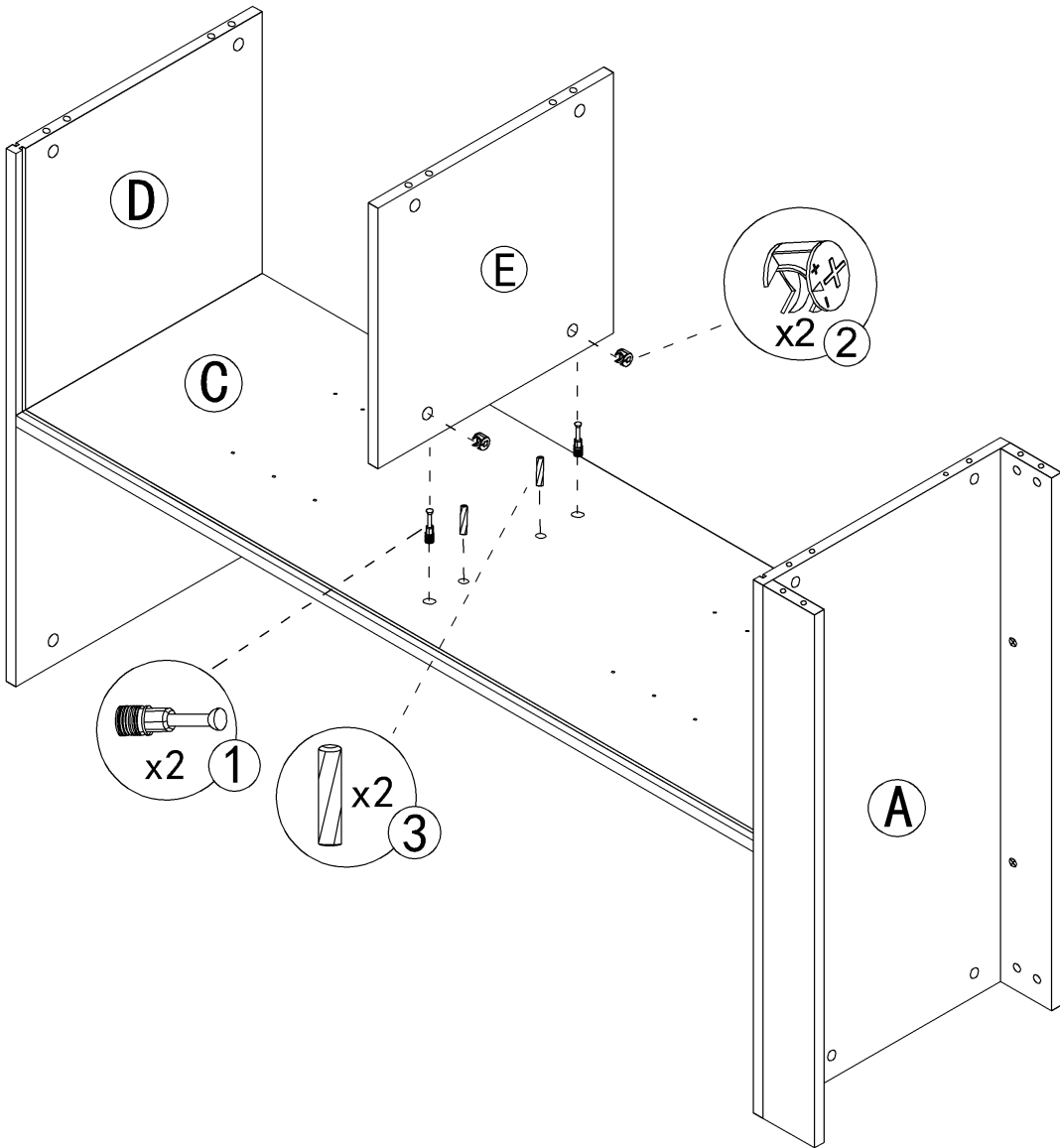
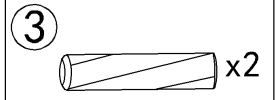
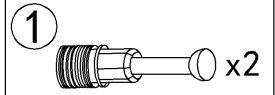
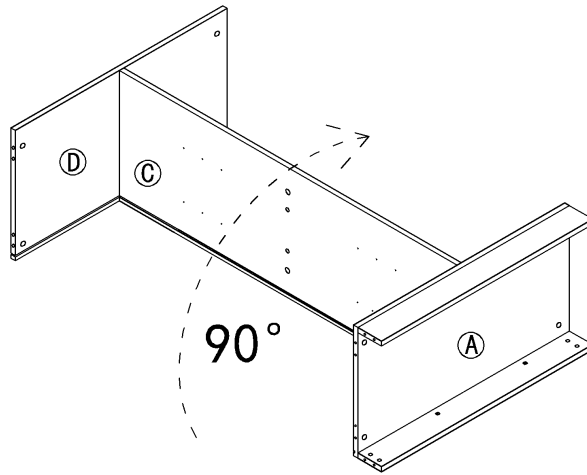
2  x26

3  x16

10  x4

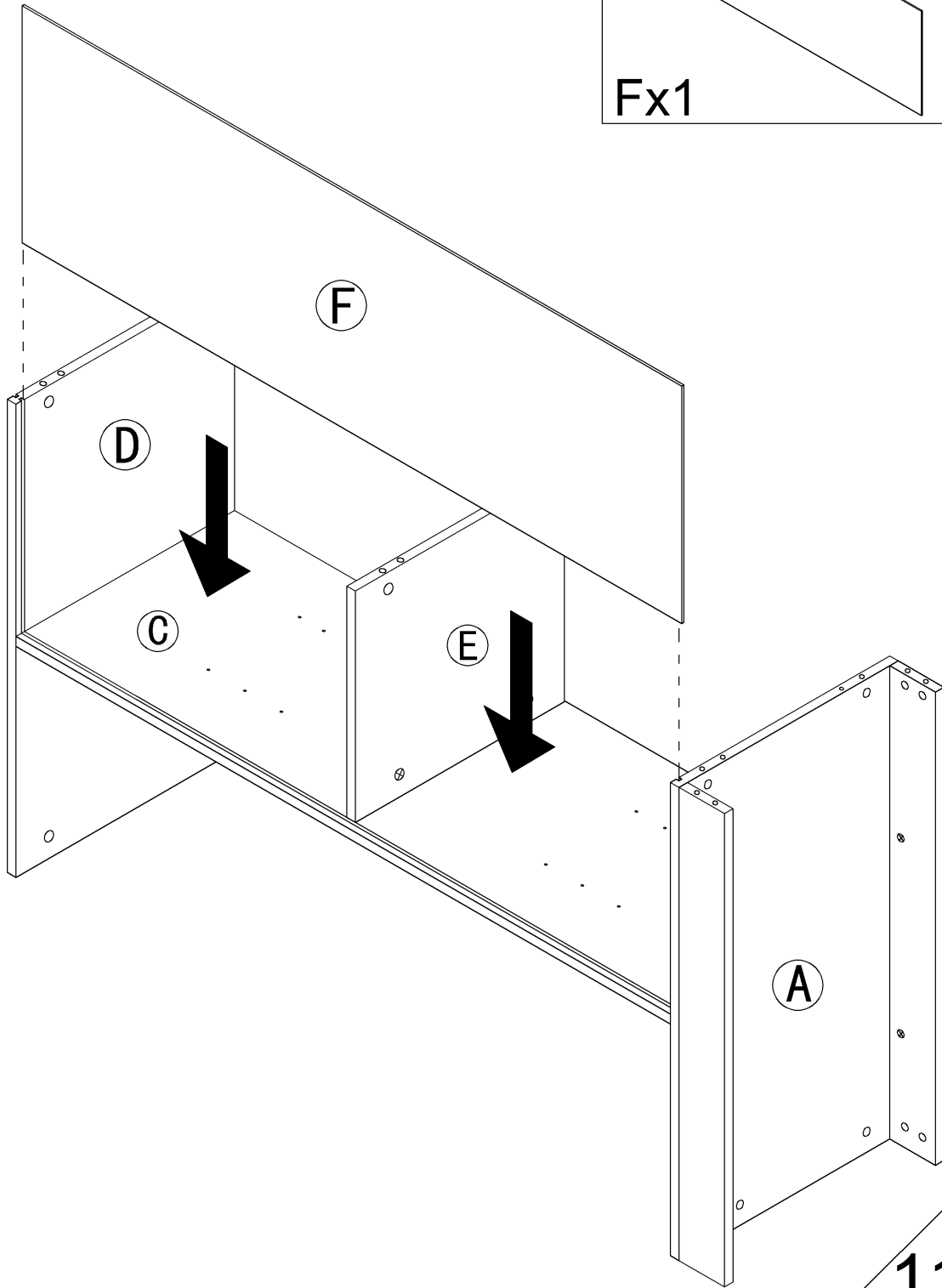


Step 6

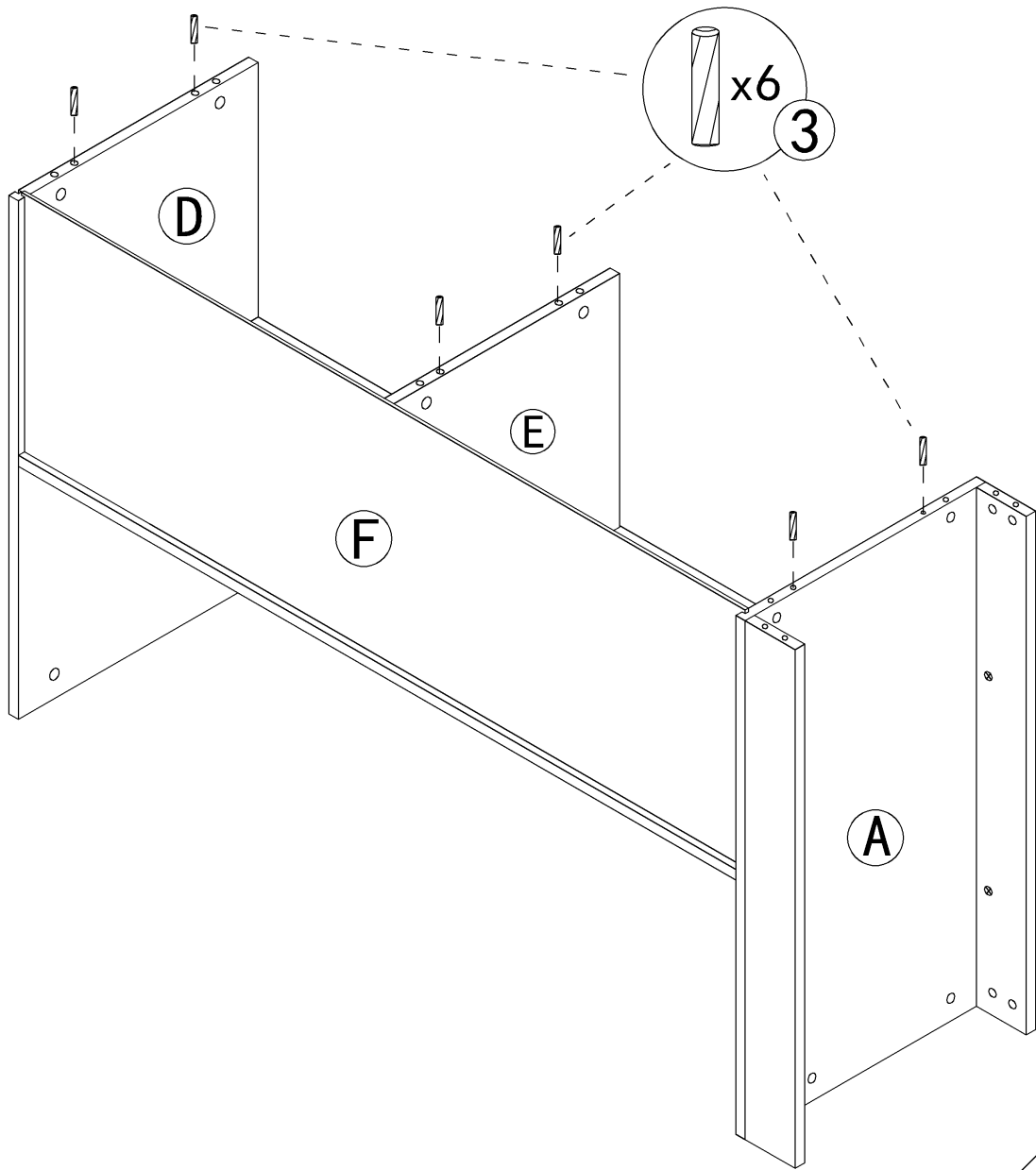
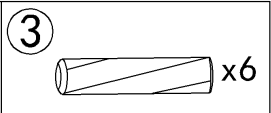


Step 7

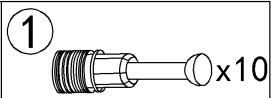
Fx1



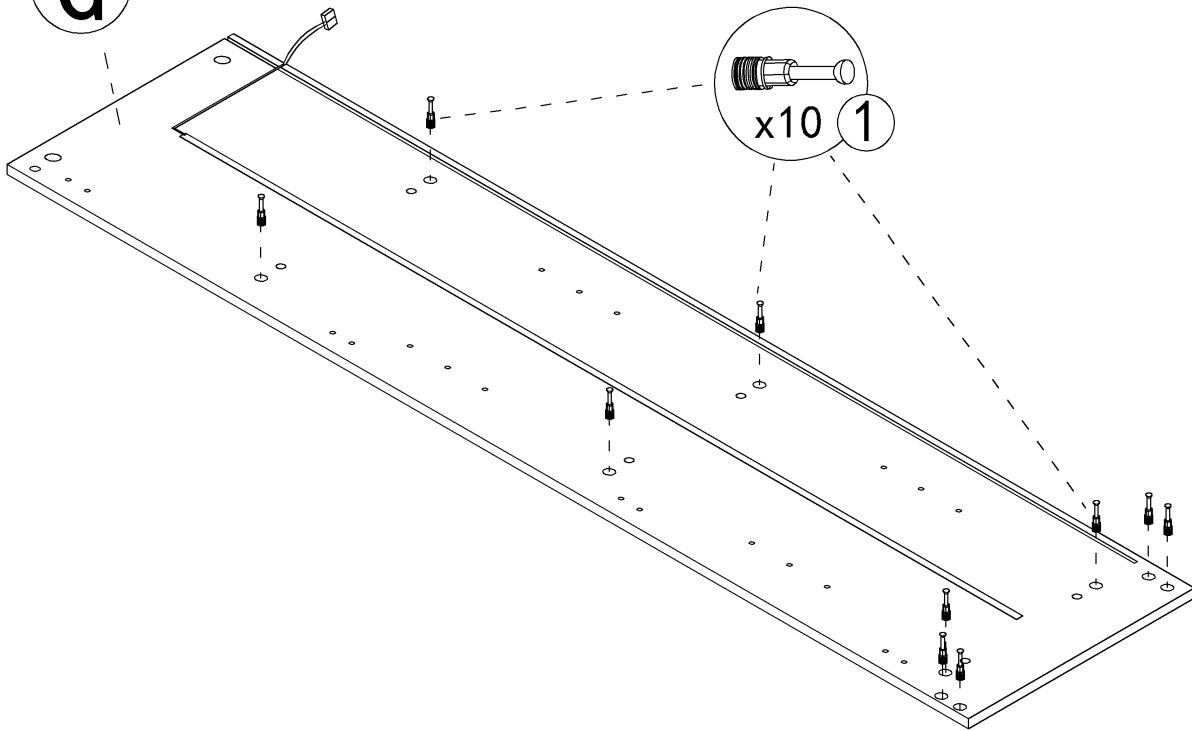
Step 8



Step 9

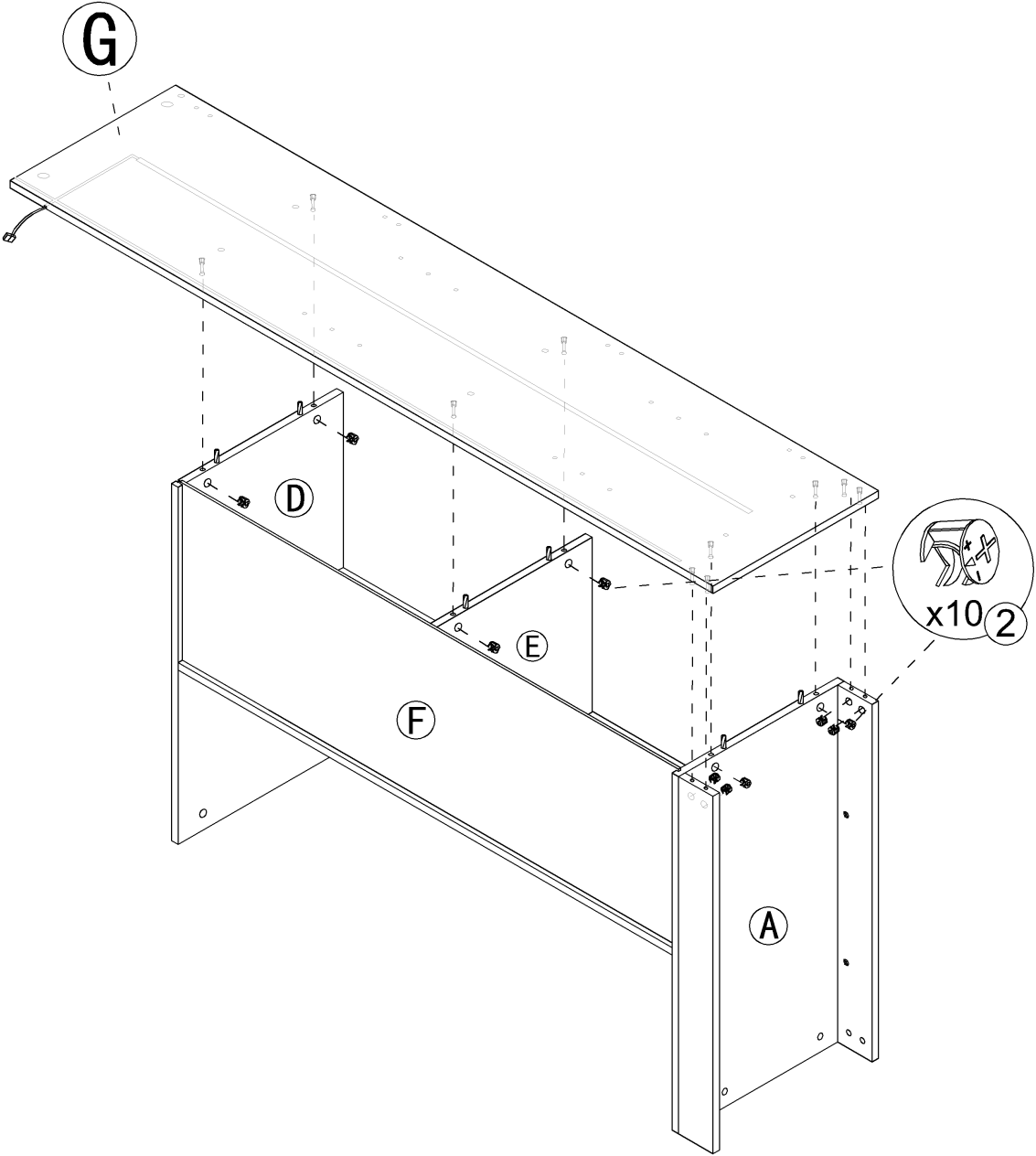


G

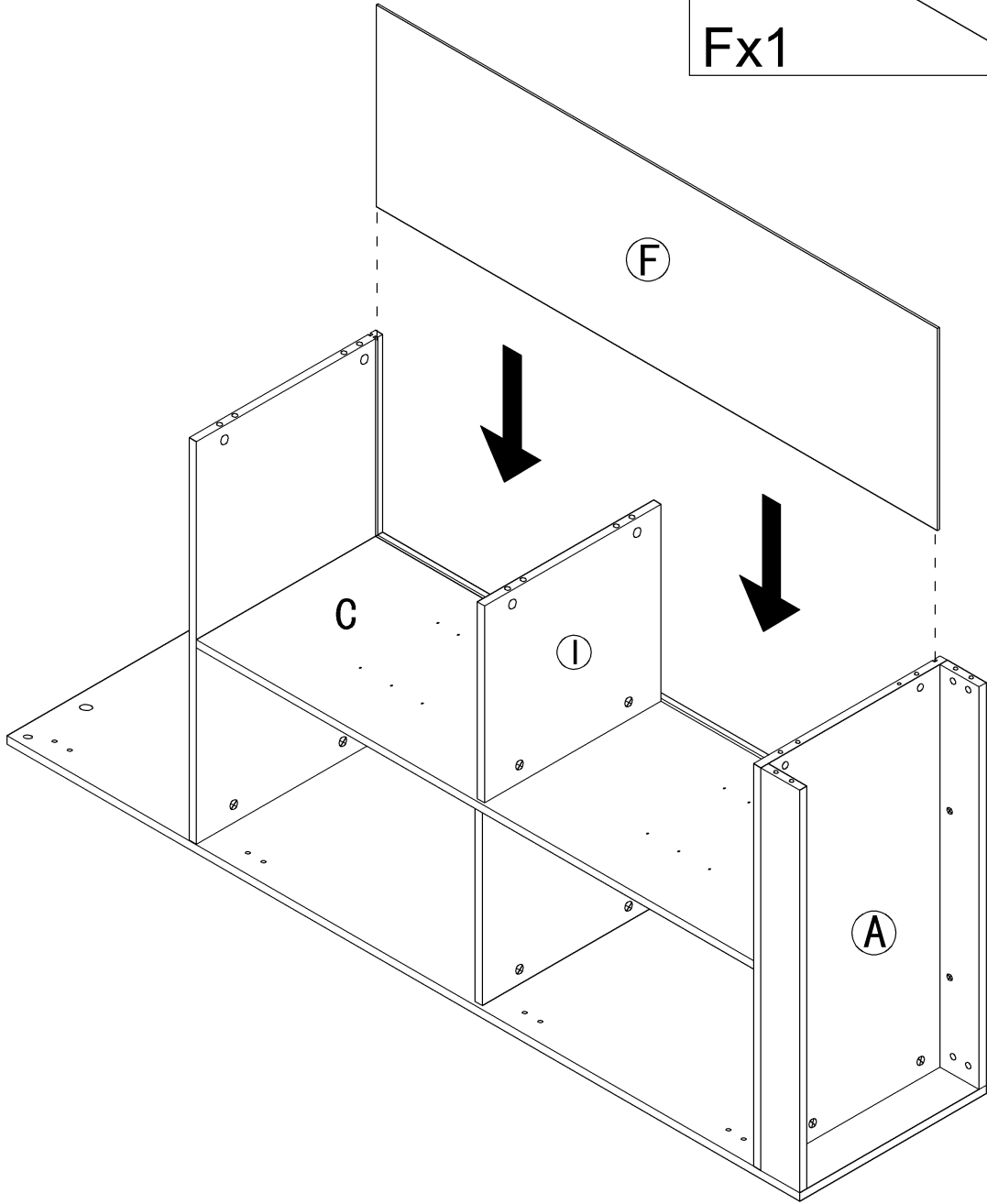
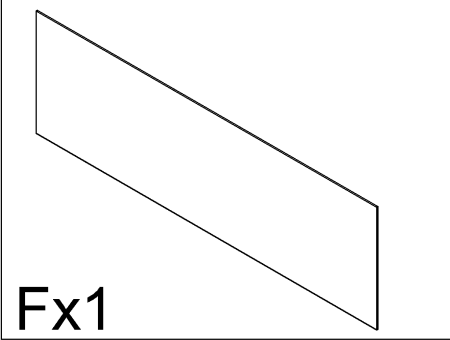


Step 10

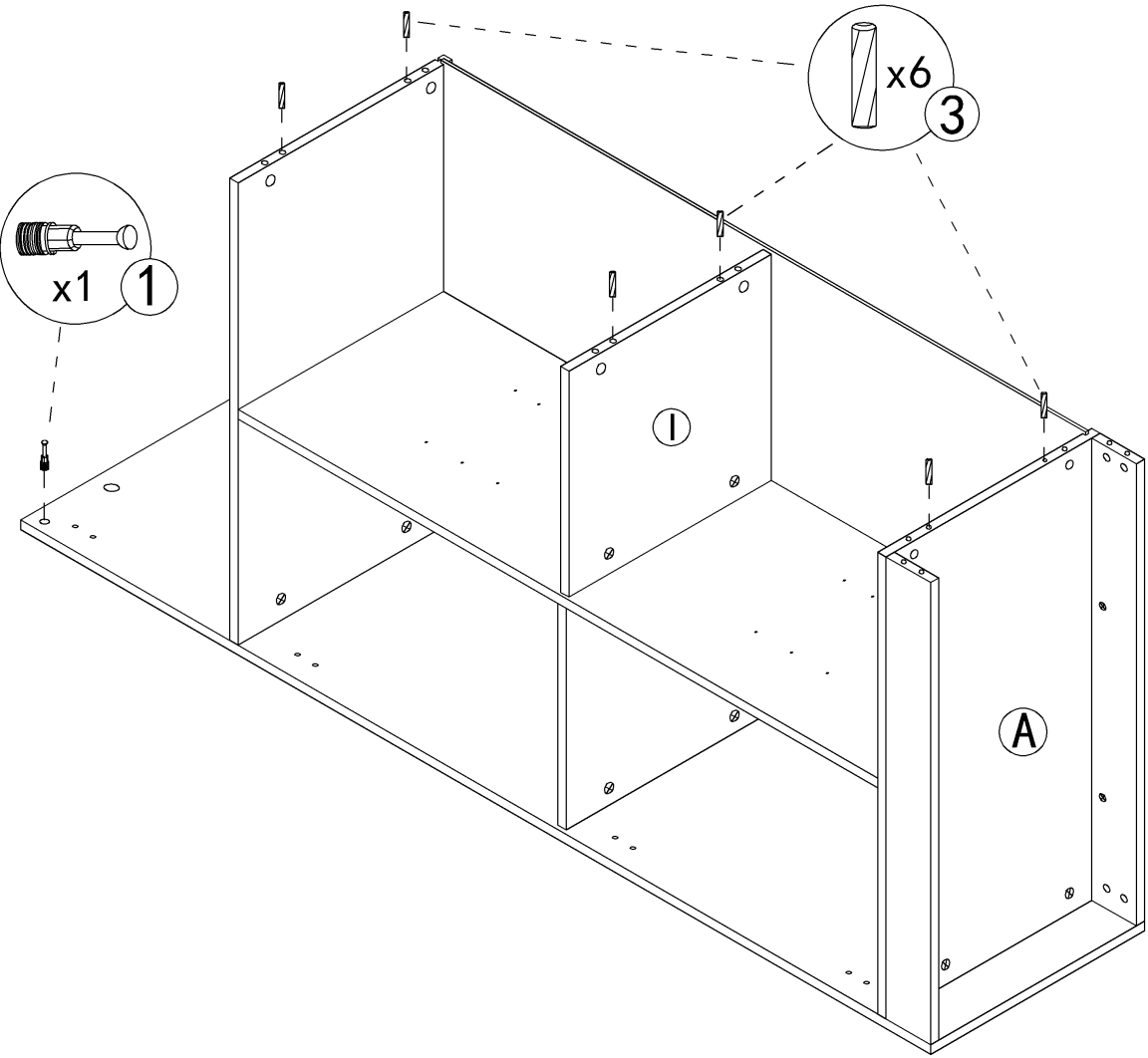
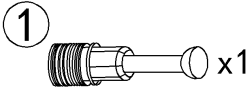
2  x10



Step 12

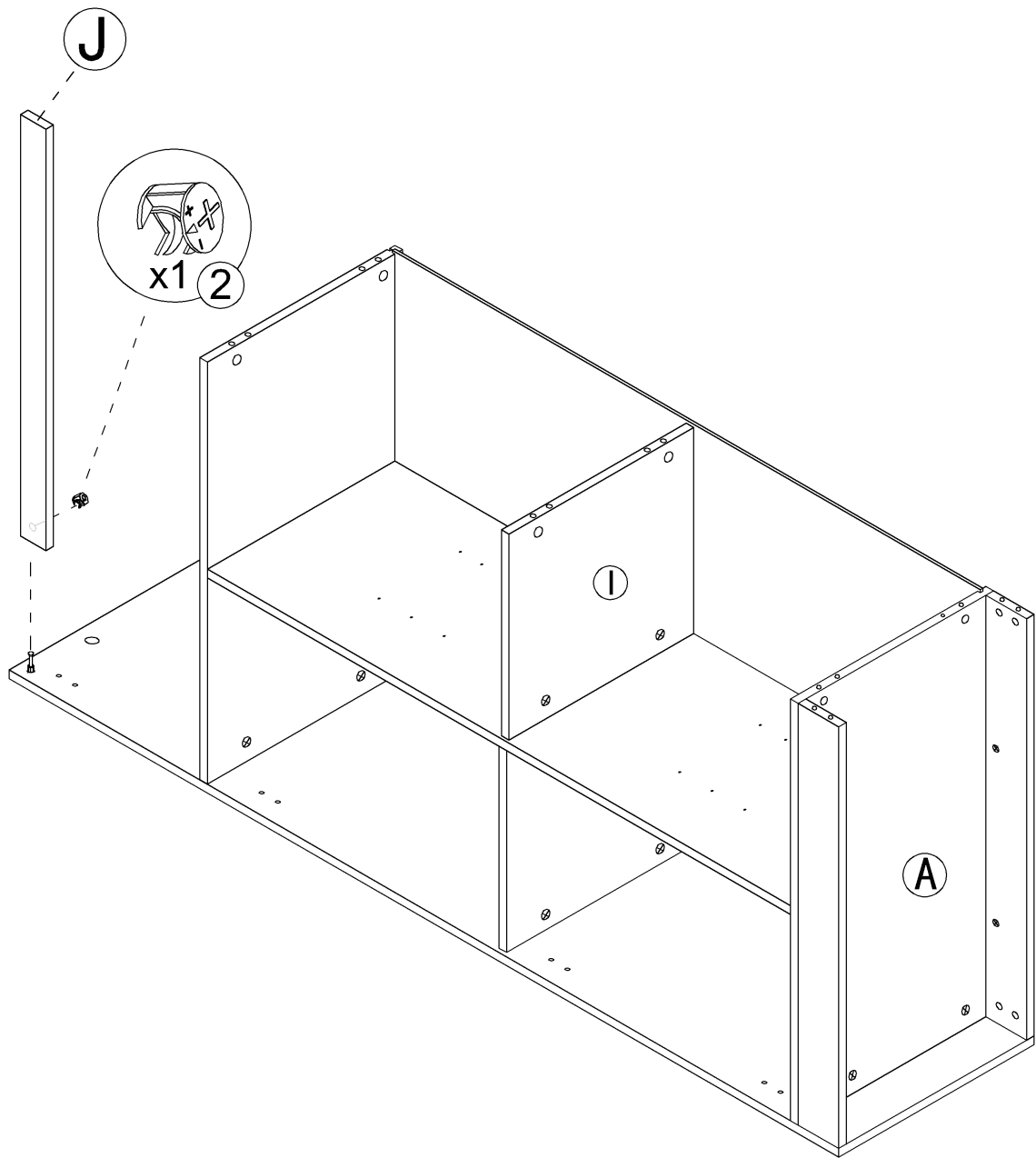


Step 13

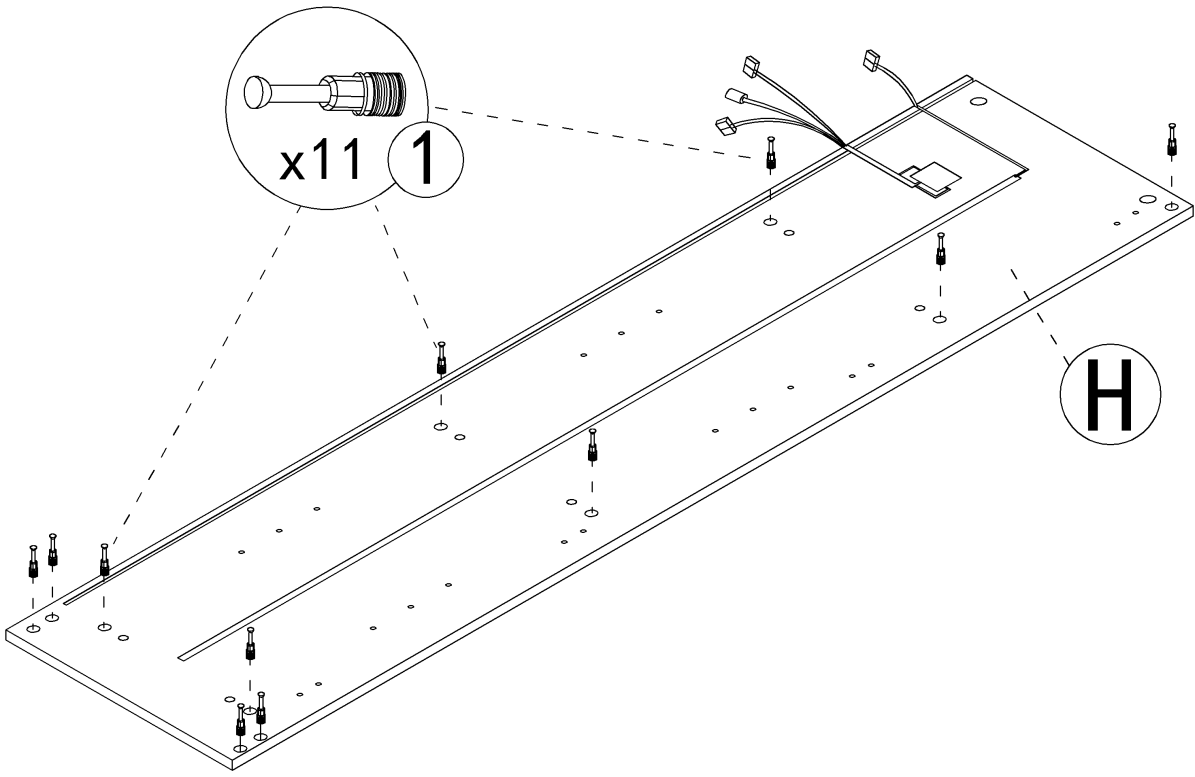
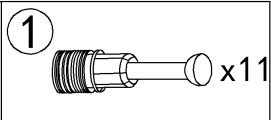


Step 14

2  x1

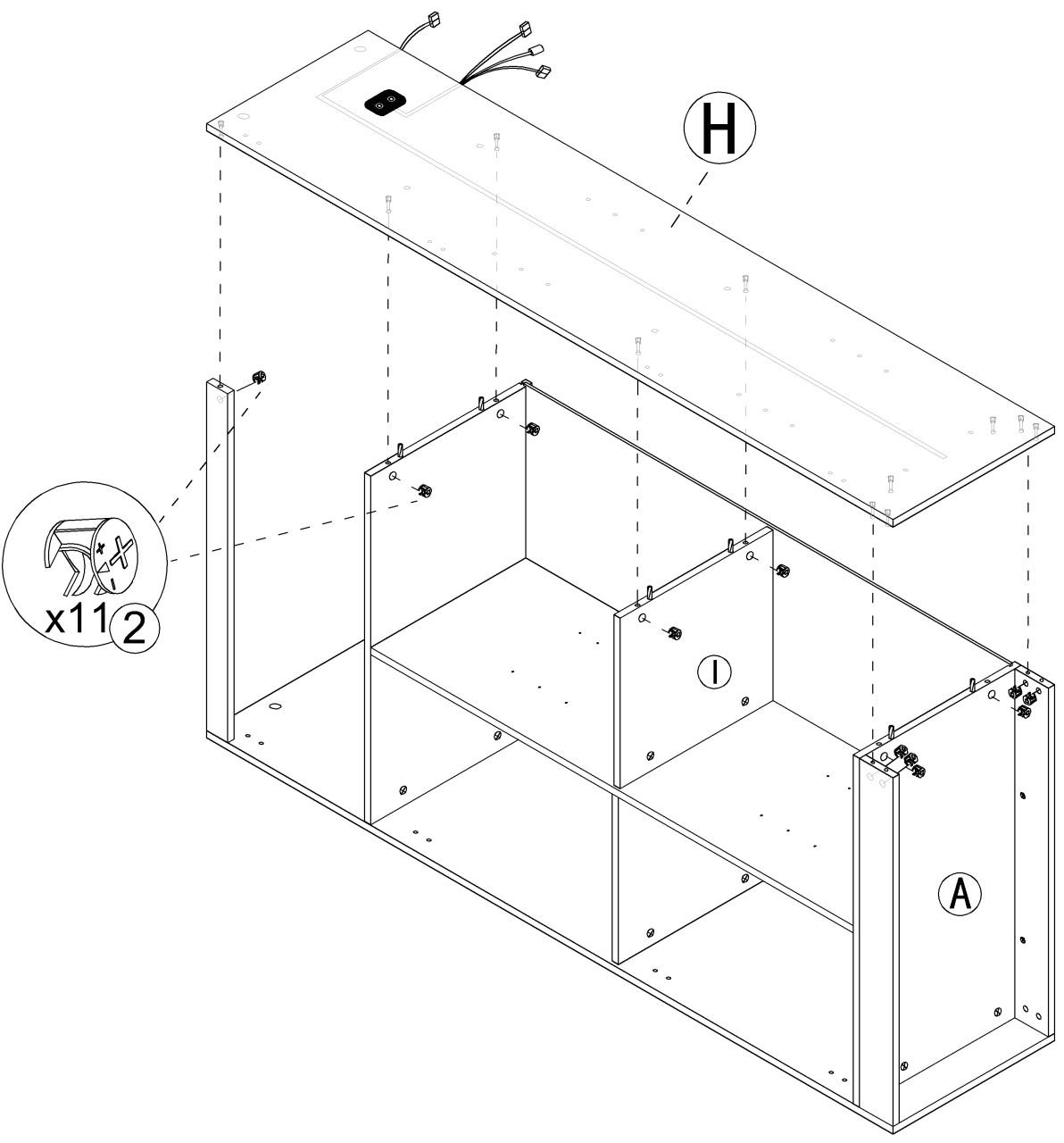


Step 15



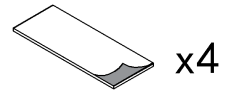
Step 16

2  x11

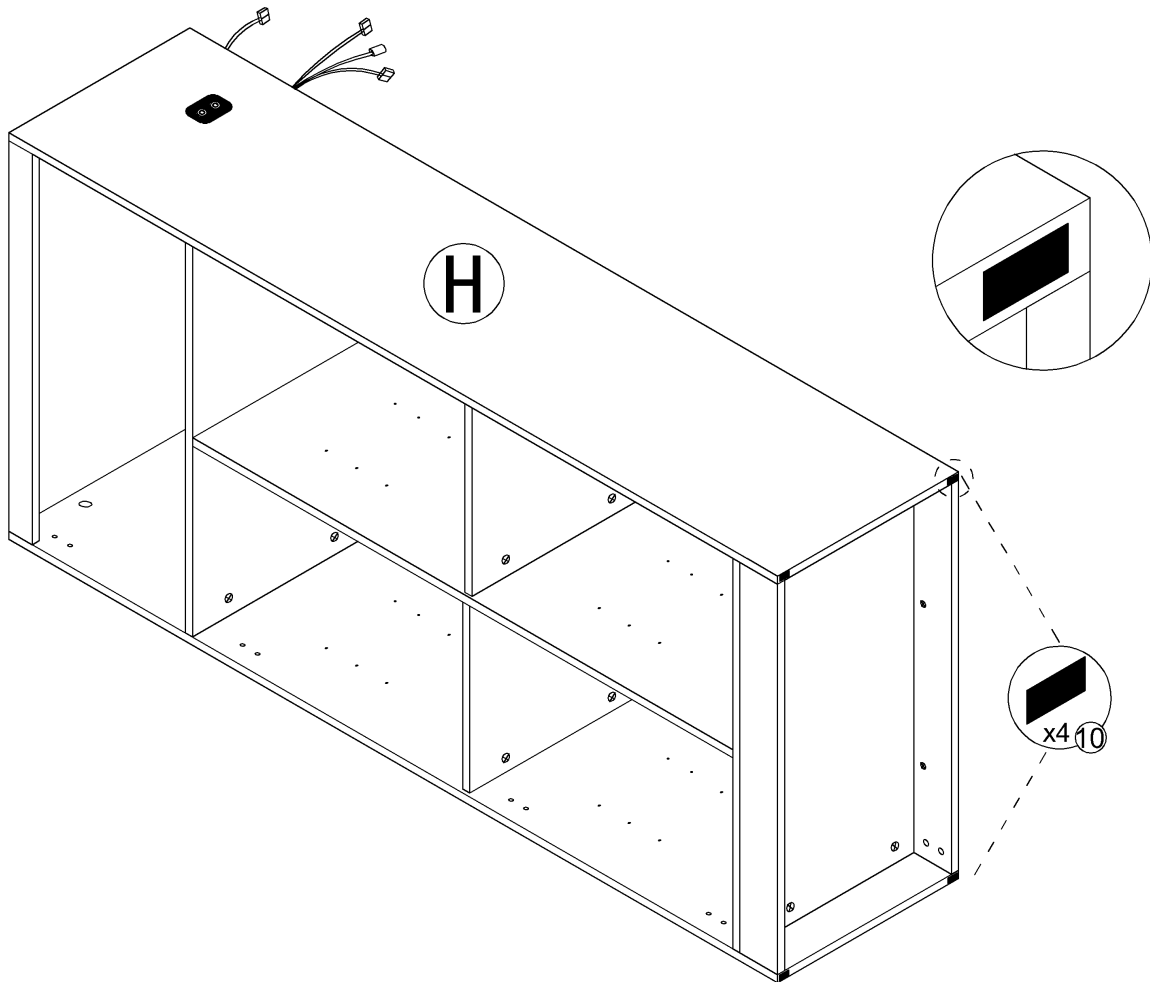


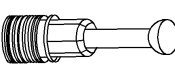

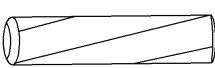
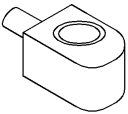
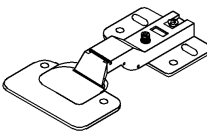



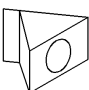


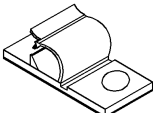
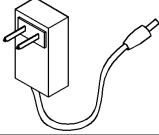

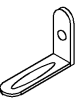
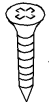
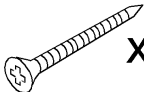

Step 17

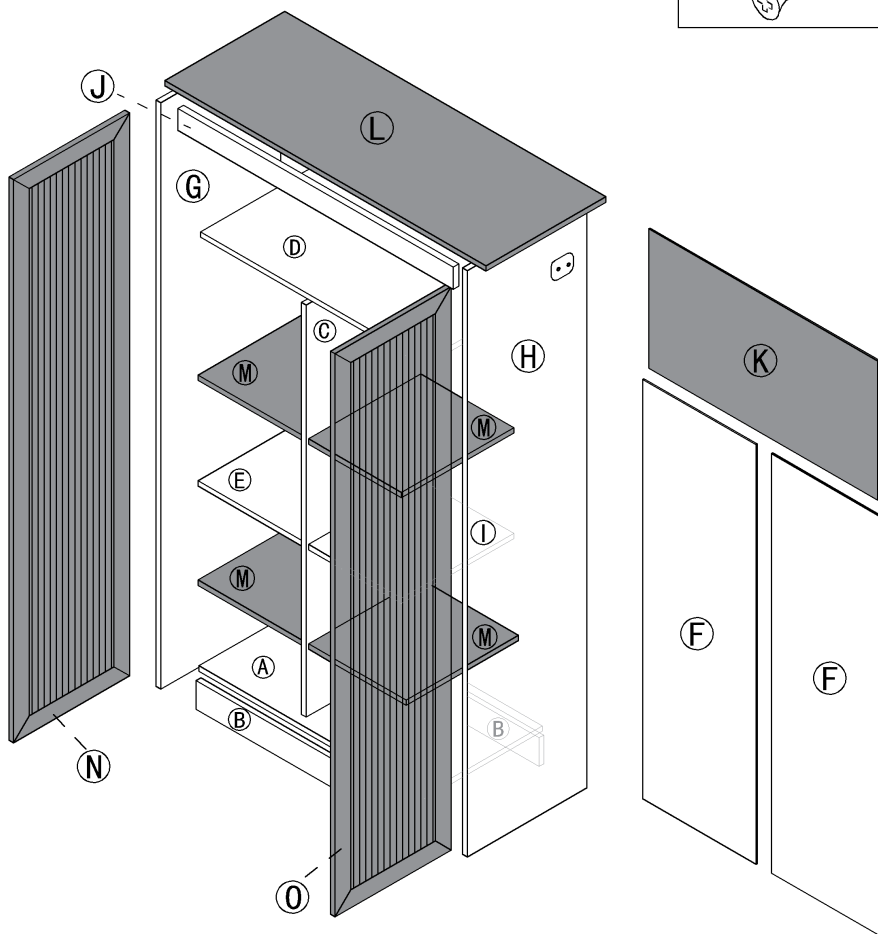
10



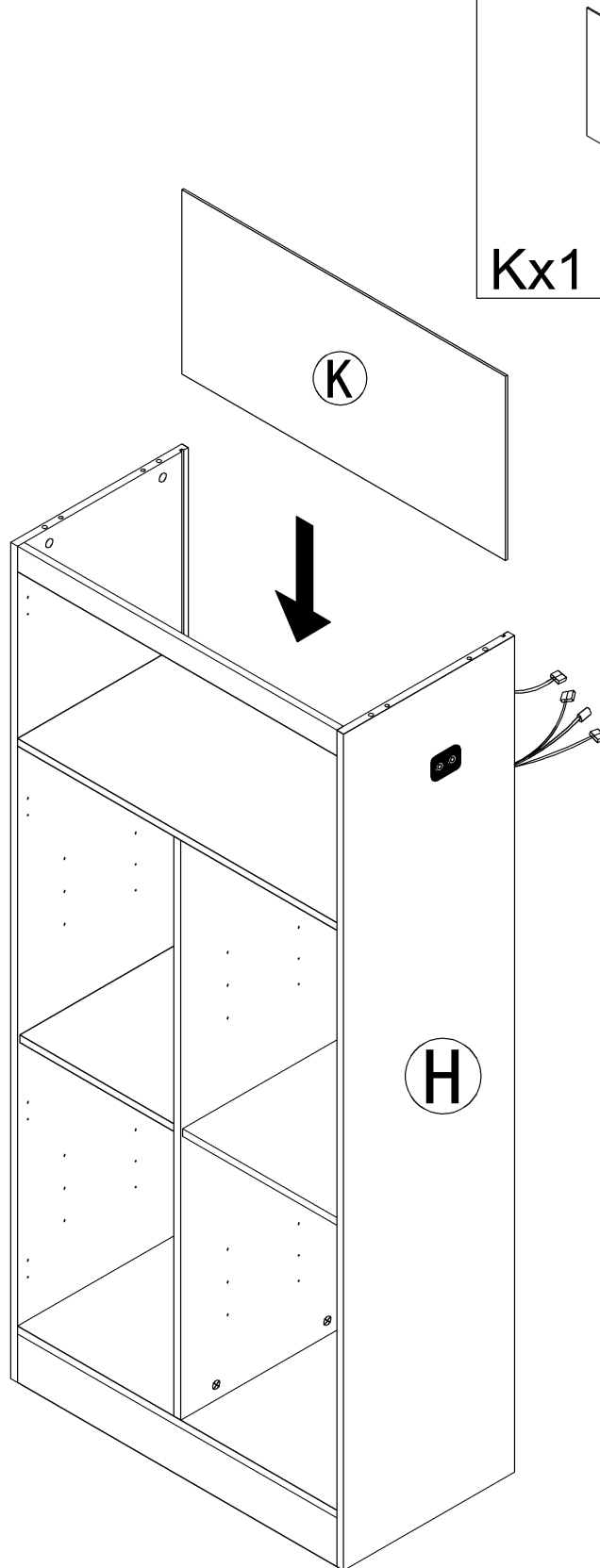
Tear off release paper and stick the black foot pad on the board



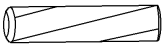
1  x6	2  x6	3  x4
4  x16	5  x8	6  x48
7  x4	8  x1	9   x12
 x2		
 x2	 x1	11  x2
		 x2  x2
		 x2  x4



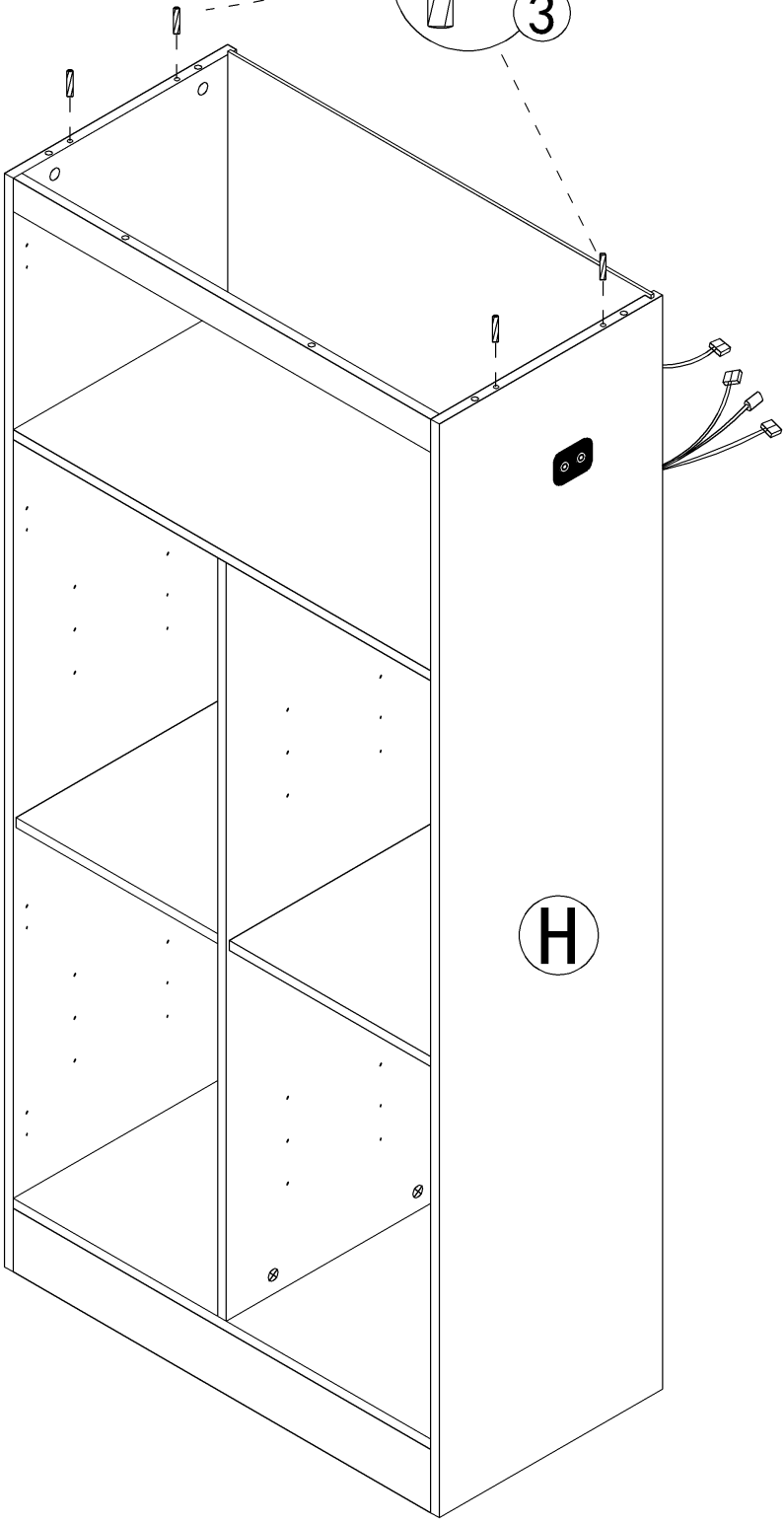
Step 18



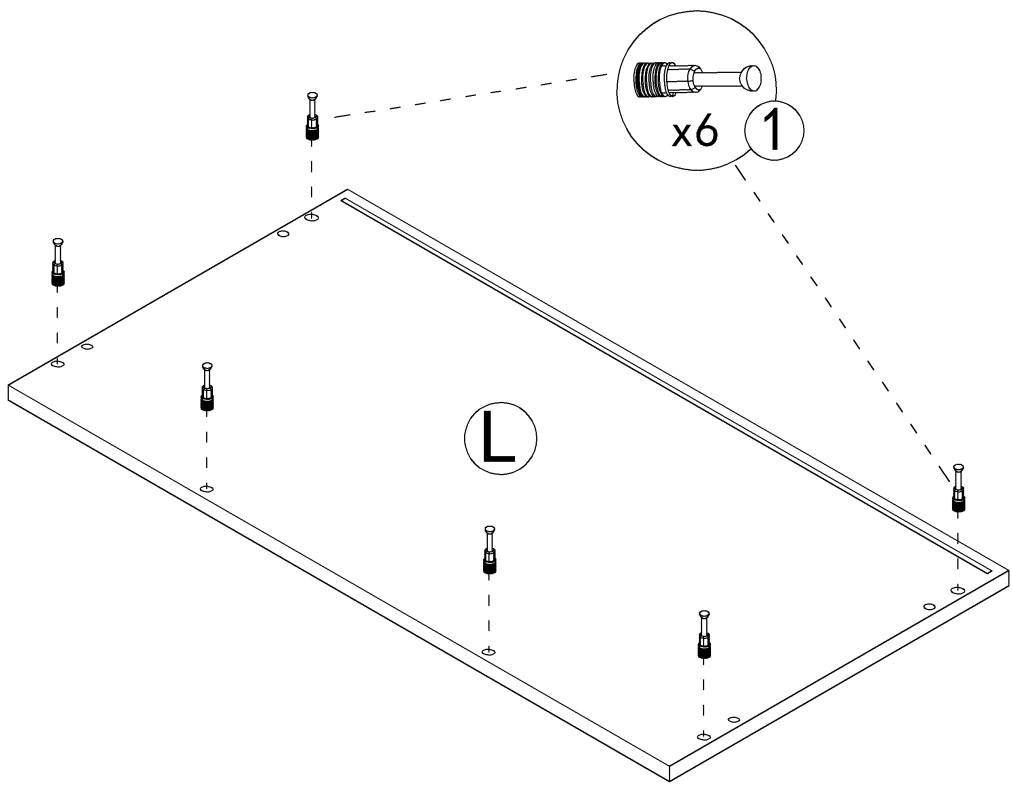
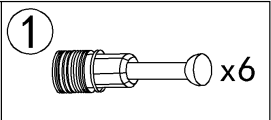
Step 19

3  x4

x4 3




Step 20



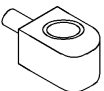
Step 21


2  x6

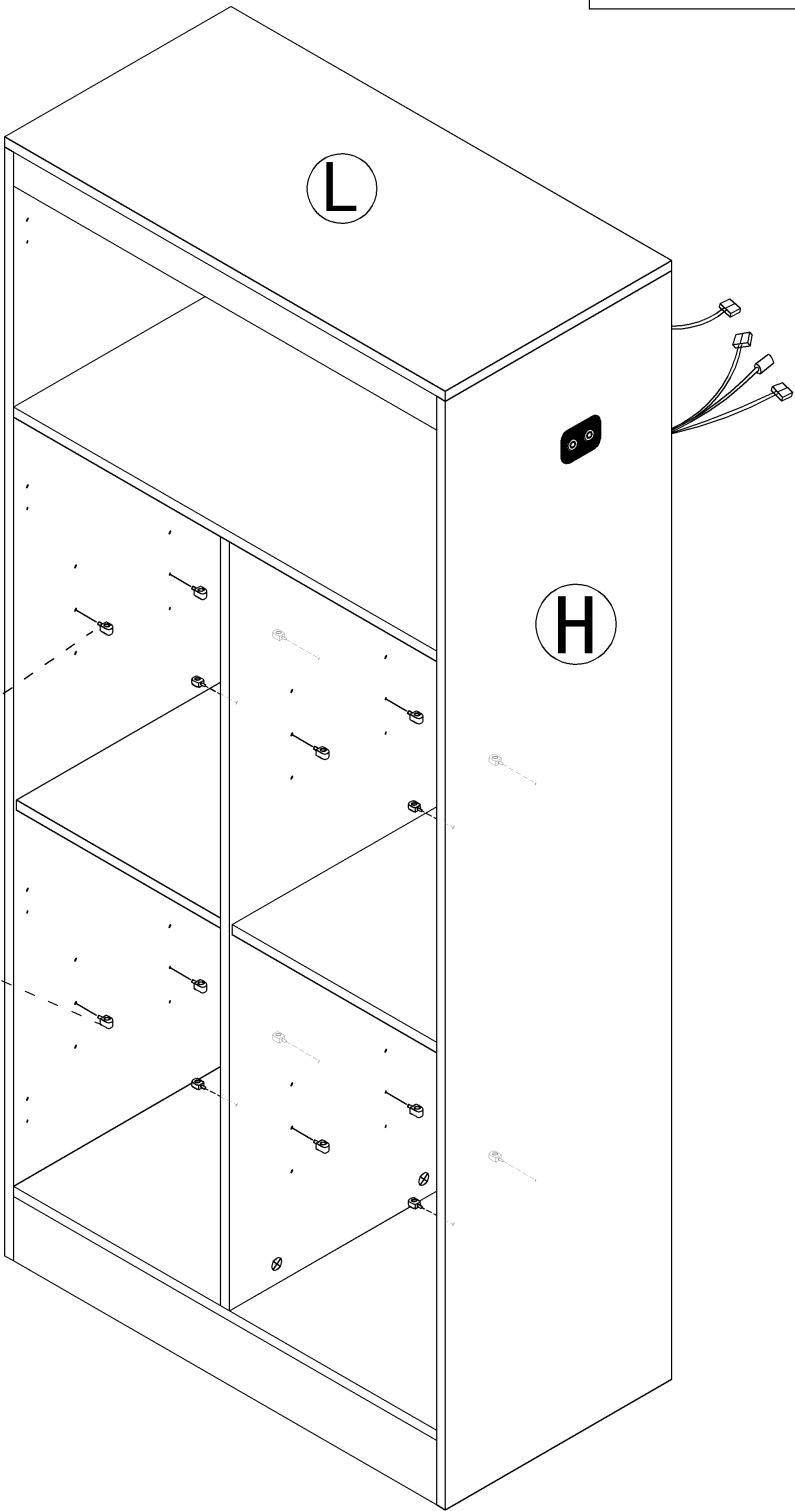
 x6 2



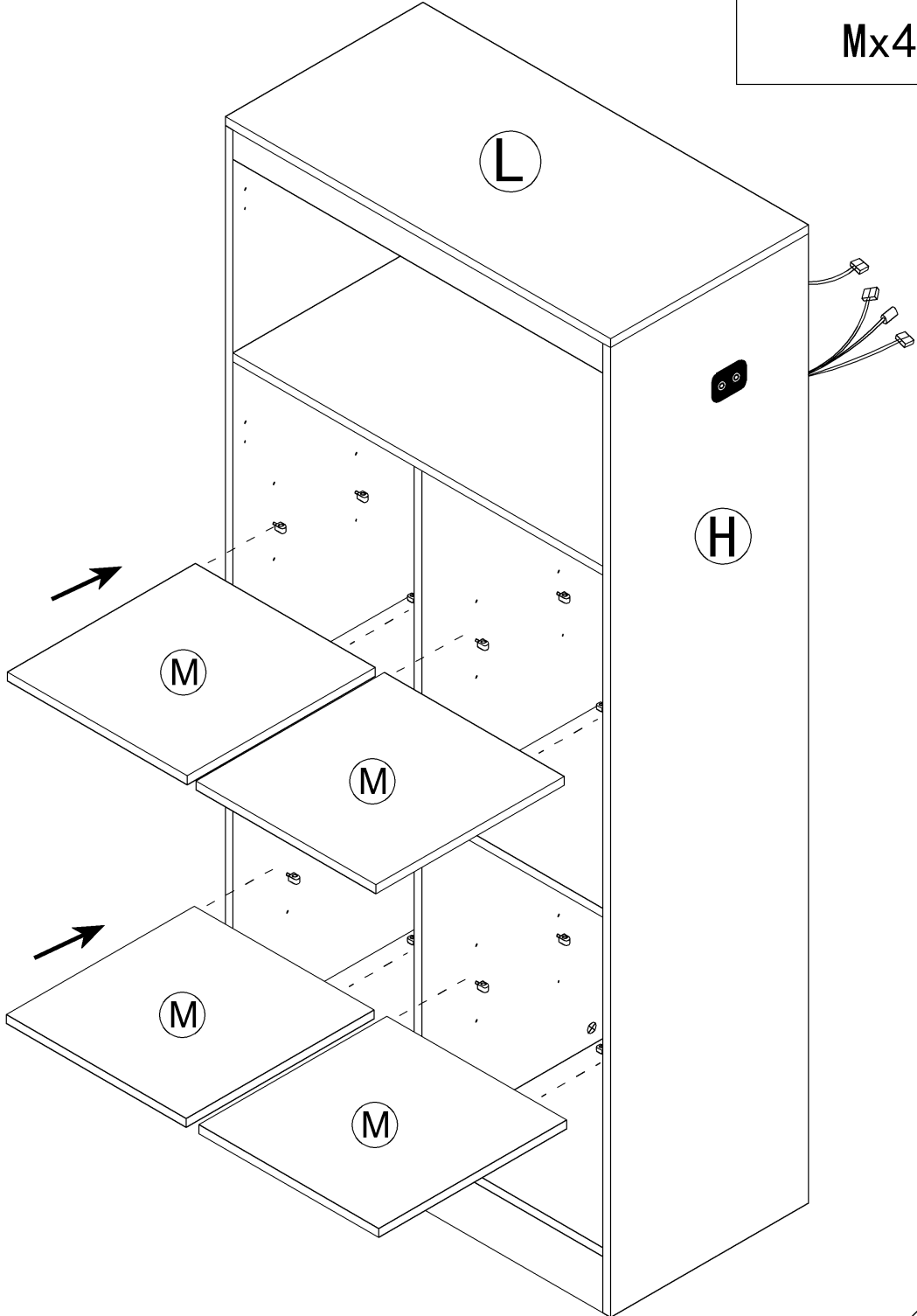
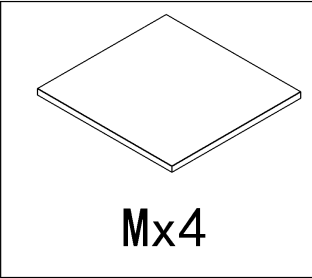
Step 22

4  x16

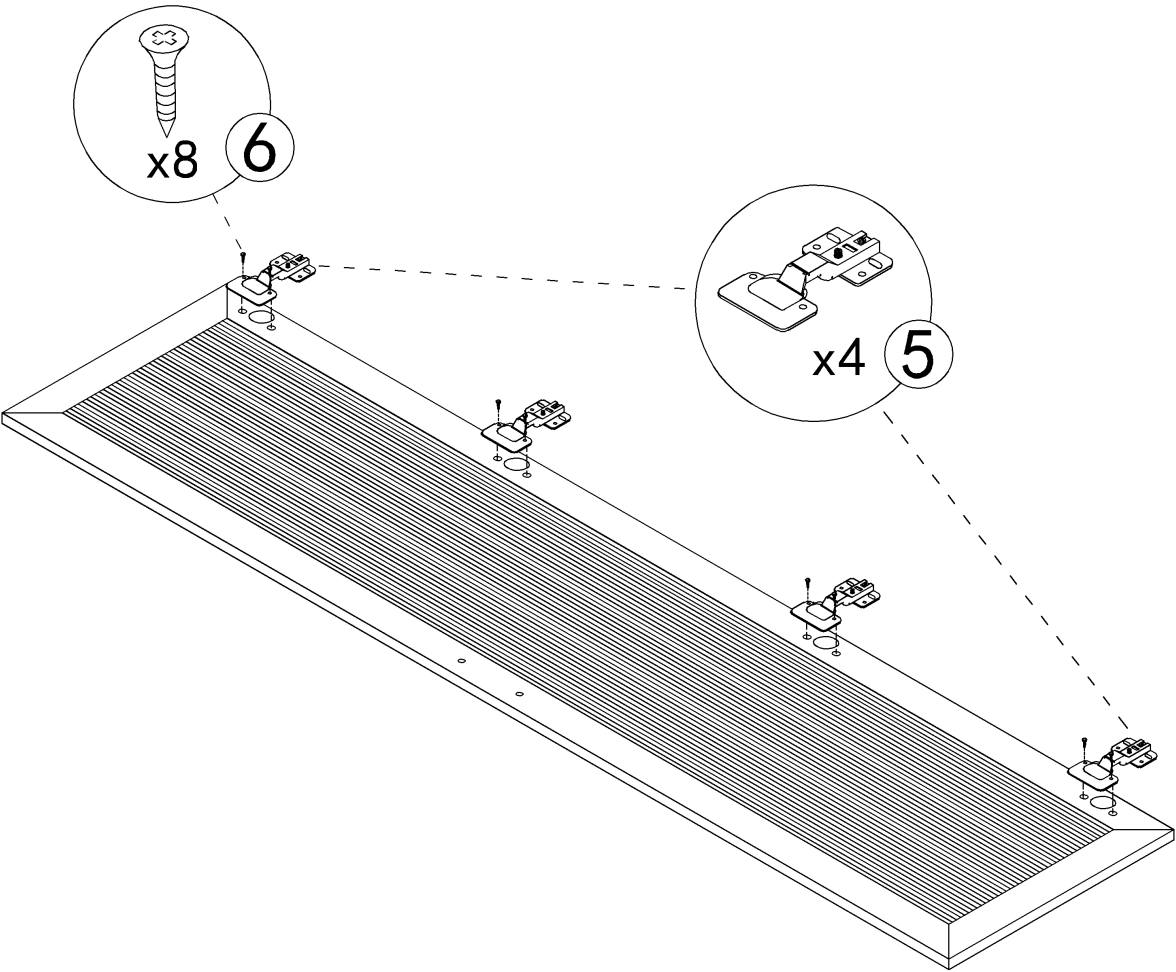
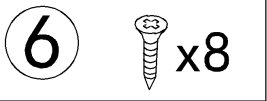
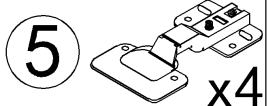
4  x16



Step 23

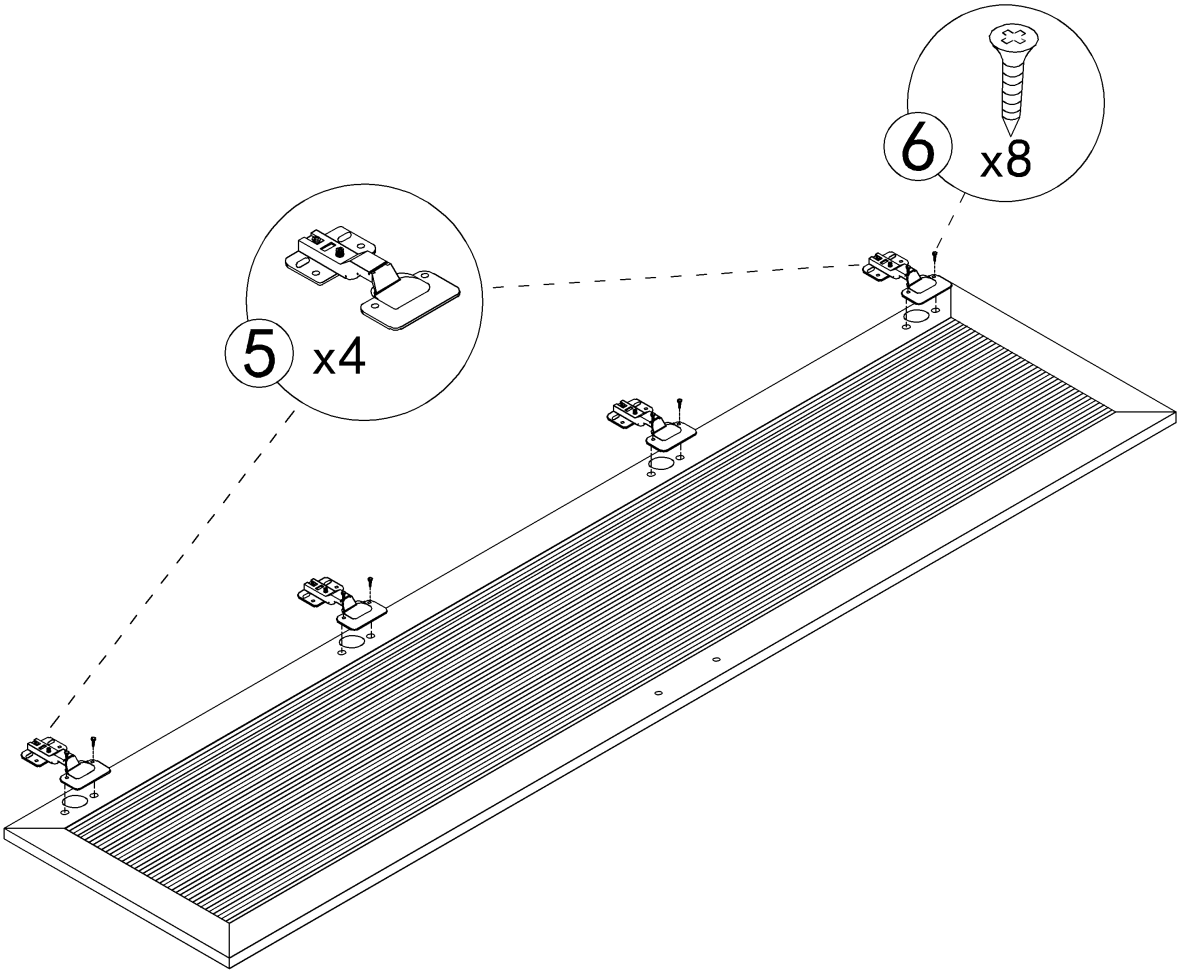
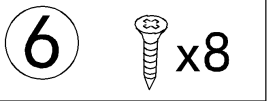
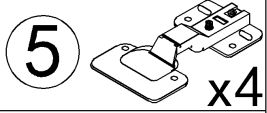


Step 24



Nx1

Step 25



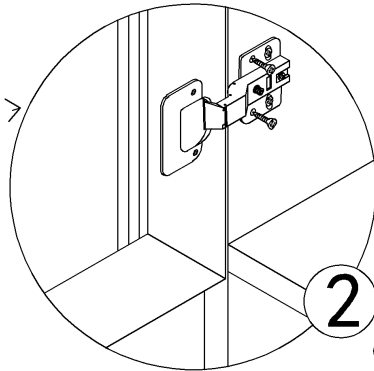
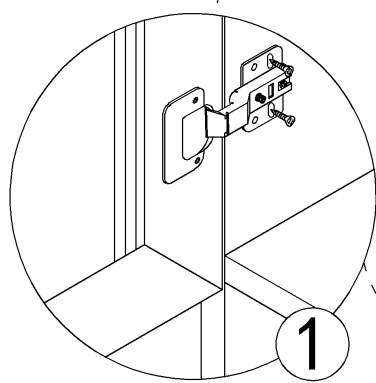
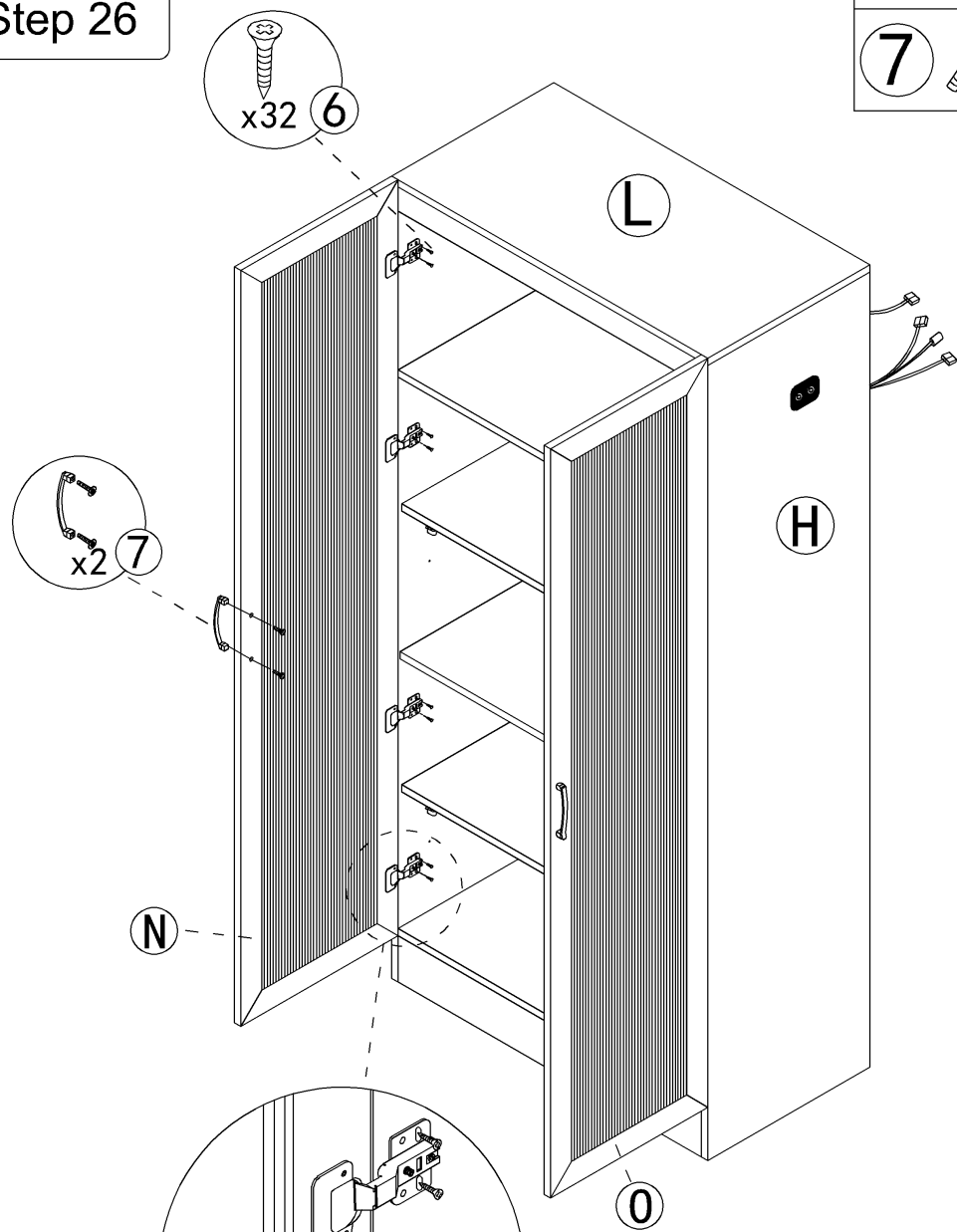
0x1

30

Step 26

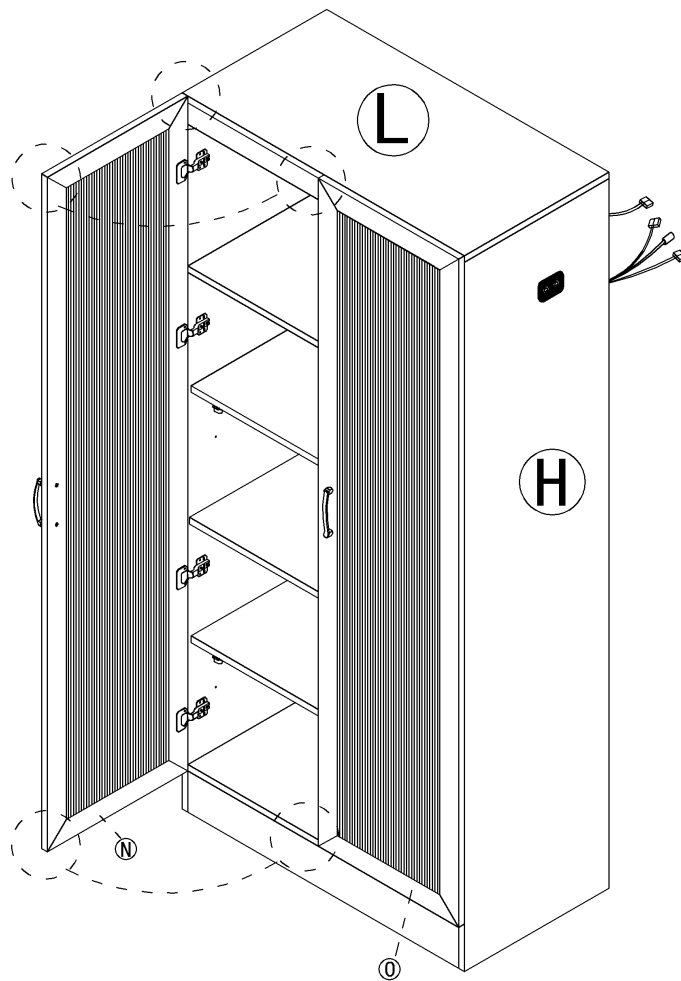
6 x32

7 x4 x2

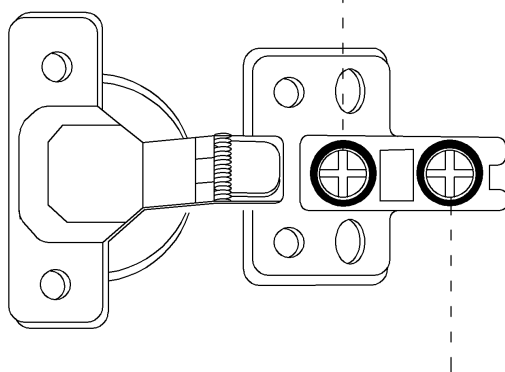


First lock the elliptical hole
then lock the fixed hole

31



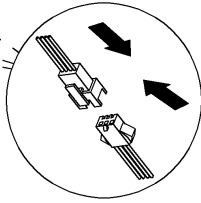
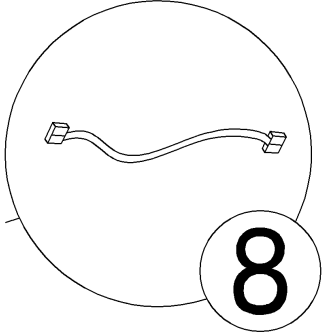
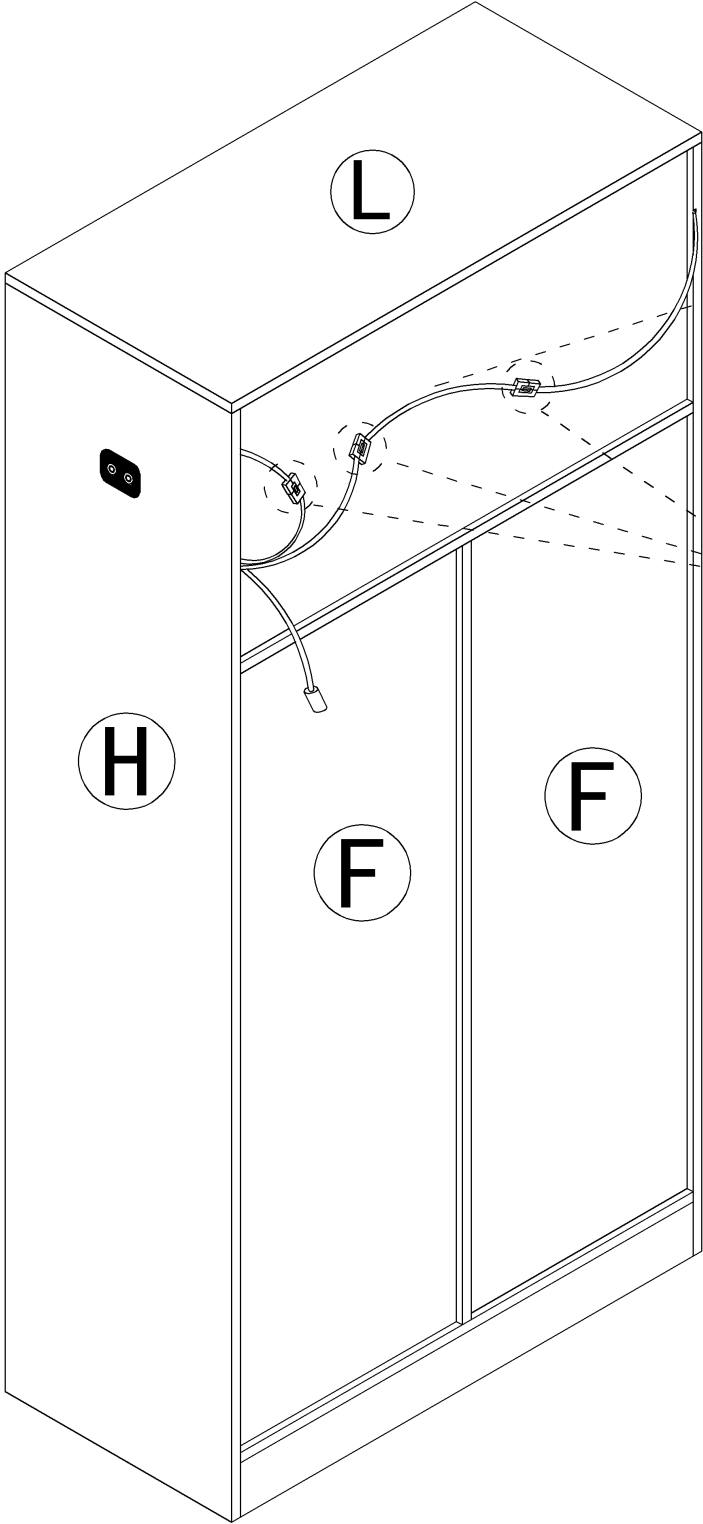
Turning this screw can effectively adjust the size of the door gap.



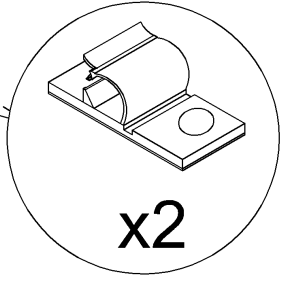
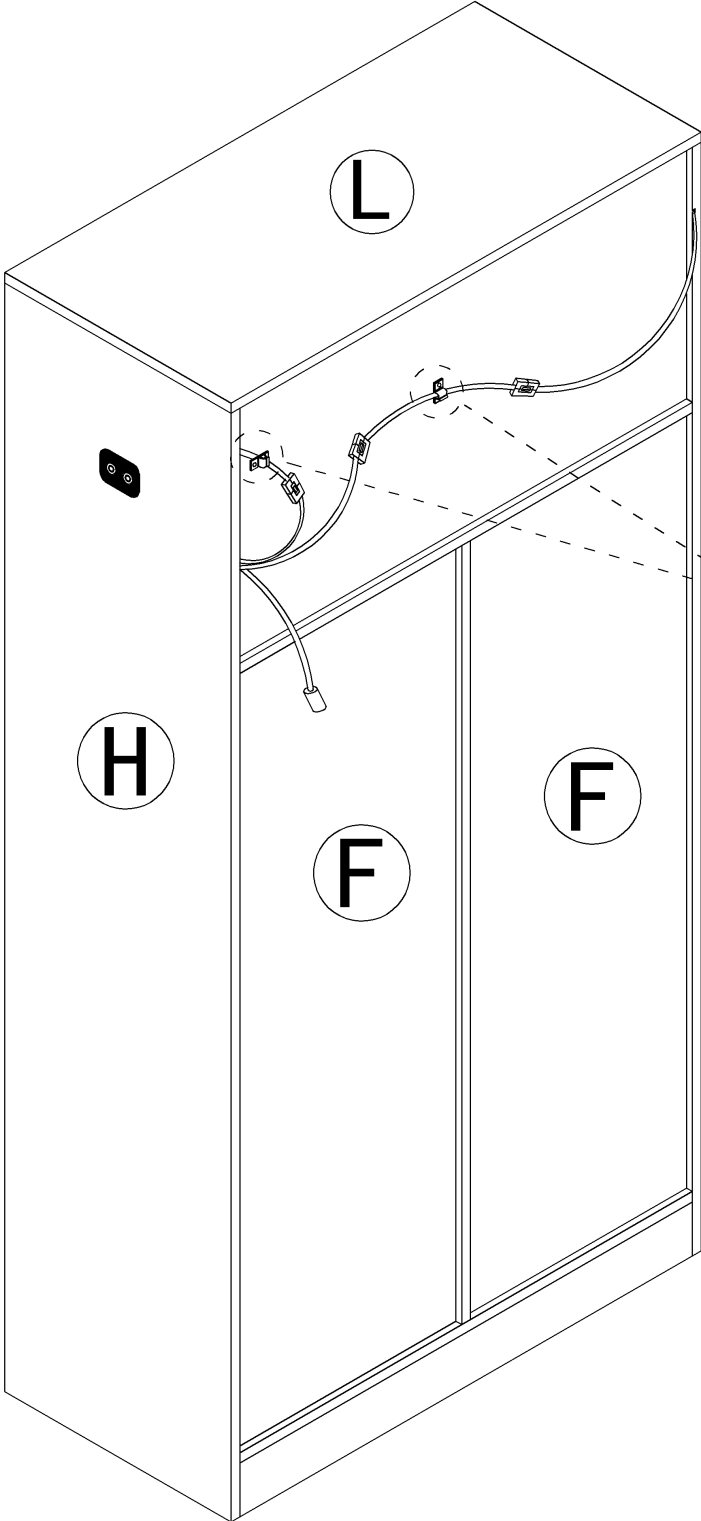
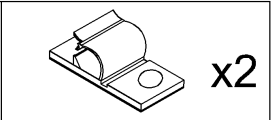
Turn this screw to adjust the door panel to be flat with the side panel.

Step 27

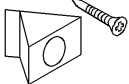
8 x1

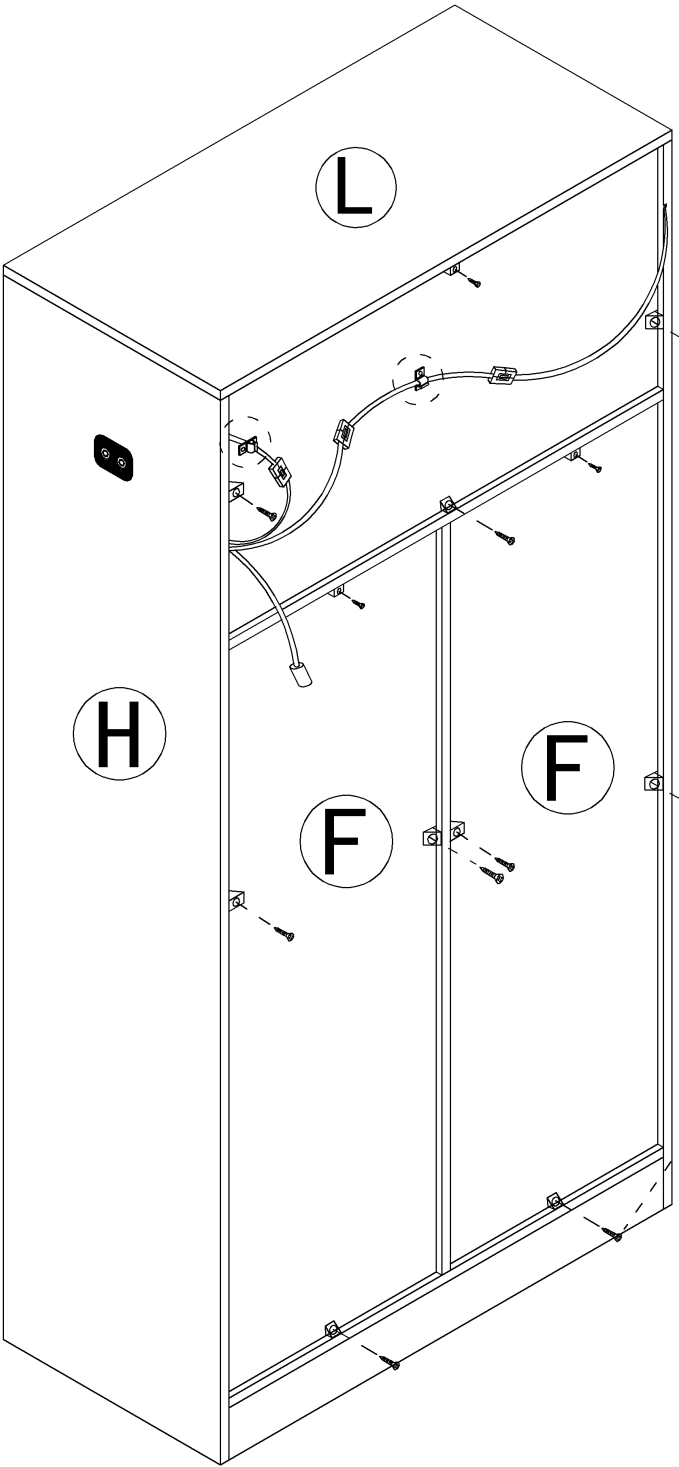


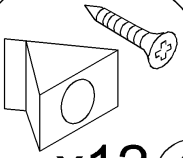
Step 28



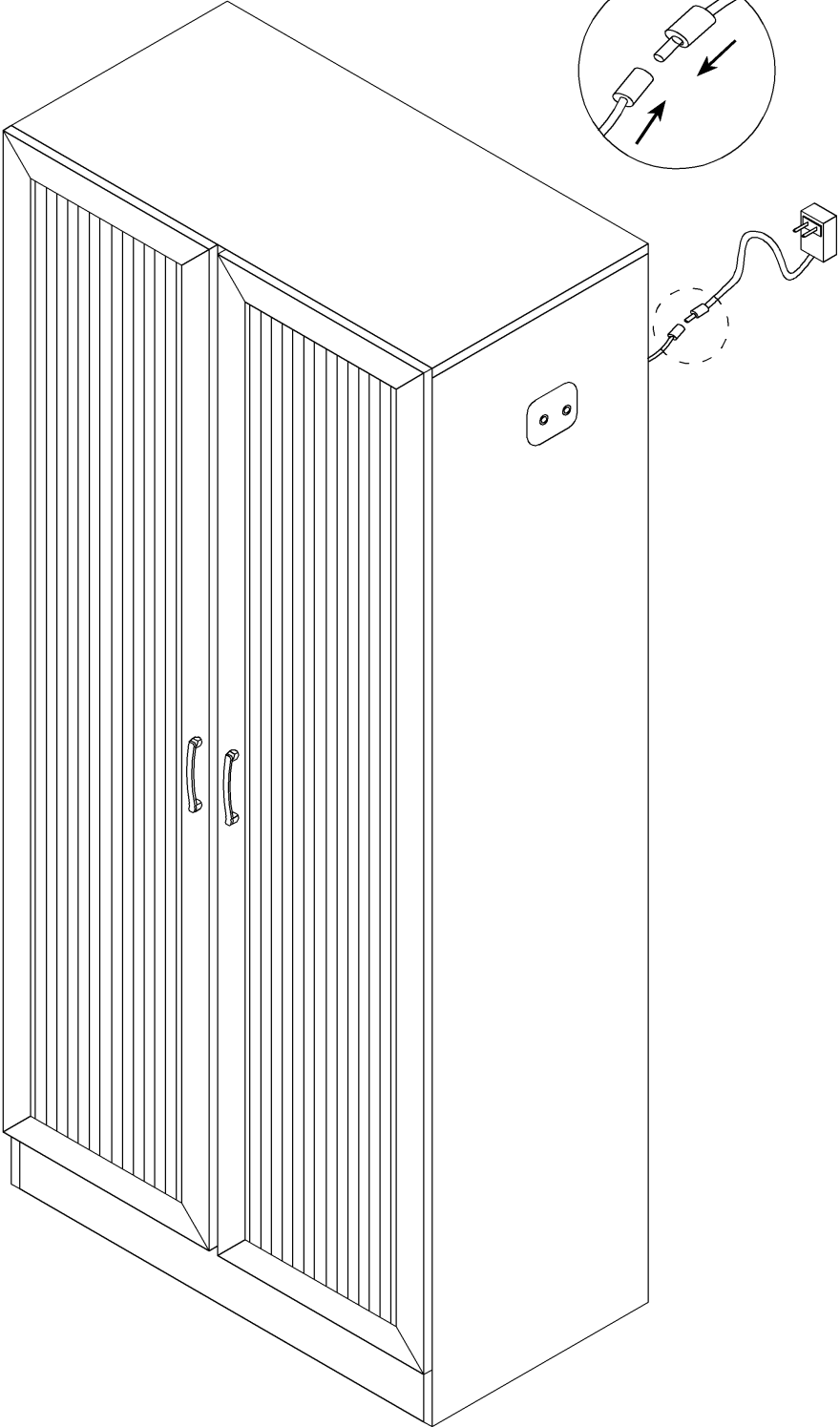
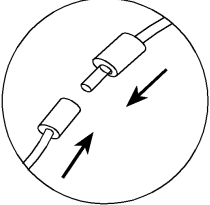
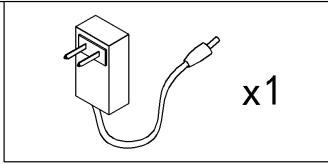
Step 29

9  x12



 x12 9

Step 30



Install as required

Step 31

Wall Mount

+

Wall

Drill the hole after measuring and marking position.

Wall

Wall

11

x2

x2

x2

x2

x4

4x45mm

3.5x14mm

11

wall

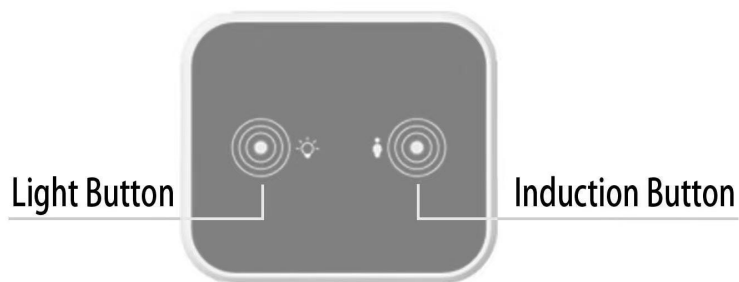
User's Guide

Thank you for purchasing this product. To use this product, please plug it into a 12V DC power supply. Please use if the product works normally after connecting to power.

Introduction

The box is an intelligent controller with 2 touch buttons. It can turn ON/OFF the light, change light colors, and adjust the light luminance.

Product Show



ATTENTION PLEASE

1. If there is no touch response suddenly, Re-plug the power to reset the touch static electricity.
2. If bubbles appear on the panel, remove the protective film.

Operation



This touch button is used to turn on/off, change colors, and adjust brightness.

A. Short touch -> lighting on -> short touch -> change light color -> short touch -> change light color -> short touch -> lighting off. B. Long touch -> adjust the luminance



This touch button is used to turn on/off the induction function.

A. Short touch to turn on the induction function. It can auto-turn on the light when people are close to the controller in 1 meters. It can auto power off the light when the body is far away from the controller after 30 seconds.

B. Long touch to turn off the induction function.

C. Note: When you touch the light button to change the light modes, the induction function will automatically turn off. It is best to turn on this function after selecting the light color and adjusting the brightness you want.