

Assembly Guide

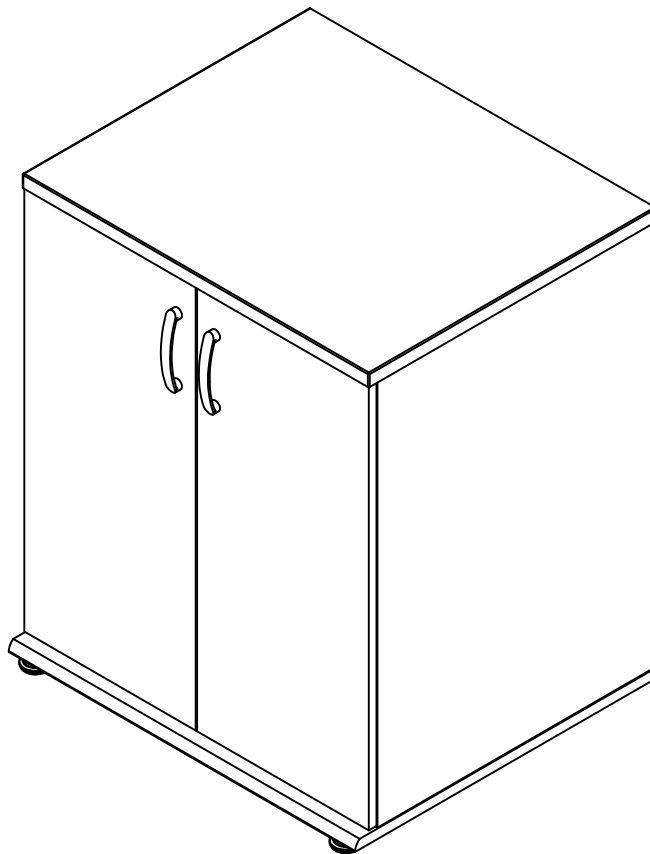


If you're having any difficulty during assembly of this product, don't hesitate to call us at 1-800-950-4782.

Our customer service experts are trained to provide step-by-step instruction and can easily replace any missing or damaged parts.

Representatives are available Monday-Friday from 8:30 a.m. to 7:30 p.m. (ET)

28W Base Cabinet



Lot Code #

Part Number A195528

Keep manual for future reference.

For best results, keep these tips in mind:

- ① We know you want to finish this assembly as quickly as possible, but trust us: you'll have a better experience if you take it one step at a time.
- ② Give yourself some room to work near where you want the fully assembled product.
- ③ If your floor isn't carpeted, assemble this product on the empty carton to avoid scratching.
- ④ Do you have a friend who owes you a favor? Some steps may go a little easier with a second set of hands.

DOs

- ✔ Use a #2 Phillips head screwdriver (or other handheld tools as indicated)
- ✔ Wear safety glasses at all times during assembly
- ✔ Carefully follow the instructions in this guide and complete all steps in order
- ✔ Give us a call if you're having trouble with a particularly tricky step

DON'Ts

- ✘ We know power tools are quick and easy, but you shouldn't use them when assembling this product (unless otherwise specified)
- ✘ Never move your furniture with items inside or resting on the surface
- ✘ Do not attempt to use this product before all steps have been completed



Watch assembly videos right on your phone or computer!



Some steps include QR codes that link to helpful videos. Watch out for the icon below! Simply open up your smartphone camera to scan the code.

(Users of older smartphones may need to install a QR Reader.)

SCAN HERE



FOR VIDEOS

Or visit <https://www.bushbusinessfurniture.com/CustomerService/HowtoAssemble.aspx>

IMPORTANT SAFETY INFORMATION



PLEASE READ WARNINGS

Improper use can cause safety hazards, or damage to your furniture and household items.

Warning	Do	Don't	Why it's important
Serious injury may occur.	<ul style="list-style-type: none">Assemble following all instructions using all indicated parts and hardware provided.Install every indicated nail and/or screw.Verify furniture is stable on it's own.Place heaviest items in the lower drawers.Always load the bottom drawer first.	<ul style="list-style-type: none">Do not move unit when loaded.Do not load with a television or other heavy equipment.Never exceed the maximum load limits stated in the instructions.	Improper assembly, use or loading can lead to product instability, tip-over or collapse.

Caution	Do	Don't	Why it's important
Injury may occur.	<ul style="list-style-type: none">Unload unit prior to moving starting with top drawer first.	<ul style="list-style-type: none">Do not move unit when loaded.	Loaded units are heavy and are not designed to be moved when loaded.

IMPORTANT SAFETY INFORMATION



PLEASE READ WARNINGS

Improper use can cause safety hazards, or damage to your furniture and household items.

Advertencia	Hacer	No	Por qué es importante
Se pueden producir lesiones graves.	<ul style="list-style-type: none">• Ensamble siguiendo todas las instrucciones utilizando todas las piezas y ferretería indicados provistos.• Instale todos los clavos y / o tornillos indicados.• Verifique que los muebles sean estables por sí mismos.• Coloque los artículos más pesados en los cajones inferiores.• Siempre cargue primero el cajón inferior.	<ul style="list-style-type: none">• No cargue con un televisor u otro equipo pesado.• No exceda los límites máximos de carga establecidos en las instrucciones.• No permita que los niños se paren, trepen o cuelguen de muebles.	El ensamblaje, uso o carga inadecuados pueden provocar inestabilidad del producto, vuelco o colapso.

Atención	Hacer	No	Por qué es importante
Se pueden producir lesiones.	<ul style="list-style-type: none">• Descargue la unidad antes de moverla, comenzando primero con el cajón superior.	<ul style="list-style-type: none">• No mueva la unidad cuando esté cargada.	Las unidades cargadas son pesadas y no están diseñadas para moverse cuando están cargadas.

IMPORTANT SAFETY INFORMATION

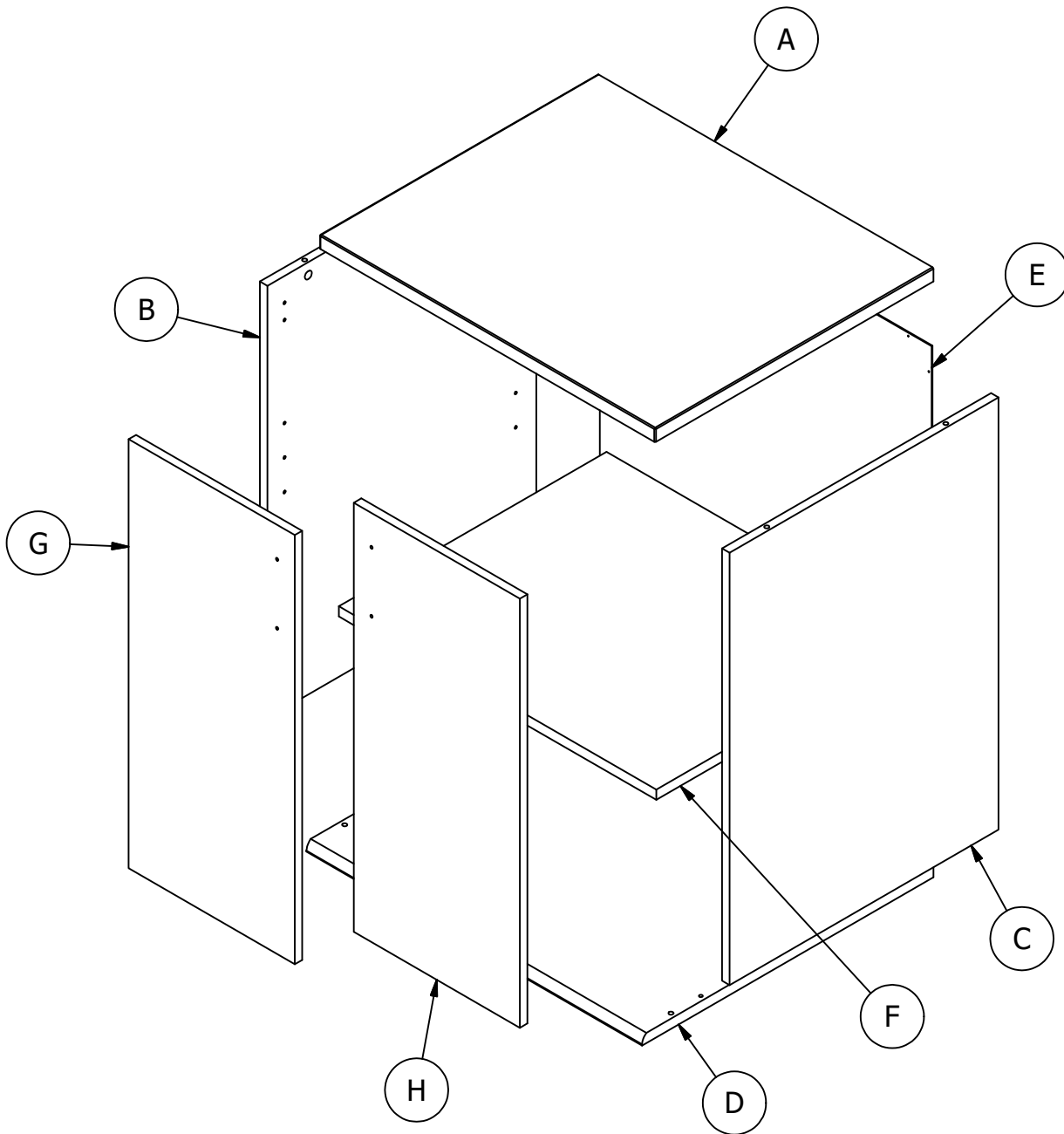
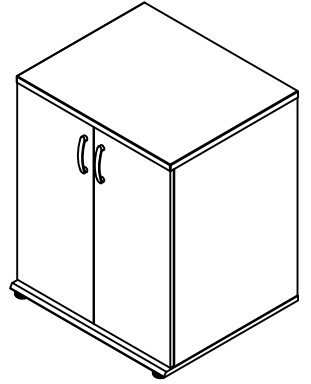


PLEASE READ WARNINGS

Improper use can cause safety hazards, or damage to your furniture and household items.


Avertissement	Faire	Ne le fais pas	Pourquoi c'est important
Des blessures graves peuvent survenir.	<ul style="list-style-type: none">Assemblez en suivant toutes les instructions en utilisant toutes les pièces et le matériel indiqués fournis.Installez tous les clous et / ou vis indiqués.Vérifiez que les meubles sont stables par eux-mêmes.Placez les objets les plus lourds dans les tiroirs inférieurs.Chargez toujours le tiroir inférieur en premier."	<ul style="list-style-type: none">Ne chargez pas avec un téléviseur ou un autre équipement lourd.Ne dépassez pas les limites de charge maximale indiquées dans les instructions.Ne laissez pas les enfants se tenir debout, grimper ou s'accrocher aux meubles.	Un assemblage, une utilisation ou un chargement incorrects peuvent entraîner une instabilité du produit, un renversement ou un effondrement.

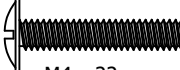
Attention	Faire	Ne le fais pas	Pourquoi c'est important
Des blessures peuvent survenir.	<ul style="list-style-type: none">Déchargez l'unité avant de déplacer en commençant par le tiroir supérieur en premier.	<ul style="list-style-type: none">Ne déplacez pas l'unité lorsqu'elle est chargée.	Les unités chargées sont lourdes et ne sont pas conçues pour être déplacées lorsqu'elles sont chargées.

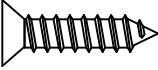



Have an assembly question or need a replacement part? Just call
1-800-950-4782, we are here to help.

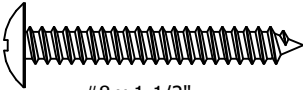
Fasteners are shown actual size.

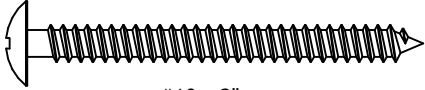
H28917  [8]
#6 x 1/2" Silver

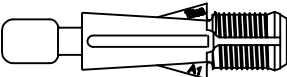
H83027  [4]
(Silver) M4 x 22mm


H92810  [8]
#10 x 3/4"

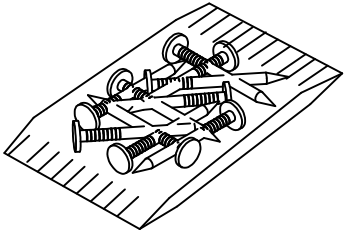
H23491  [4]
(Black) #10 x 2"

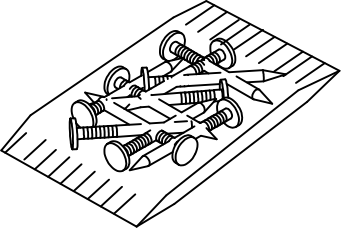
H107572  [1]
#8 x 1-1/2"

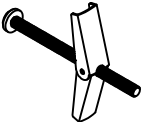
H181434  [1]
#10 x 2"


H171556  [4]
Quickfit TL4


H181468US  [4]
KD Cam3000

Q75494  [1]
Nail Bag (10)

Q85389  [1]
Nail Bag (20)

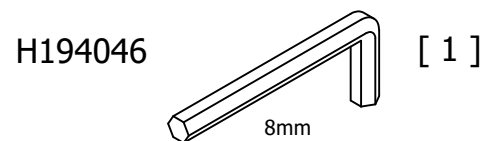
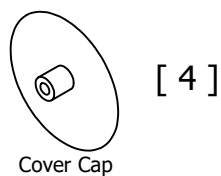
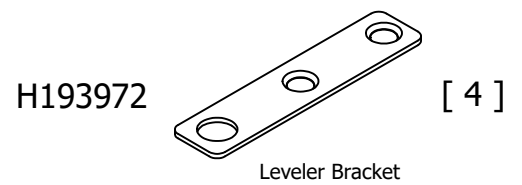
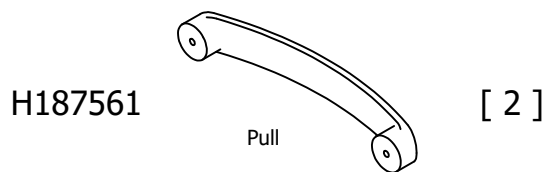
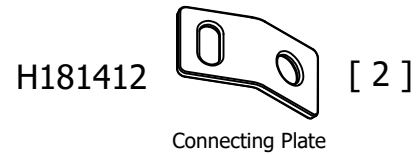
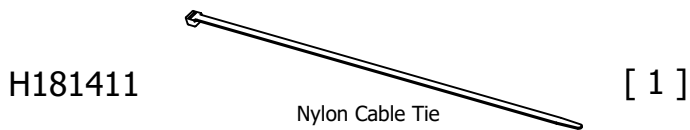
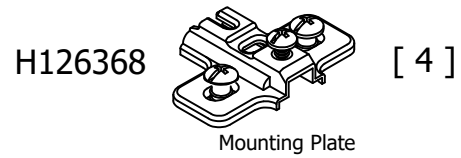
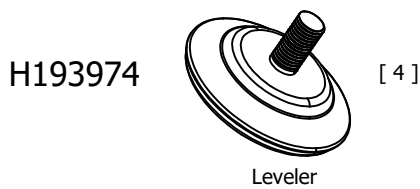
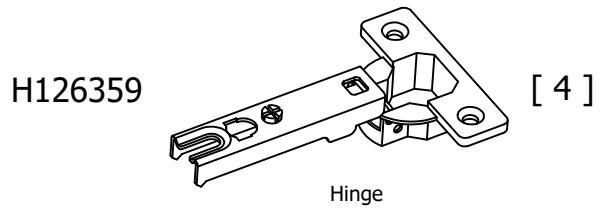
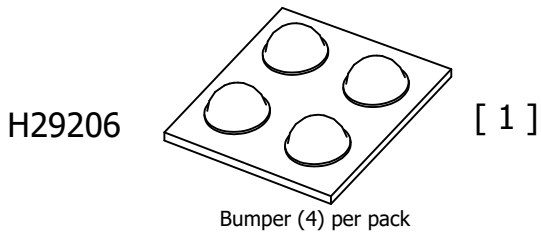
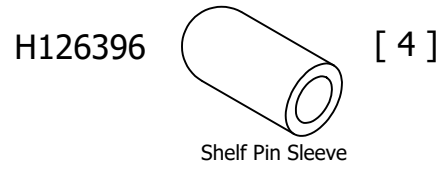
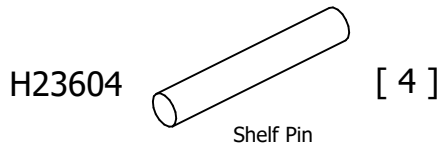
H181419  [1]
Toggle Bolt

H38169  [4]
Wood Dowel 8 x 30

H193973  [4]
Caster Insert

Have an assembly question or need a replacement part? Just call
1-800-950-4782, we are here to help.

Hardware not to scale.




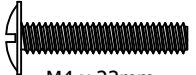
Have an assembly question or need a replacement part? Just call
1-800-950-4782, we are here to help.

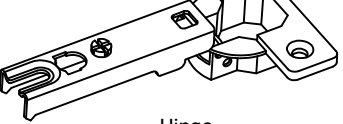
STEP 1

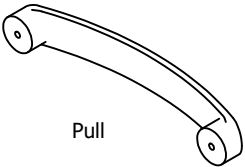
Prepare Doors

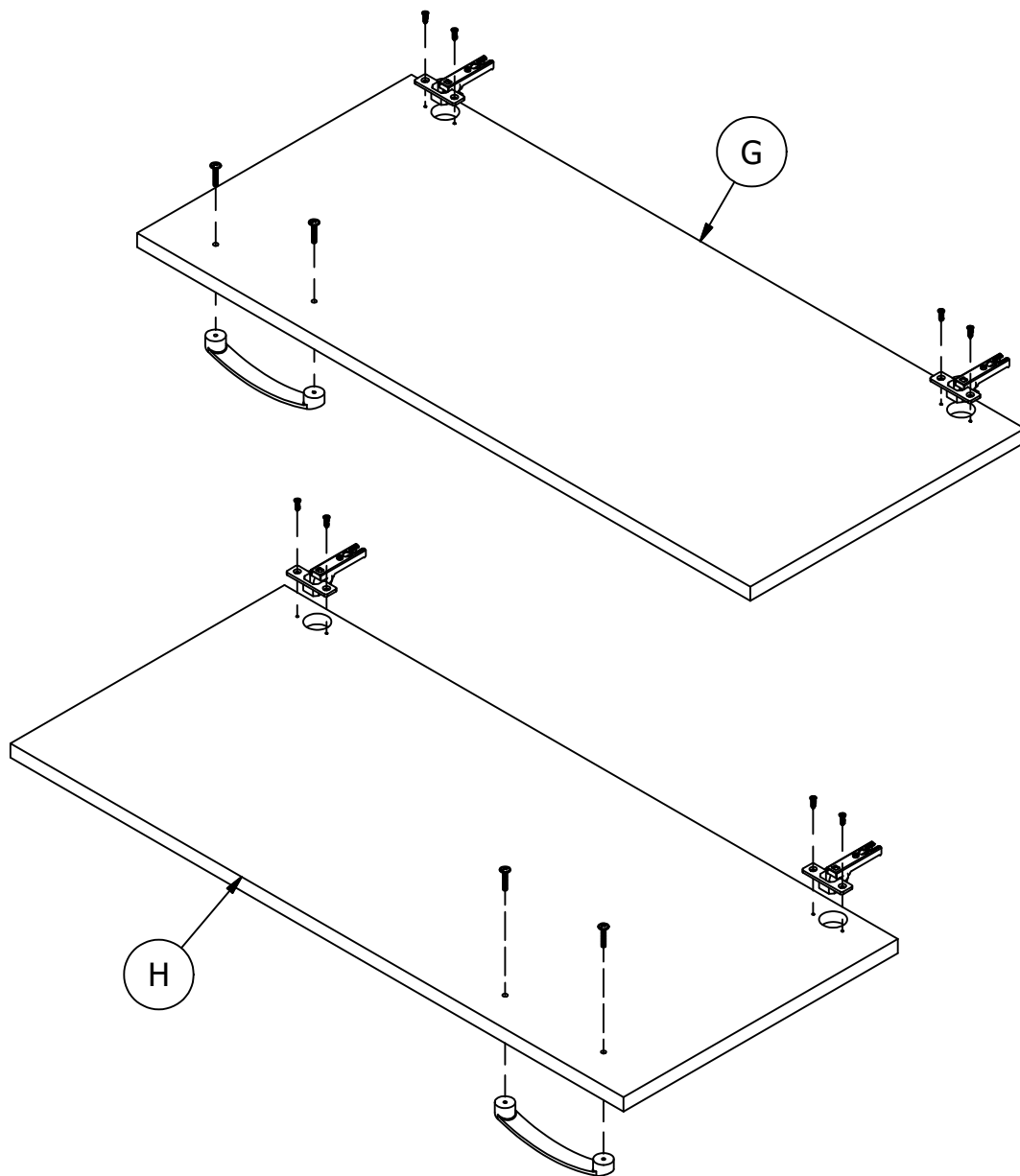
A195528

H28917  [8]
#6 x 1/2" Silver

H83027  [4]
(Silver) M4 x 22mm

H126359  [4]
Hinge

H187561  [2]
Pull



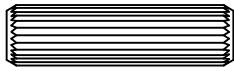
Have an assembly question or need a replacement part? Just call
1-800-950-4782, we are here to help.

STEP 2

Prepare Panel

A195528

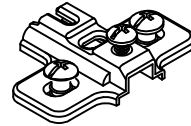
H38169



[2]

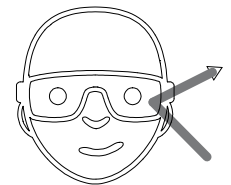
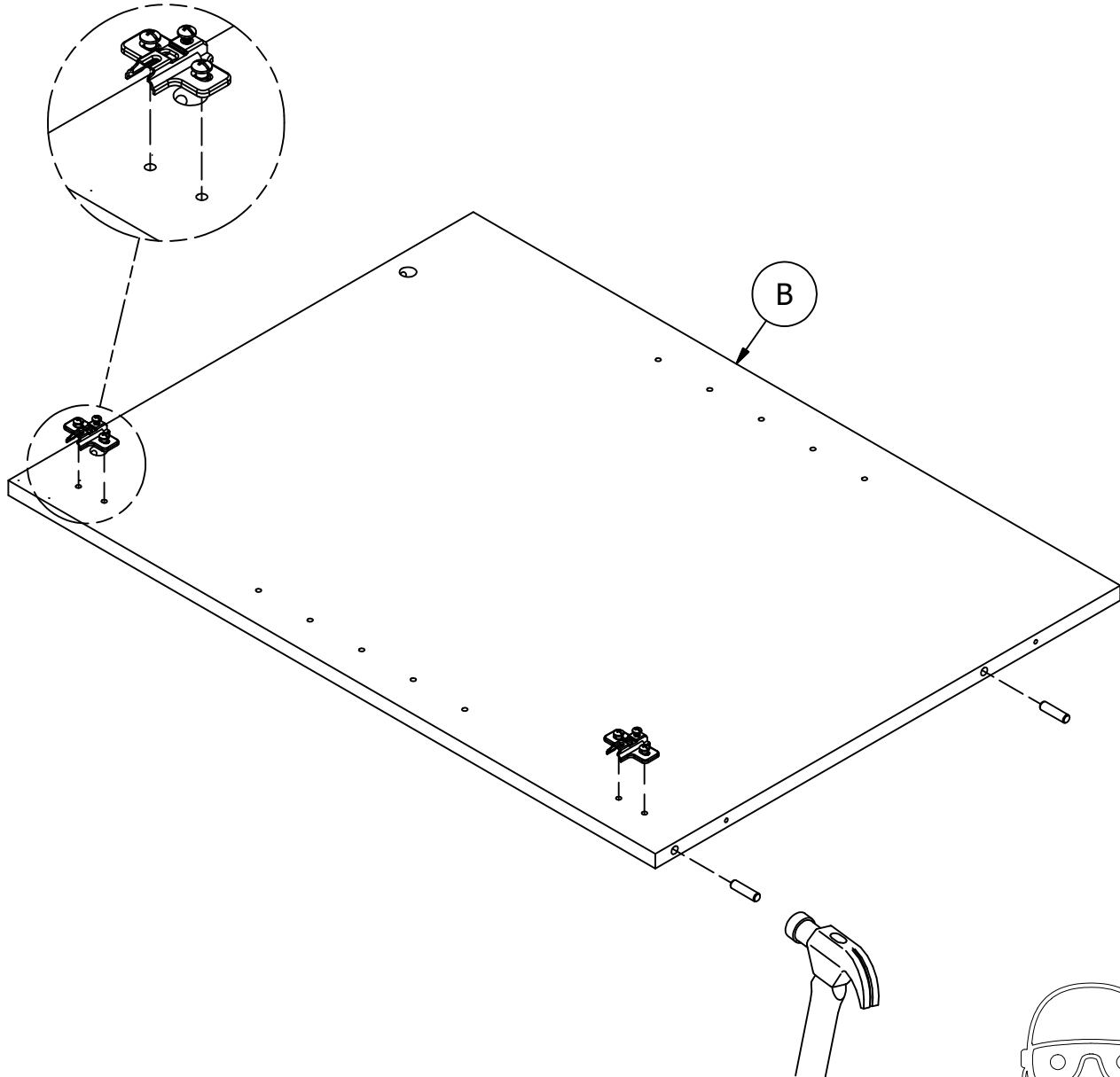
Wood Dowel 8 x 30

H126368



[2]

Mounting Plate



Safety glasses
Gafas de seguridad
Lunettes de protection

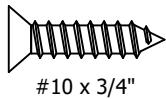
Have an assembly question or need a replacement part? Just call
1-800-950-4782, we are here to help.

STEP 3

Prepare Panel

A195528

H92810



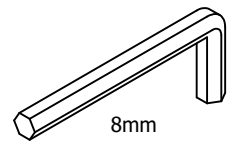
[8]

H193973



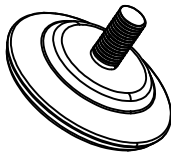
[4]

H194046



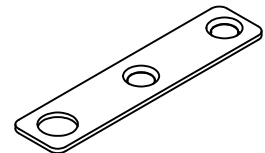
[1]

H193974

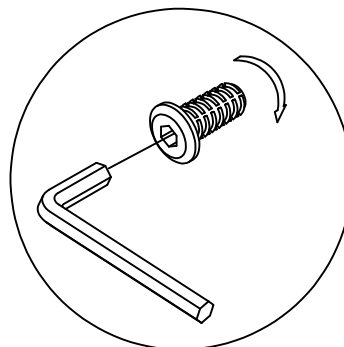
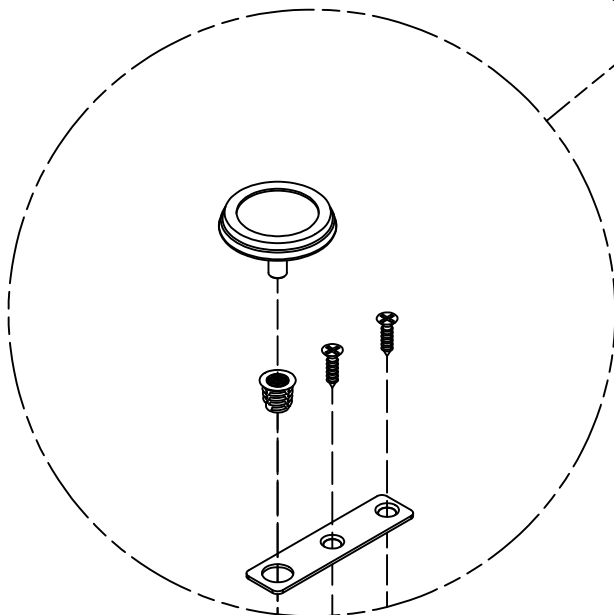
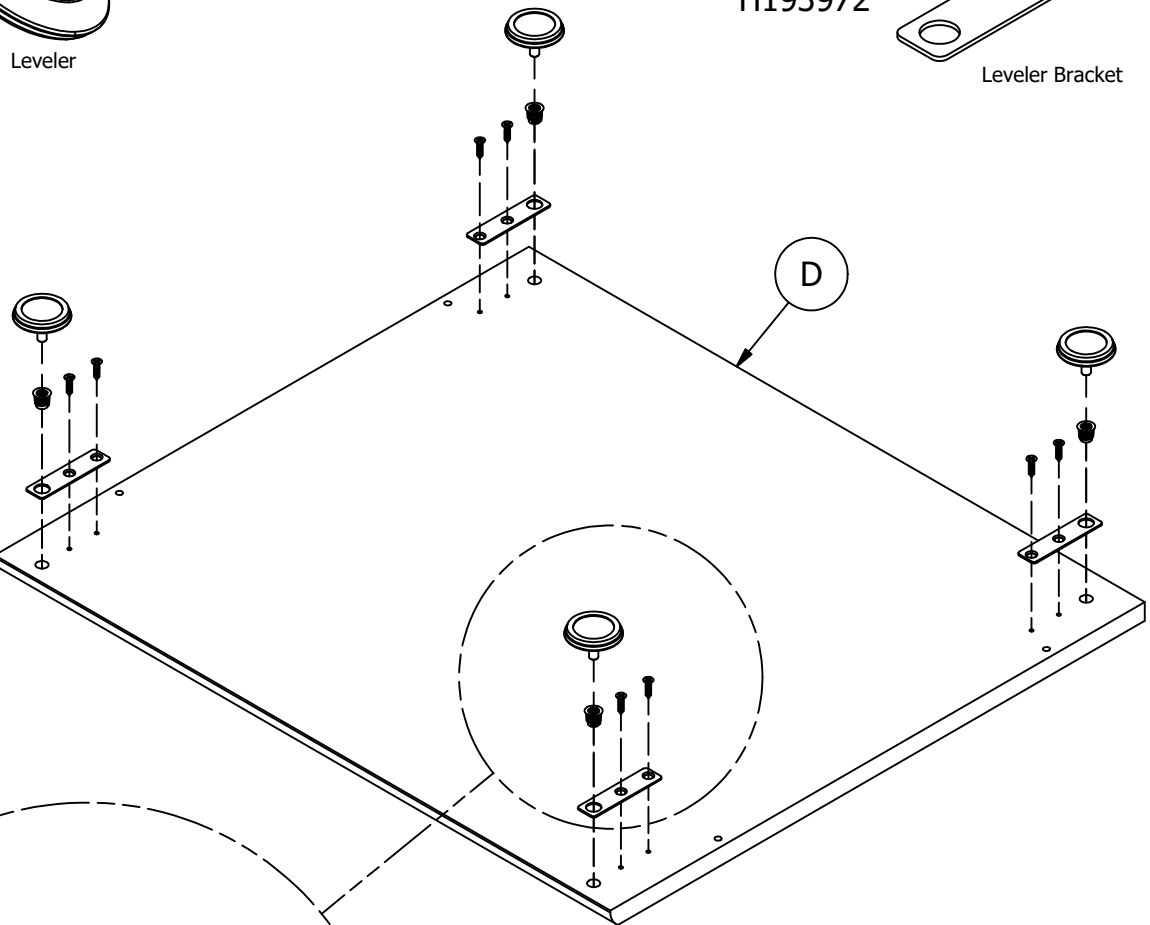


[4]

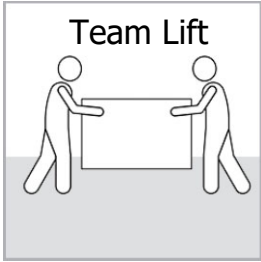
H193972



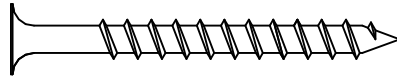
[4]



Have an assembly question or need a replacement part? Just call **1-800-950-4782**, we are here to help.

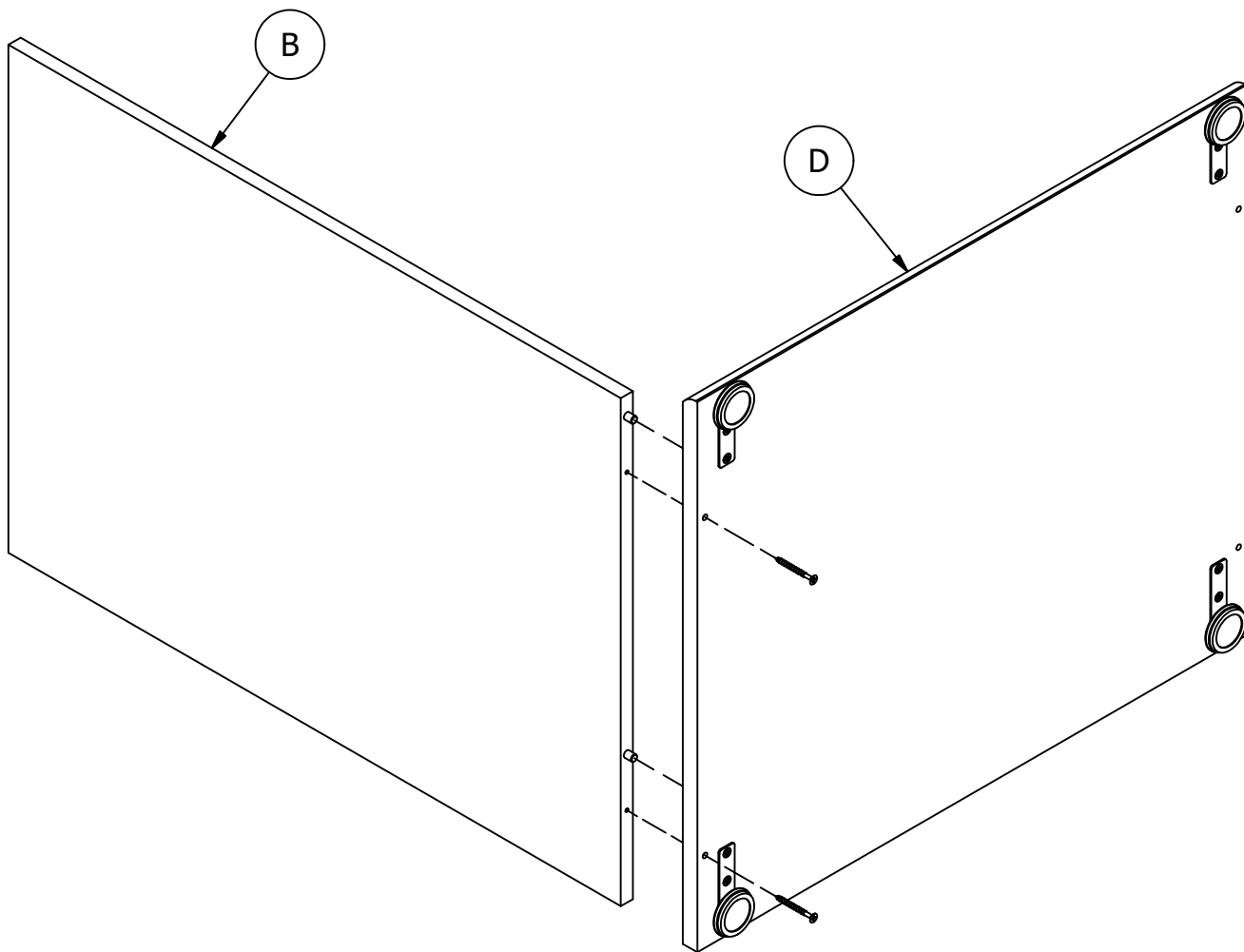


H23491
(Black)



[2]

#10 x 2"



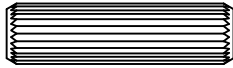
Have an assembly question or need a replacement part? Just call
1-800-950-4782, we are here to help.

STEP 5

Prepare Panel

A195528

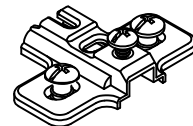
H38169



[2]

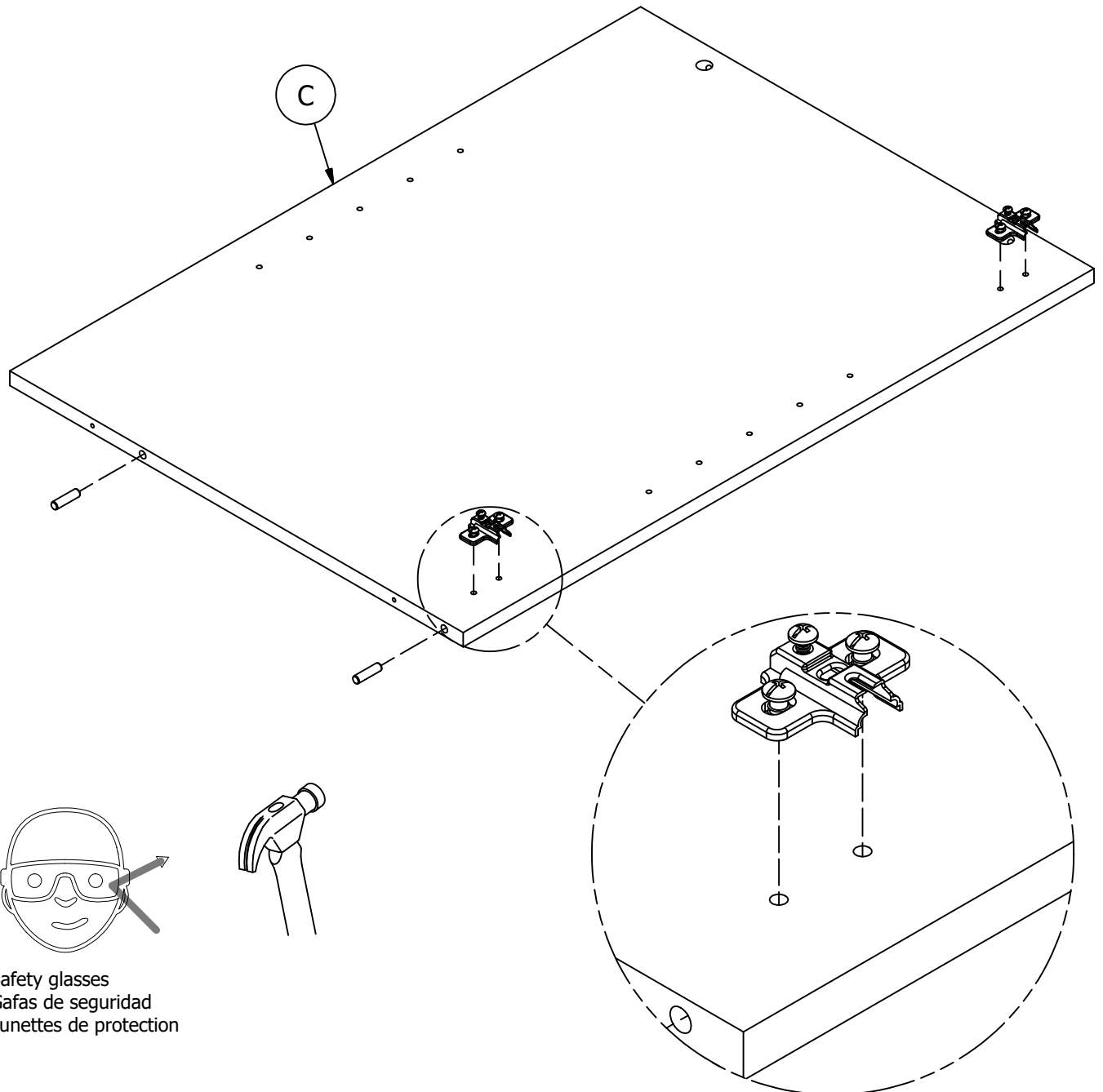
Wood Dowel 8 x 30

H126368



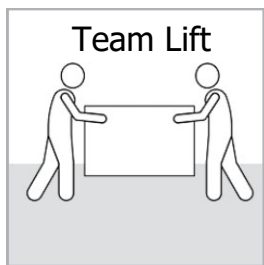
[2]

Mounting Plate

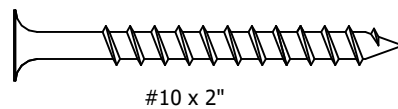


Safety glasses
Gafas de seguridad
Lunettes de protection

Have an assembly question or need a replacement part? Just call
1-800-950-4782, we are here to help.

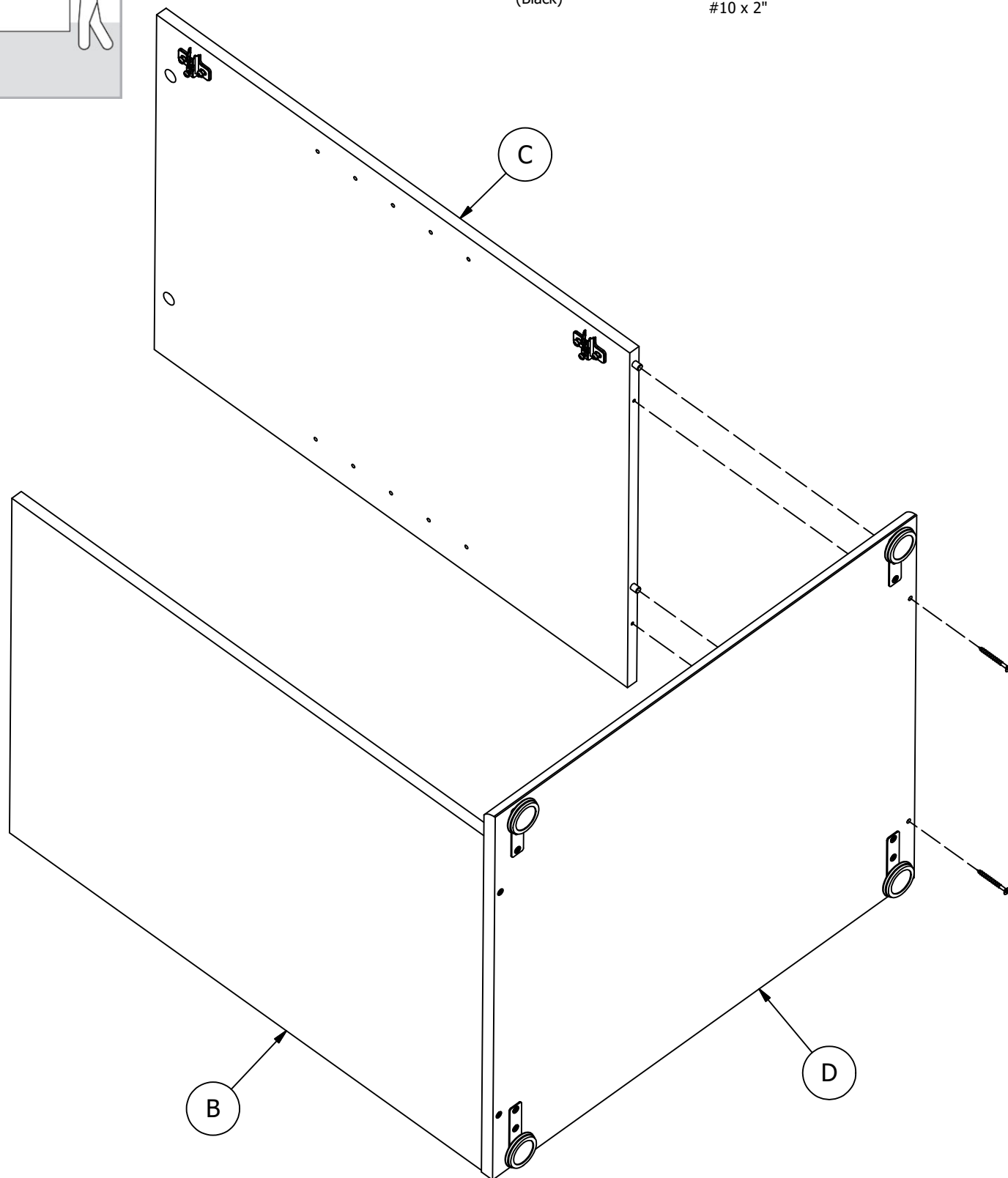


H23491
(Black)



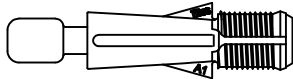
[2]

#10 x 2"



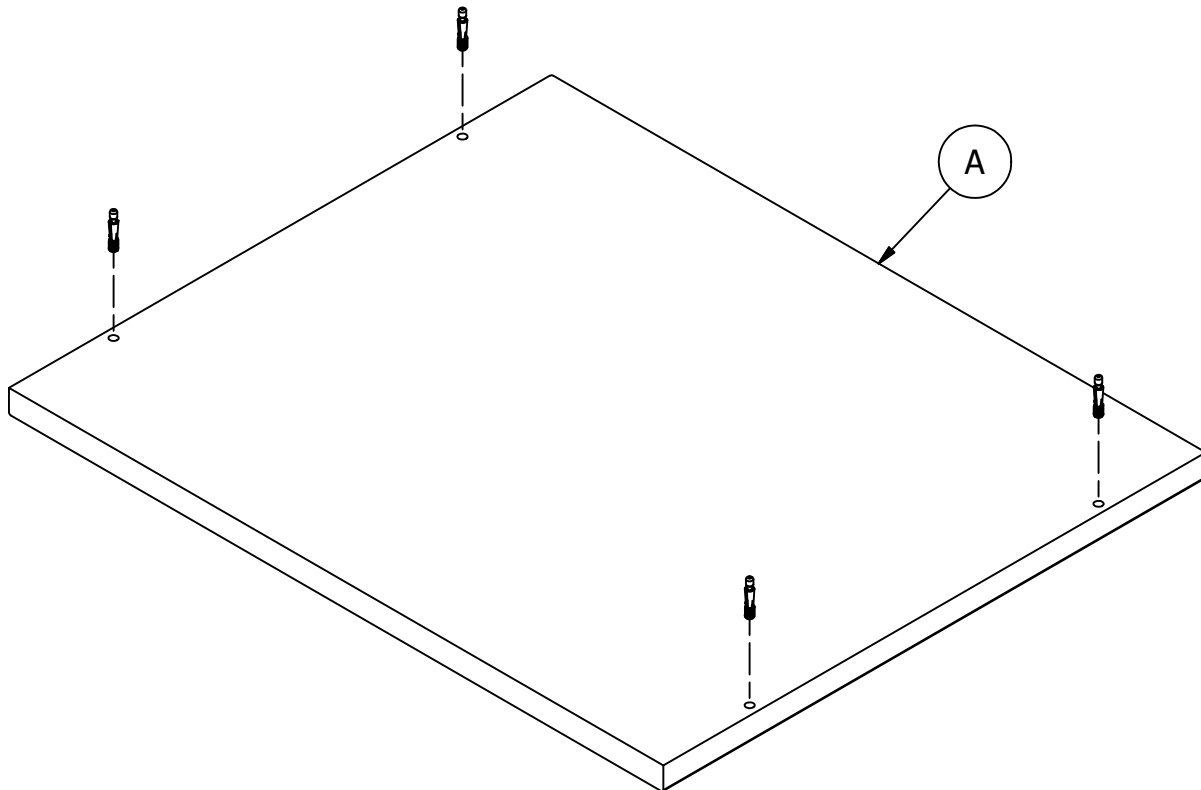
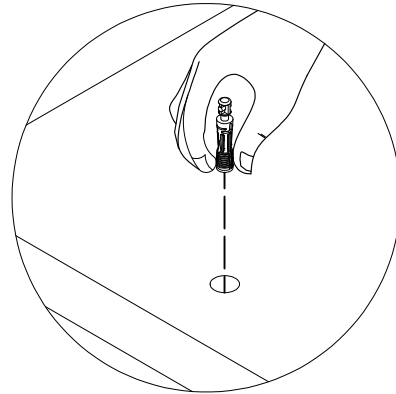
Have an assembly question or need a replacement part? Just call
1-800-950-4782, we are here to help.

H171556



[4]

Quickfit TL4



Have an assembly question or need a replacement part? Just call **1-800-950-4782**, we are here to help.

STEP 8

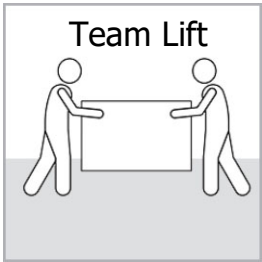
Assemble Panels

A195528

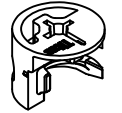
Scan QR Code to Watch Video on:



How to Tighten KD Cams

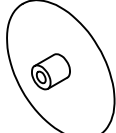


H181468US



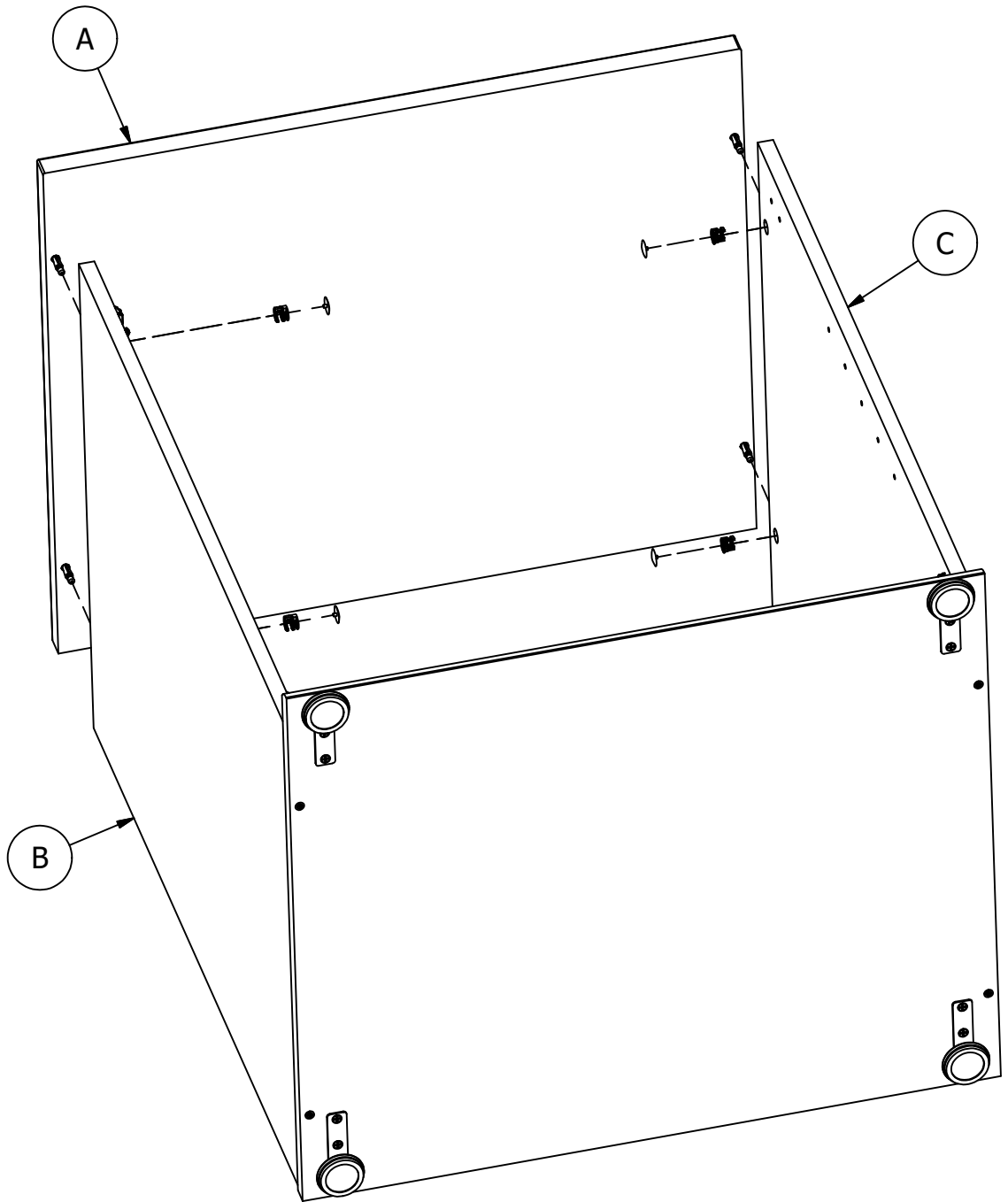
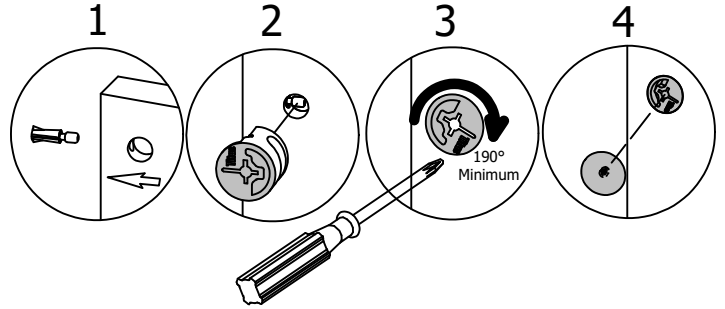
[4]

KD Cam3000



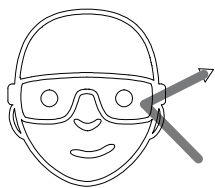
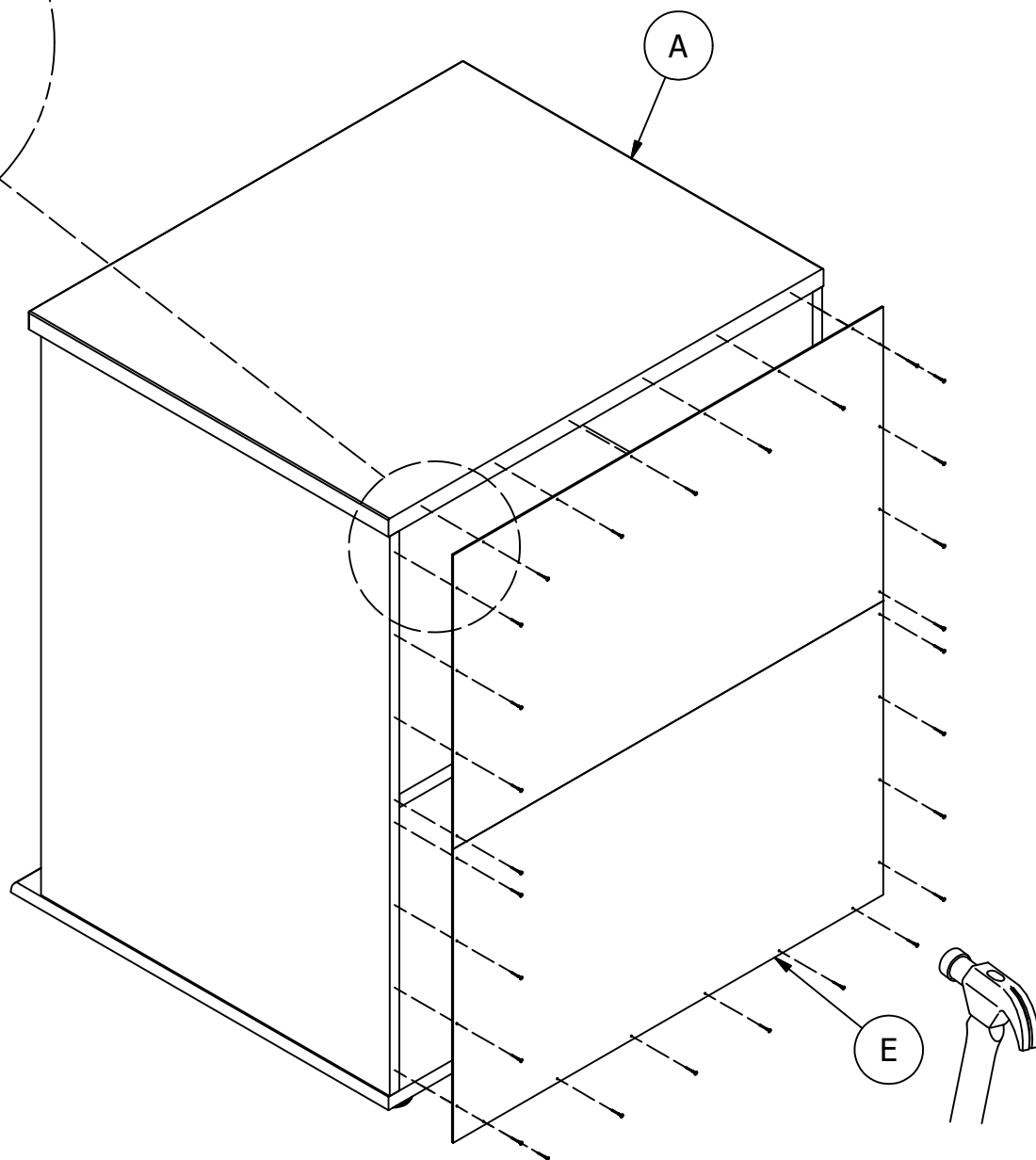
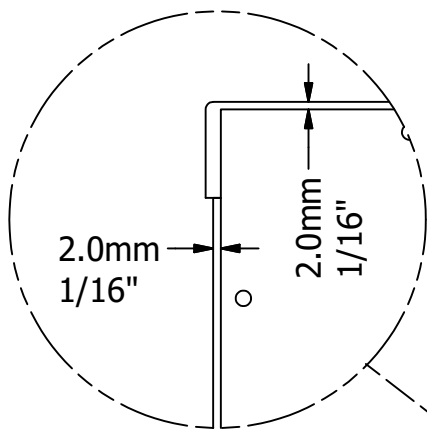
[4]

Cover Cap



Have an assembly question or need a replacement part? Just call **1-800-950-4782**, we are here to help.

H34174  [28]
Nail 19mm



Safety glasses
Gafas de seguridad
Lunettes de protection

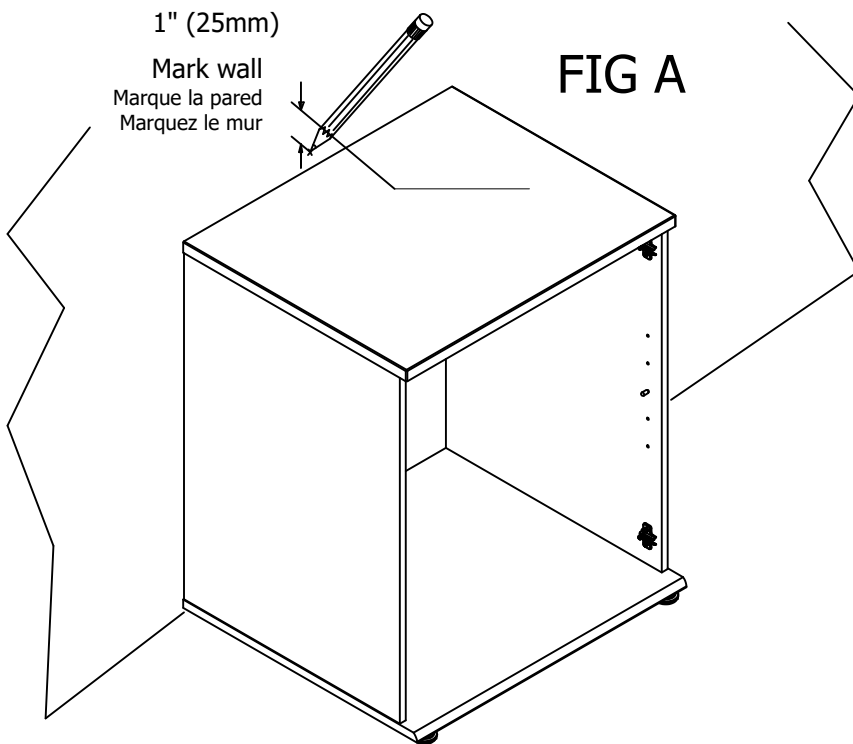
Have an assembly question or need a replacement part? Just call
1-800-950-4782, we are here to help.

Secure unit to the wall with a tip-over restraint.
 Unidad de seguro a la pared con un sistema de retención de un vuelco.
 Fixer l'unité au mur avec un dispositif de retenue renversement.

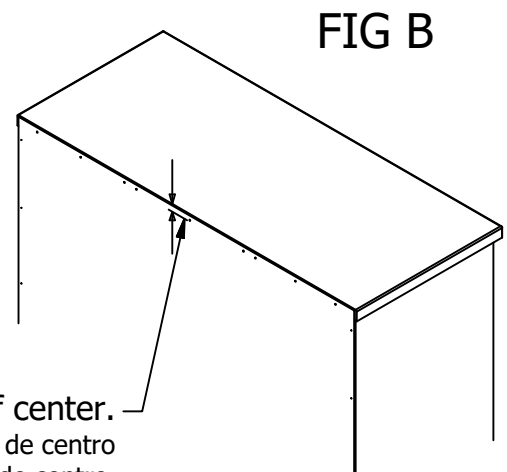
1. Place unit in desired location.
2. Locate wall stud nearest unit center. **FIG A**
3. On wall, mark center of stud location 1" below top of unit. **FIG A**
4. If a wall stud cannot be located mark hollow wall at unit center. **FIG A**
5. On back of unit, mark corresponding location 3/8" below top of unit. **FIG B**

1. Coloque la unidad en el lugar deseado.
2. Localice pie derecho de pared centro de unidad más próxima.
3. En la pared del, marque el centro de la ubicación del montante 1 "abajo la parte superior de la unidad.
4. Si un poste de la pared no se puede localizar marcar pared hueca en el centro de la unidad.
5. En el dorso de la unidad, marque la ubicación 3/8 correspondiente abajo la parte superior de la unidad.

1. Placez l'unité à l'endroit désiré.
2. Localiser centre d'unité la plus proche de la paroi Stud.
3. Sur le mur, centre de emplacement du montant 1 "ci-dessous dessus de l'appareil de la marque.
4. Si un montant de mur ne peut pas être situé marquer mur creux au centre de l'unité.
5. Le dos de l'appareil, marquer l'emplacement 3/8 correspondant ci-dessous dessus de l'appareil.

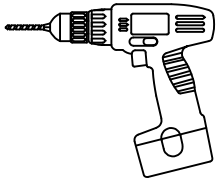


Mark back within 6" (150mm) of center.
 Marcar de vuelta dentro de 6" (150mm) de centro
 Mark dans les 6" (150mm) de centre.

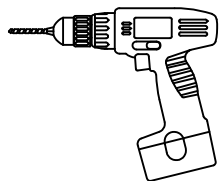
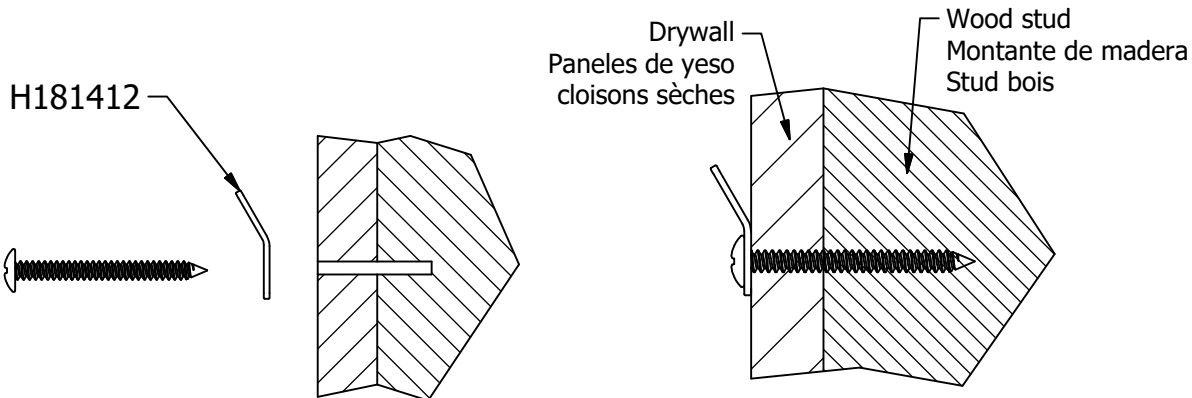
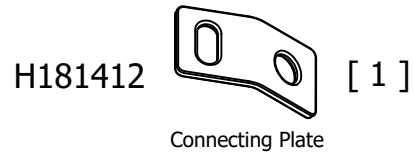
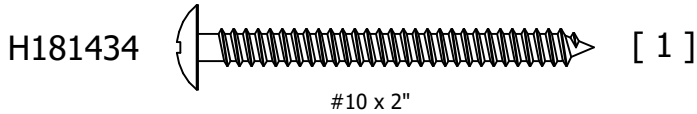


Have an assembly question or need a replacement part? Just call
1-800-950-4782, we are here to help.

WALL STUD ATTACHMENT

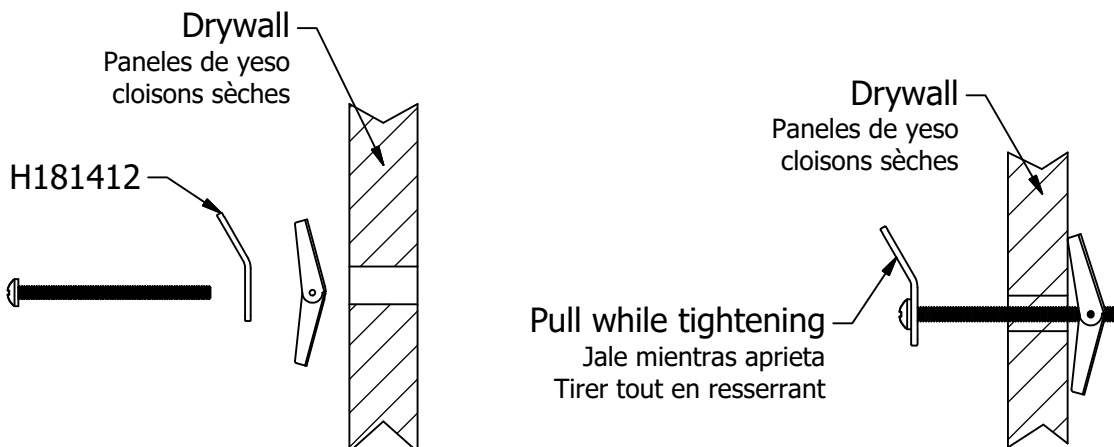
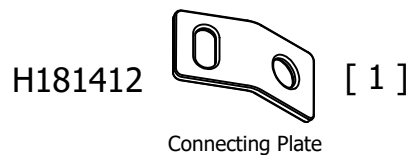
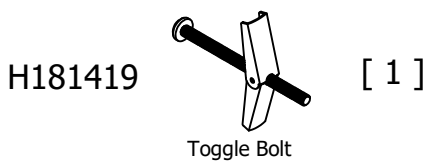


Drill 1/8" hole 2" deep at mark on wall.
 Taladro 1/8 "agujero 2" de profundidad en la marca en la pared.
 Percer 1/8 "trou de 2" de profondeur à la marque sur le mur.



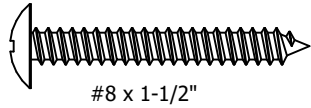
HOLLOW WALL ATTACHMENT

Drill 1/2" hole 1" deep at mark on wall.
 Taladro 1/2 "agujero 1" de profundidad en la marca en la pared.
 Percer 1/2 "trou de 1" de profondeur à la marque sur le mur.



Have an assembly question or need a replacement part? Just call
1-800-950-4782, we are here to help.

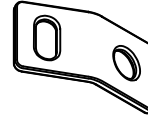
H107572



[1]

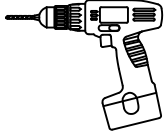
#8 x 1-1/2"

H181412

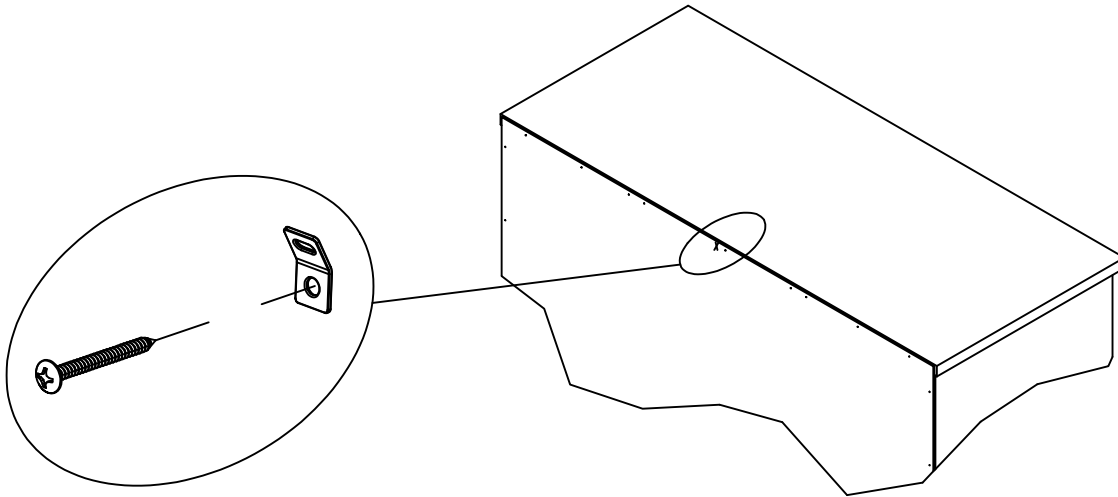


[1]

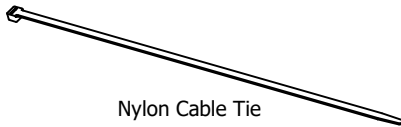
Connecting Plate



Drill 1/8" hole 1" deep at mark on unit.
 Taladro 1/8 "agujero de 1" de profundidad en la marca de la unidad.
 Percer 1/8 "trou 1" de profondeur à la marque sur l'unité.

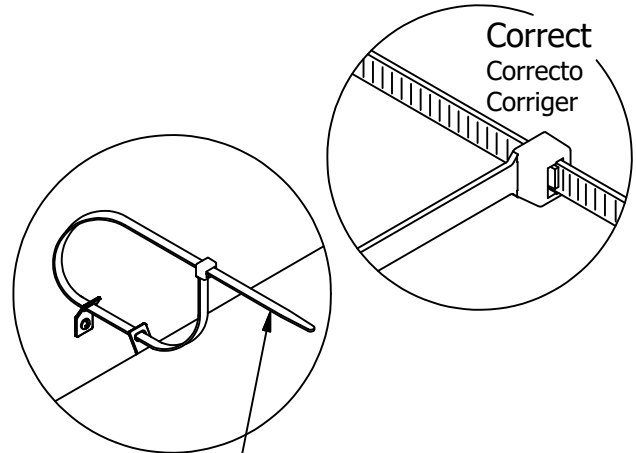
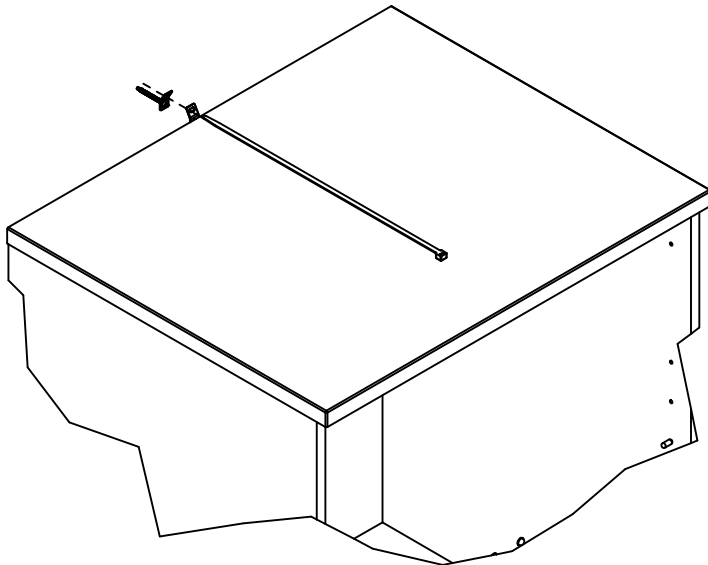


H181411



Nylon Cable Tie

[1]



Pull to verify lock
 Tira para verificar cerradura
 Tirez pour vérifier serrure

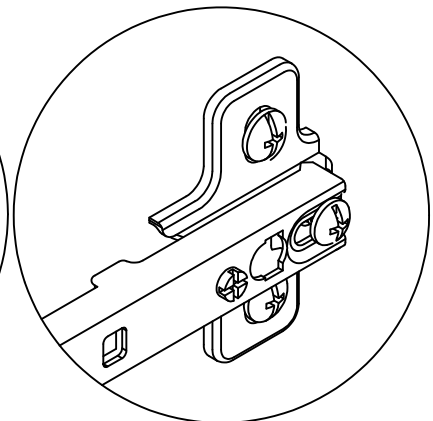
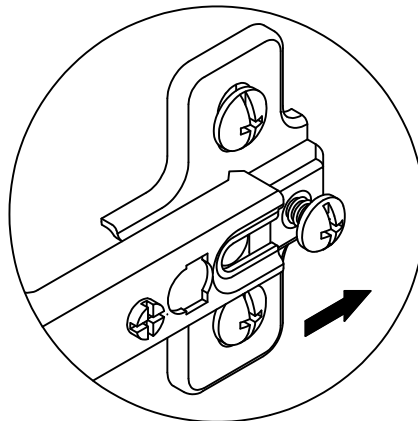
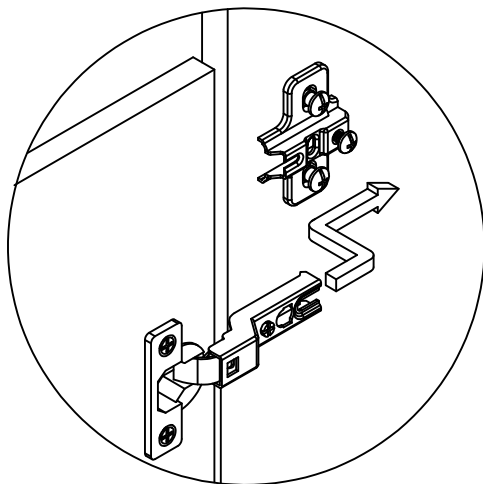
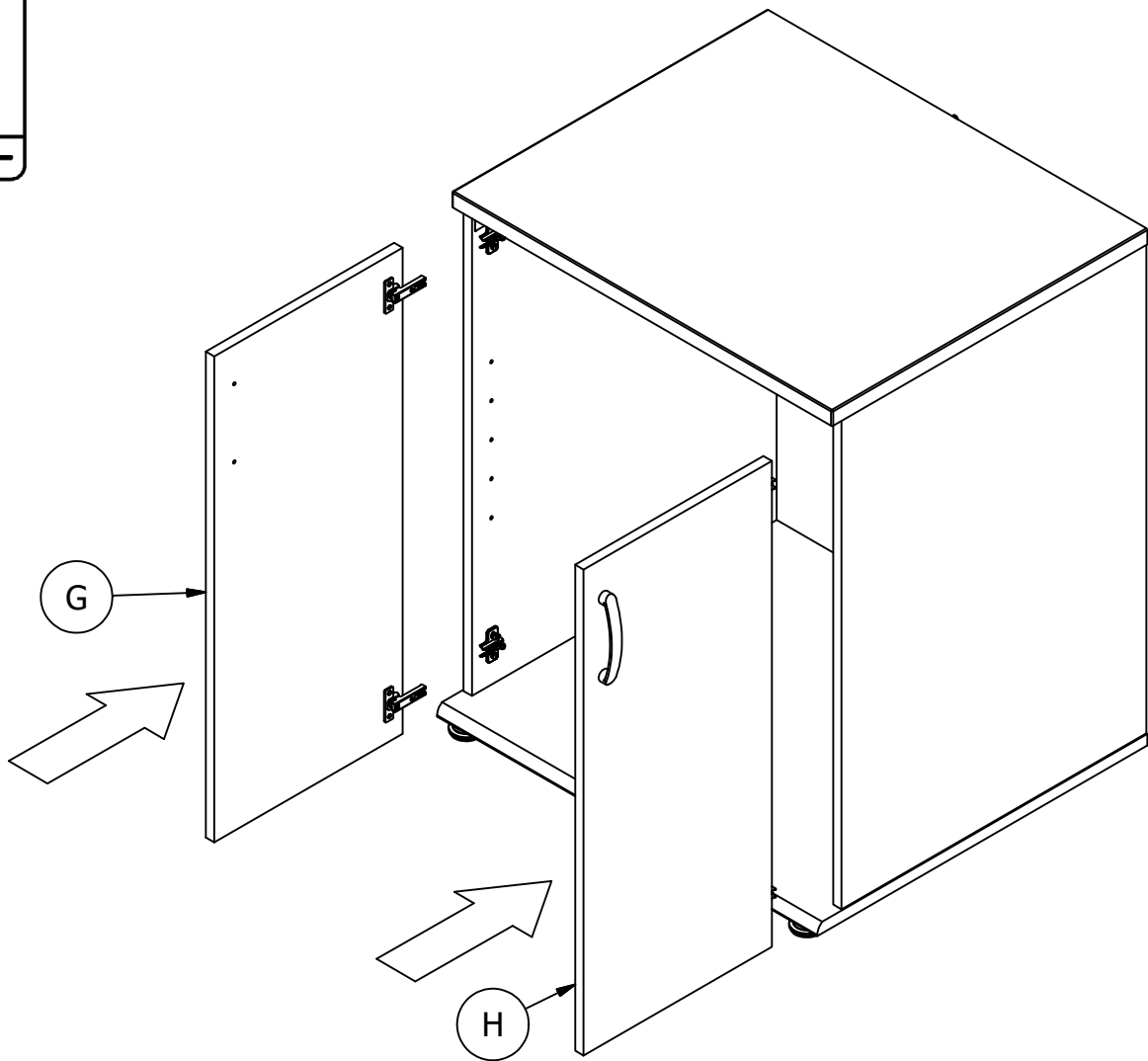
Use replacement cable tie with minimum breaking strength of 120lbs.
 Utilice reemplazo empate Cable con resistencia a la rotura mínima de 120 libras.
 Utilisez remplacement Attache de câble avec une force de rupture minimale de 120 lbs.

Have an assembly question or need a replacement part? Just call
1-800-950-4782, we are here to help.

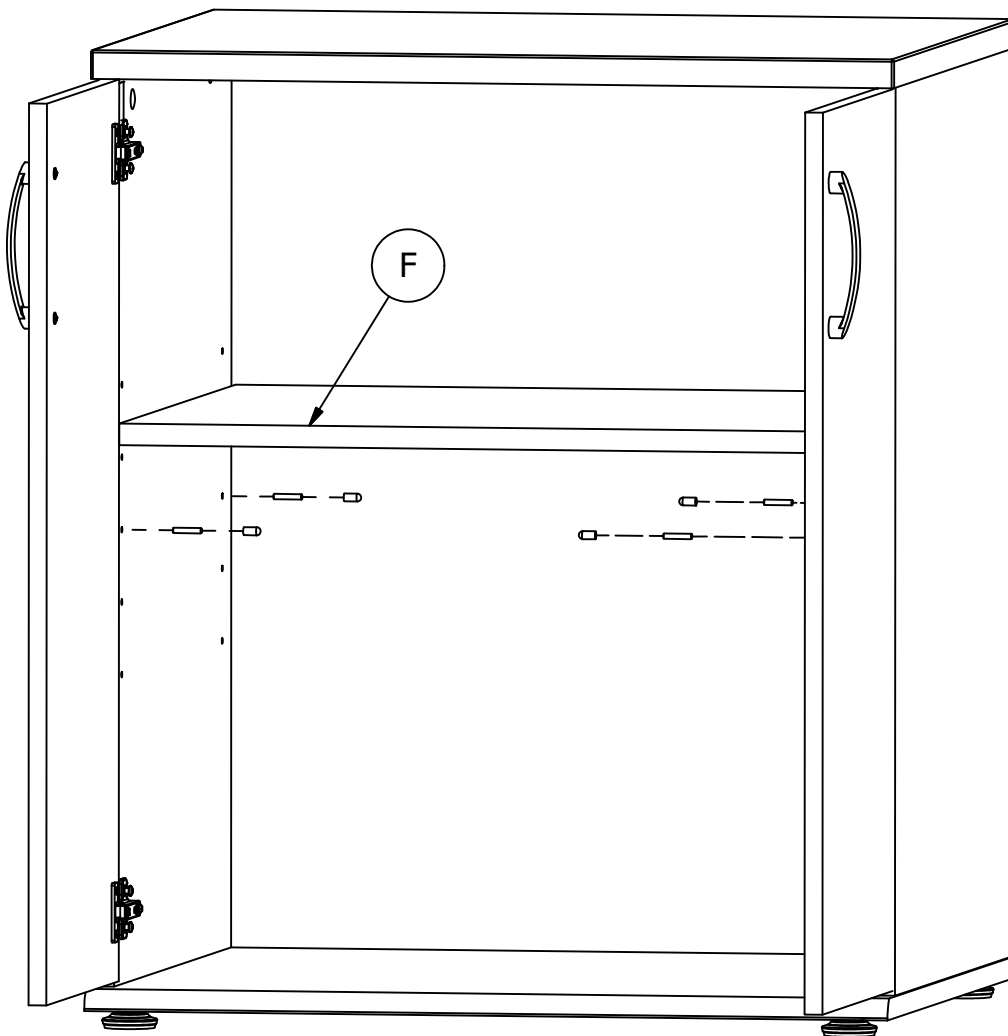
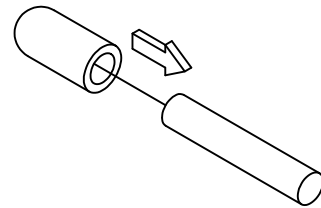
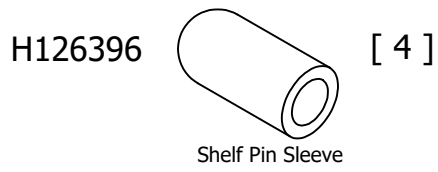
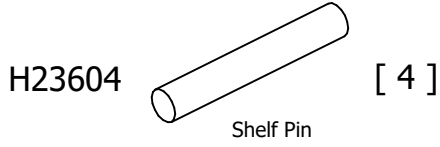
Scan QR Code to
Watch Video on:



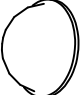
How to Adjust
Door Hinges

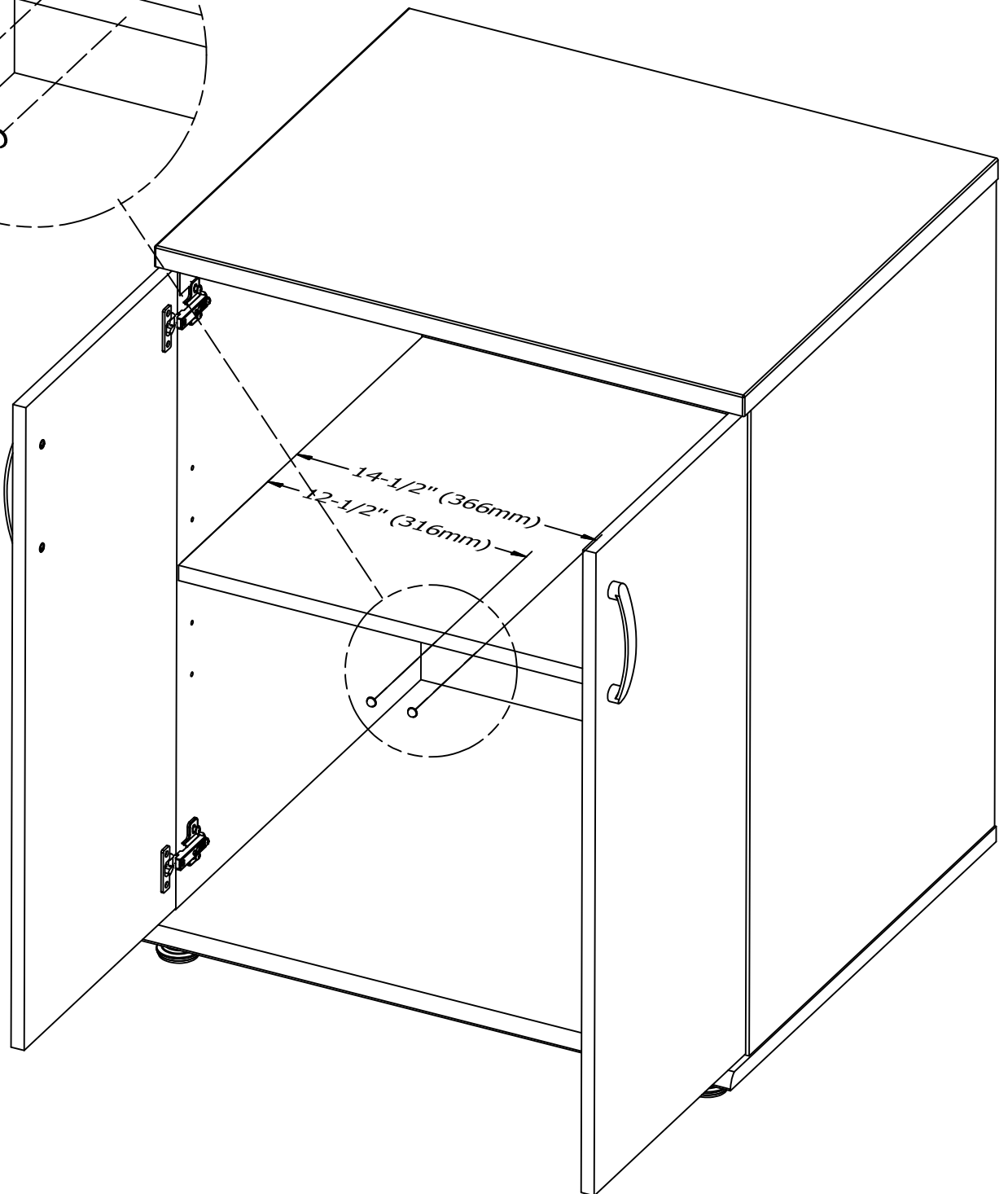
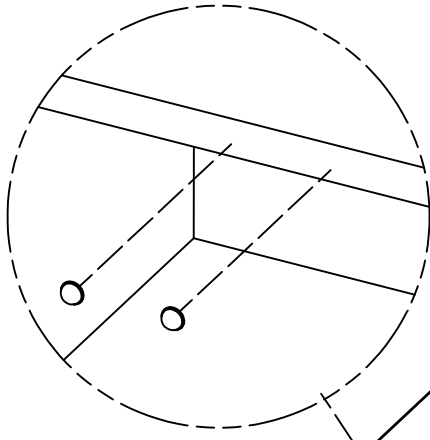


Have an assembly question or need a replacement part? Just call
1-800-950-4782, we are here to help.



Have an assembly question or need a replacement part? Just call **1-800-950-4782**, we are here to help.

H29206  [2]
Bumper



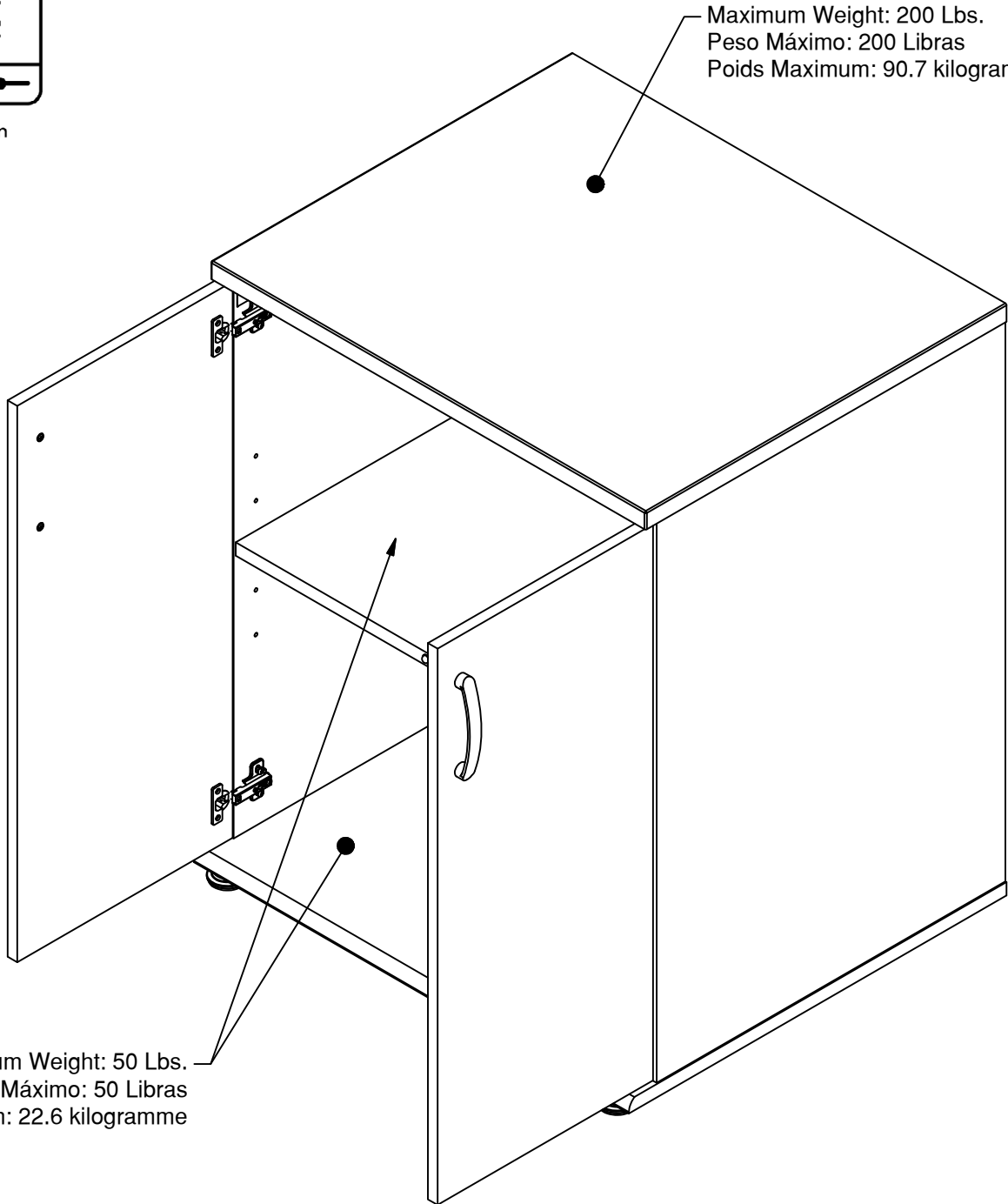
Have an assembly question or need a replacement part? Just call
1-800-950-4782, we are here to help.

Scan QR Code to Watch Video on:



How to Clean the Surface

Gently clean surfaces with a damp sponge eraser.



Maximum Weight: 200 Lbs.
Peso Máximo: 200 Libras
Poids Maximum: 90.7 kilogramme

Maximum Weight: 50 Lbs.
Peso Máximo: 50 Libras
Poids Maximum: 22.6 kilogramme

Congratulations! You are all done. If you have any questions or concerns, please call.

Have an assembly question or need a replacement part? Just call **1-800-950-4782**, we are here to help.

UNS128SG

A [1] W195501
 B [1] W195529
 C [1] W195530
 D [1] W195504
 E [1] W195505
 F [1] W195531
 G [1] W206075
 H [1] W206076

H92521



Cover Cap

[4]

UNS128WH

A [1] W195513
 B [1] W195534
 C [1] W197133
 D [1] W195516
 E [1] W195517
 F [1] W197134
 G [1] W206077
 H [1] W206078

H73619



Cover Cap

[4]

UNS128PG

A [1] W203309
 B [1] W203316
 C [1] W203317
 D [1] W203312
 E [1] W203313
 F [1] W203318
 G [1] W206079
 H [1] W206080

H83021



Cover Cap

[4]