

Justice Design Group

Installation Instructions

Semi-Flush/Pendant

For Model : FAB-9021-CREM-BRSS/FAB-9027-CREM-BRSS

IMPORTANT

- . Justice Design recommends that a licensed electrician install this lighting fixture
- . Installation must comply with all building, safety, and electrical codes and requirements
- . Disconnect power to the junction box prior to installation
- . Do not reconnect power until this fixture is properly installed
- . This fixture is designed to mount to a standard metal 4-0 octagonal junction box

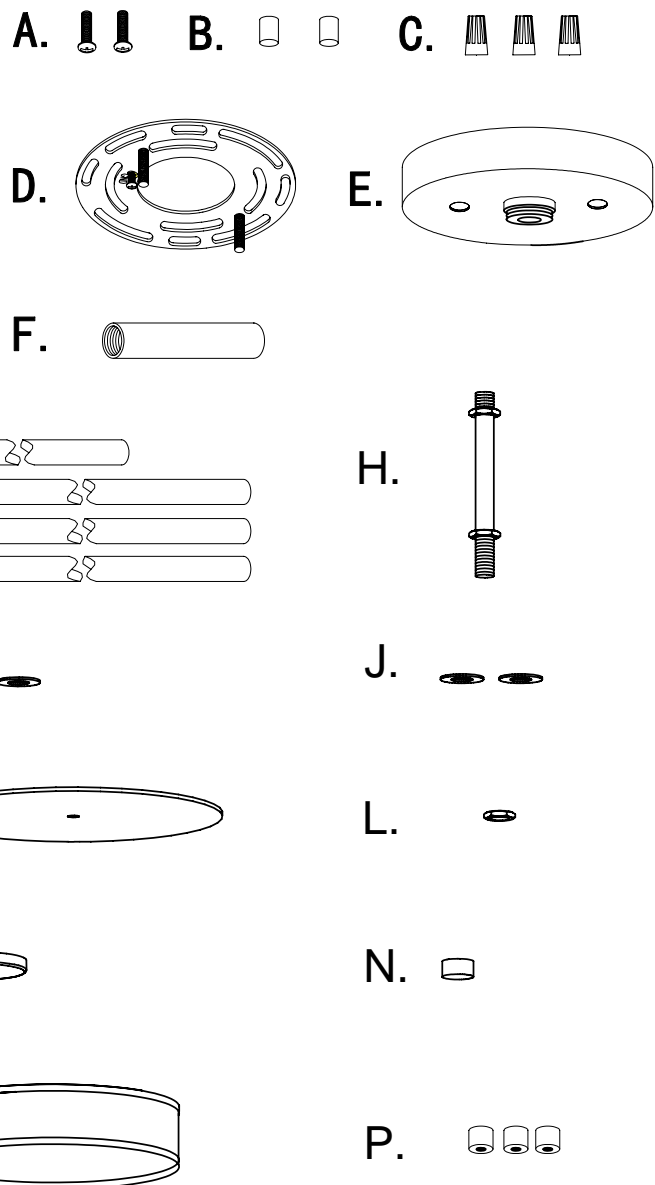


Hardware Pack contains:

- A. (2) Mounting Screws
- B. (2) Finials
- C. (3) Wire Nuts
- D. (1) Mounting Plate

Other parts included in the box:

- E. (1) Canopy
- F. (1) Tube
- G. (4) Stems
- H. (1) Nipple
- I. (2) Steel Washer
- J. (2) Rubber Washer
- K. (1) Acrylic Panel
- L. (1) Hex nut
- M. (1) Cap
- N. (1) Finial
- O. (1) Fabric Shade
- P. (3) Finials



405 E Euclid Ave . Compton, CA 90222

Tel: (213) 437-0102 . Fax:(213) 437-0860 . E-mail:sales@JDG.COM Website: www.JDG.com

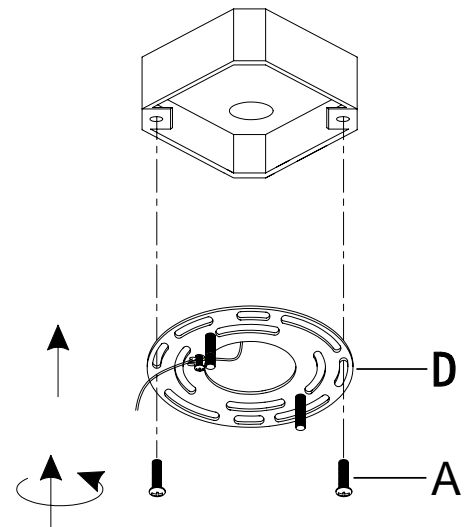
FAB-9021-CREM-BRSS

© 01/13/2026

1

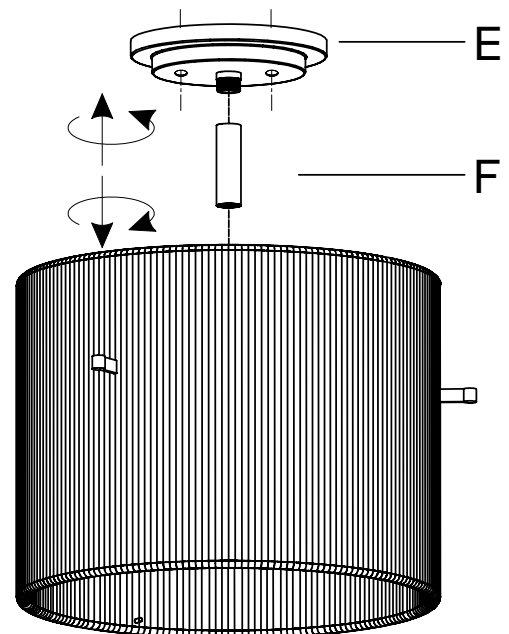
Attach the mounting plate (D) to junction box using mounting screws (A).

Note: The side of the mounting plate marked "GND" must face out. **The junction box is not included.**



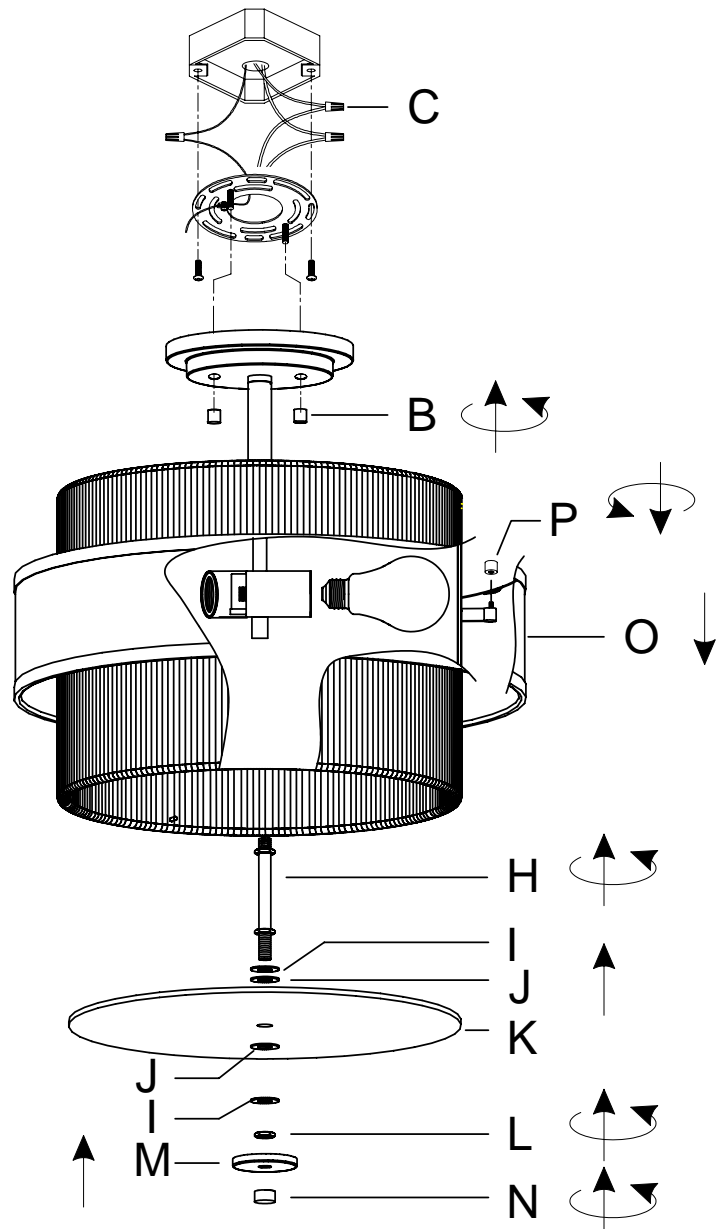
2

1. Feed the lamp holder's electrical wires through tube (F) and canopy (E), connect all the parts together until secure.



3

1. While holding the lamp body towards the ceiling, connect the electrical wires. Observe polarity: black to power, white to neutral, and bare copper wire to green ground. Connect fixture wires to supply wires using wire nuts (C).
2. Tuck wires and wire nuts (C) into junction box. Attach canopy to mounting plate (D) then lock it securely with the finials (B).
3. NOTE: Install bulbs (Not included). Take care never to exceed maximum wattage.
4. Install the nipple (H) onto the coupling, then install the steel washer(I), rubber washer(J), acrylic panel(K),rubber washer(J) and steel washer(I) onto the nipple(H) then lock it securely with the hex nut (L), the cap(M) onto the nipple(H) then securely with the finial(N).
5. Install the fabric shade (O) onto the string shade then lock it securely with the finials (P) .

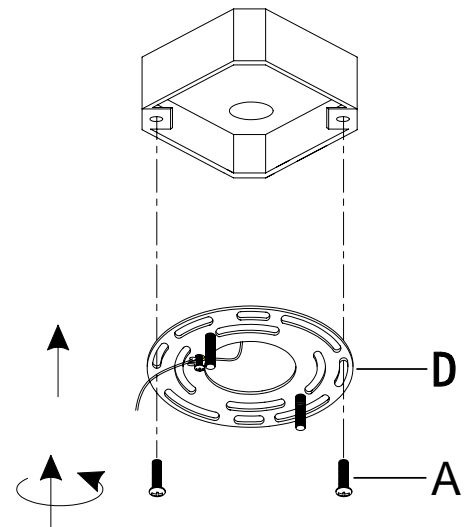


**Your installation is now complete.
Return power to the junction box
and test the fixture.**

1

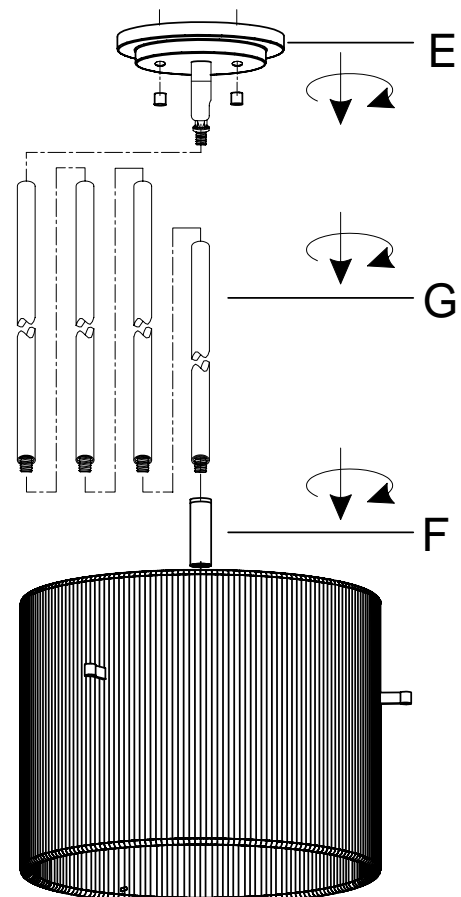
Attach the mounting plate (D) to junction box using mounting screws (A).

Note: The side of the mounting plate marked "GND" must face out. **The junction box is not included.**



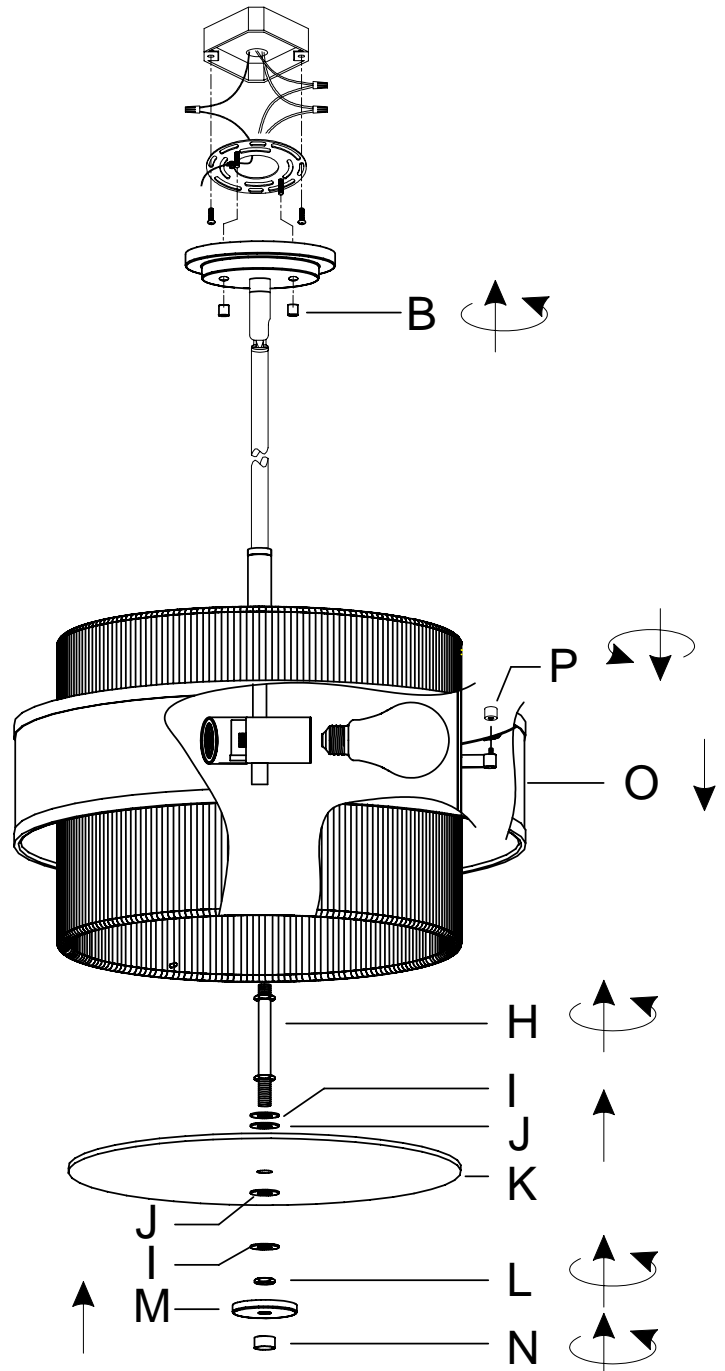
2

1. This lamp includes 4PCS stems ,by measuring, determine the desired hanging height.
2. Feed the lamp holder's electrical wires through tube (F), stems (G) and canopy (E), connect all the parts together until secure.



3

1. While holding the lamp body towards the ceiling, connect the electrical wires. Observe polarity: black to power, white to neutral, and bare copper wire to green ground. Connect fixture wires to supply wires using wire nuts (C).
2. Tuck wires and wire nuts (C) into junction box. Attach canopy to mounting plate (D) then lock it securely with the finials (B).
3. NOTE: Install bulbs (Not included). Take care never to exceed maximum wattage.
4. Install the nipple (H) onto the coupling, then install the steel washer(I) ,rubber washer(J), acrylic panel(K),rubber washer(J) and steel washer(I) onto the nipple(H) then lock it securely with the hex nut (L), the cap(M) onto the nipple(H) then securely with the finial(N).
5. Install the fabric shade (O) onto the string shade then lock it securely with the finials (P) .



**Your installation is now complete.
Return power to the junction box
and test the fixture.**