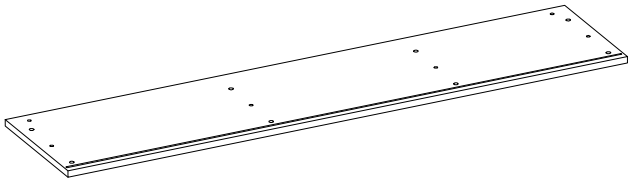


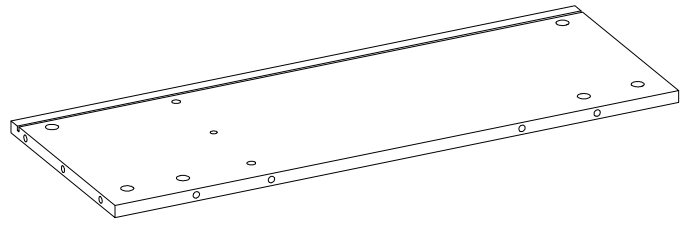
1



1302*300*15mm

1 PC

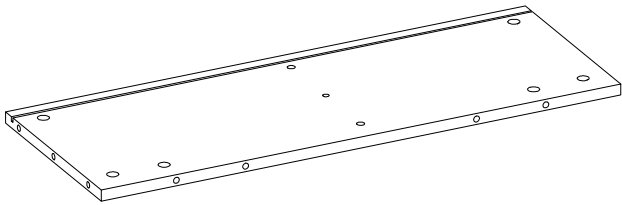
2



720*265*15mm

1 PC

3

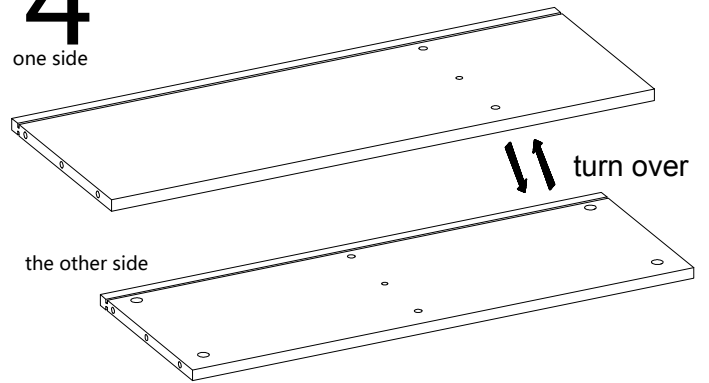


720*265*15mm

1 PC

4

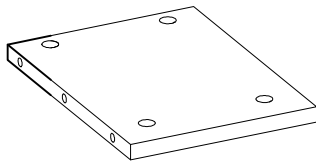
one side



720*265*15mm

1 PC

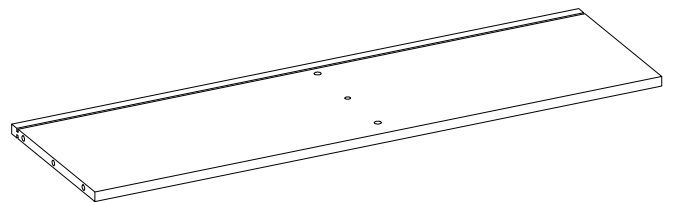
5



185*244*15mm

1 PC

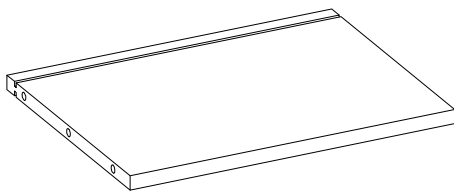
6



905*265*15mm

1 PC

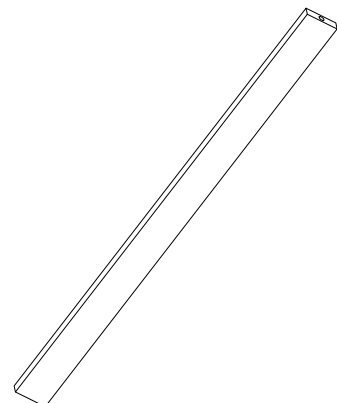
7



350*265*15mm

1 PC

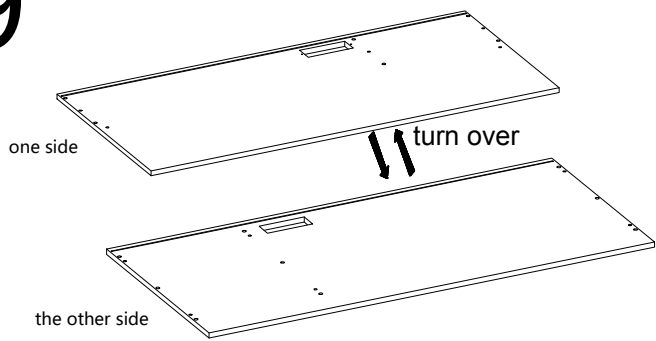
8



720*50*15mm

2 PCS

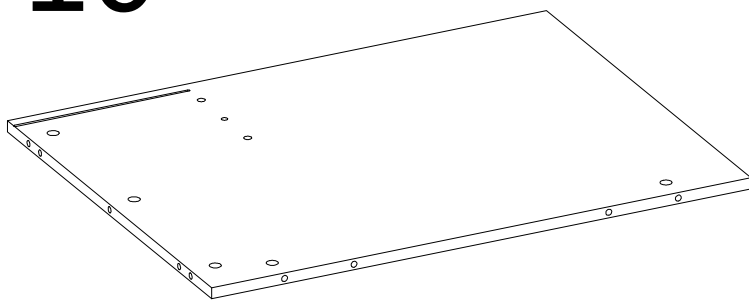
9



1302*600*15mm

1 PC

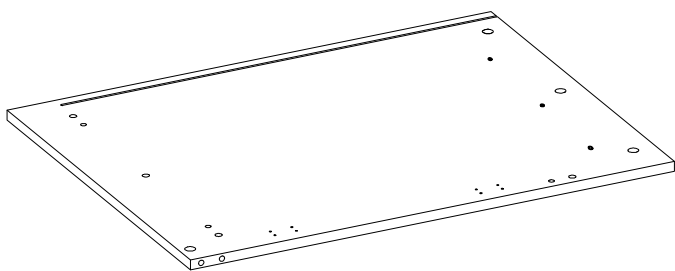
10



745*565*15mm

1 PC

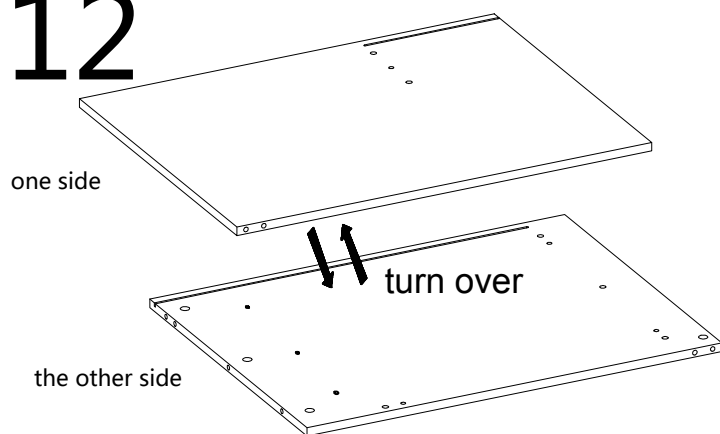
11



745*565*15mm

1 PC

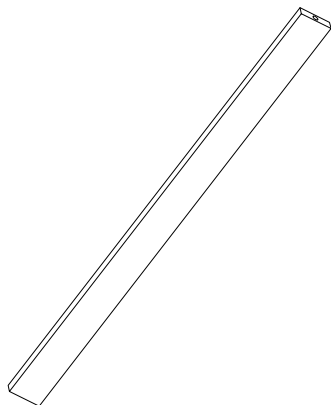
12



745*565*15mm

1 PC

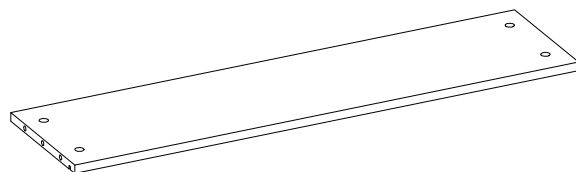
13



745*50*15mm

1 PC

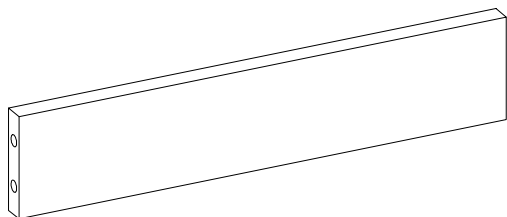
14



905*230*15mm

1 PC

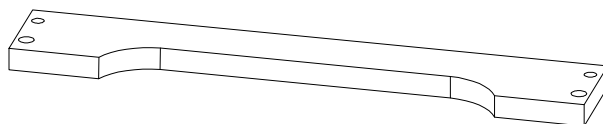
15



350*72*15mm

1 PC

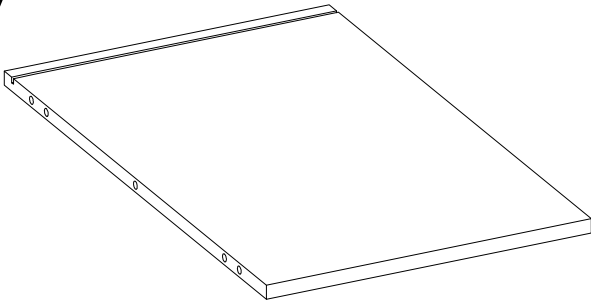
16



380*80*15mm

1 PC

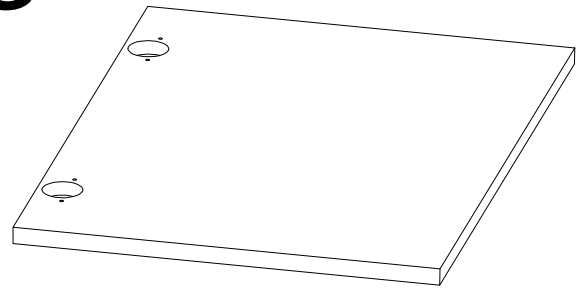
17



350*565*15mm

1 PC

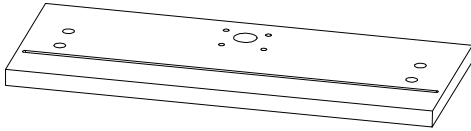
18



482*376*15mm

1 PC

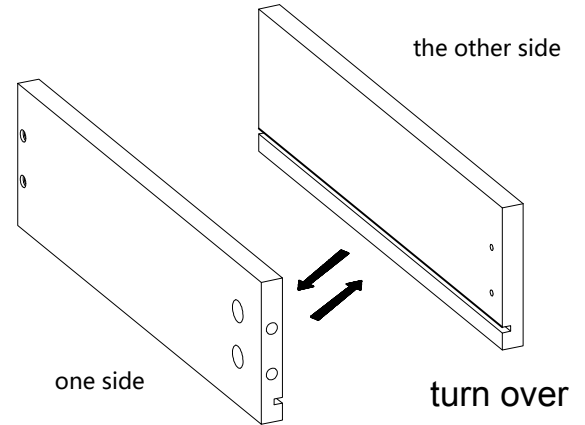
19



376*148*15mm

1 PC

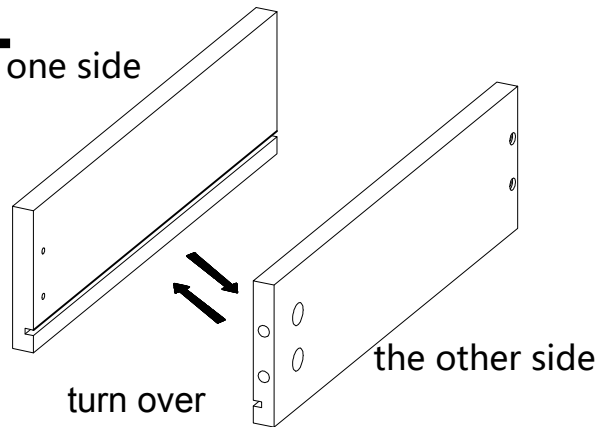
20



350*100*15mm

1 PC

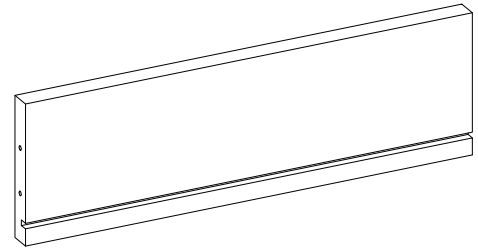
21



350*100*15mm

1 PC

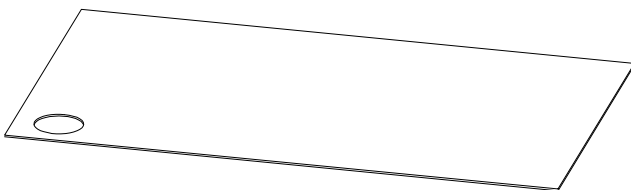
22



295*100*15mm

1 PC

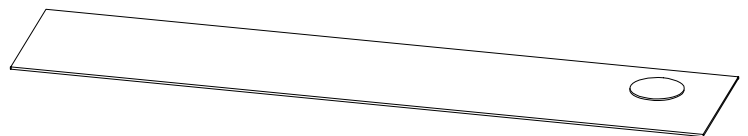
23



528*914*3mm

1 PC

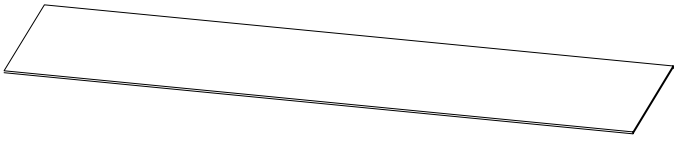
24



244*914*3mm

1 PC

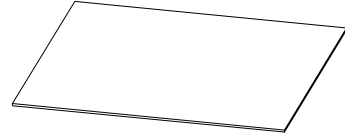
25



194*914*3mm

1 PC

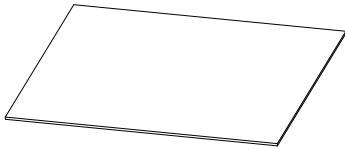
26



344*359*3mm

1 PC

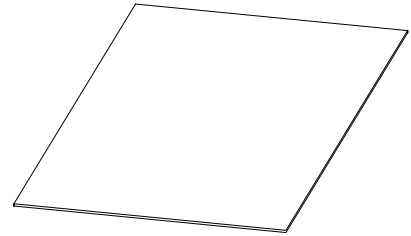
27



378*359*3mm

1 PC

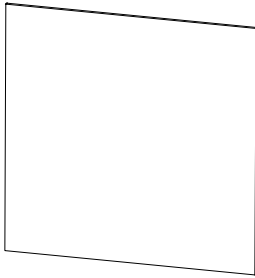
28



674*359*3mm

1 PC

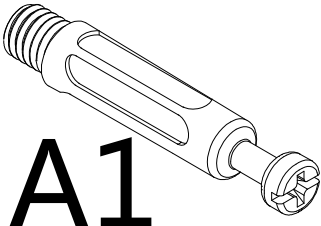
29



305*345*3mm

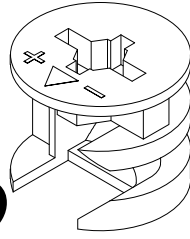
1 PC

A



A1

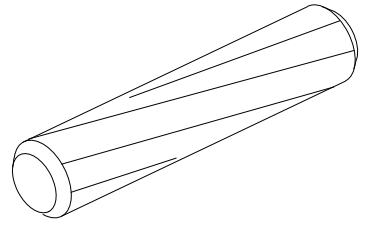
φ7*40mm



A2

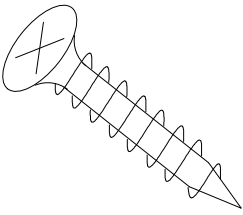
φ15*11mm 57PCS

B



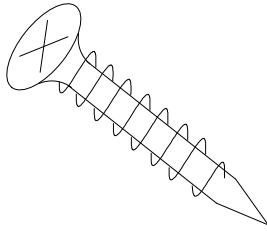
φ8*30mm 39PCS

C



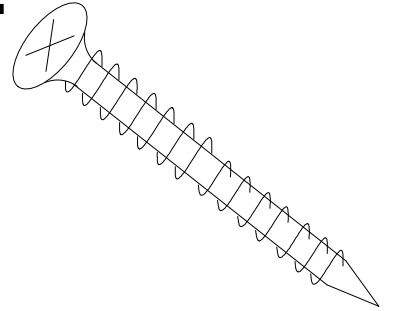
M3.5*14mm 50PCS

D



M3.5*16mm 4PCS

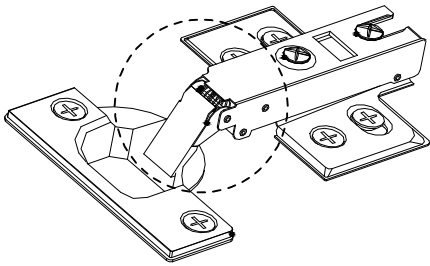
E



M3.5*35mm 4PCS

F

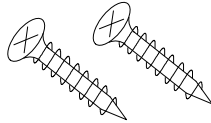
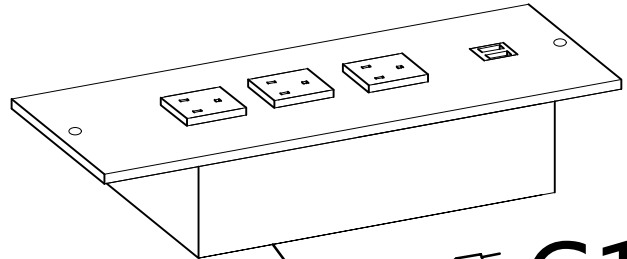
Full Overlay



φ35mm

2PCS

G

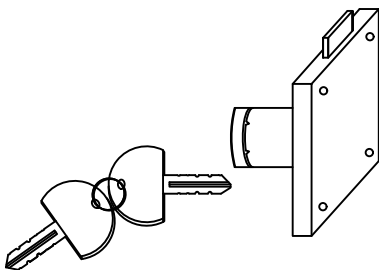


G2

G1

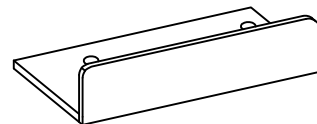
1PC

H



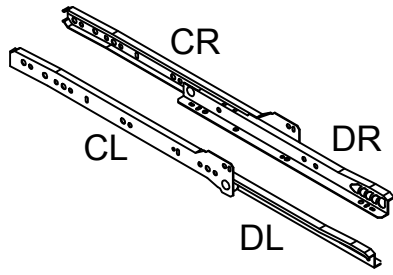
1PC

I



1PC

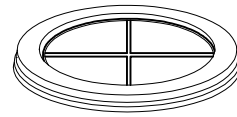
J



L=350mm

1PC

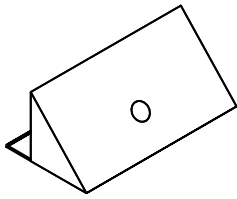
K



∅46mm

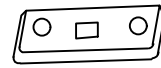
2PCS

L

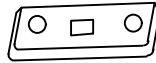


24PCS

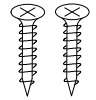
M



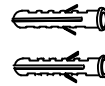
M1



M2



M4



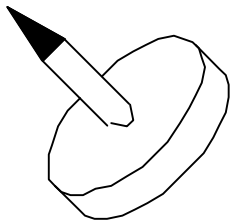
M3



M5

2PCS

N



9PCS

O



∅21mm

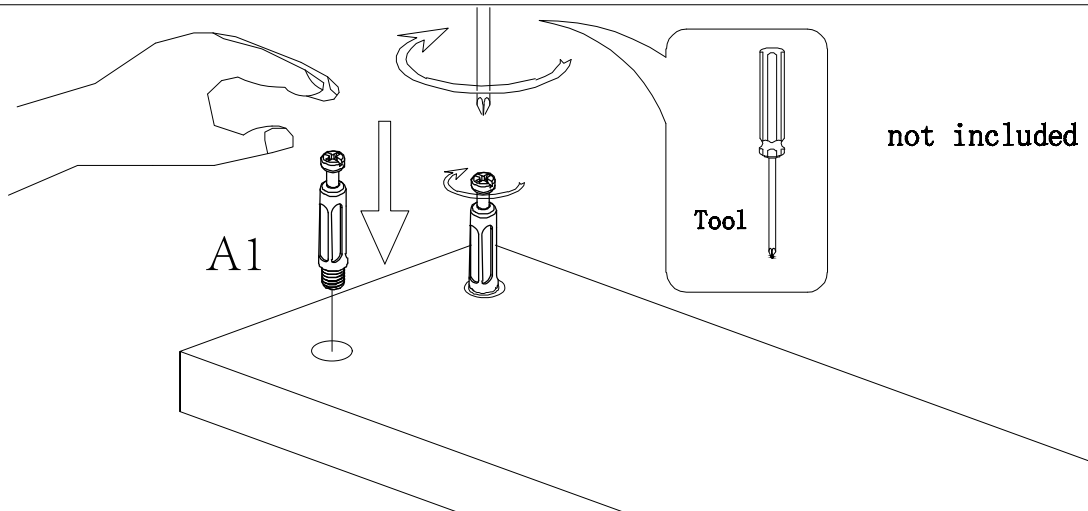
57PCS

Hardware installation demonstration

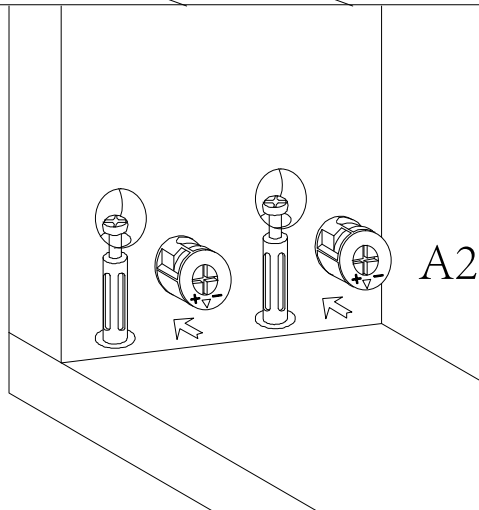


NOTE: Please make sure "A1" hardware tightened and can't be pulled out!

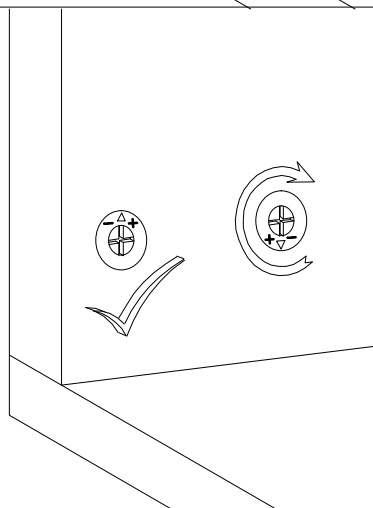
I



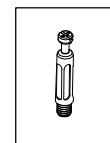
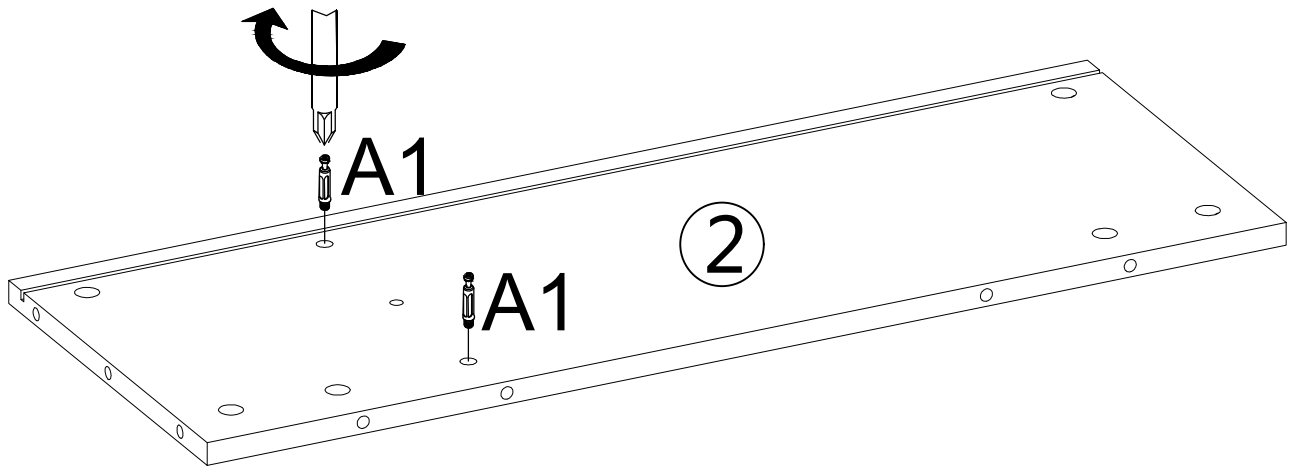
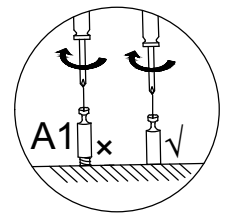
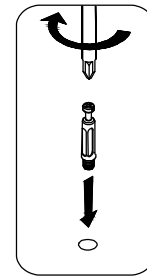
II



III

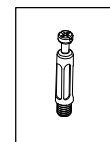
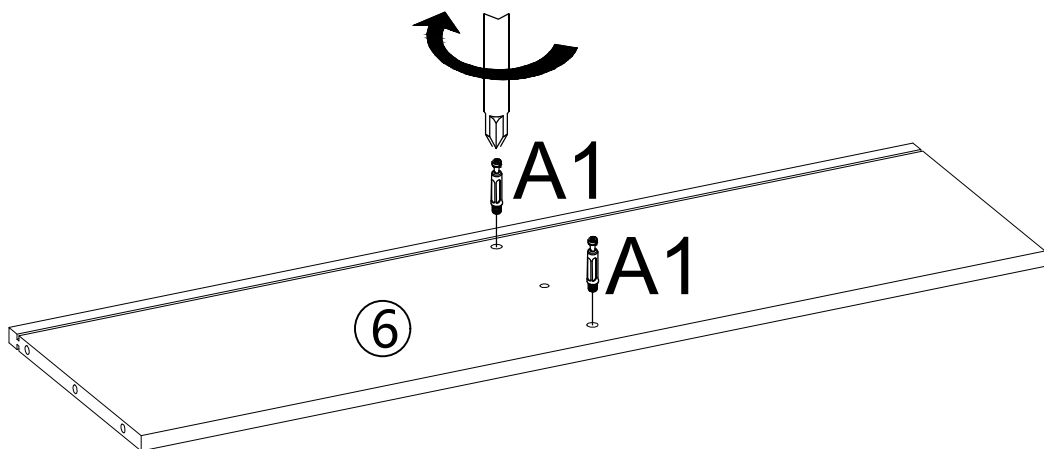
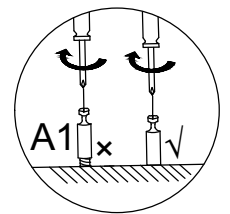
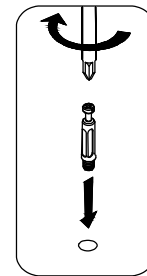


STEP 1



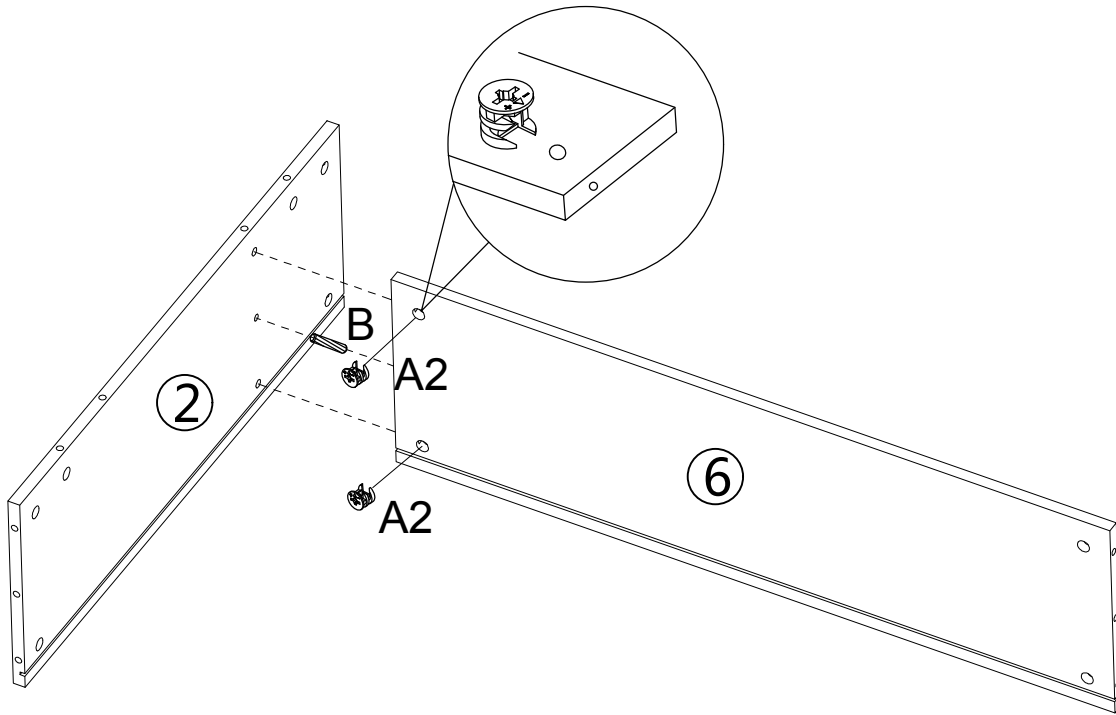
A1 × 2PCS



STEP 2



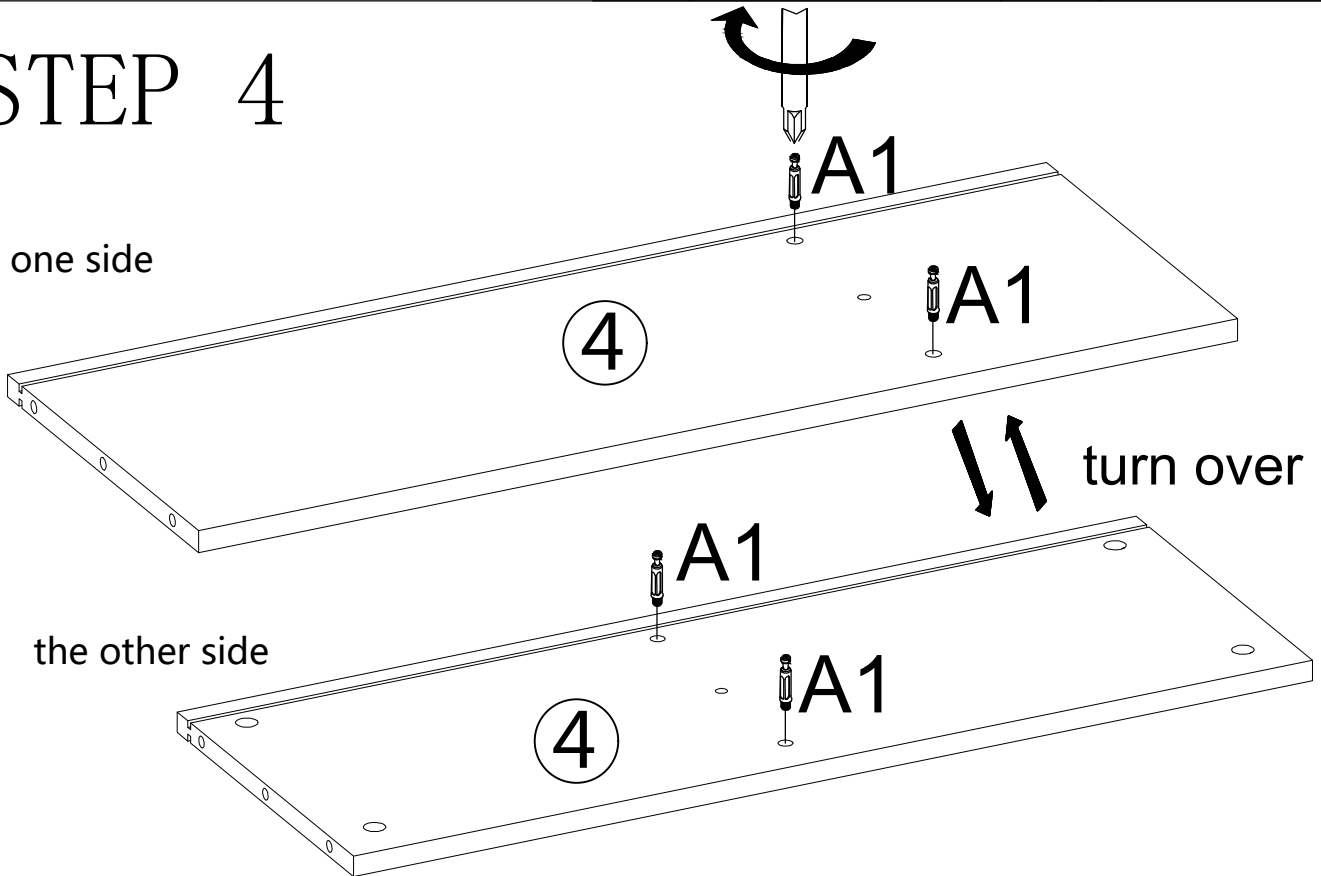
A1 × 2PCS


STEP 3



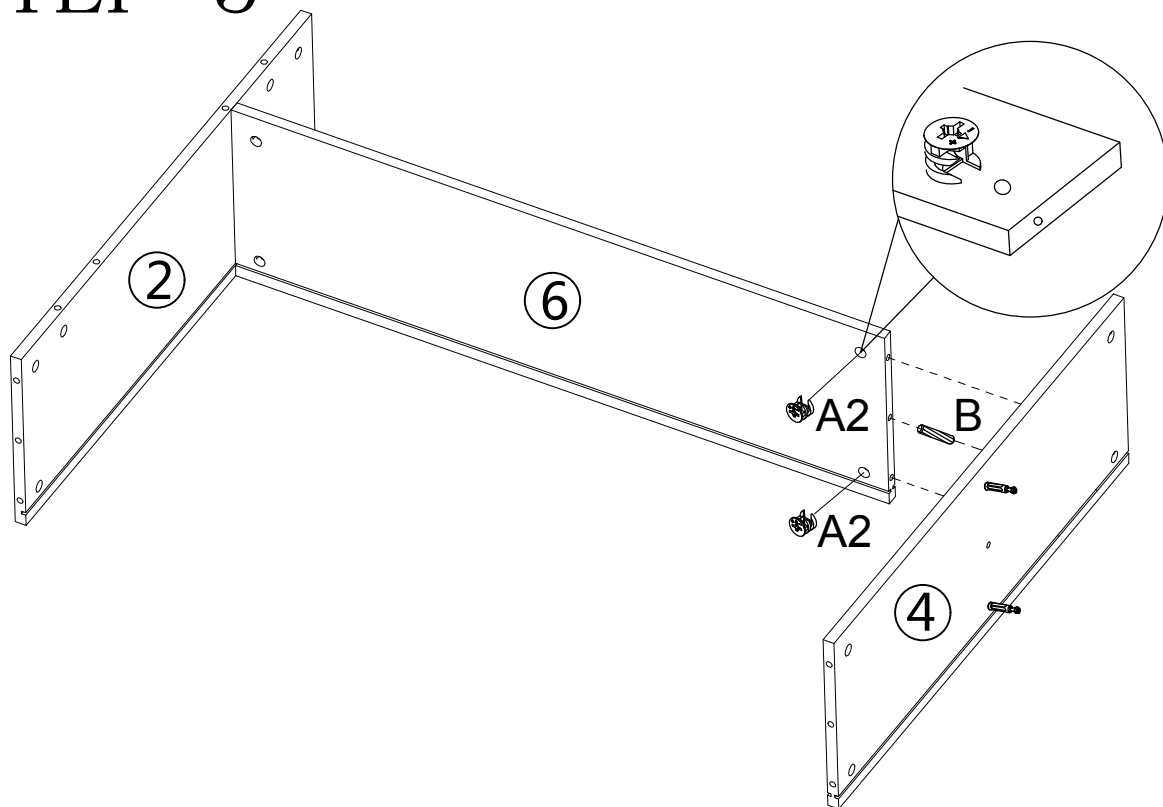
	A2 × 2PCS		B × 1PC
---	-----------	---	---------



STEP 4



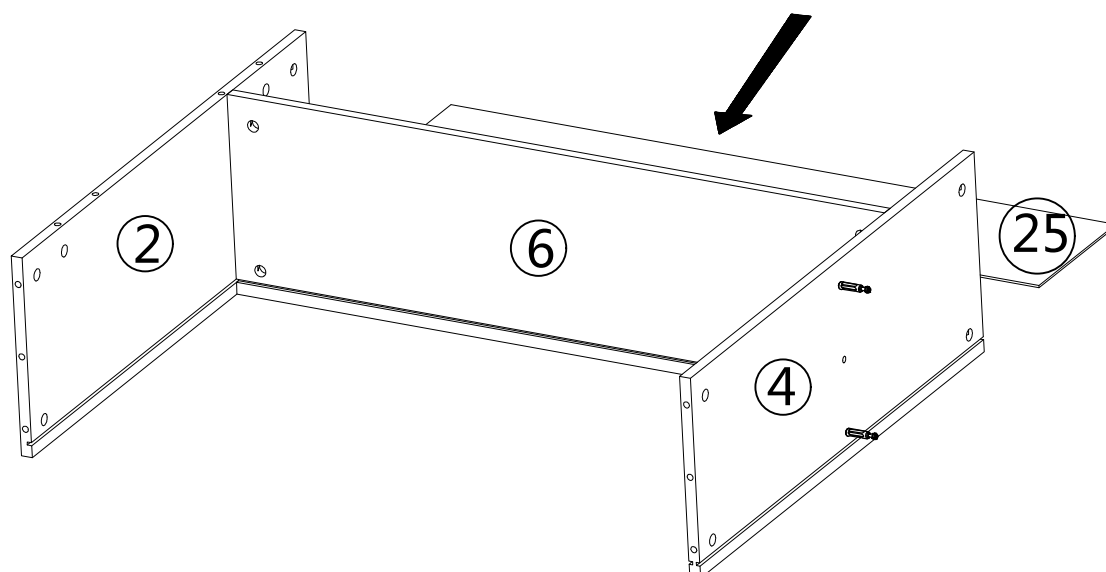
	A1 × 4PCS
---	-----------

STEP 5

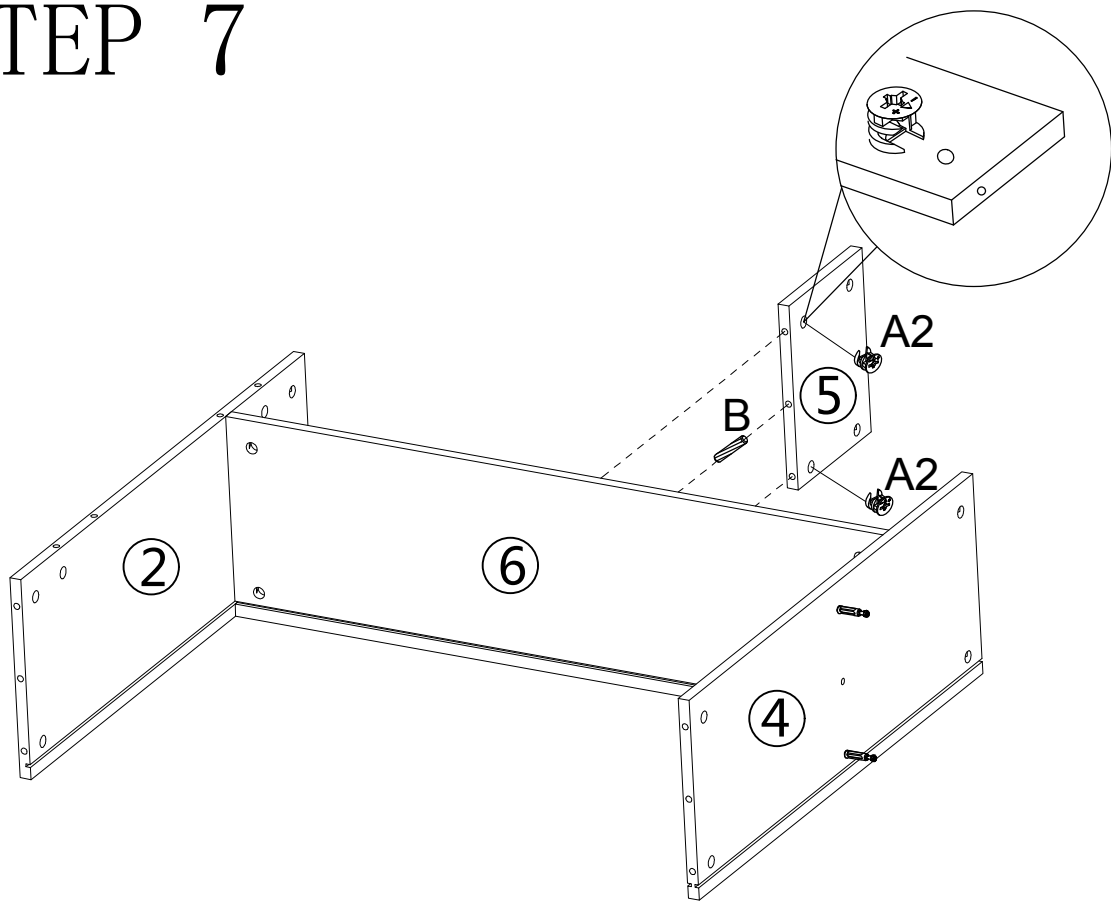




	A2 × 2PCS		B × 1PC
---	-----------	---	---------

STEP 6

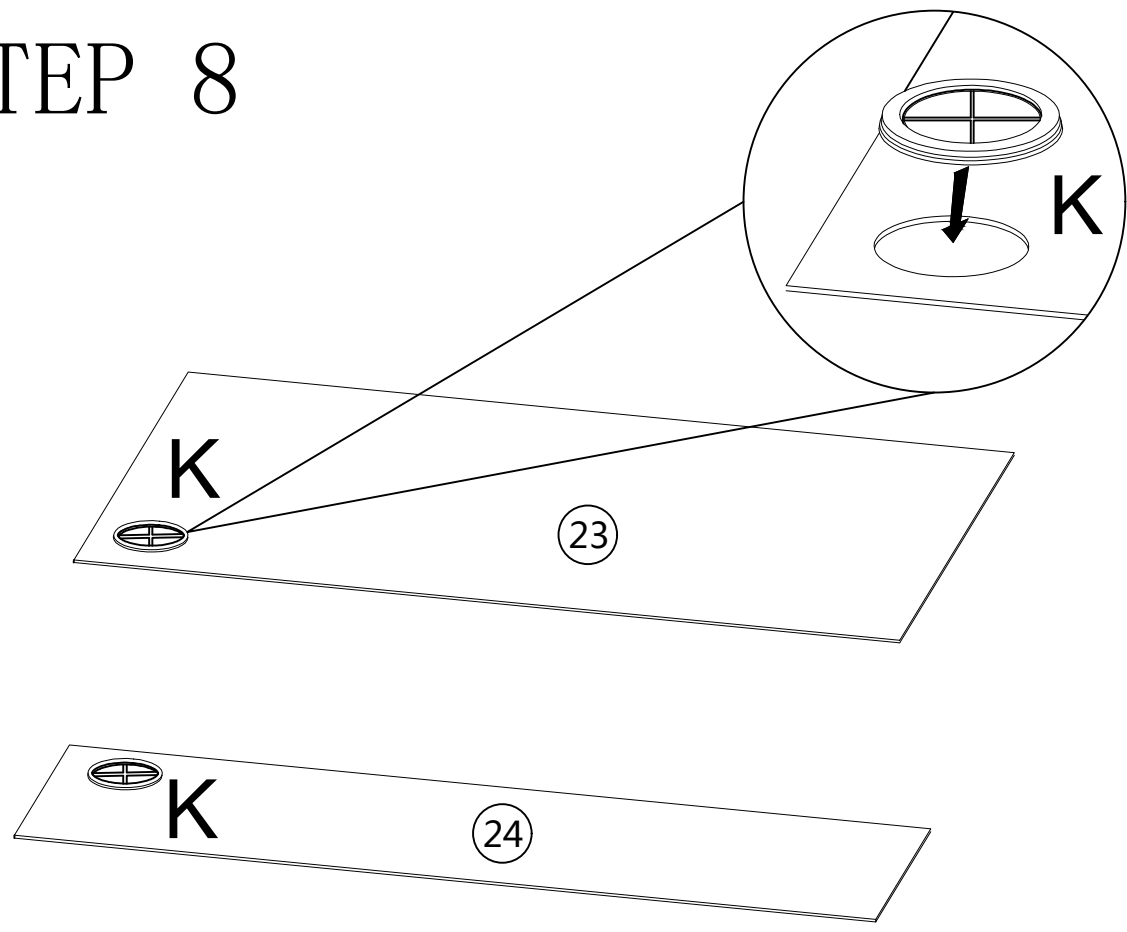



STEP 7



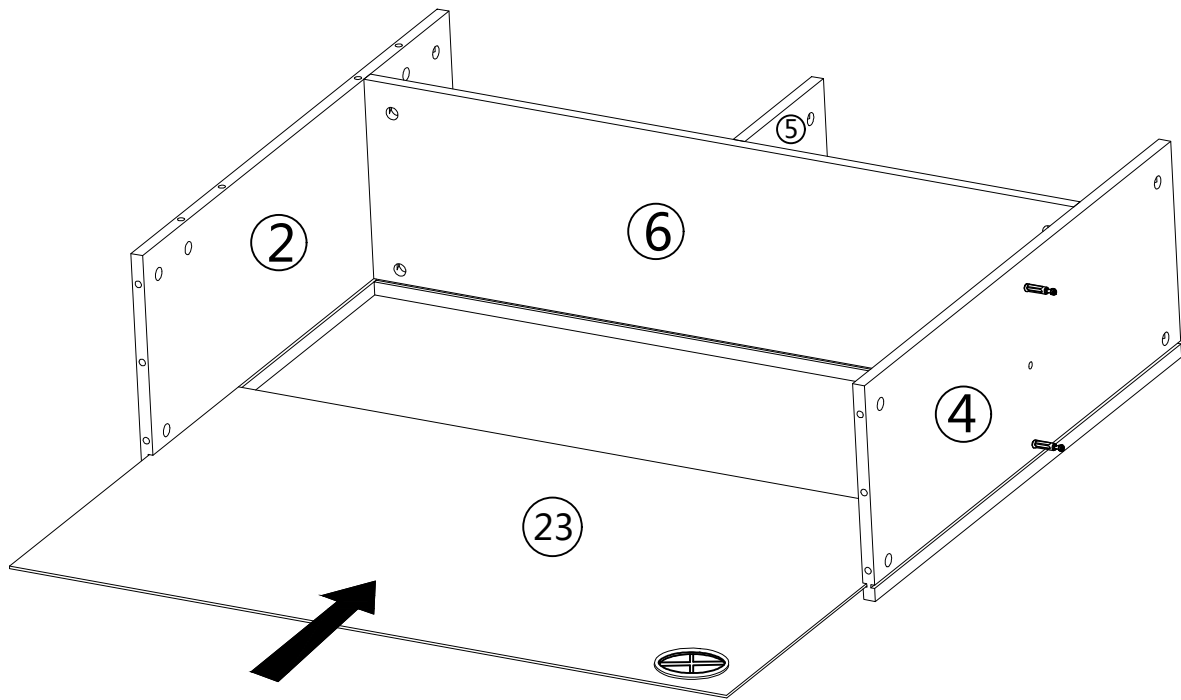
	A2 × 2PCS		B × 1PC
---	-----------	---	---------

STEP 8

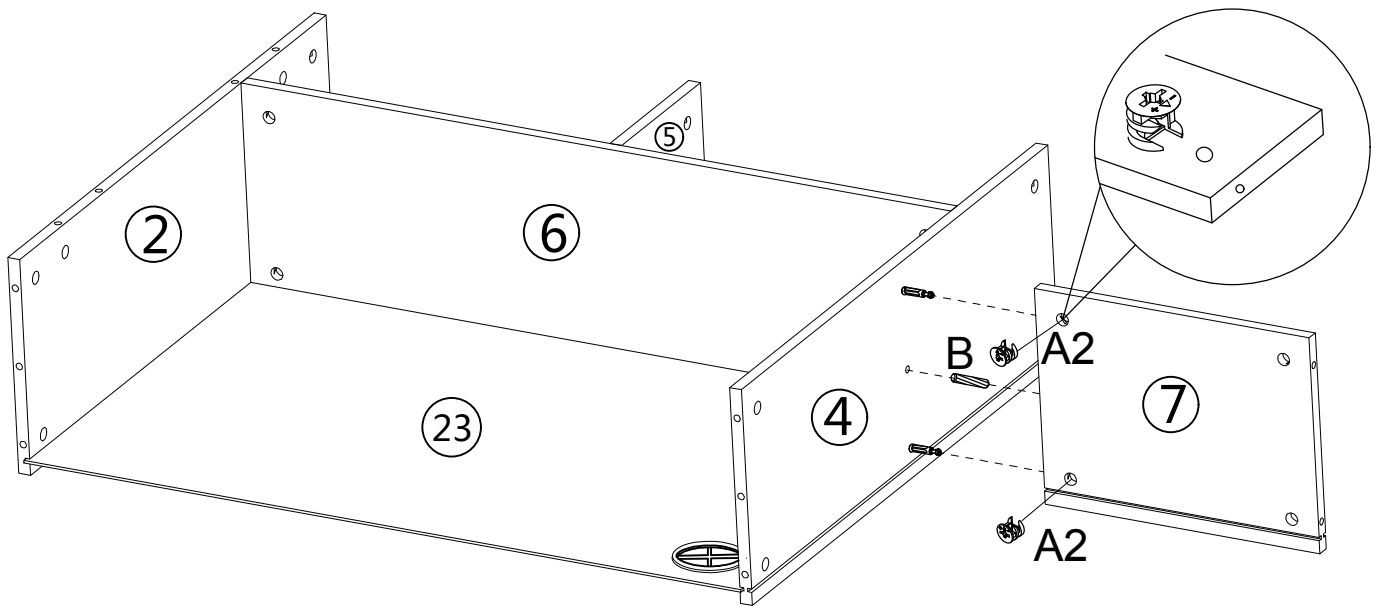



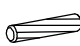
	K × 2PCS
---	----------

STEP 9

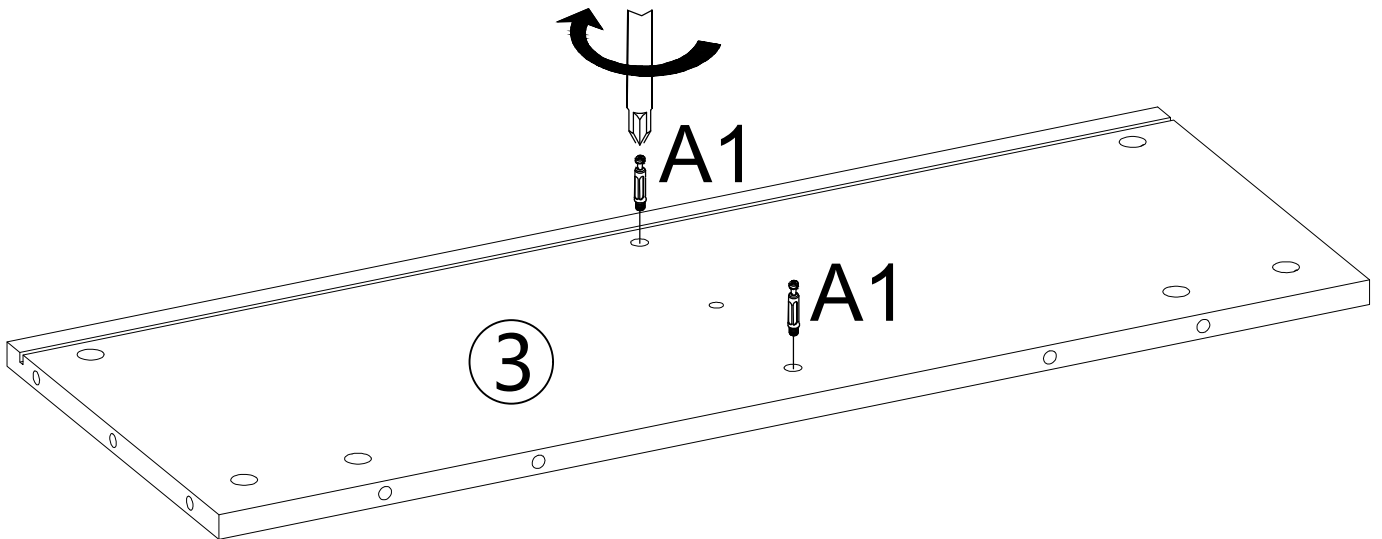



STEP 10



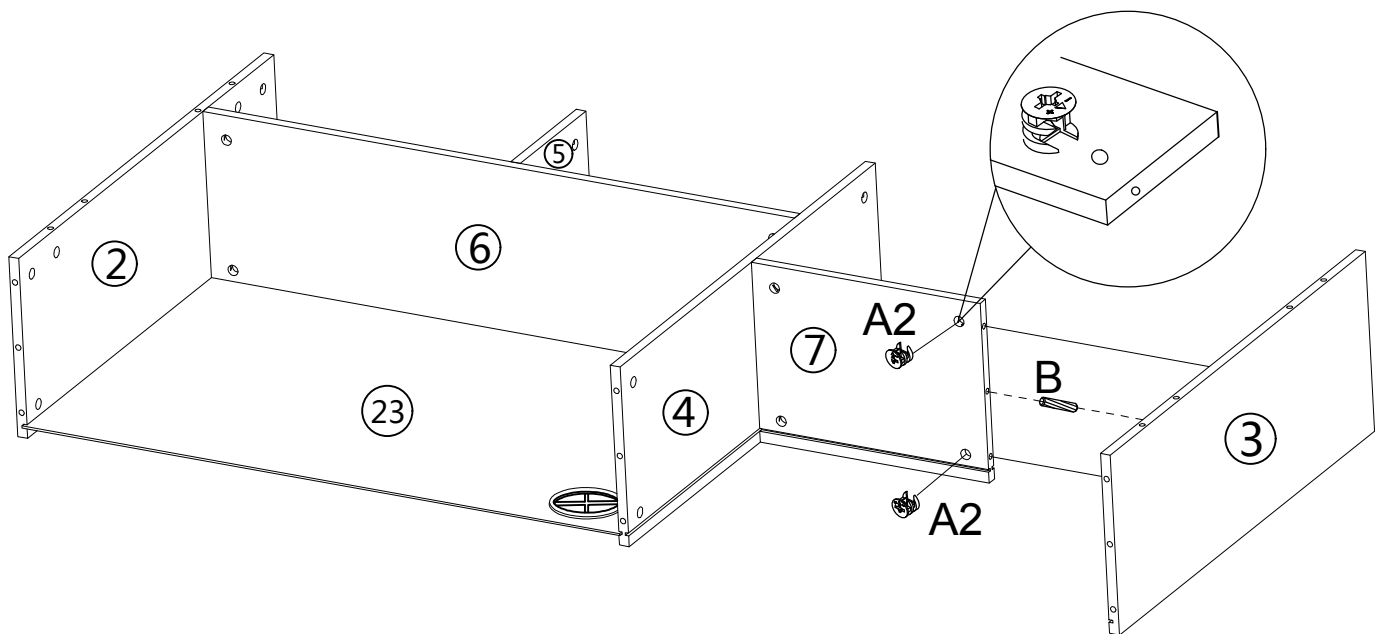
	A2 × 2PCS		B × 1PC
---	-----------	---	---------



STEP 11



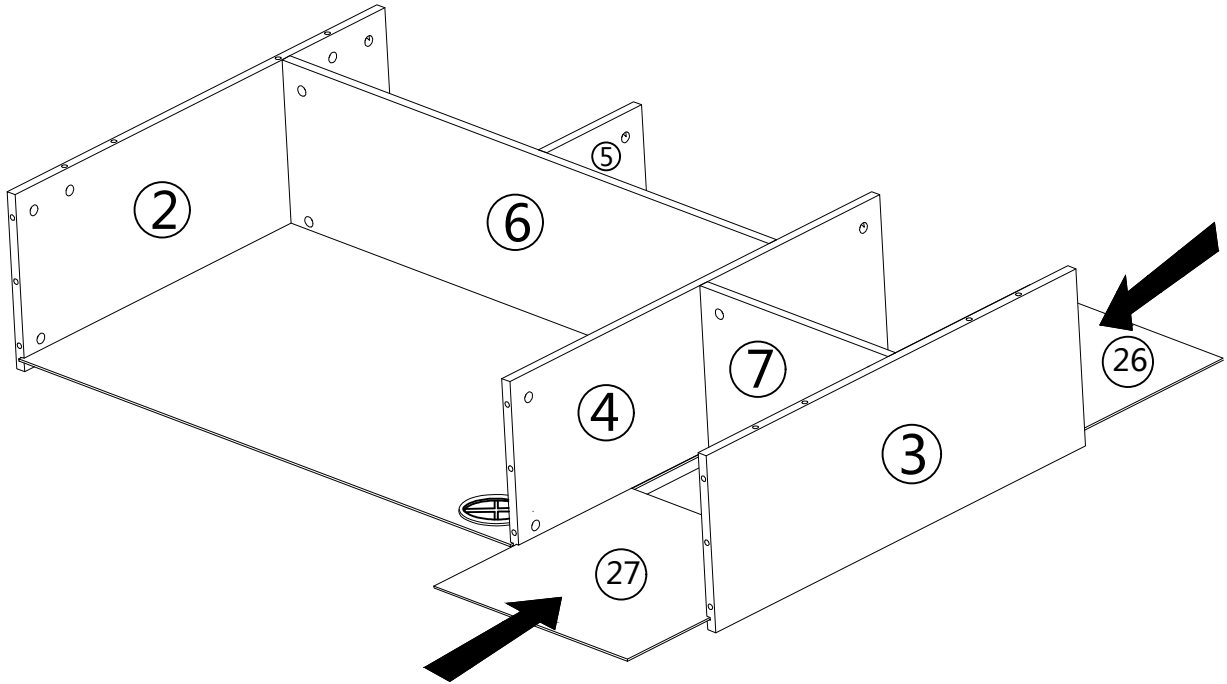
	A1 × 2PCS
---	-----------

STEP 12

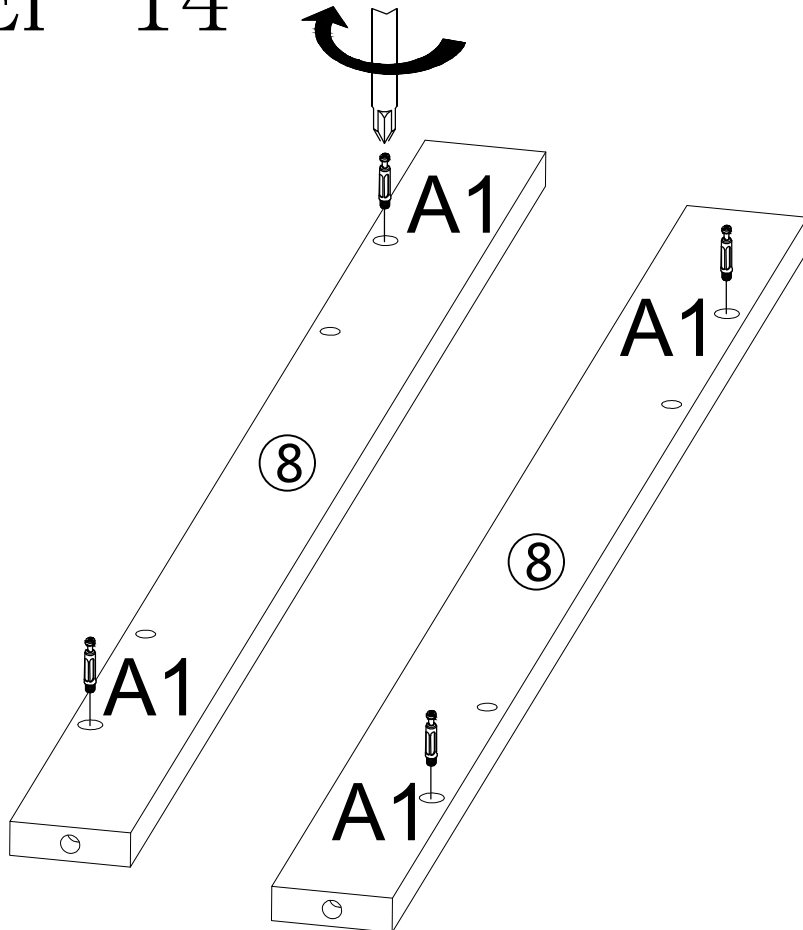


	A2 × 2PCS		B × 1PC
---	-----------	---	---------

STEP 13

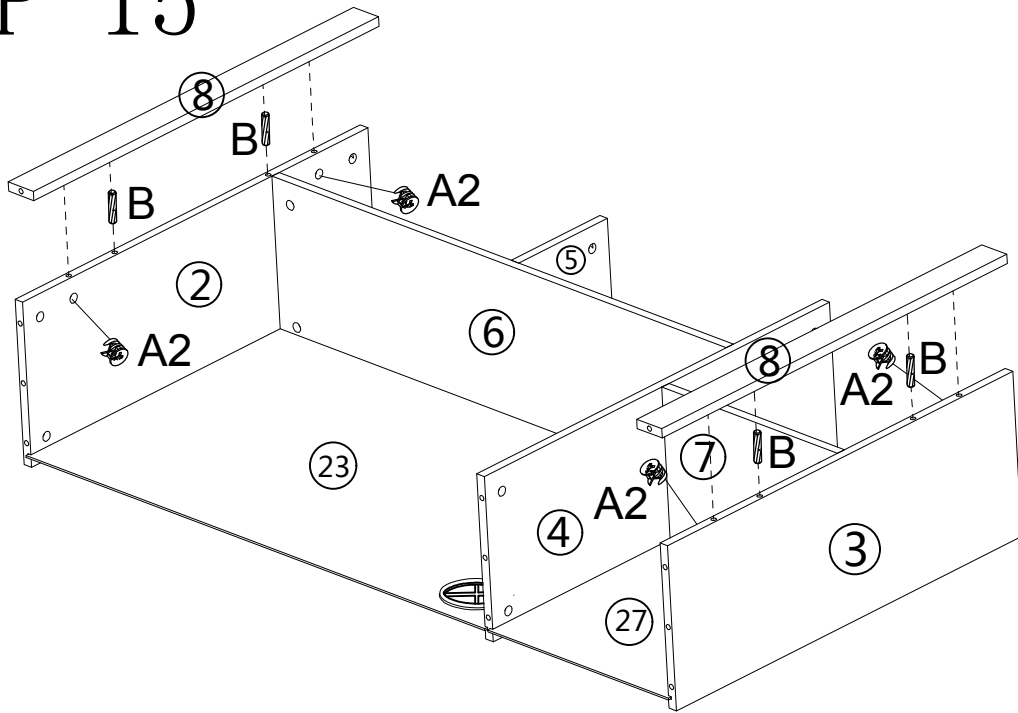



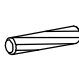
STEP 14



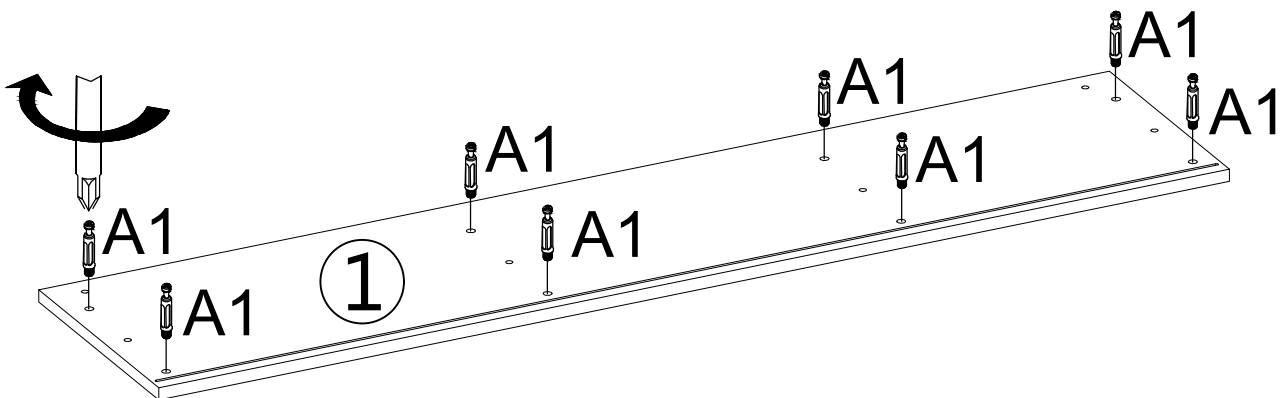
A1 × 4PCS


STEP 15



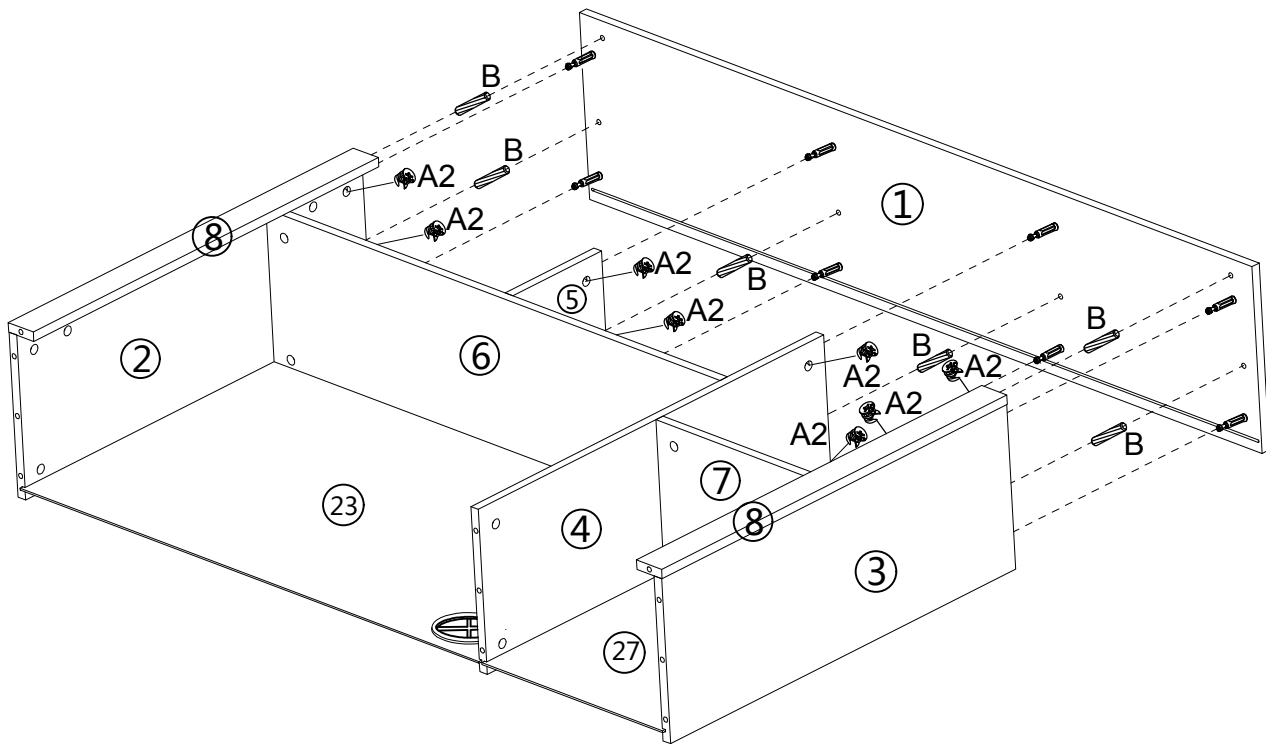
	A2 × 4PCS		B × 4PCS
---	-----------	---	----------



STEP 16



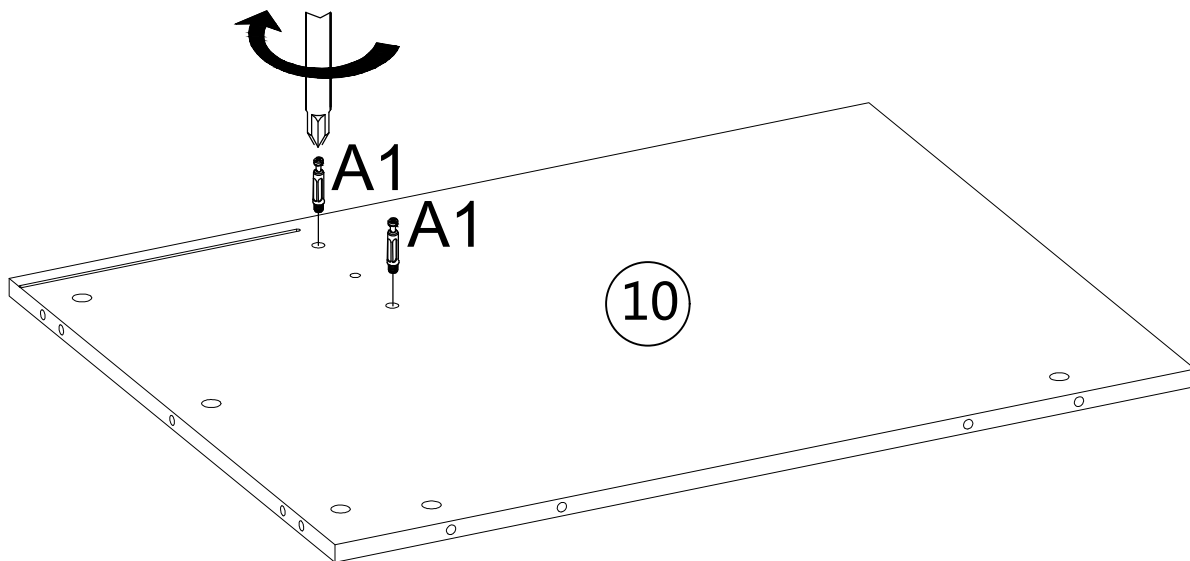
	A1 × 8PCS
---	-----------


STEP 17



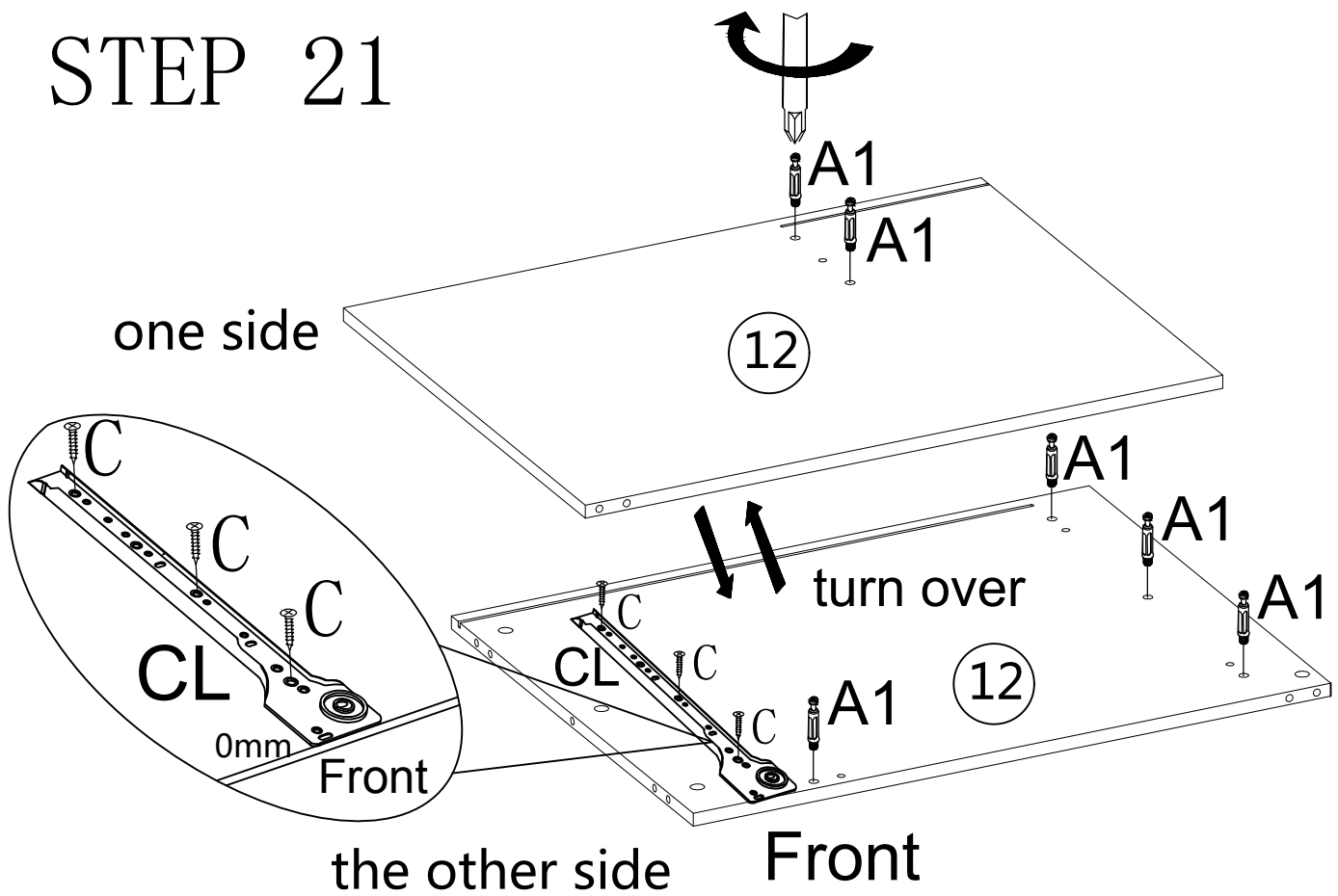
	A2 × 8PCS		B × 6PCS
---	-----------	---	----------




STEP 18



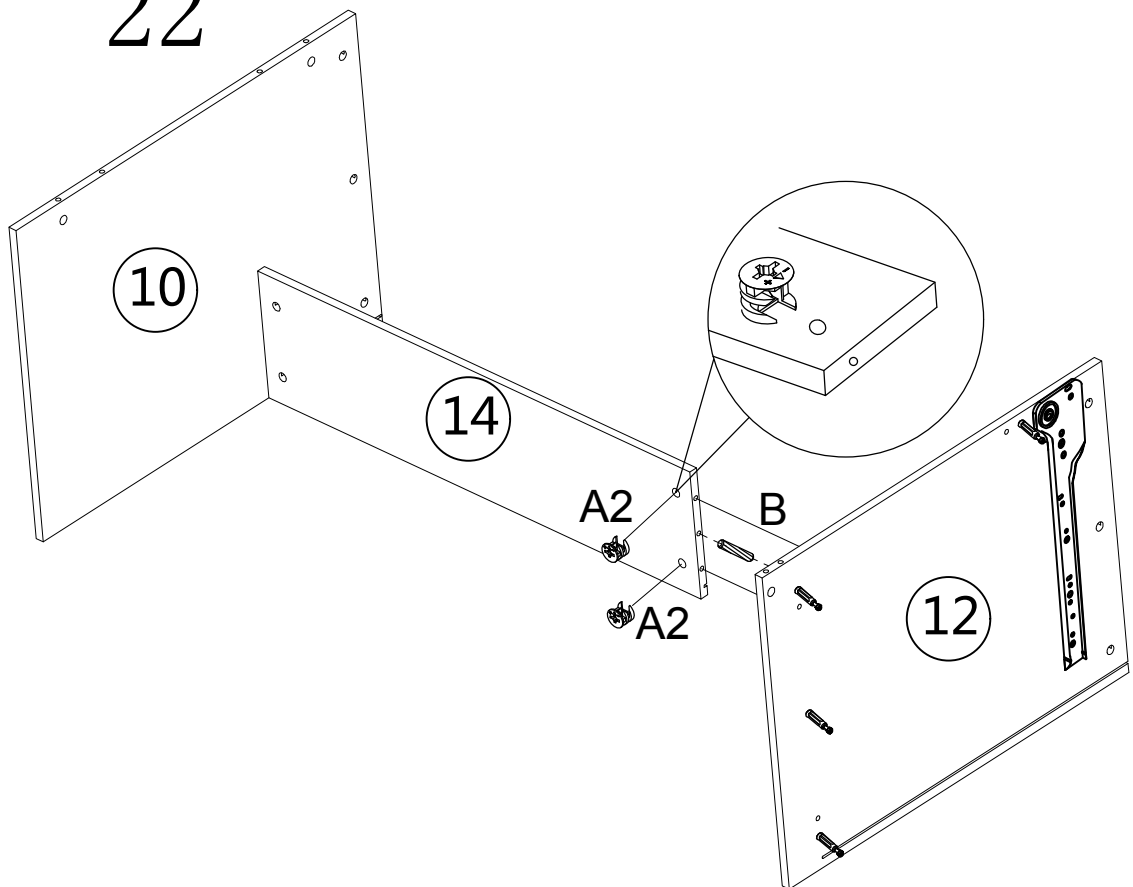
	A1 × 2PCS
---	-----------



STEP 21



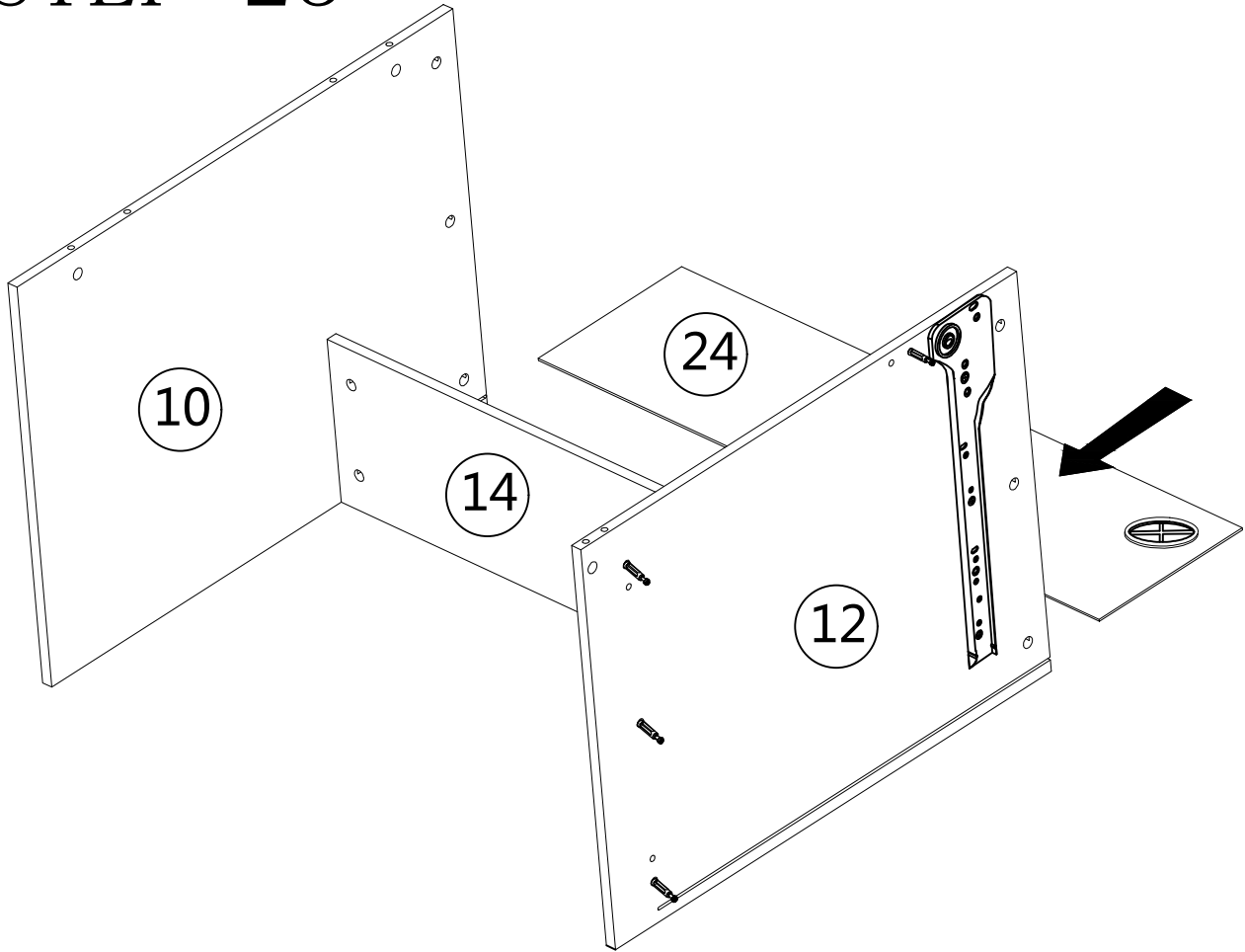
	A1 × 6PCS		C × 3PCS		CL × 1PC
---	-----------	---	----------	---	----------

STEP 22

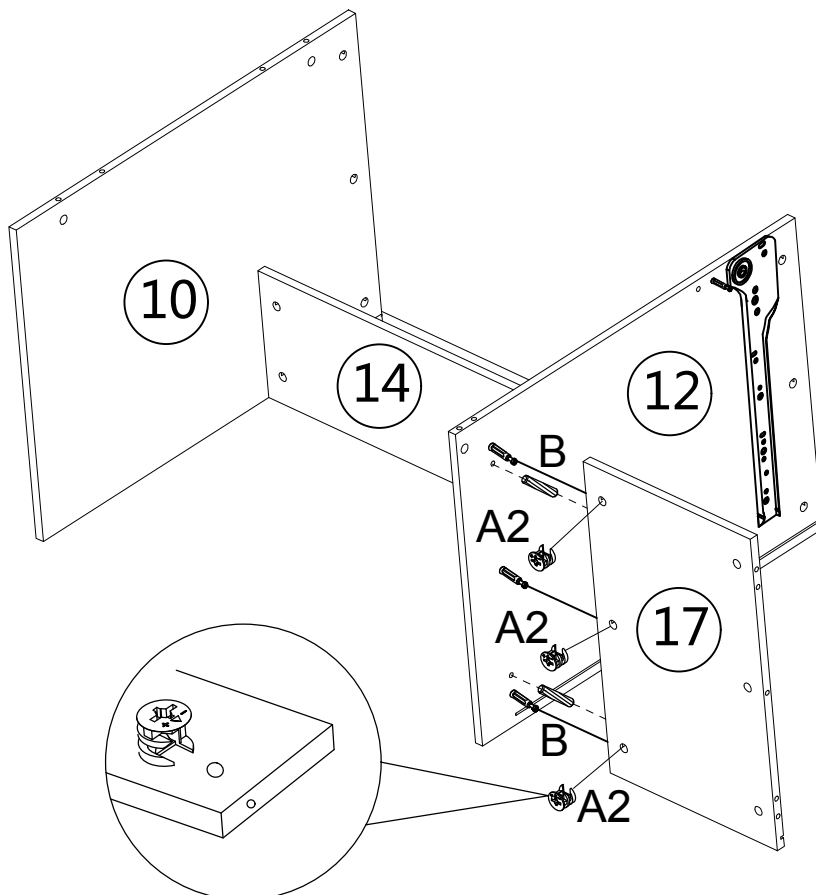



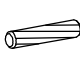
	A2 × 2PCS		B × 1PC
---	-----------	---	---------

STEP 23

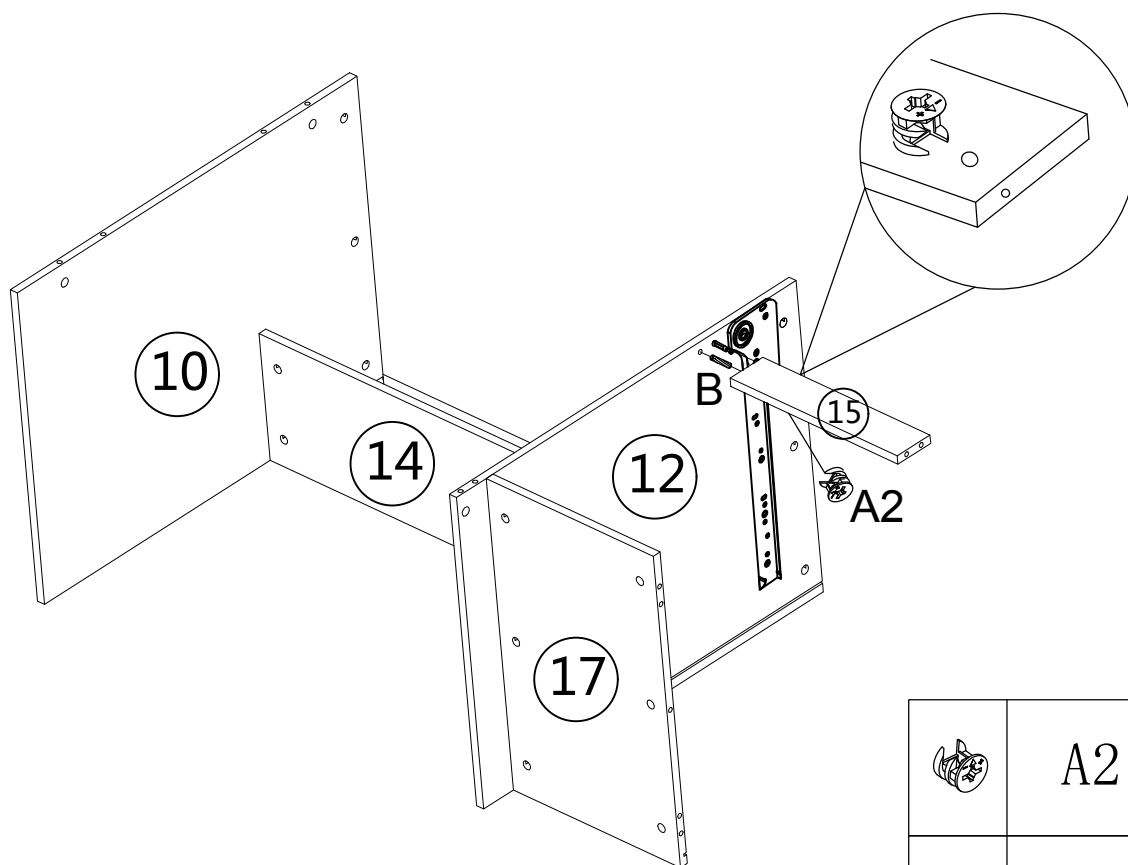



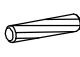
STEP 24



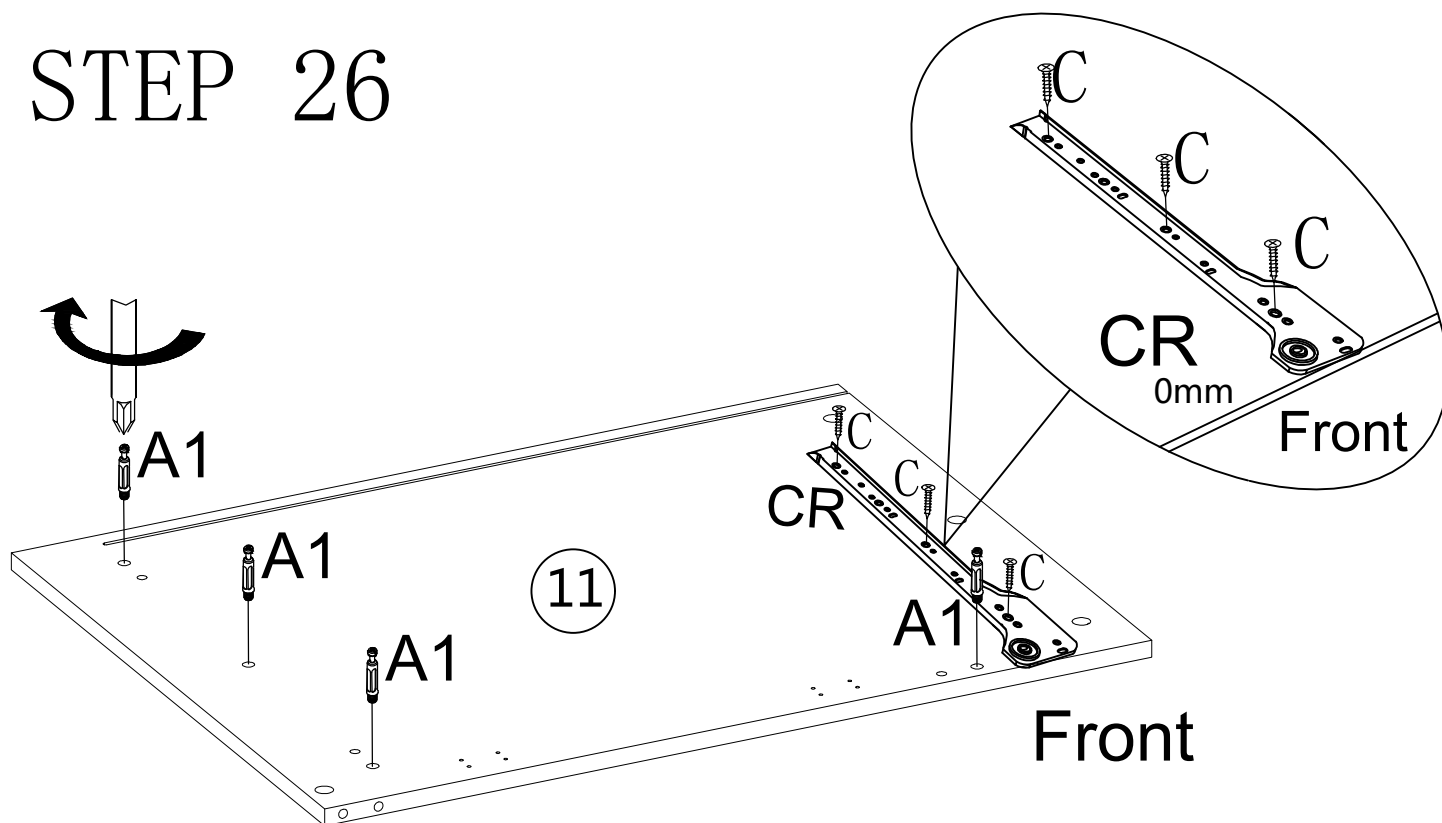
	A2 × 3PCS
	B × 2PCS



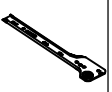
STEP 25



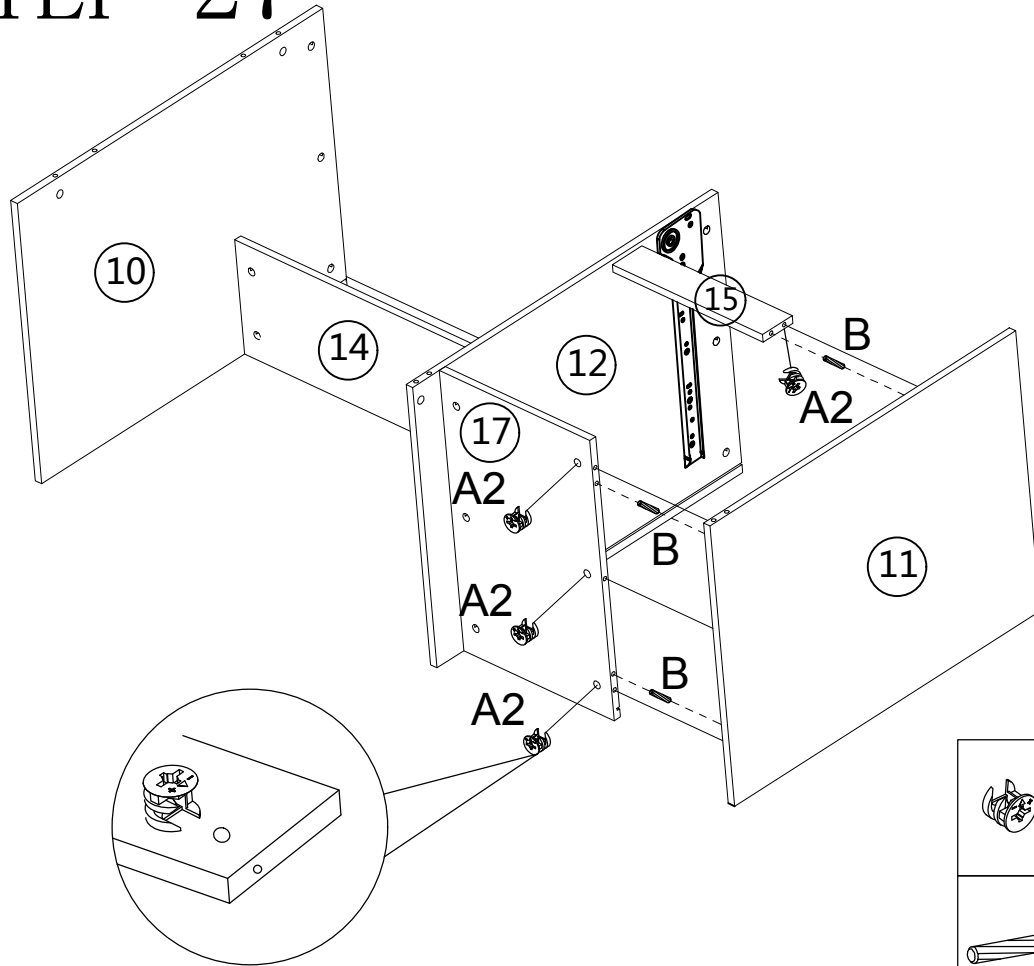
	A2 × 1PC
	B × 1PC



STEP 26



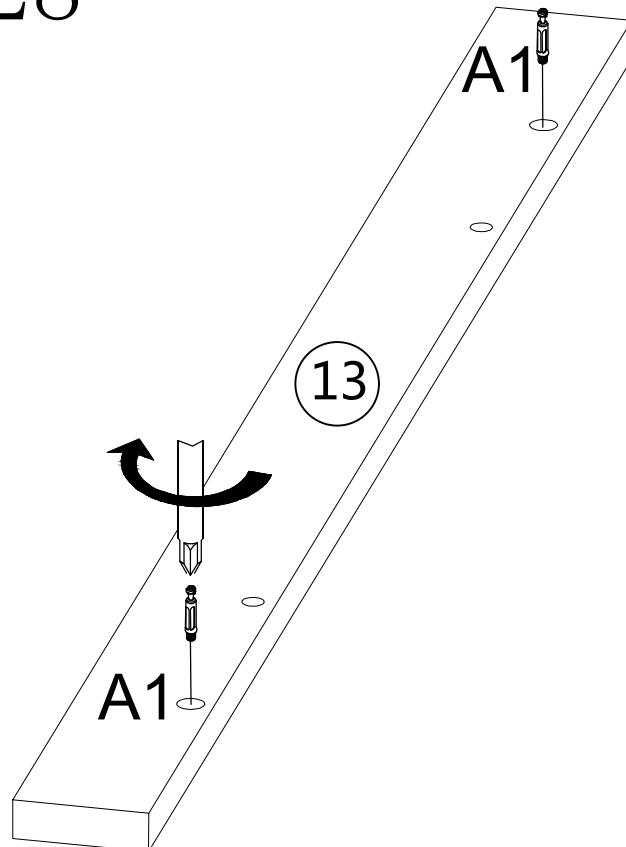
	A1 × 4PCS		C × 3PCS		CR × 1PC
---	-----------	---	----------	---	----------


STEP 27



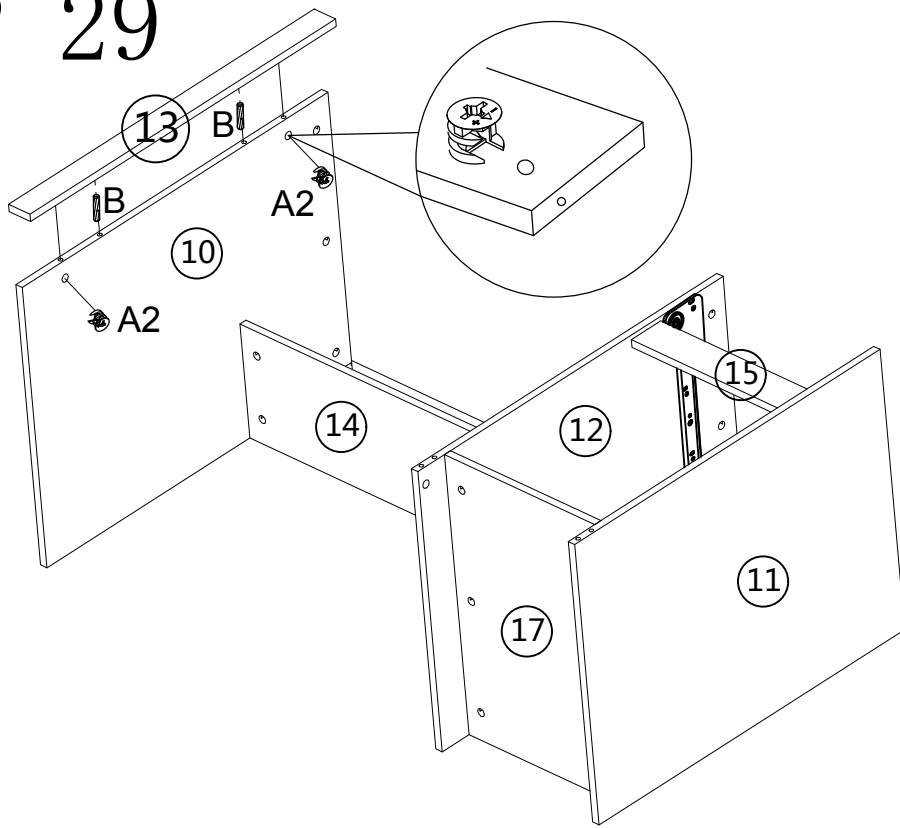
	A2 × 4PCS
	B × 3PCS



STEP 28



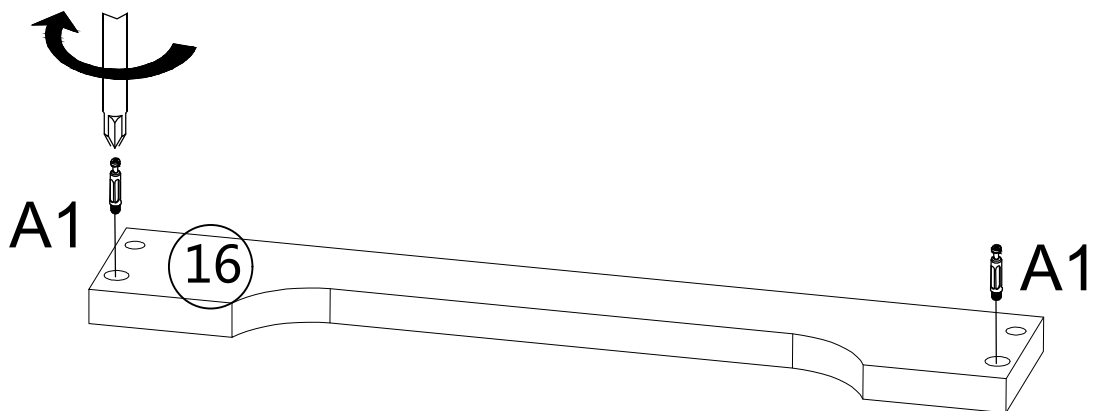
	A1 × 2PCS
---	-----------


STEP 29



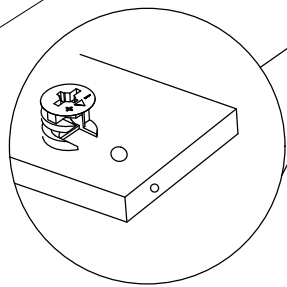
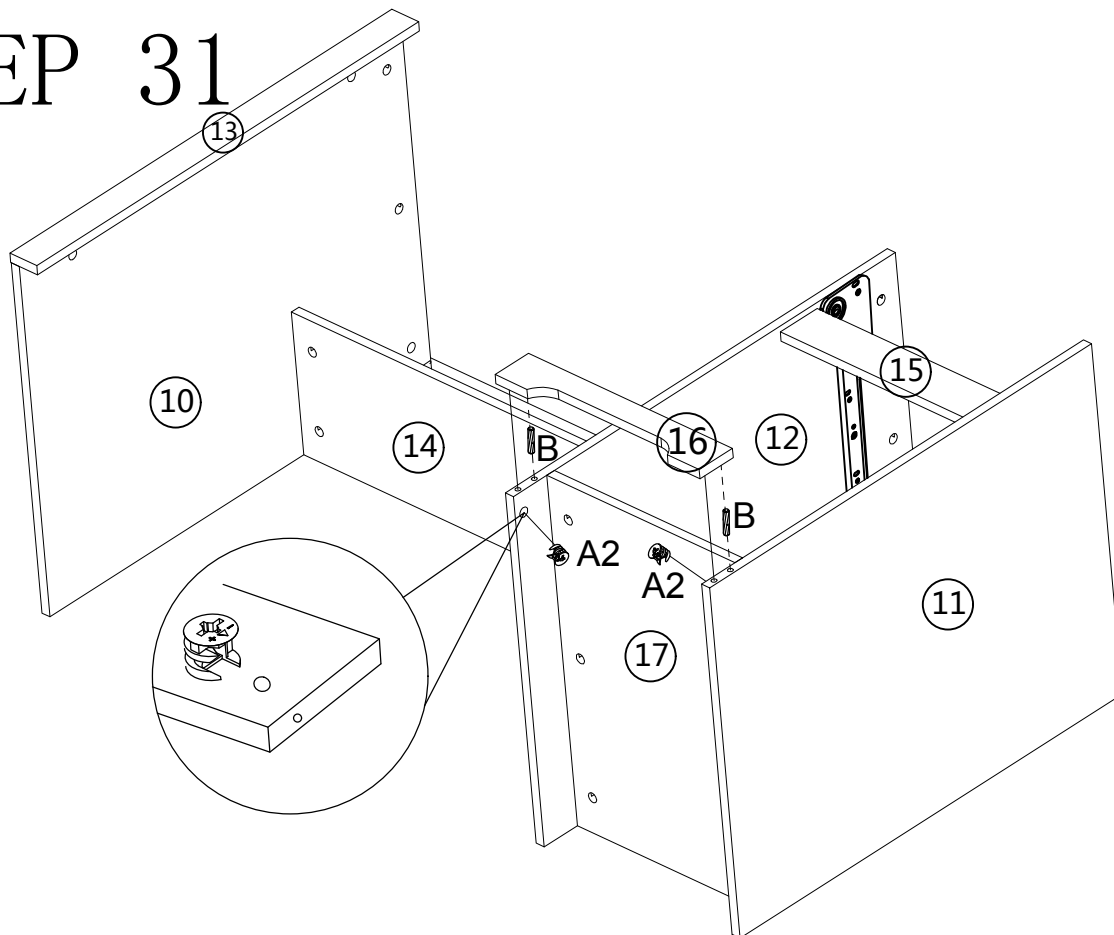
	A2 × 2PCS		B × 2PCS
---	-----------	---	----------



STEP 30



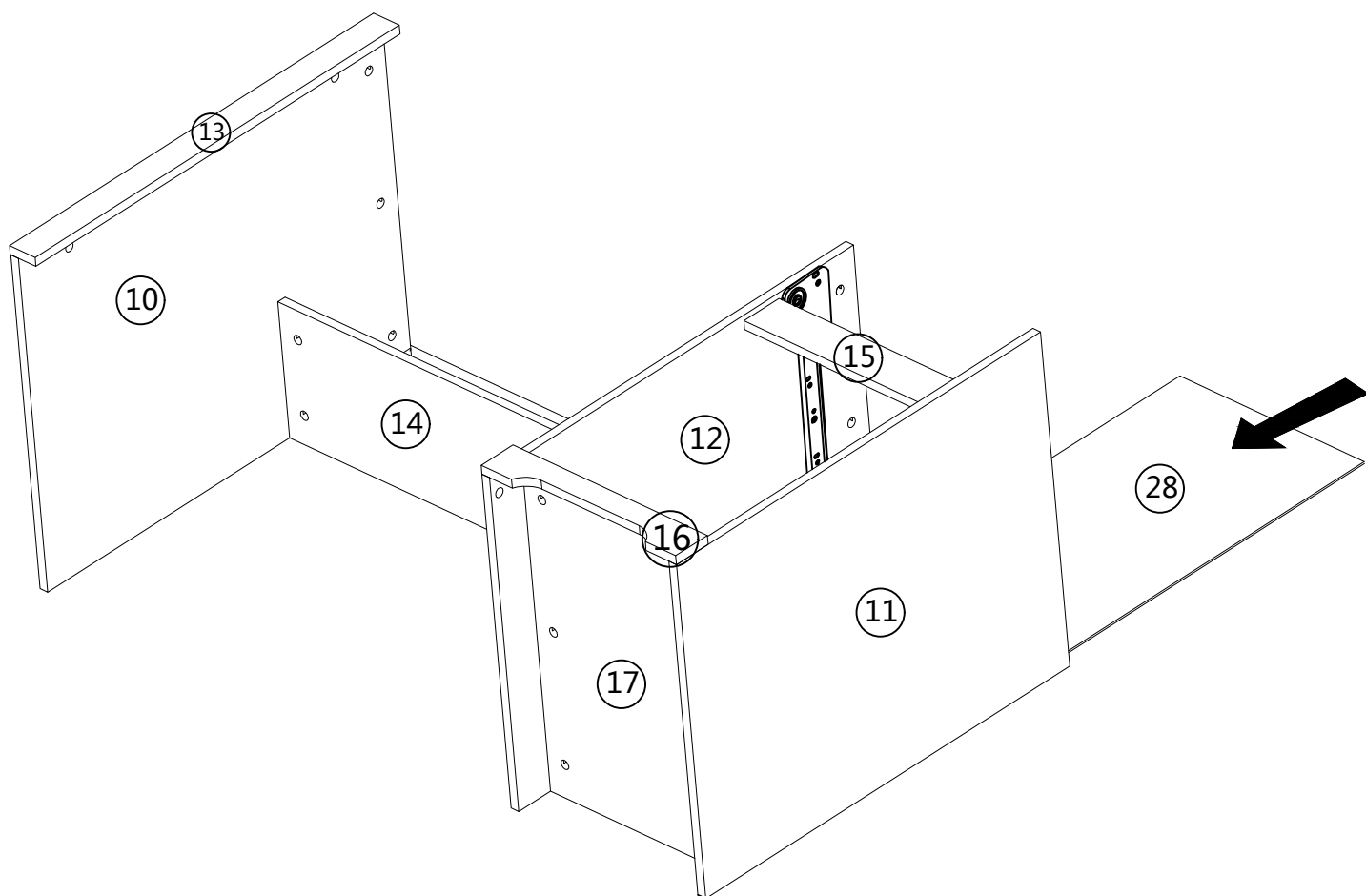
	A1 × 2PCS
---	-----------

STEP 31

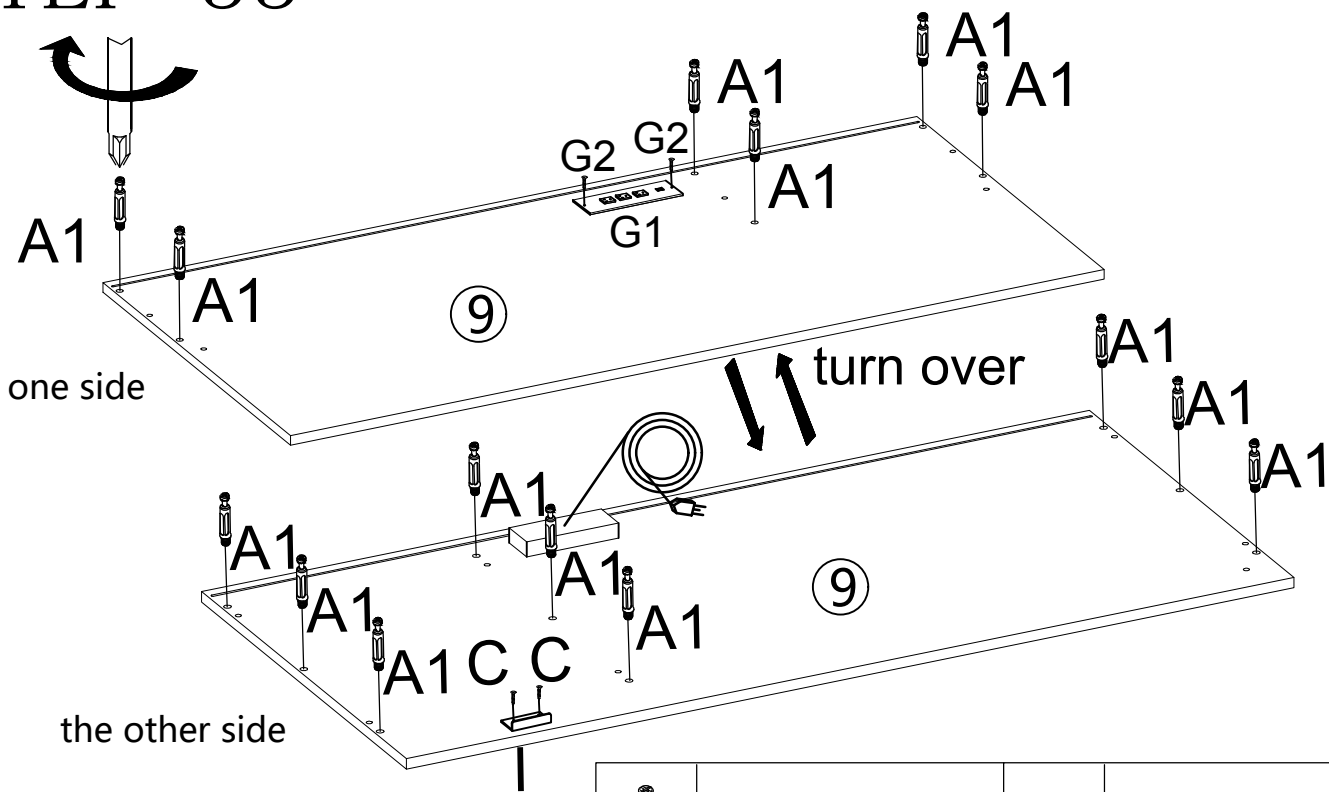


	A2 × 2PCS		B × 2PCS
---	-----------	---	----------

STEP 32

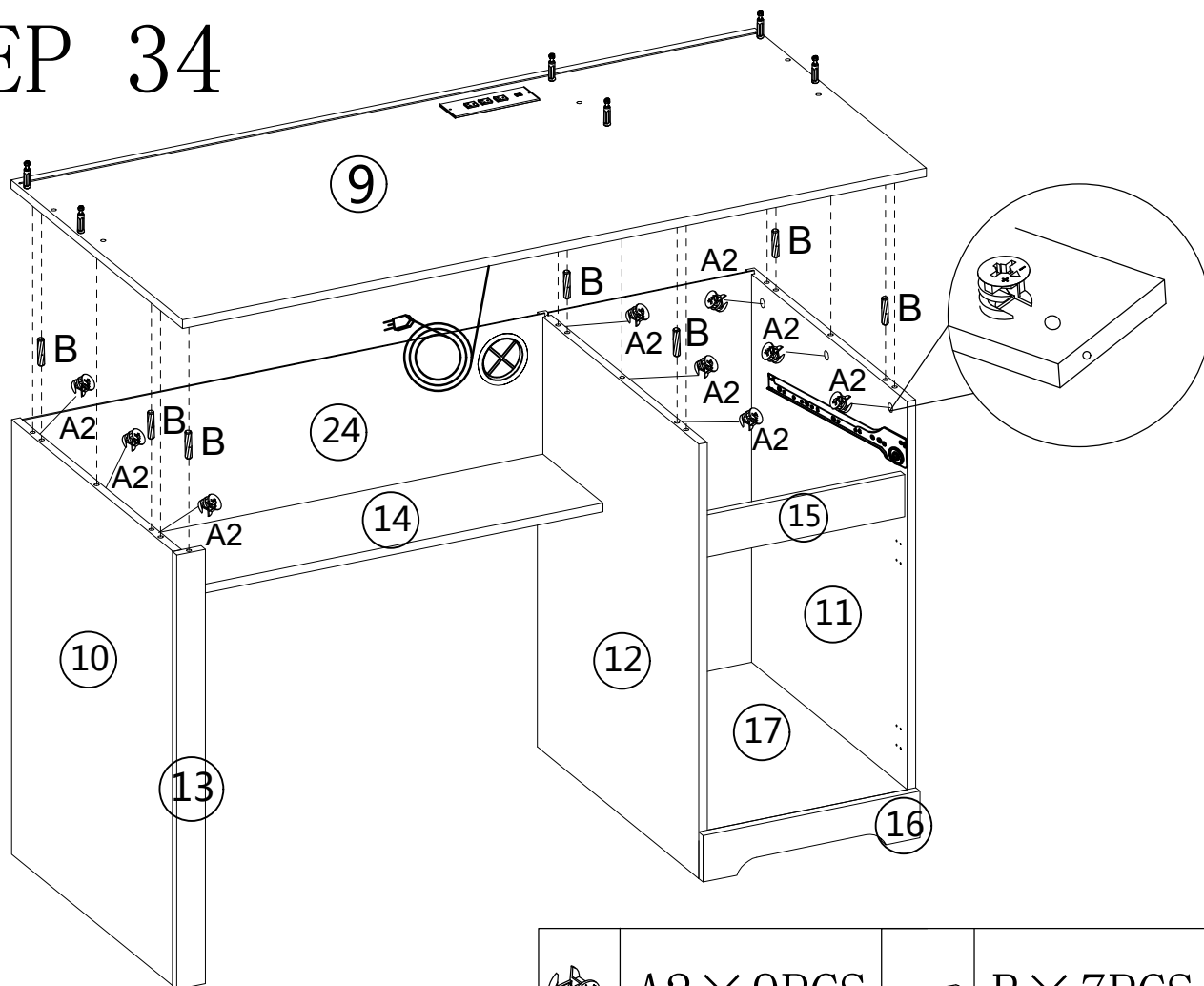


STEP 33



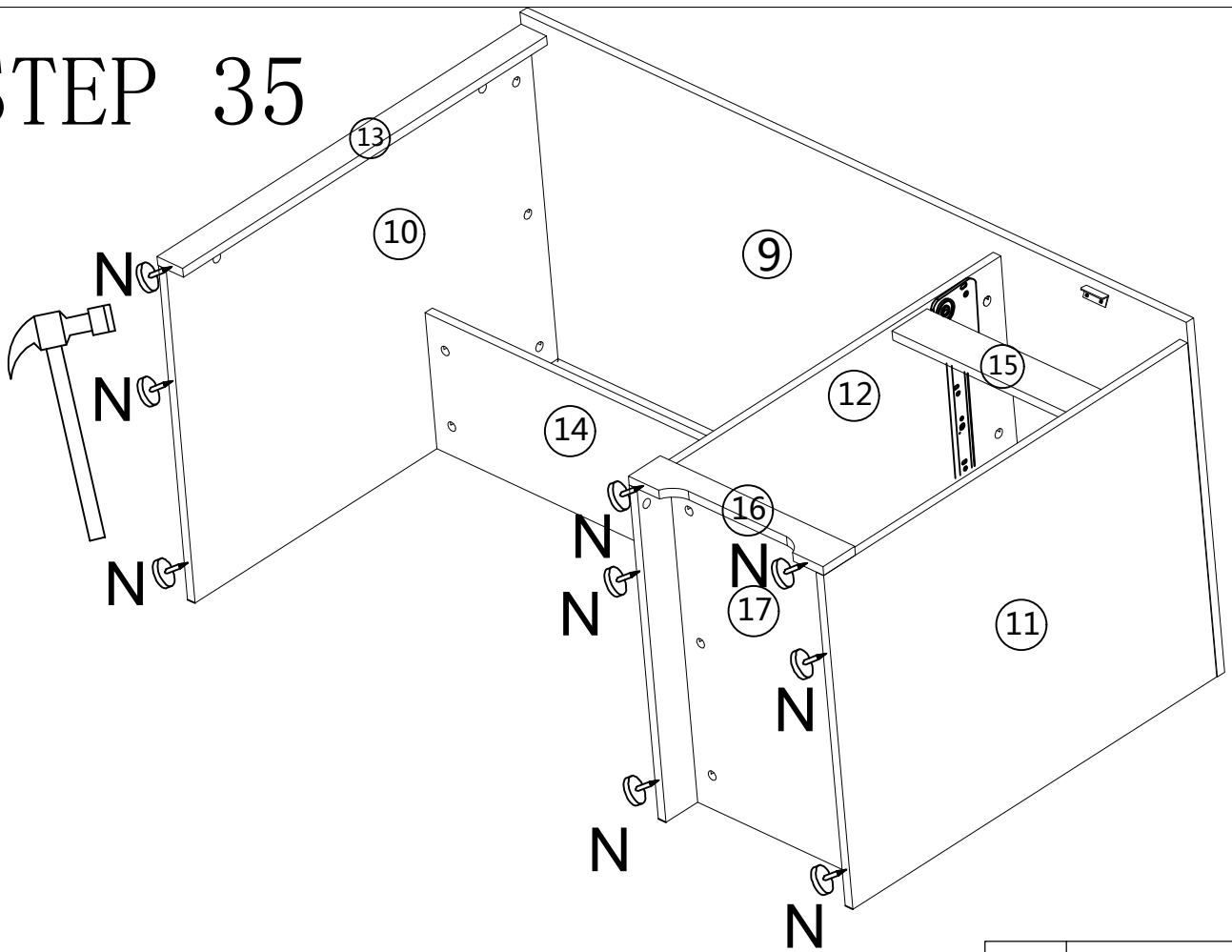
	A1 × 15PCS		C × 2PCS
	G × 1PC		I × 1PC

STEP 34



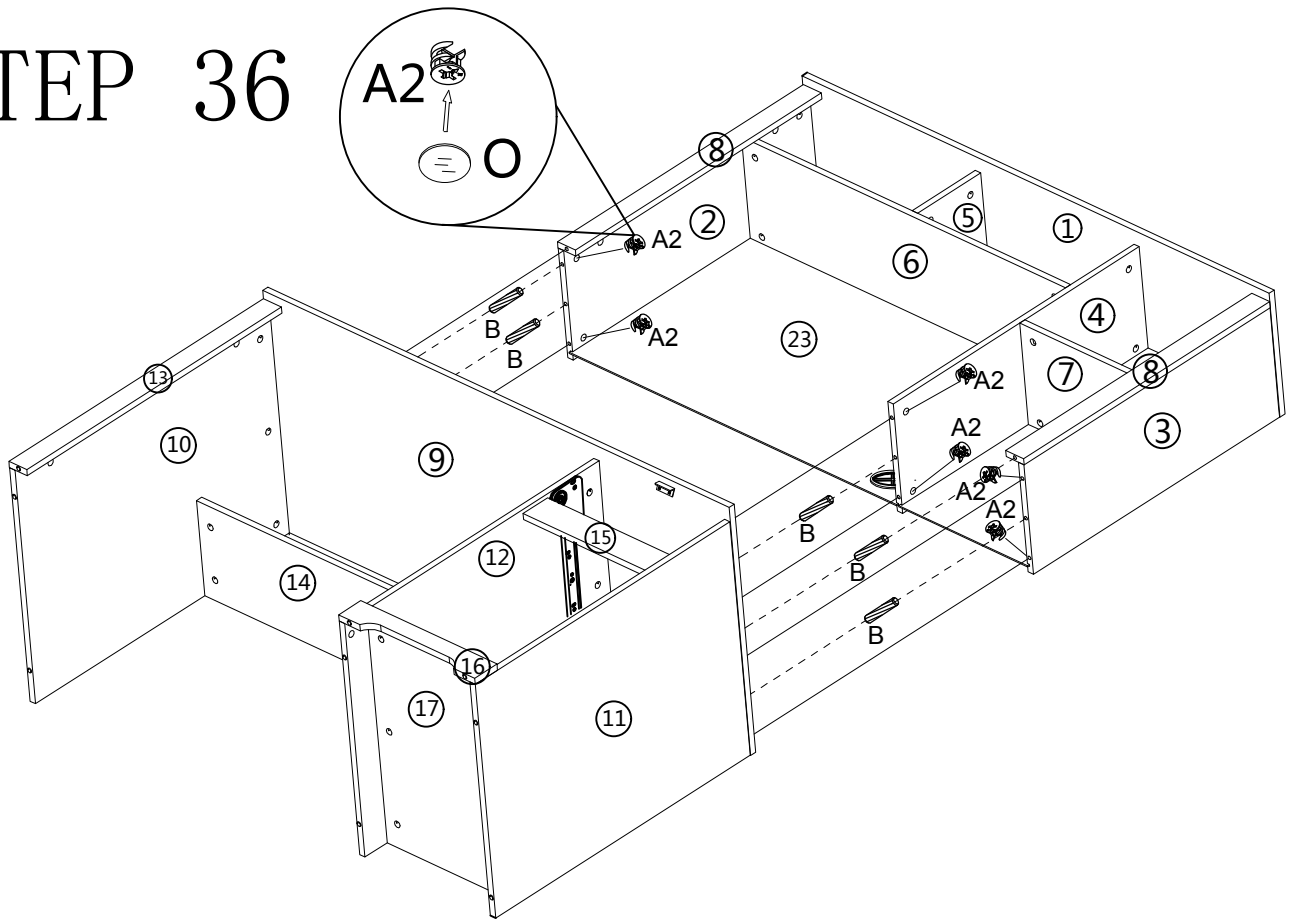
	A2 × 9PCS		B × 7PCS
--	-----------	--	----------




STEP 35



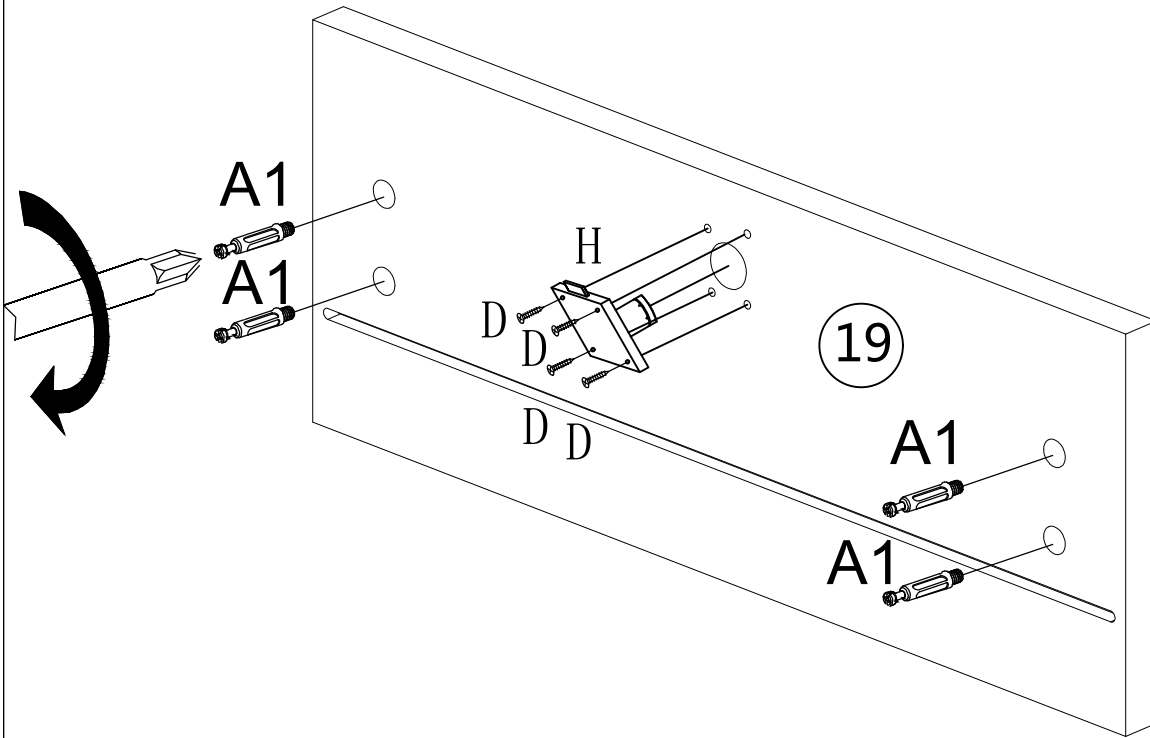
	N × 9PCS
---	----------

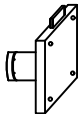
STEP 36



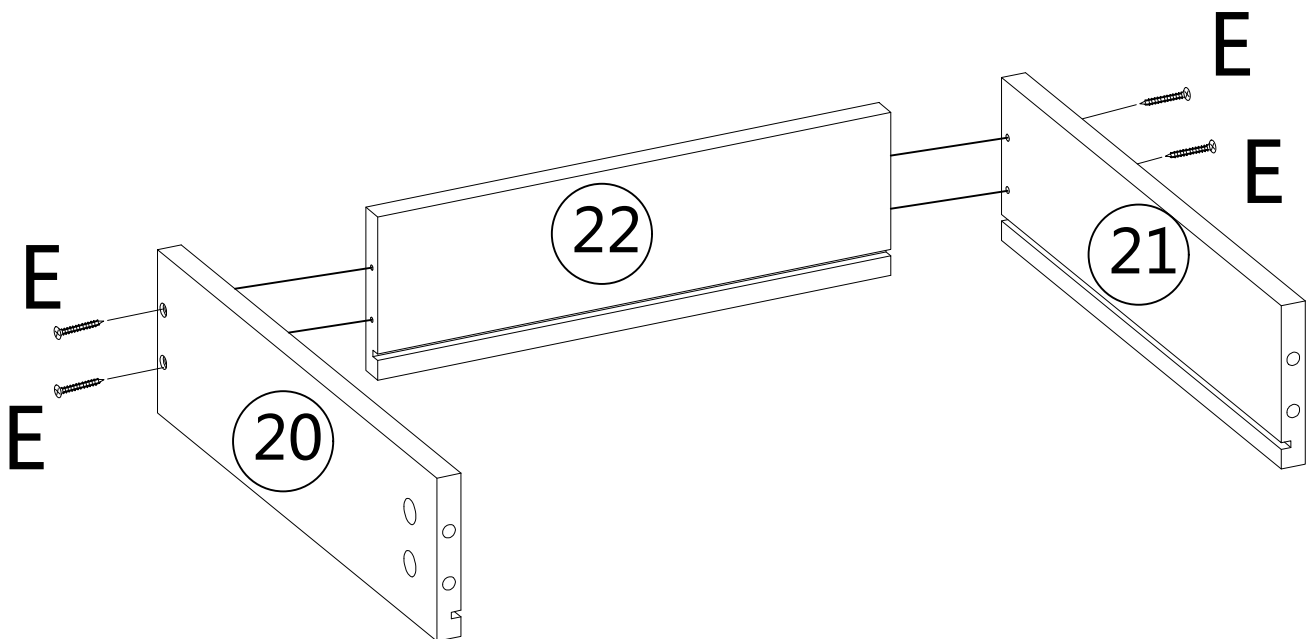
	A2 × 6PCS		B × 5PCS		O × 53PCS
---	-----------	---	----------	---	-----------


STEP 37



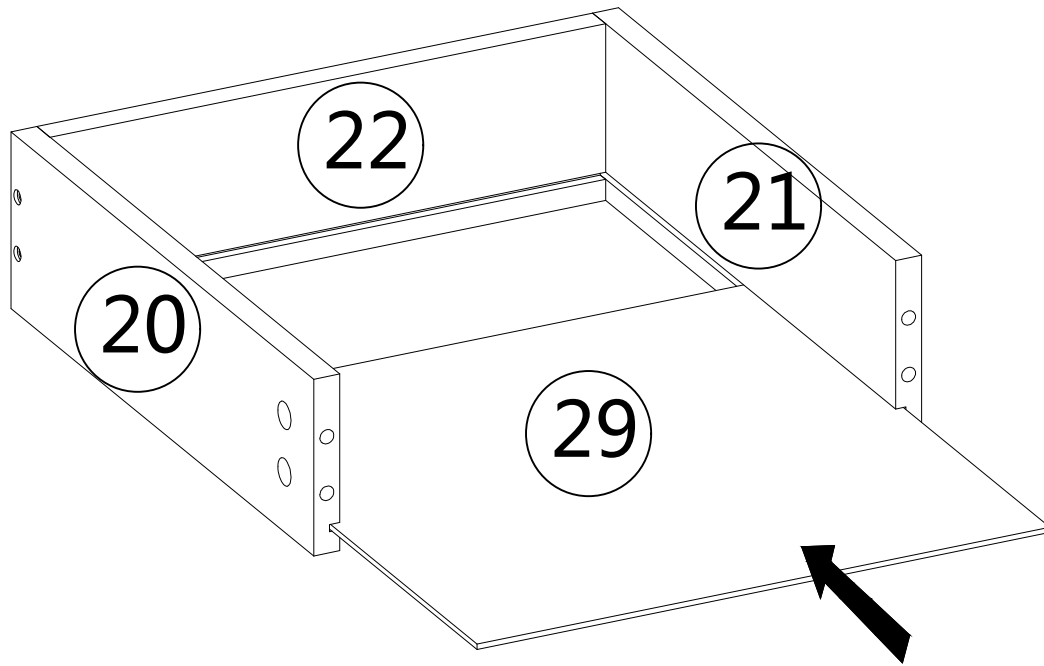
	A1 × 4PCS		D × 4PCS		H × 1PC
---	-----------	---	----------	--	---------

STEP 38

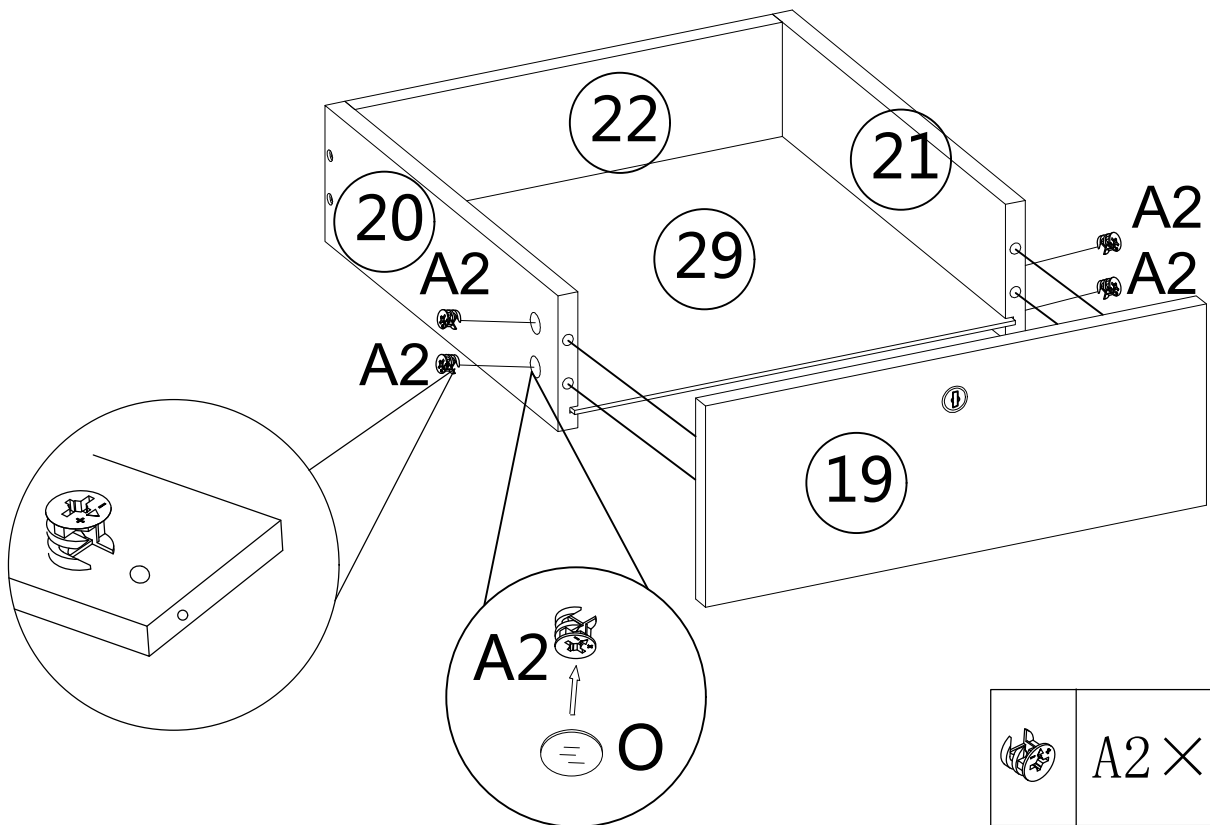




	E × 4PCS
---	----------

STEP 39

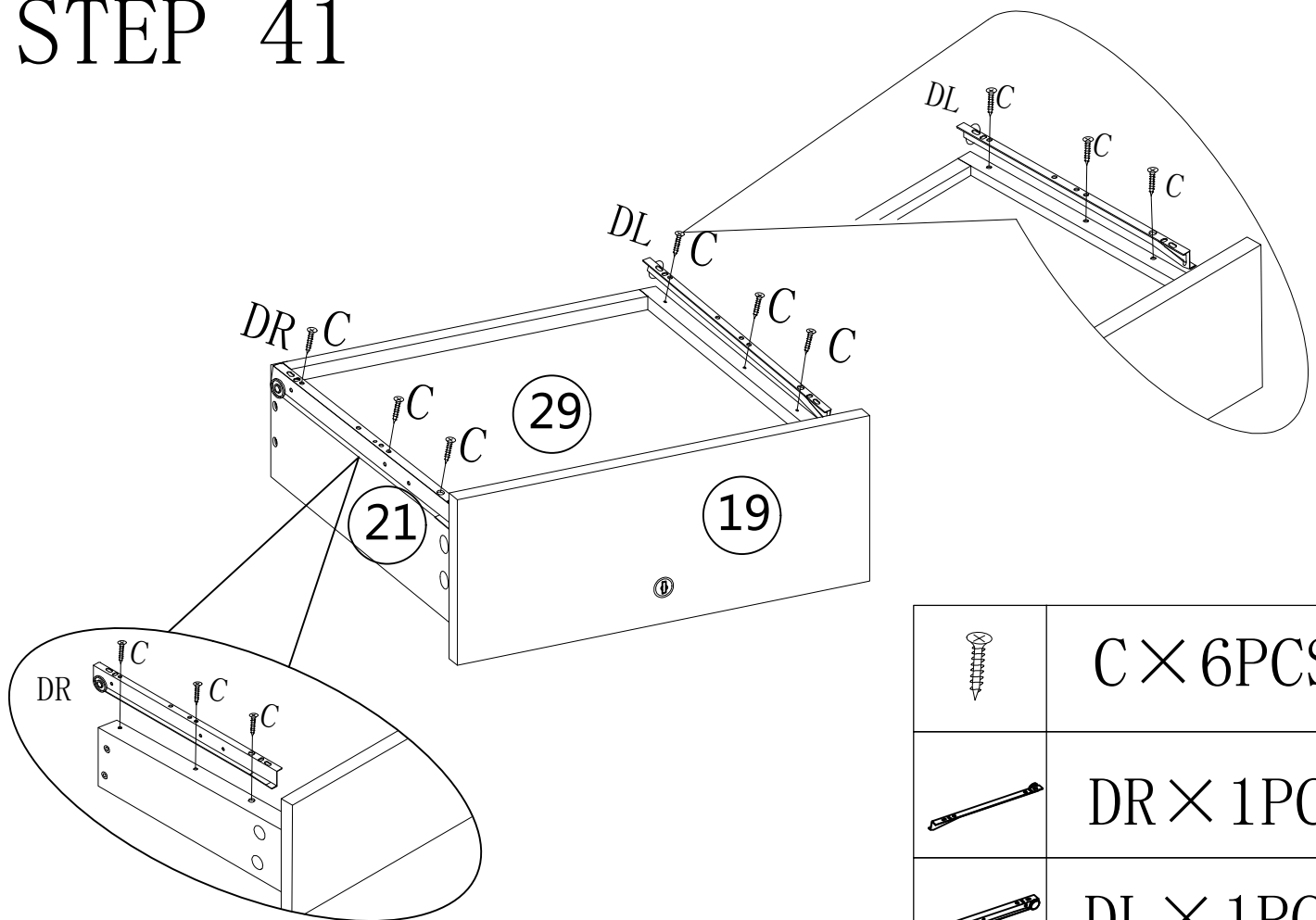



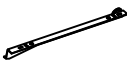

STEP 40



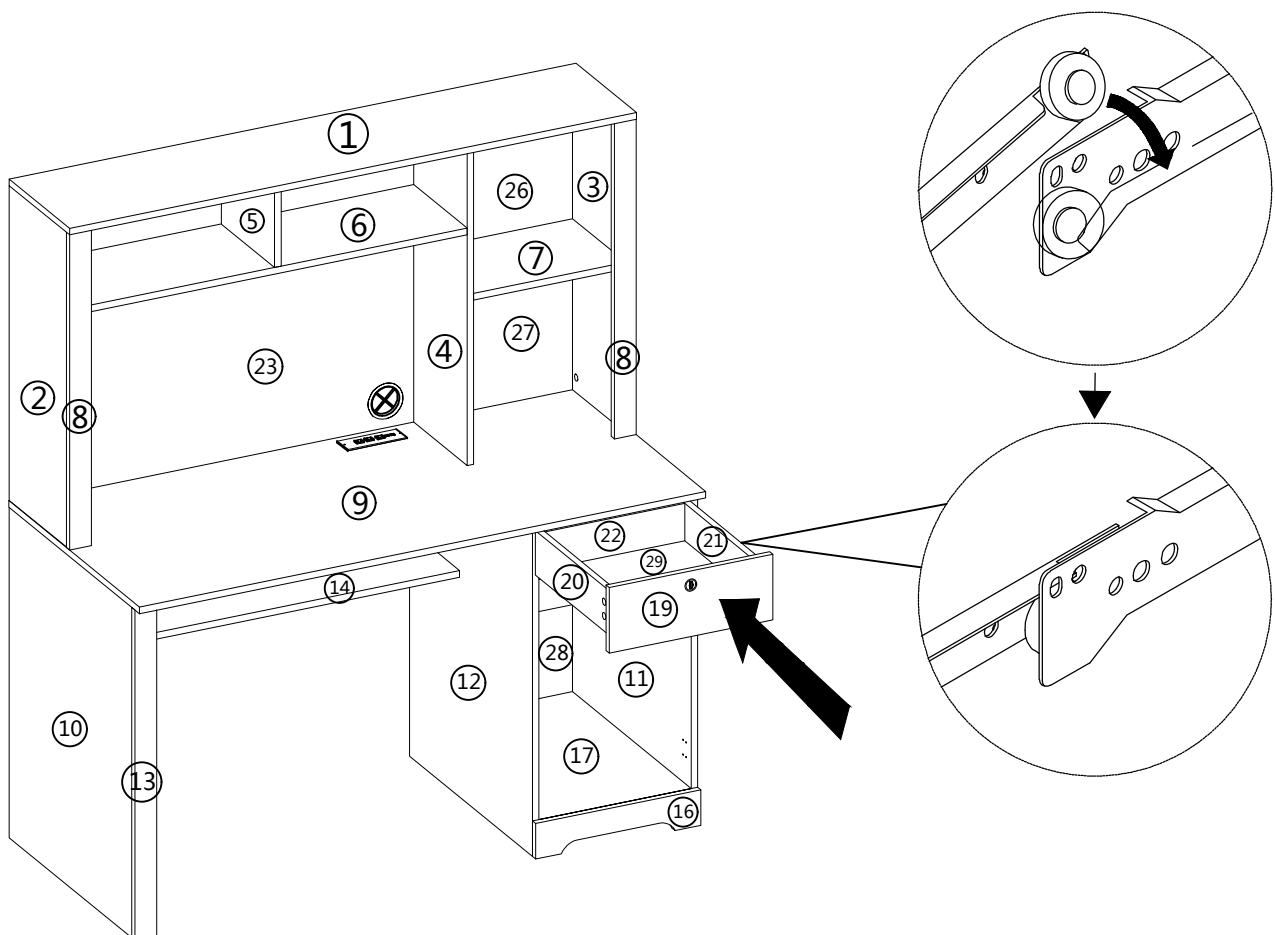
	A2 × 4PCS
	O × 4PCS

STEP 41

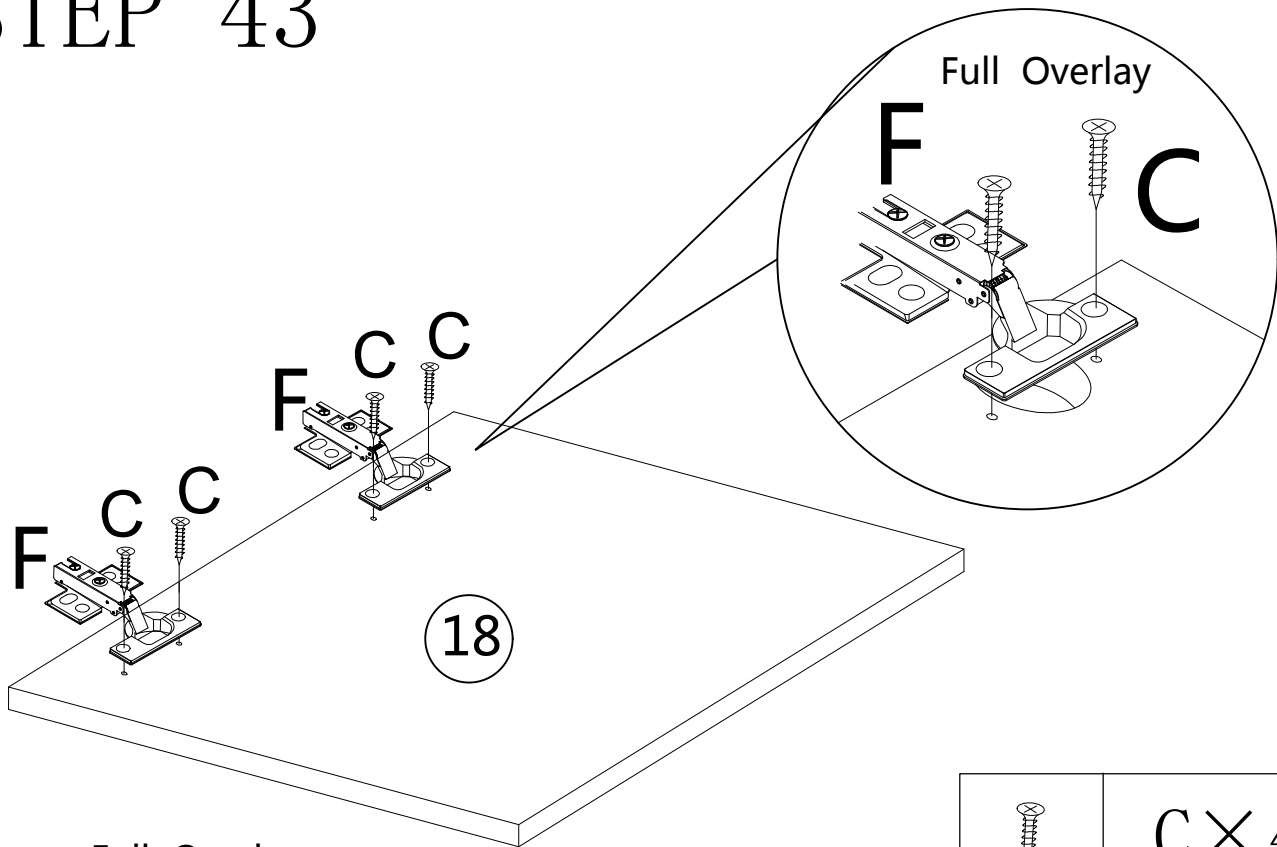


	C × 6PCS
	DR × 1PC
	DL × 1PC


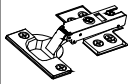
STEP 42



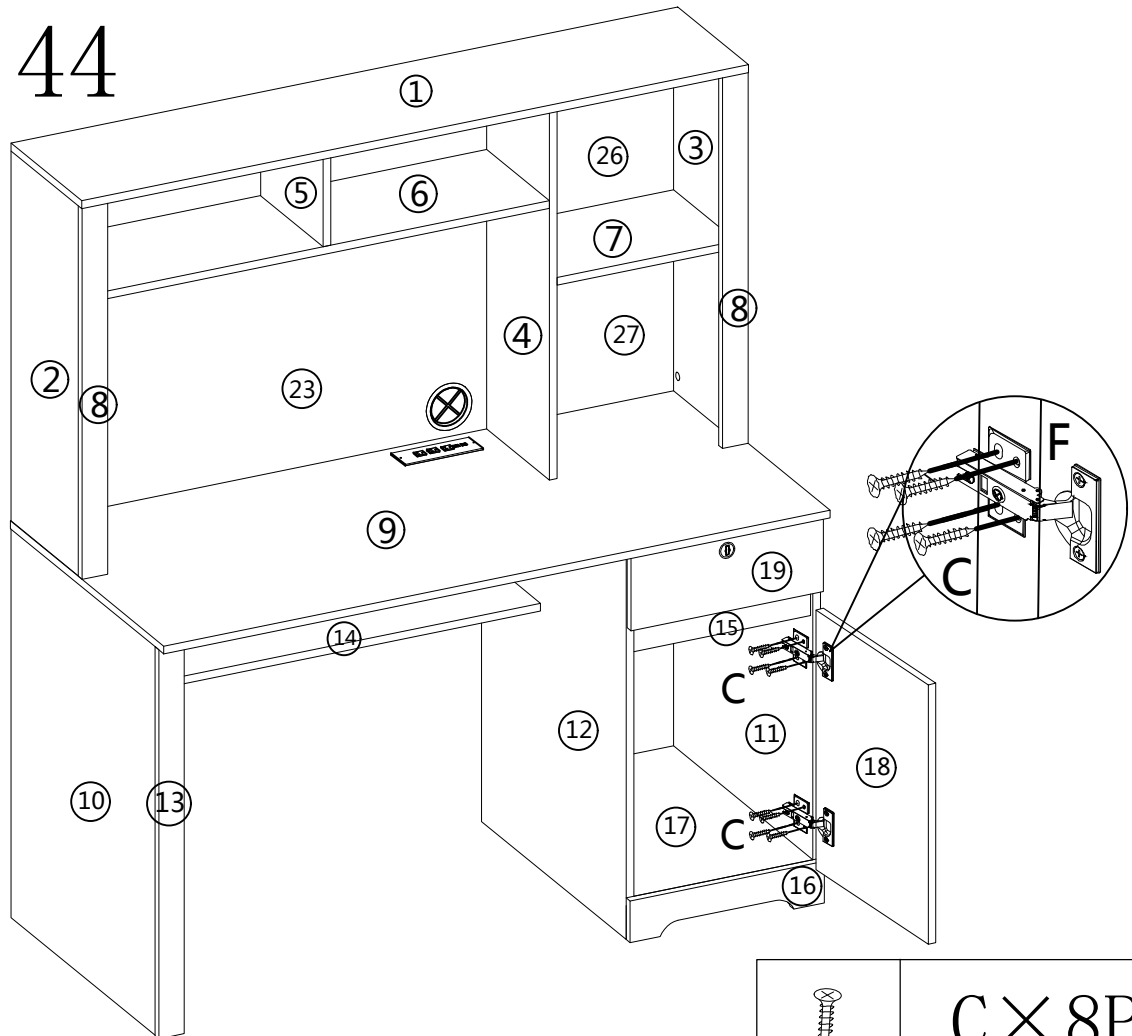
STEP 43




Full Overlay

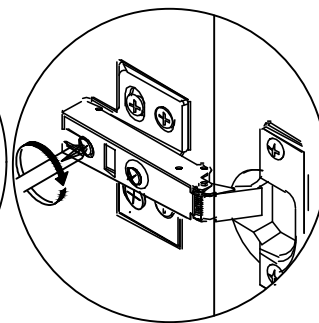
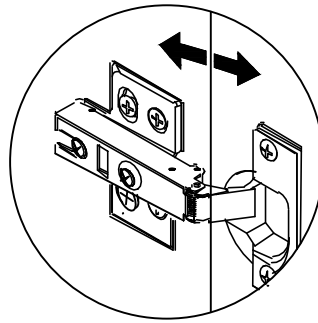
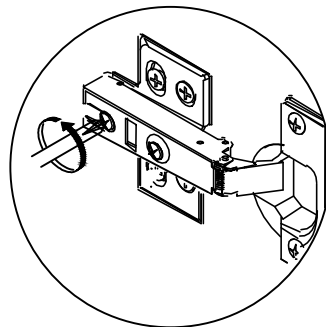
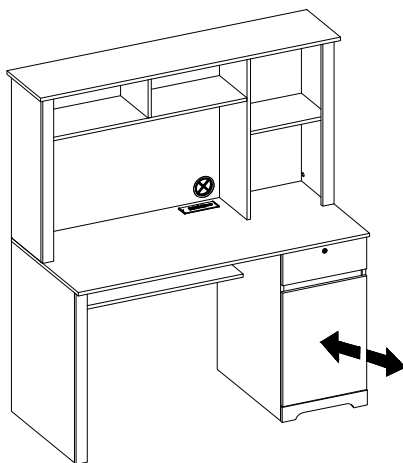
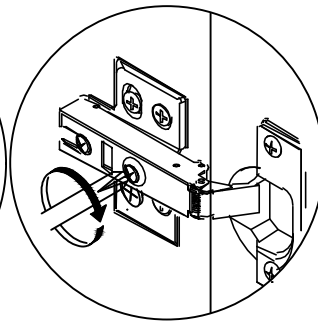
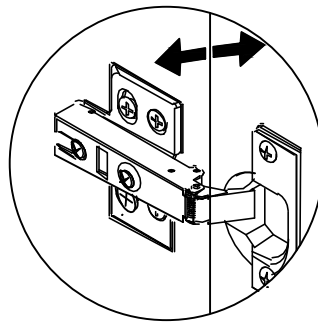
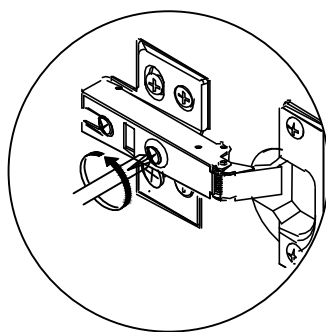
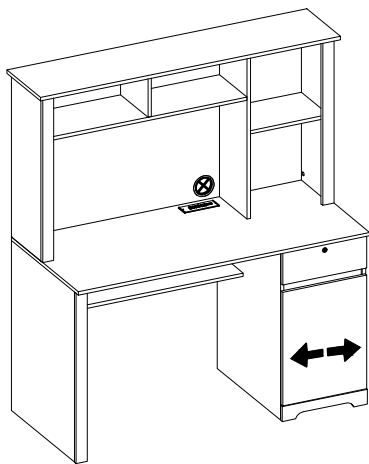
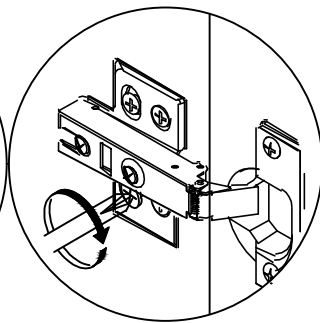
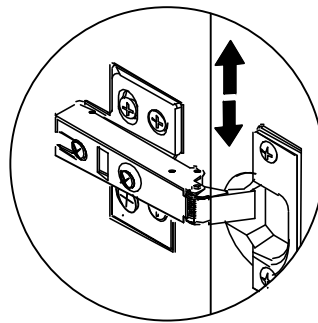
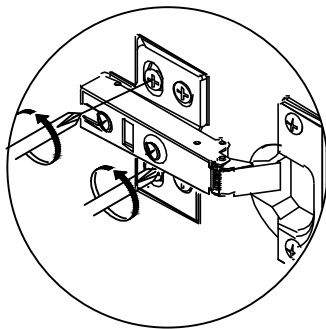
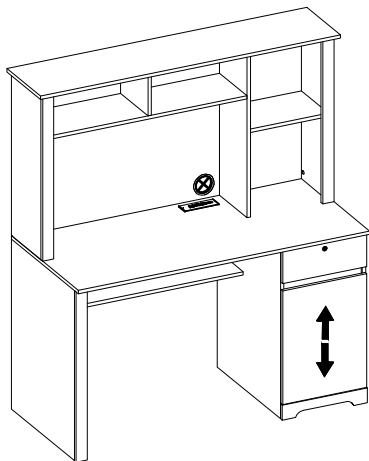
	C × 4PCS
	F × 2PCS

STEP 44

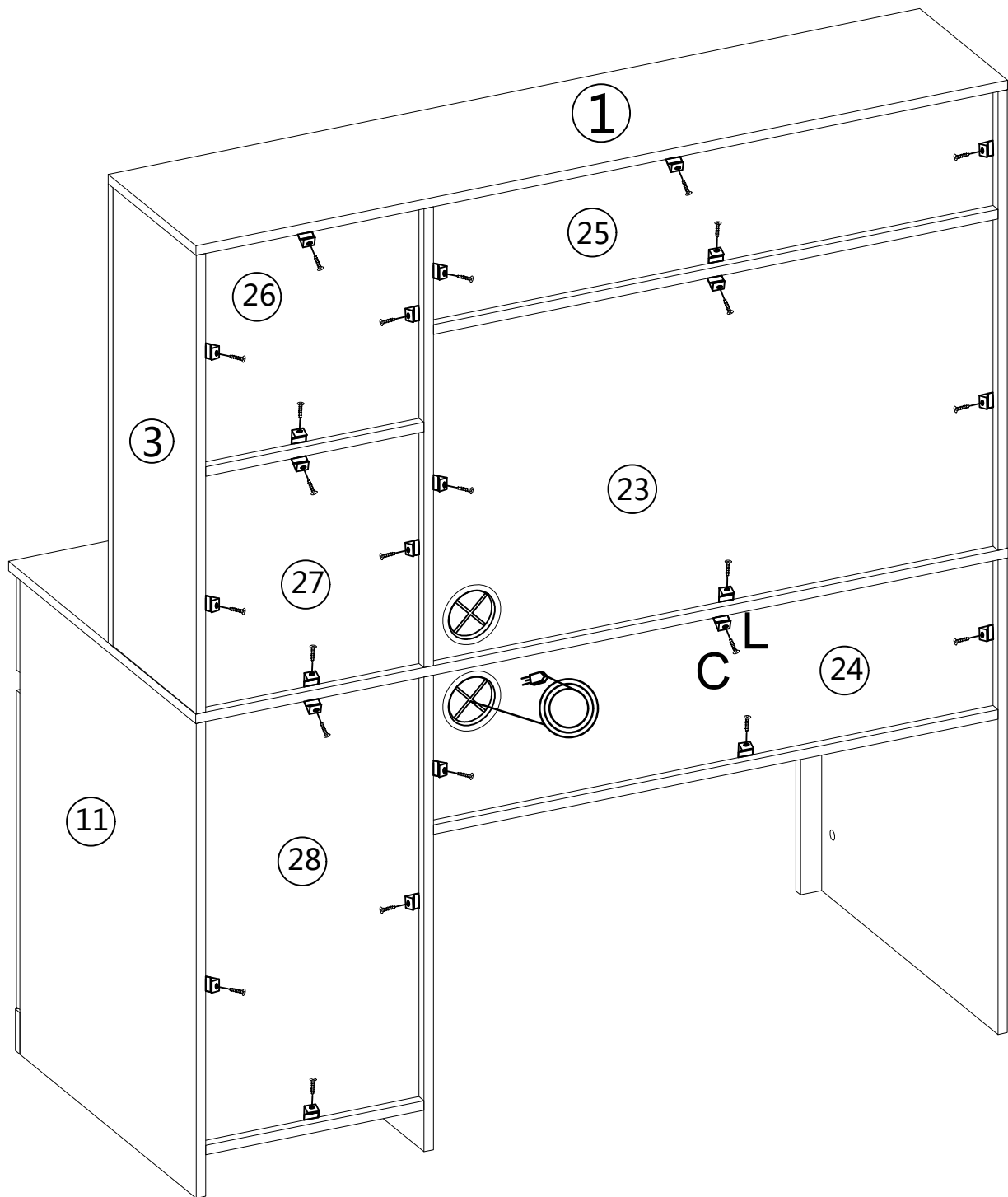




	C × 8PCS
---	----------

STEP 45

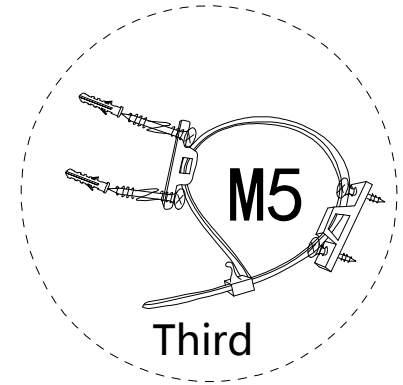
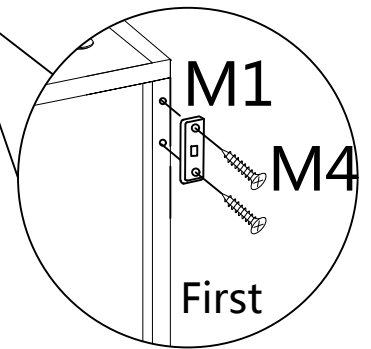
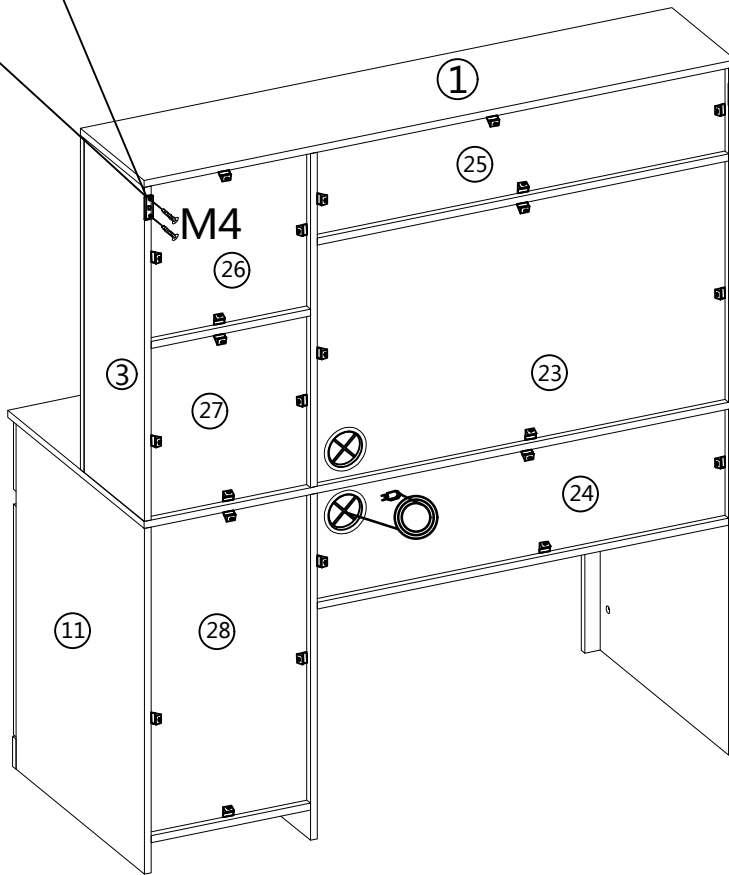
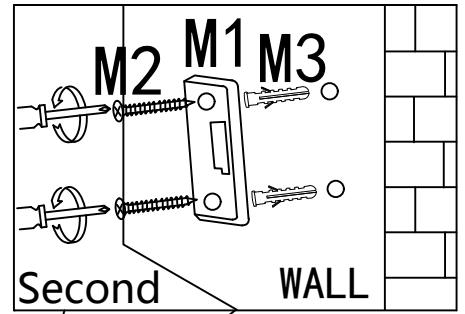
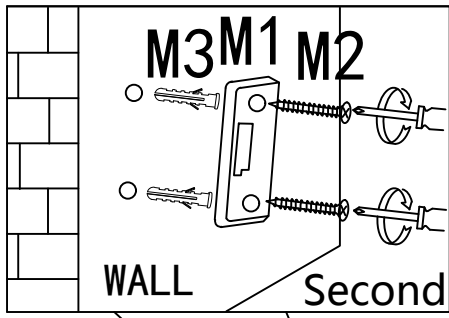



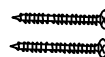
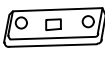
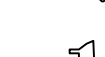


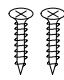
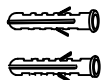


STEP 46



	C × 24PCS
	L × 24PCS

STEP 47



		M1 × 4PCS
		M2 × 4PCS
		M3 × 4PCS
		M4 × 4PCS
		M5 × 2PCS

END

