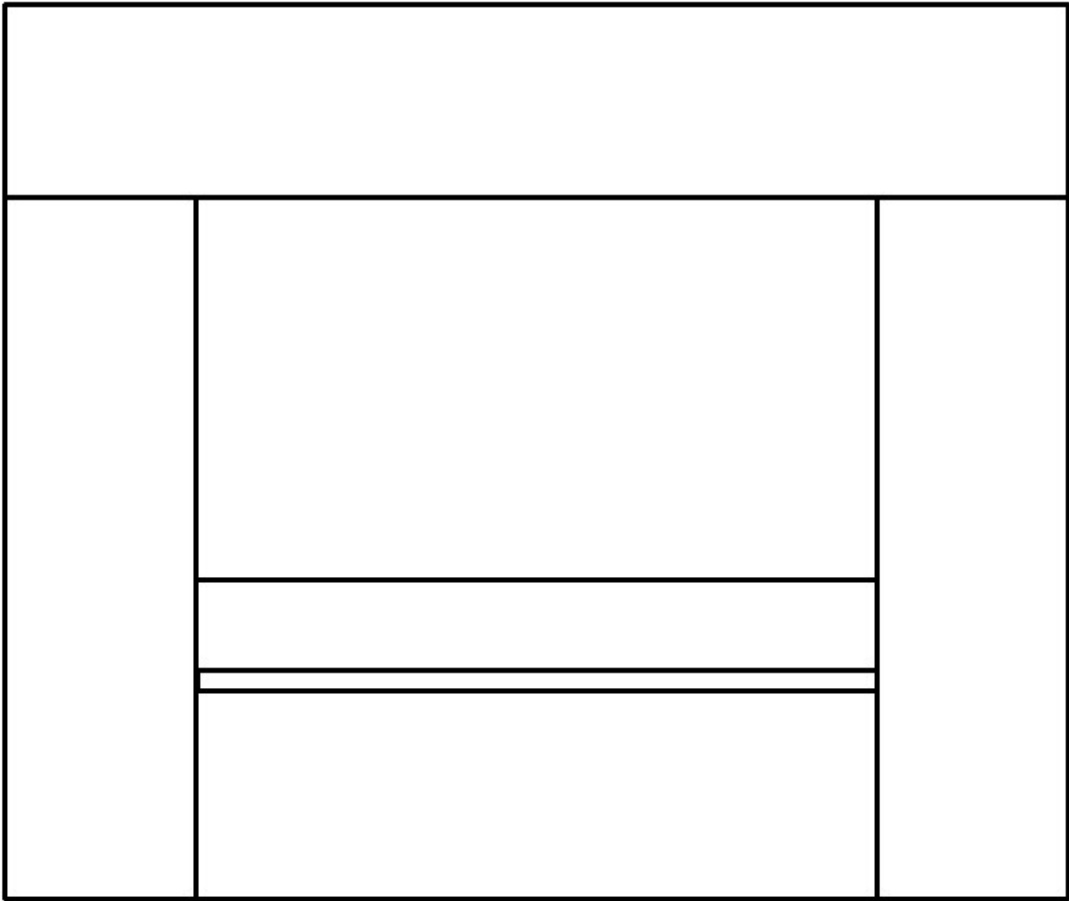


# Installation and Users Instructions



**Model: E146S Fireplace Mantel**

For use with E145R - 2kW Electric Fire

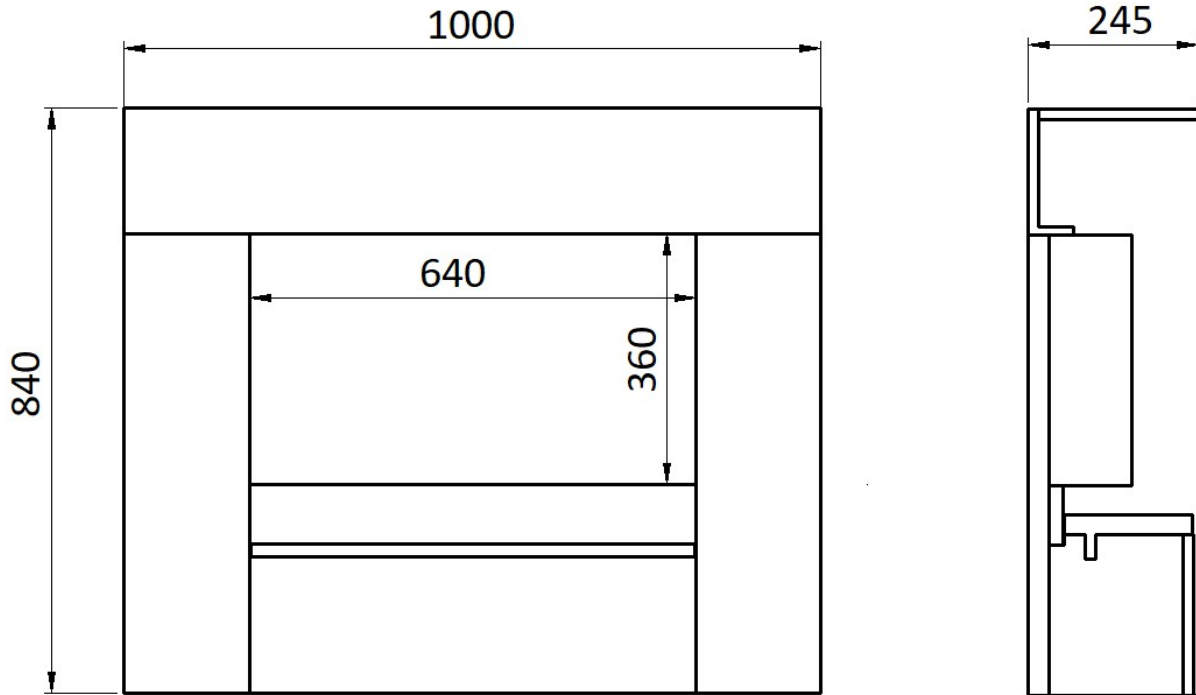
**PLEASE READ THIS MANUAL BEFORE INSTALLING AND USING APPLIANCE.  
INSTALLER: DO NOT DISCARD THIS MANUAL – LEAVE WITH THE CUSTOMER  
SAVE THESE INSTRUCTIONS FOR FUTURE REFERENCE.**

**Appliance Development Services Ltd**

**Tel 01723 583227**

## SECTION 1 DIMENSIONS

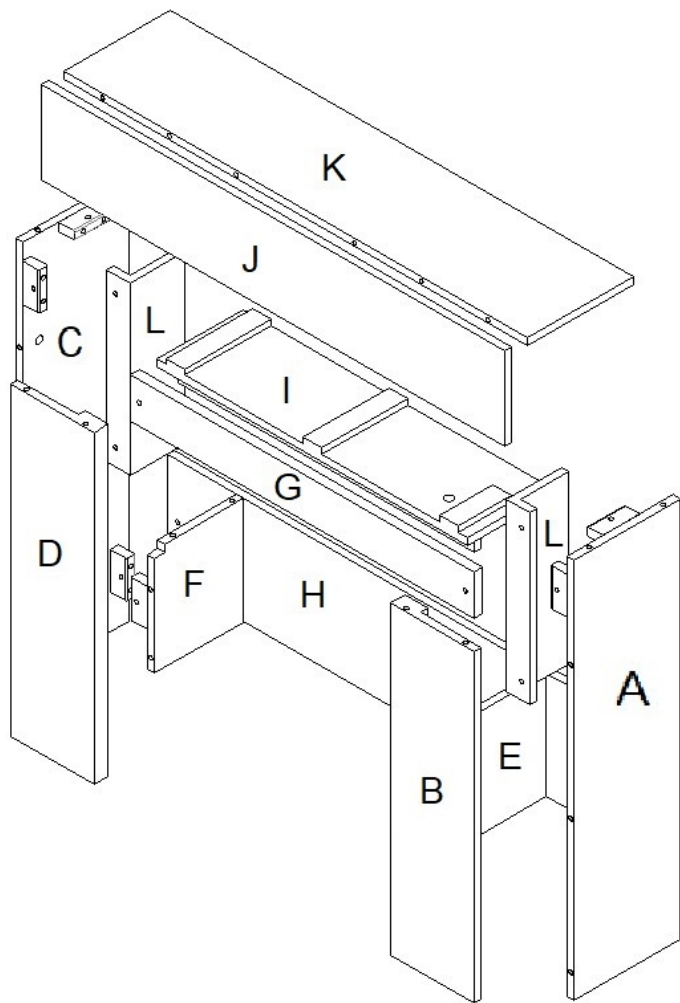
Dimensions in mm




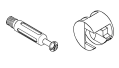


## SECTION 2 ASSEMBLY AND INSTALLATION

### 2.1 Unpack

- Open the package carefully and remove all pieces. Carefully inspect each part for any damage before you begin assembly.
- Make sure that you have all the parts listed below before assembling.

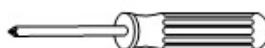


Nr.	Name	Stück
A	Right side panel	1
B	Right front panel	1
C	Left side panel	1
D	Left front panel	1
E	Right supporting panel	1
F	Left supporting panel	1
G	Front bottom panel	1
H	Rear supporting panel	1
I	Base panel	1
J	Front top panel	1
K	Top panel	1
L	Internal side panel	2
M	Wood dowel 	20
N	Screws M6*30mm 	15
O	Washer 	15
P	Cam and pin fixings 	11

**NOTE:** left and right of product are distinguished by its front view.

## 2.2 Before installation

Tools required: magnetic phillips screwdriver

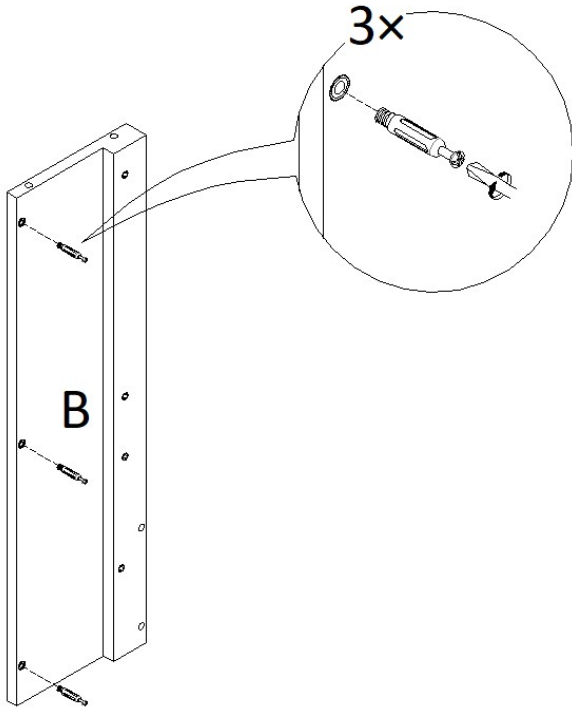


## 2.3 Installation

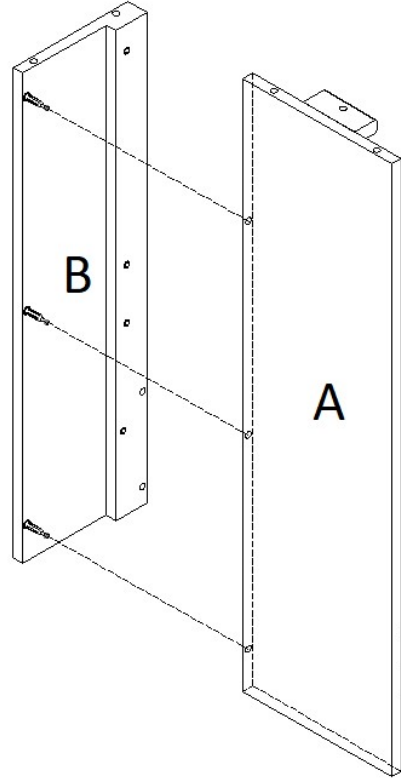
### NOTE!

- Assembly required by two adults.
- This fireplace suite must be fitted to the wall. Mirror plates are supplied with the electric fire but any other suitable concealed fixing may be used.
- Use manual screwdriver only.
- Use washer when fixing with screws. Do not overtighten bolts.
- Do not use screws of other types or models, in case that the screws are too long, causing damage to mantels.
- Only fit the fire from the back of the fireplace so as not to scratch the mantel.

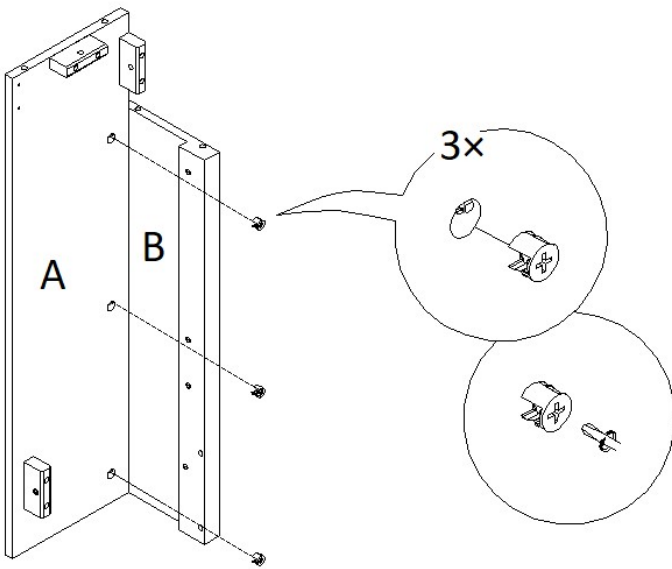
1.



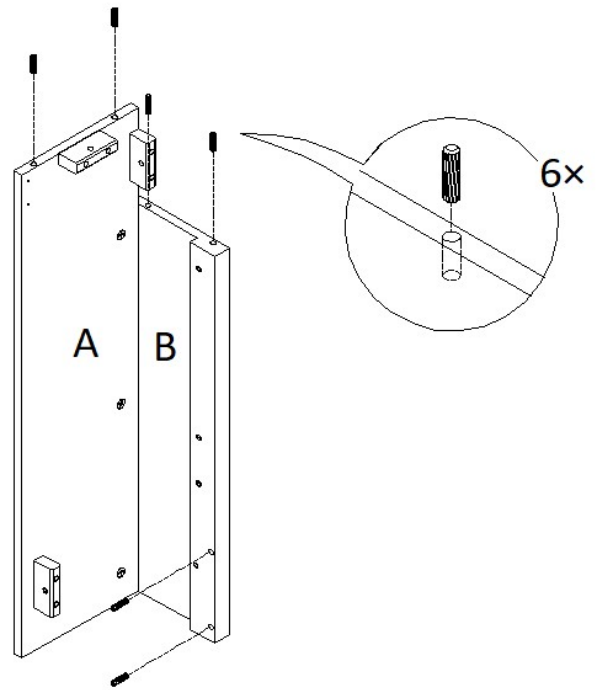
2.



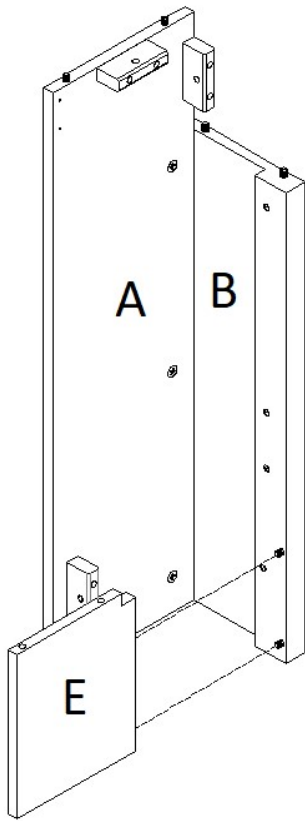
3.



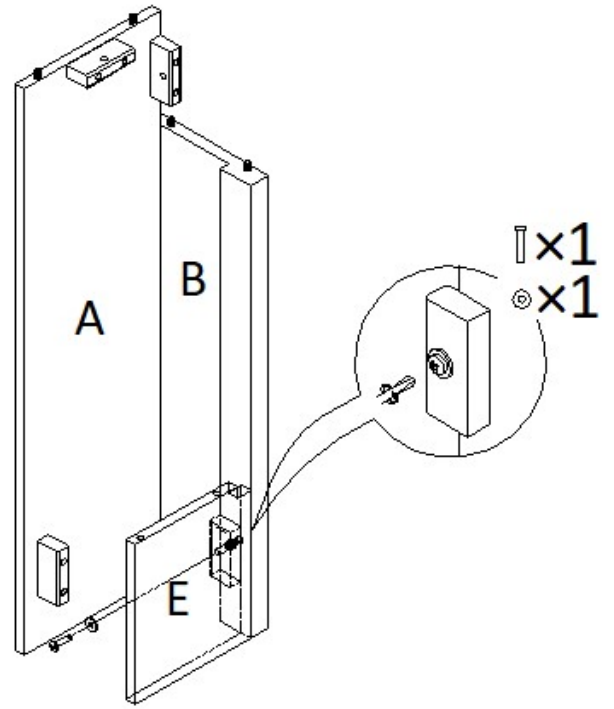
4.



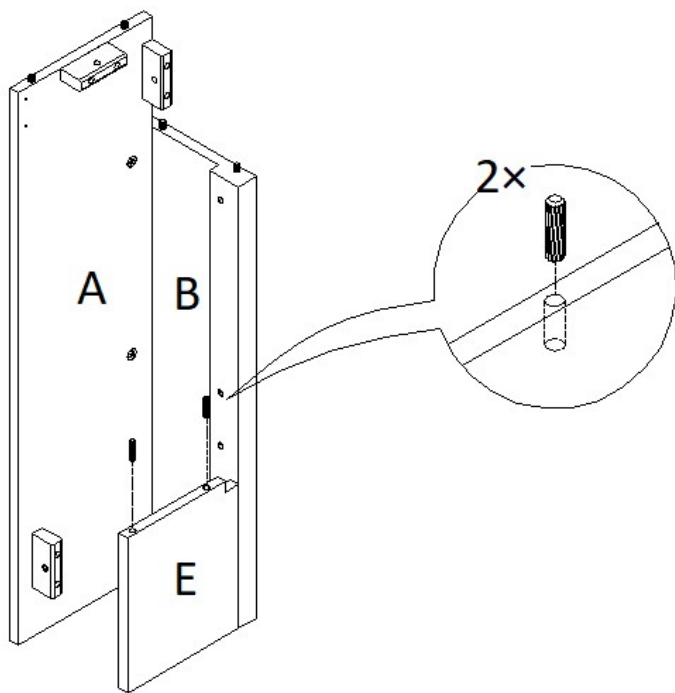
5.



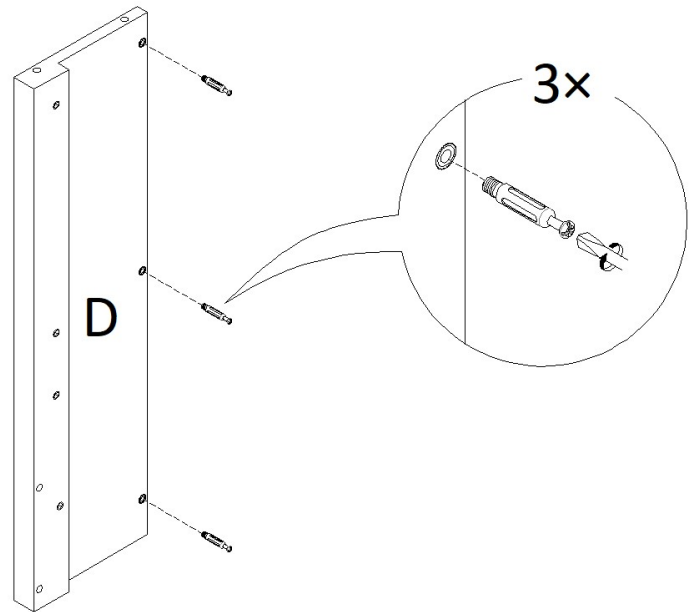
6.



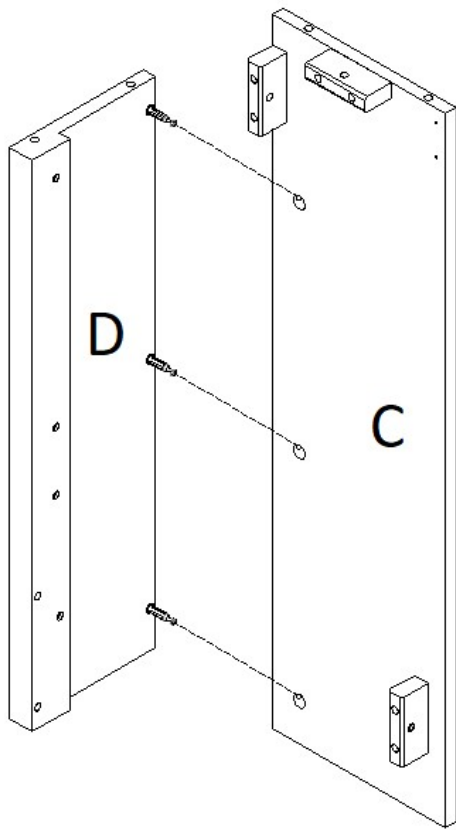
7.



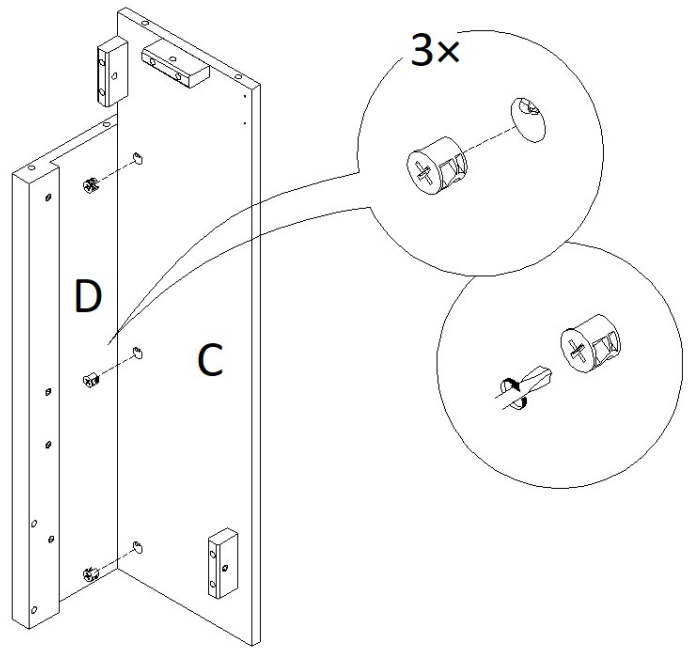
8.



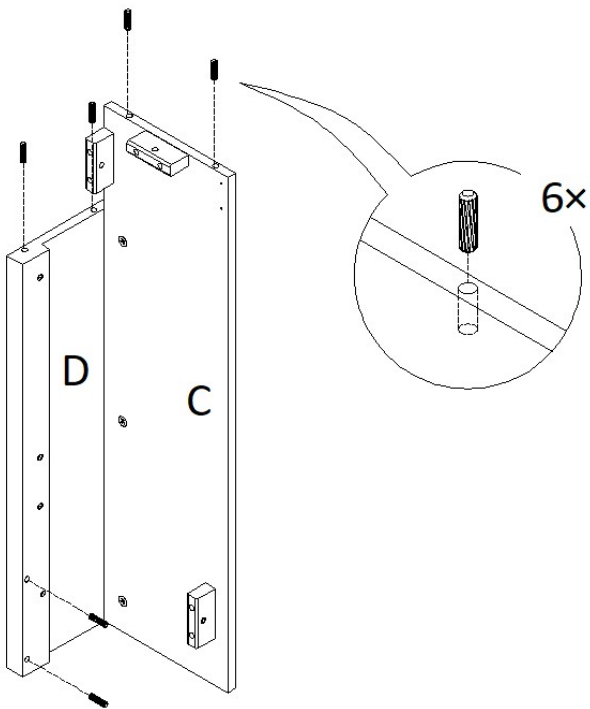
9.



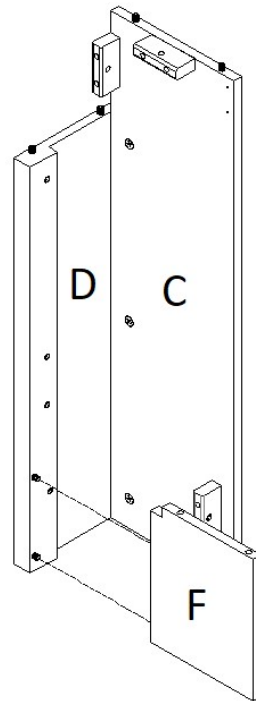
10.



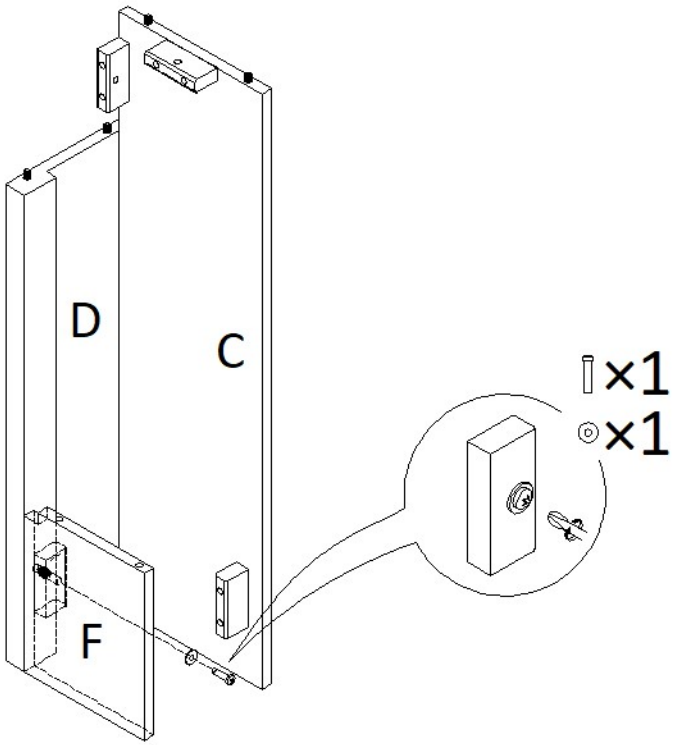
11.



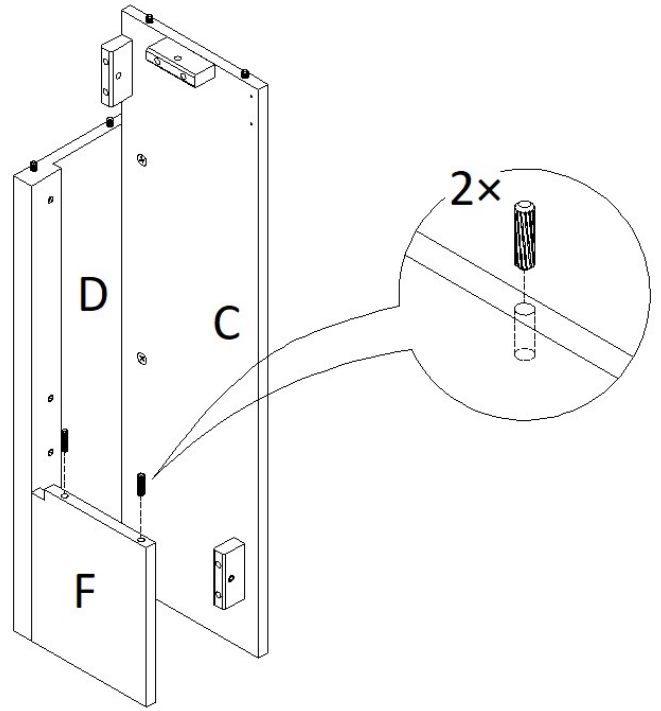
12.



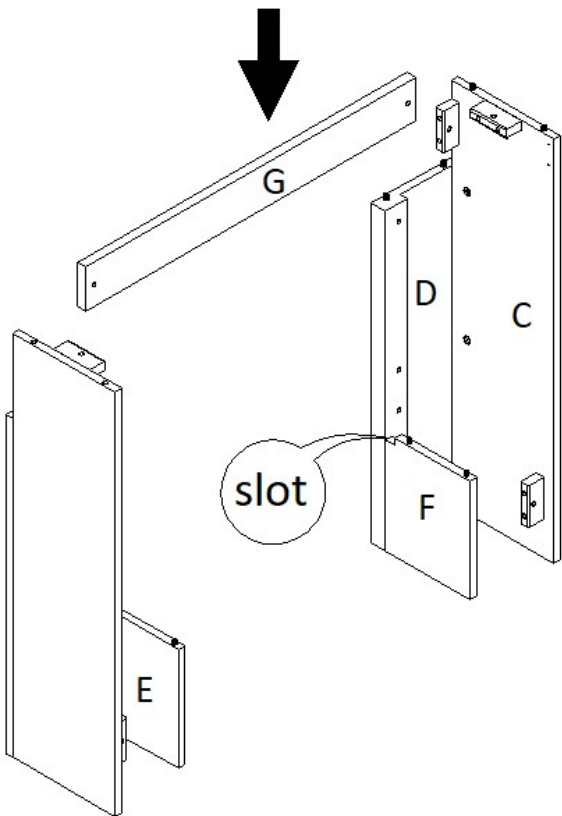
13.



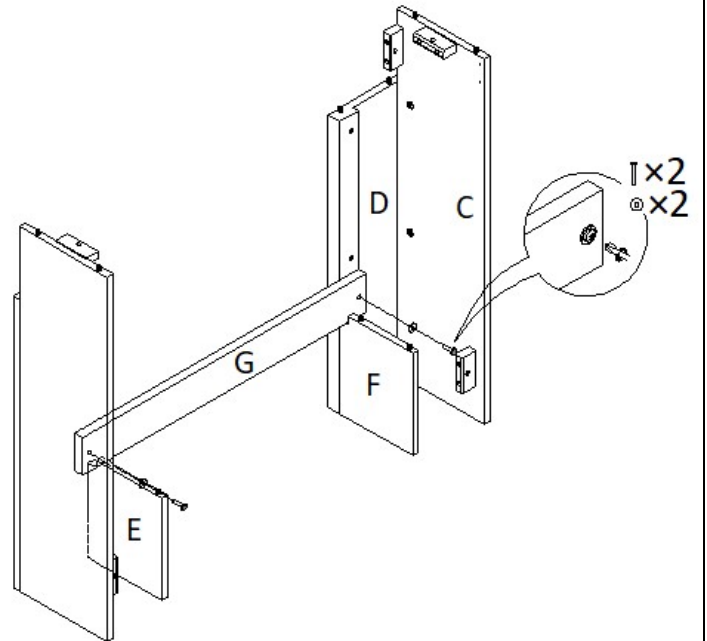
14.



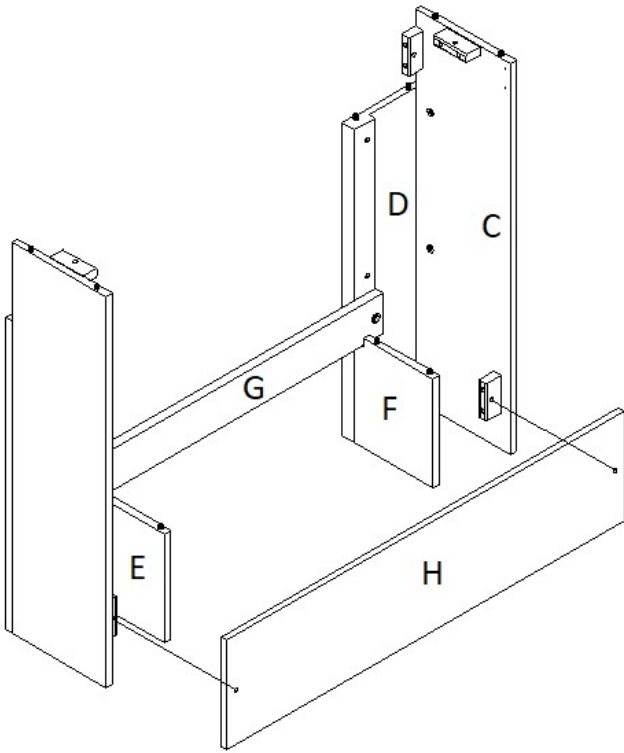
15.



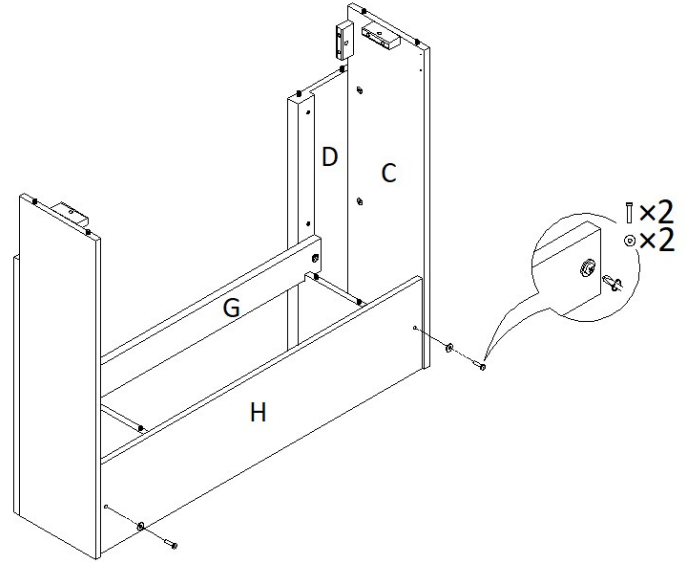
16.



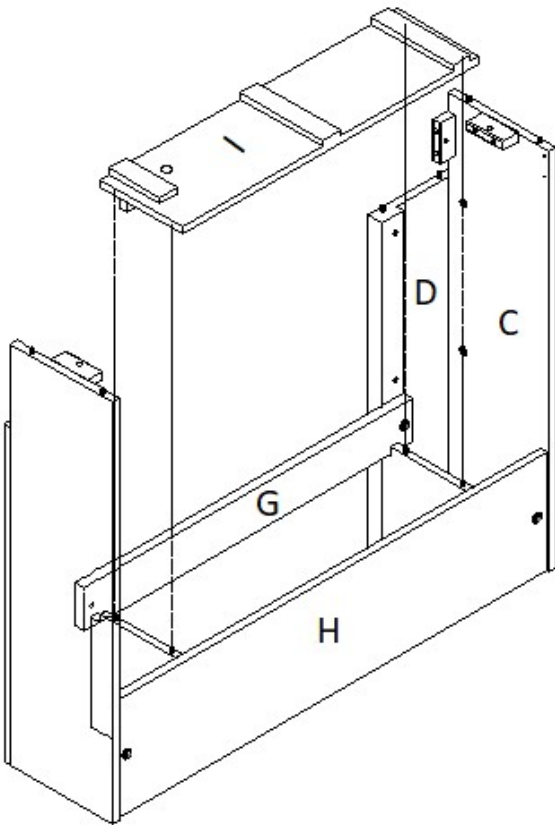
17.



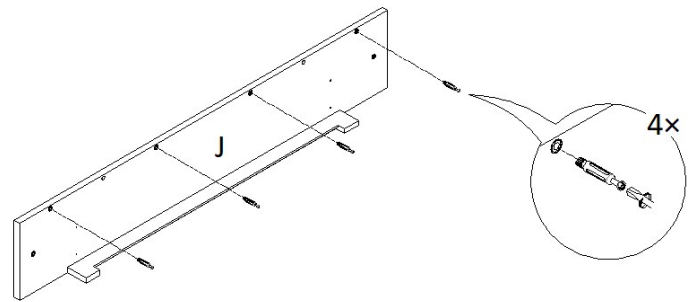
18.



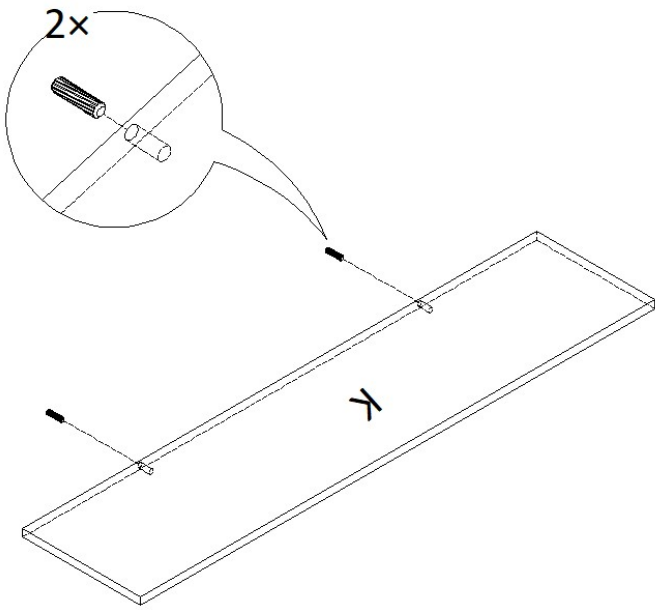
19.



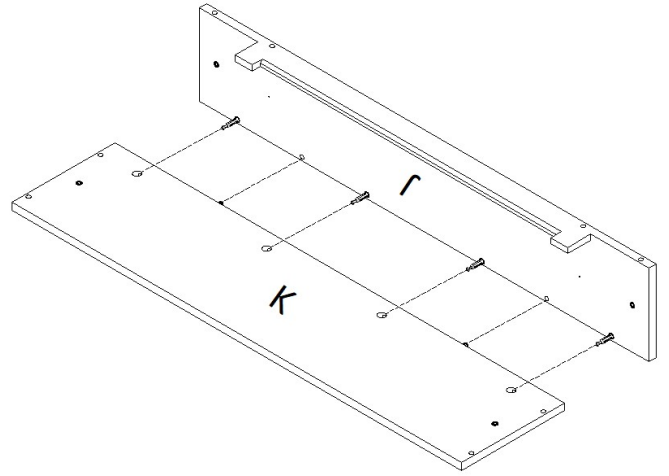
20.



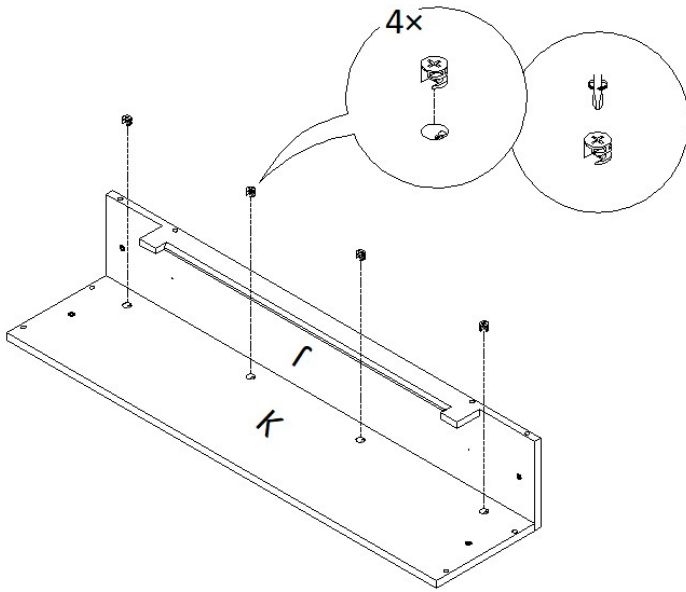
21.



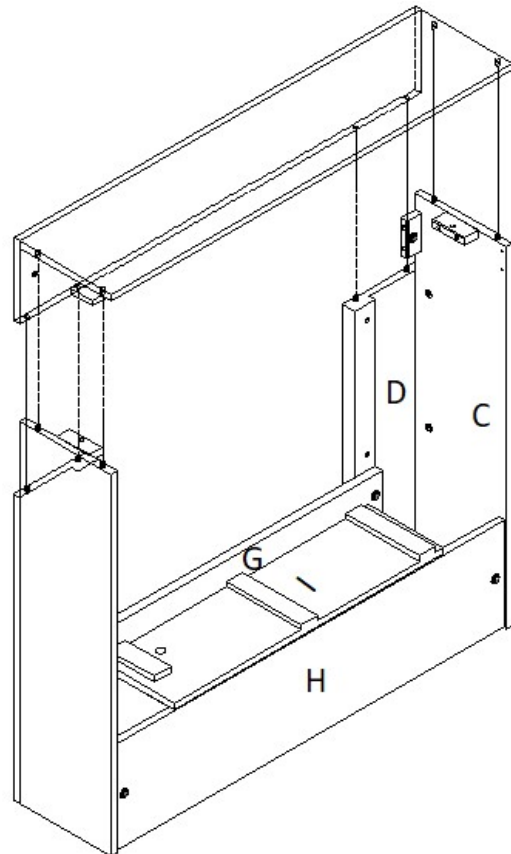
22.



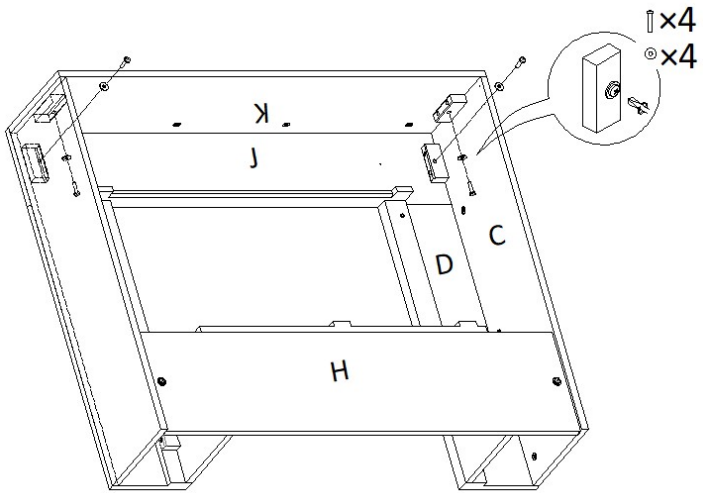
23.



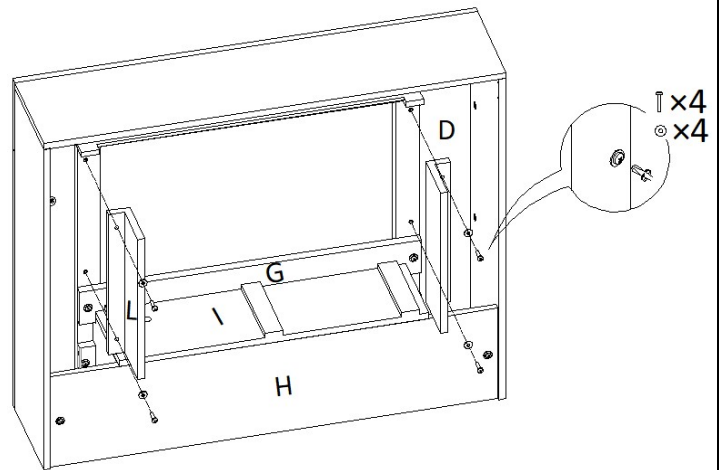
24.



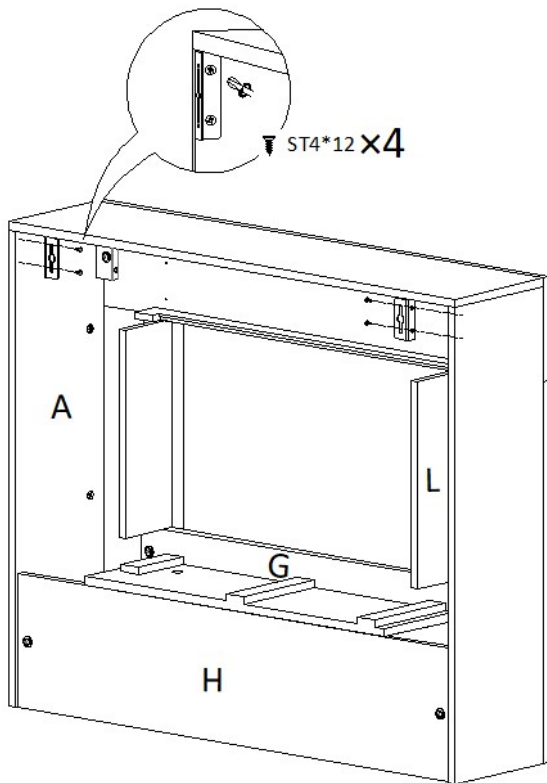
25.



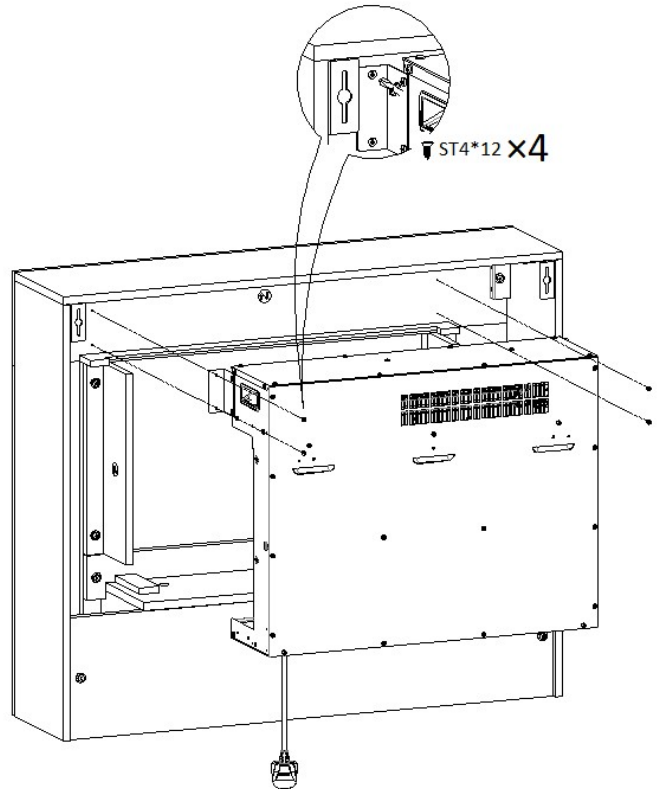
26.



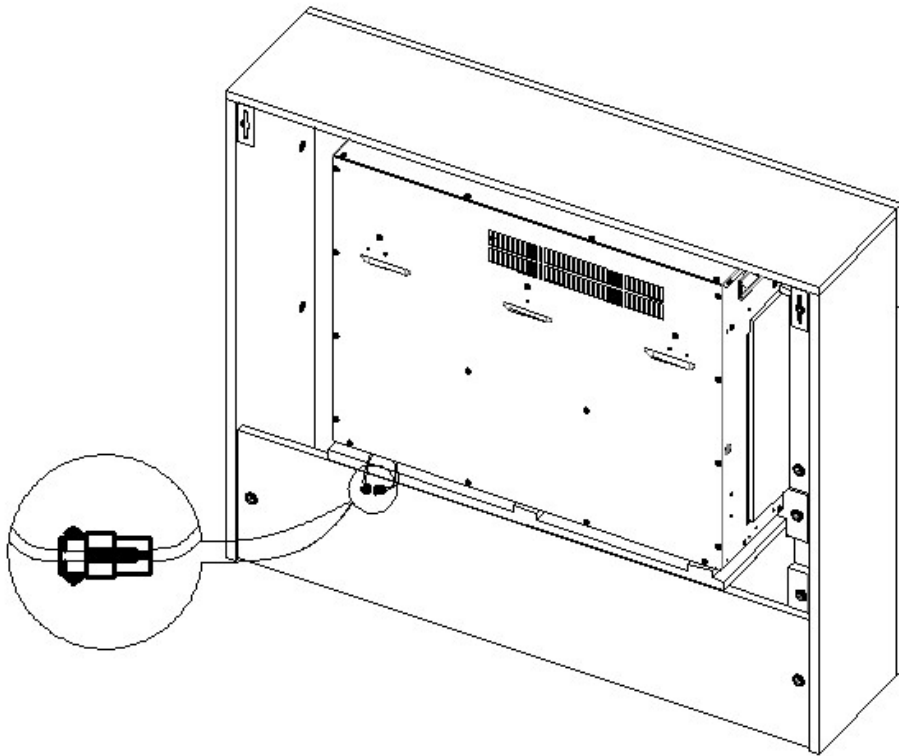
27.



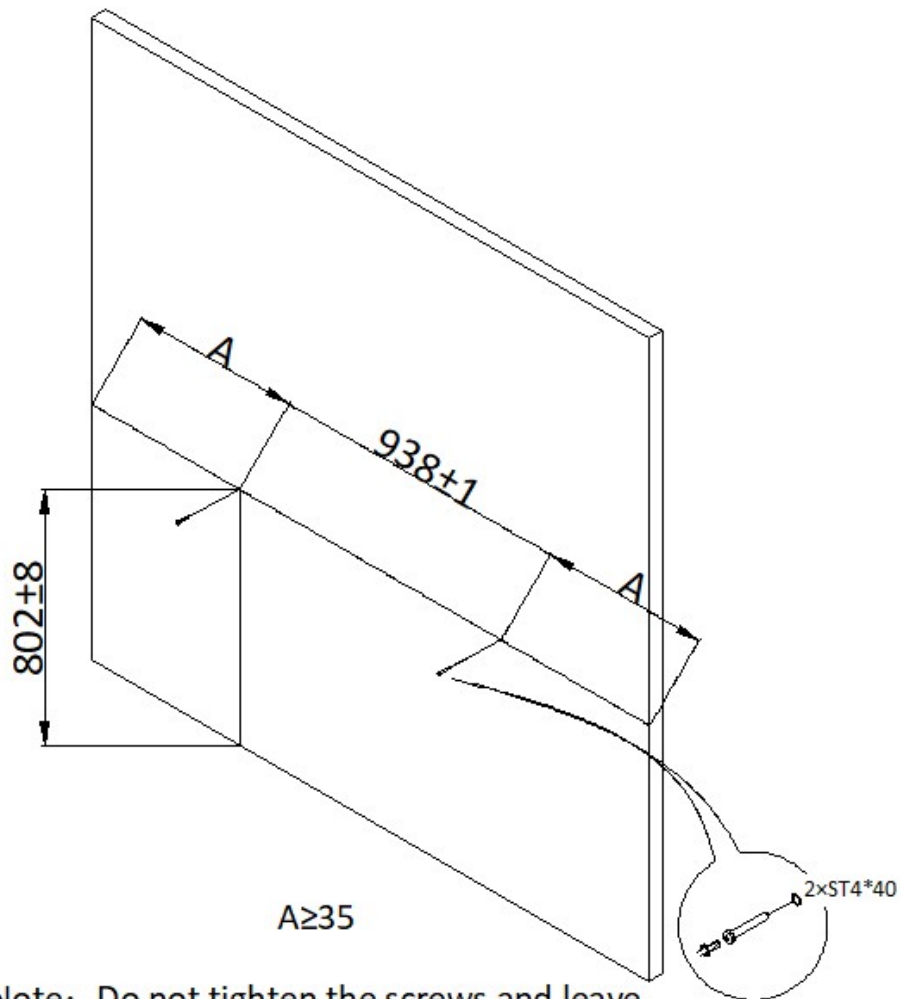
28.



29.

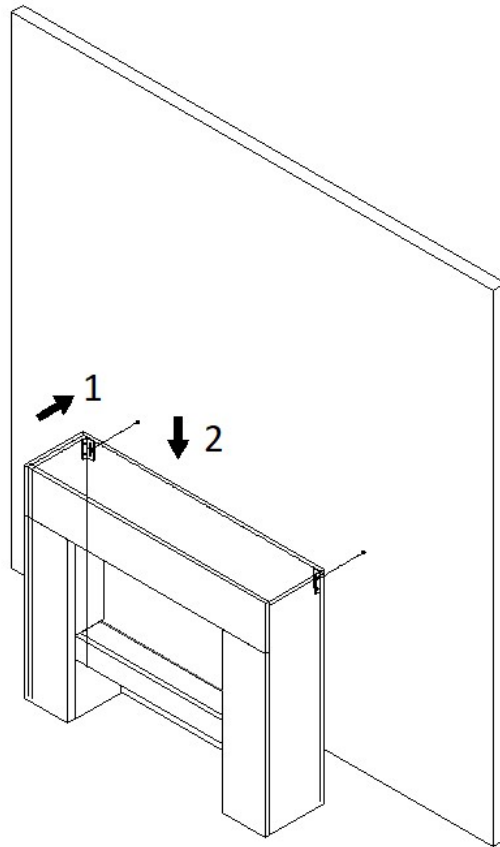


30.



Note: Do not tighten the screws and leave around 3mm gap after fixing just in case.

31.



## SECTION 3 CLEANING & MAINTAINENCE

- 1 Your fireplace mantel surface coating will give off a slight smell for a short period of time. Try to ventilate as much as possible during this time.
- 2 Daily cleaning: Clean the mantel surfaces with a soft, lint-free cloth. Do not use cleaning or polishing products and try to avoid heavy or sharp articles which may damage the surface.
- 3 Avoid long-term direct sunlight, and excessive temperatures and humidity to protect the life of your furniture surface.