

## Cardania - Two Handle Bathroom Faucet



- \* 4" Center-set, 3 Hole Installation
- \* Brass Pop-up Drain Assembly Included
- \* 4-13/16" High and 5-1/8" Long Spout, Zinc Handle, Zinc Deck Plate
- \* Brass Waterway Construction with 1/2" -14 NPSM Connection
- \* 1/4 Turn Premium Grade Ceramic Cartridges (Type I)
- \* Flow Rate: 1.2GPM @ 60PSI
- \* 100% Pressure System Tested
- \* Lifetime Limited Warranty; 5 year warranty from date of purchase for Commercial users.

Project / Job Name	
Architect / Engineer	
Contractor	
Model	
Quantity	

### Model No. :



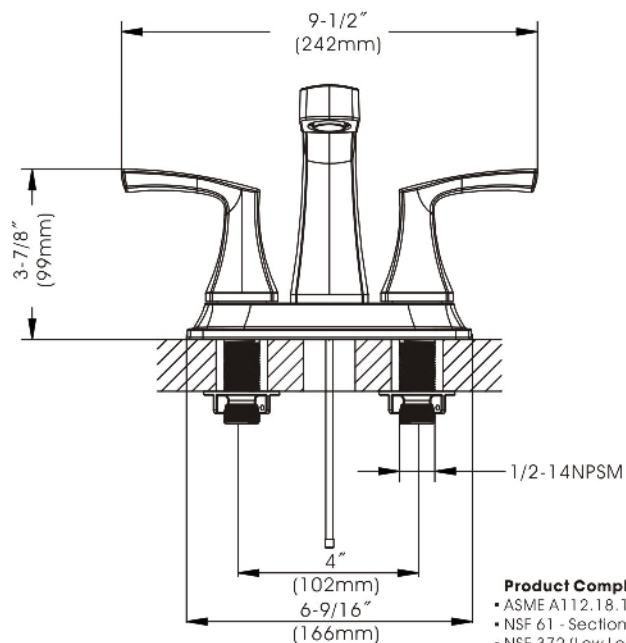
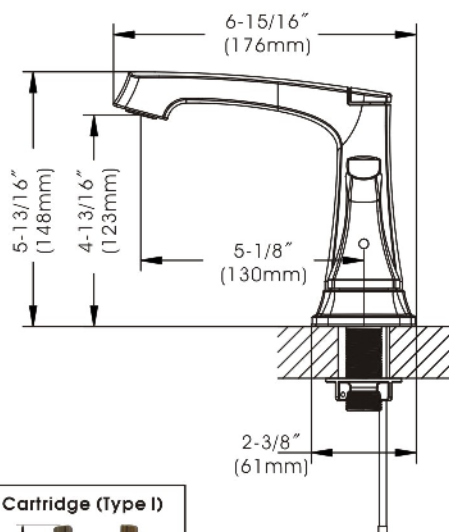
192-6401 (CH)  
(Shown Model)



192-6402 (BN *Spotless PVD*)



192-6403 (ORB)

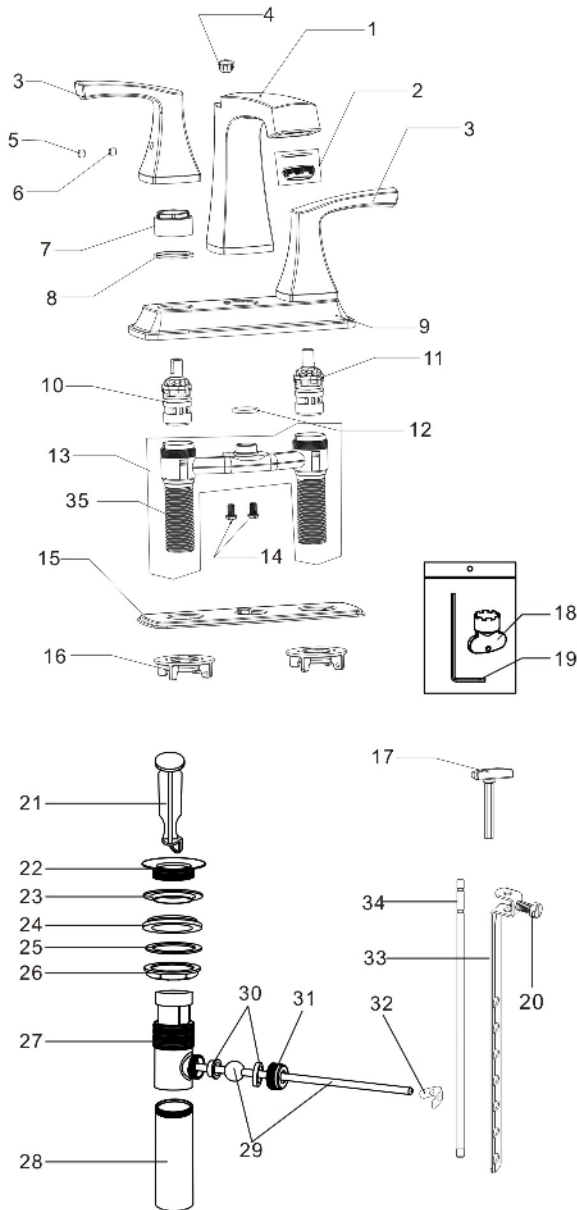


#### Cartridge (Type I)



- Product Compliance:**
- ASME A112.18.1 / CSA B125.1
  - NSF 61 - Section 9
  - NSF 372 (Low Lead Content)
  - ANSI A117.1 (ADA)
  - EPA - Water Sense

# Cardania - Two Handle Bathroom Faucet



## Model No. :

192-6401 (Polished Chrome)

192-6402 (Brushed Nickel **Spotless PVD**)

192-6403 (Oil-Rubbed Bronze)

No.	Part Name	Material
1	Spout	Brass
2	Aerator	Plastic
3	Handle	Zinc
4	Sleeve	Plastic
5	Index	Rubber
6	Screw	Stainless Steel
7	Cartridge Locknut	Zinc
8	Plastic Washer	Plastic
9	Deck Plate	Zinc
10	Cartridge(Hot Water)	Ceramic
11	Cartridge(Cold Water)	Ceramic
12	O-ring	Rubber
13	Brazed Underbody	Brass
14	Screw	Stainless Steel
15	Putty Plate	Plastic
16	Plastic Locknut	Plastic
17	Handle of lift rod	Zinc
18	Aerator Wrench	Plastic
19	Allen Key	Steel
20	Extend Rod Screw	Steel
21	Drain Stopper	Brass
22	Flange	Brass
23	Top Rubber Washer	Rubber
24	Bottom Rubber Washer	Rubber
25	Washer	Plastic
26	Locknut	Zinc
27	Drain Body	Brass
28	Tailpiece	Brass
29	Horizontal Rod	Stainless Steel+Plastic
30	Rod Ball Plastic Gasket	Plastic
31	Rod Guide Nut	Brass
32	Spring Clip	Stainless Steel
33	Extend Rod	Steel
34	Lift Rod	Stainless Steel
35	Faucet Tailpiece	Brass

### Cartridge (Type I)



Technical Support: [warranty@cmiproduct.com](mailto:warranty@cmiproduct.com)  
Hour of Operation: Mon - Fri 8:30 a.m. - 5:00 p.m. EST