

NYRA 60 LINEAR SUSPENSION

PRODUCT FEATURES

- The Nyra Collection is a modern and artful collection featuring beautiful waves of acrylic LED panels
- Offered in modern finishes
- Smooth panels of light guide technology produce an ample amount of general illumination
- Includes (4) 6" and (8) 12" rigid stems in coordinating finish
- Protected by a 5-year warranty, please visit the "About Us" Page on techlighting.com for more for warranty details



LAMPING

Includes 79 watts, 6313 total delivered lumens, 3000K LED modules. Dimmable with most LED compatible ELV and TRIAC dimmers. Ships with (8) 12" and (4) 6" rigid stems in coordinating finish. Can be installed on a sloped ceiling up to 20°. 120V.

Nightshade Black 3/4 View



Nightshade Black

Nightshade Black
3/4 View

Plated Brass

Plated Brass
3/4 View

ORDERING INFORMATION

700LSNYR	LENGTH (A)	FINISH	LAMP
	60 60"	B NIGHTSHADE BLACK BR PLATED BRASS	-LED930 INTEGRATED LED 90 CRI 3000K 120V

700LSNYR _____

JOB NAME _____

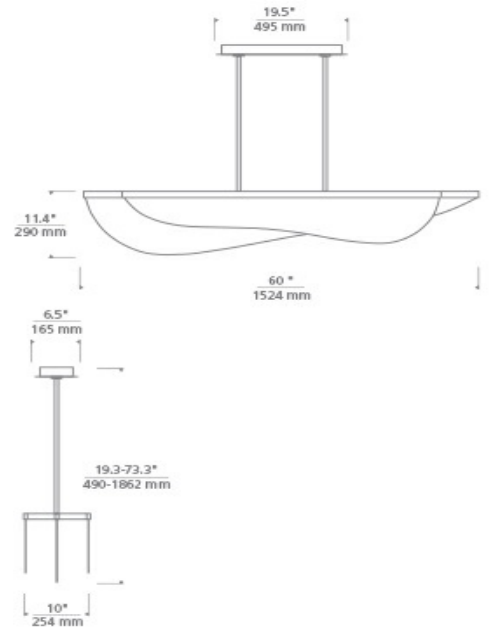
NOTES _____



NYRA 60 LINEAR SUSPENSION

SPECIFICATIONS

HARDWARE MATERIAL	Metal
SHADE MATERIAL	Acrylic
NET WEIGHT	39 lbs
HEIGHT	11.4in
WIDTH	10in
LENGTH	60in
UP LIGHT / DOWN LIGHT / BOTH?	
WET LISTED	
DAMP LISTED	Yes
DRY LISTED	
MIN. HANGING HEIGHT	19.3in
MAX HANGING HEIGHT	73.3in
TOTAL CORD LENGTH	
TOTAL STEM LENGTH	Up to 120in
STEM QTY	12
SLOPED CEILING ADAPTABLE?	Yes 20° Max
GENERAL LISTING	ETL Listed
INCLUDES	



LAMPING SPECIFICATIONS

	LED LAMP	INTEGRATED LED	NON LED	NO LAMP
DELIVERED LUMENS		6313		
WATTS		79		
MAX WATTAGE PER BULB		79W		
INPUT VOLTAGE		120VV		
DIMMING TYPE*		ELV, TRIAC		
CCT		3000K		
CRI		90 CRI		
LED LIFETIME				
L70		>50000		
AVERAGE BULB HOURS				
FIELD SERVICEABLE LED				
LAMP BASE		Integrated LED		
LAMP SHAPE		Integrated LED		
LAMP INCLUDED?		True		
WARRANTY**		5 Years		

* Dimming information available at www.techlighting.com/Downloads#dimming

** Visit techlighting.com for specific warranty limitations and details.

T20 / T24 / JA8 INFORMATION

	Integrated LED	Replacement LED Lamp	No Lamp *
This product can be used to comply with California Building Energy Efficiency Standards 2016 Title 24 Part 6 / JA8.	Yes		
This product can be used to comply with California Appliance Efficiency Standards 2016 Title 20 and may be shipped to and sold in California.	N/A		

* If a light fixture or component does not include a lamp or light source, it is the responsibility of the customer to select a lamp that meets the T24 and T20 requirements.

