

Assembly Instruction

Spacesaver 100% Solid Wood
Over the Toilet Rack with Shelves

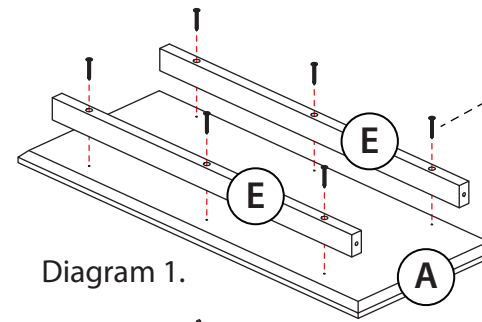
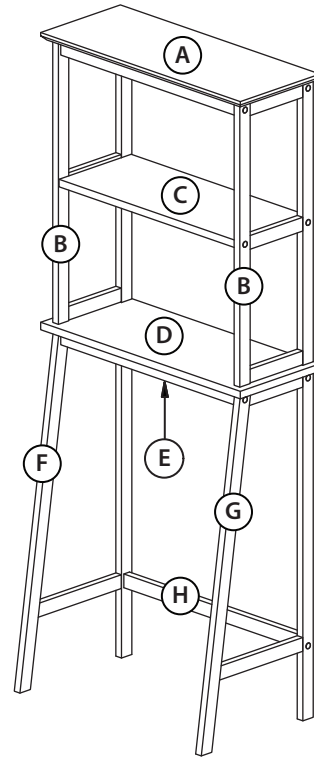
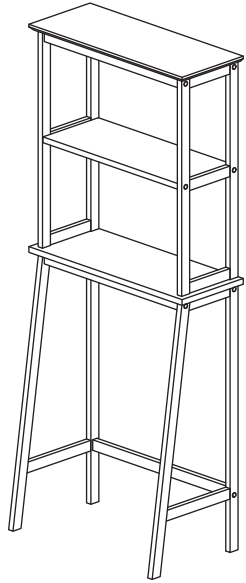


Diagram 1.

Step 1: Assemble Top Shelf (A).
Attach 2 Crossbars (E) into
the Top Shelf (A) by using 6 screws
(RF10002) as per diagram 1.

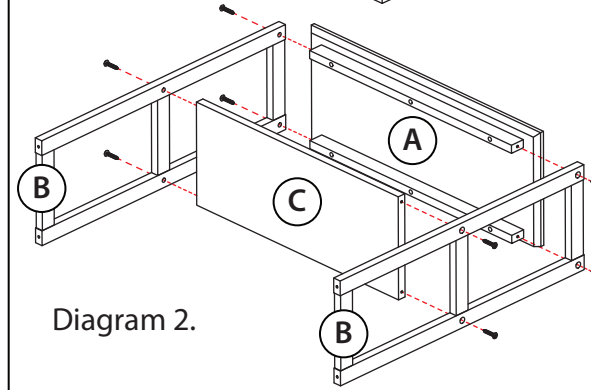


Diagram 2.

Step 2: Assemble Top Shelf unit.
Attach Top Shelf (A), Side Panels (B)
and Middle Shelf (C) together by
using 8 screws (RF10003) as per
diagram 2.

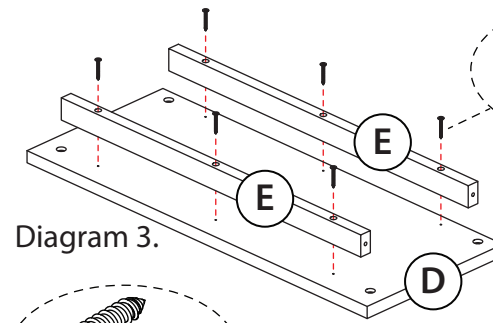


Diagram 3.

Step 3: Assemble Bottom Shelf (D).
Attach 2 Crossbars (E) into the
Bottom Shelf (D) by using 6 screws
(RF10002) as per diagram 3.

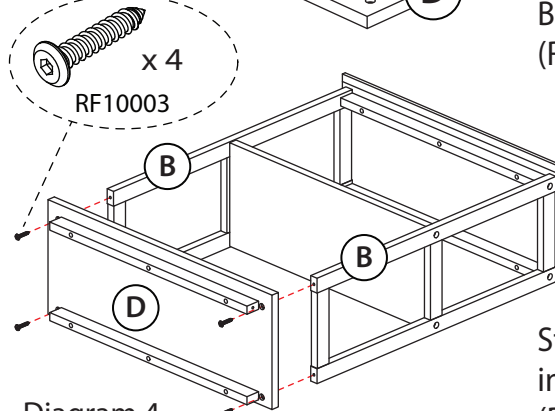


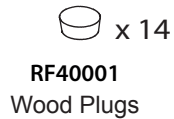
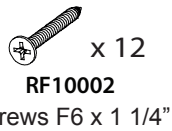
Diagram 4.

Step 4: Attach the Bottom Shelf (D)
into the unit by using 4 screws
(RF10003) as per diagram 4.

Parts List

No.	Description	Q'ty
A	Top Shelf	1 pc.
B	Side Panel	2 pcs.
C	Middle Shelf	1 pc.
D	Bottom Shelf	1 pc.
E	Crossbars	4 pcs.
F	Left Leg	1 pc.
G	Right Leg	1 pc.
H	Support bar	1 pc.

Hardware



Anti-Tipping



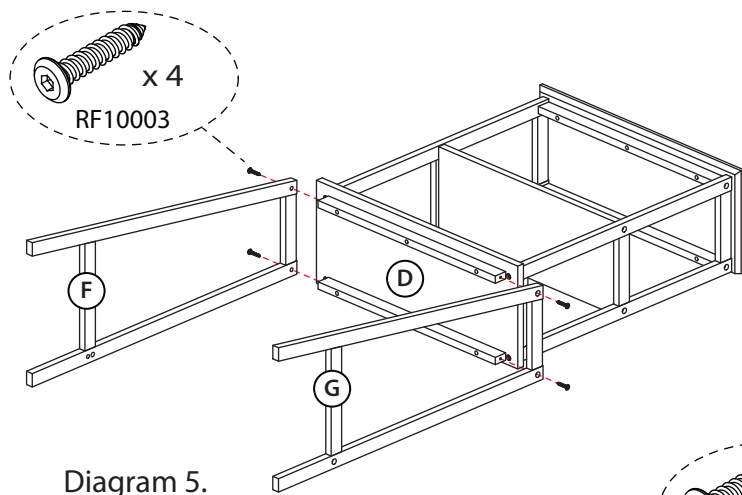


Diagram 5.

Step 5: Attach Left Leg (F) and Right Leg (G) into the unit by using 4 screws (RF10003) as per diagram 5.

Step 6: Placing the spacesaver over the flush toilet. Then attach the Support Bar (H) by using 2 screws (RF10003) as per diagram 6.

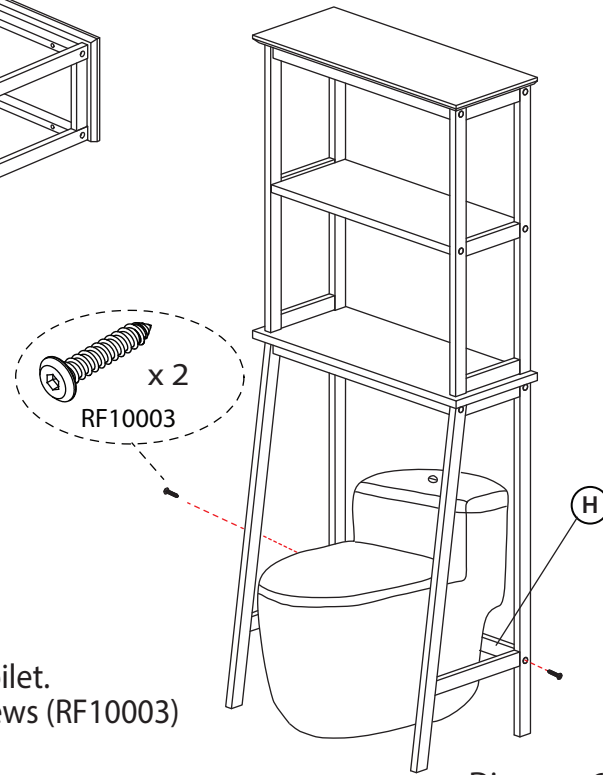


Diagram 6.

Step 7: Cover screw holes by wood plugs (WD40001) as per diagram 7.

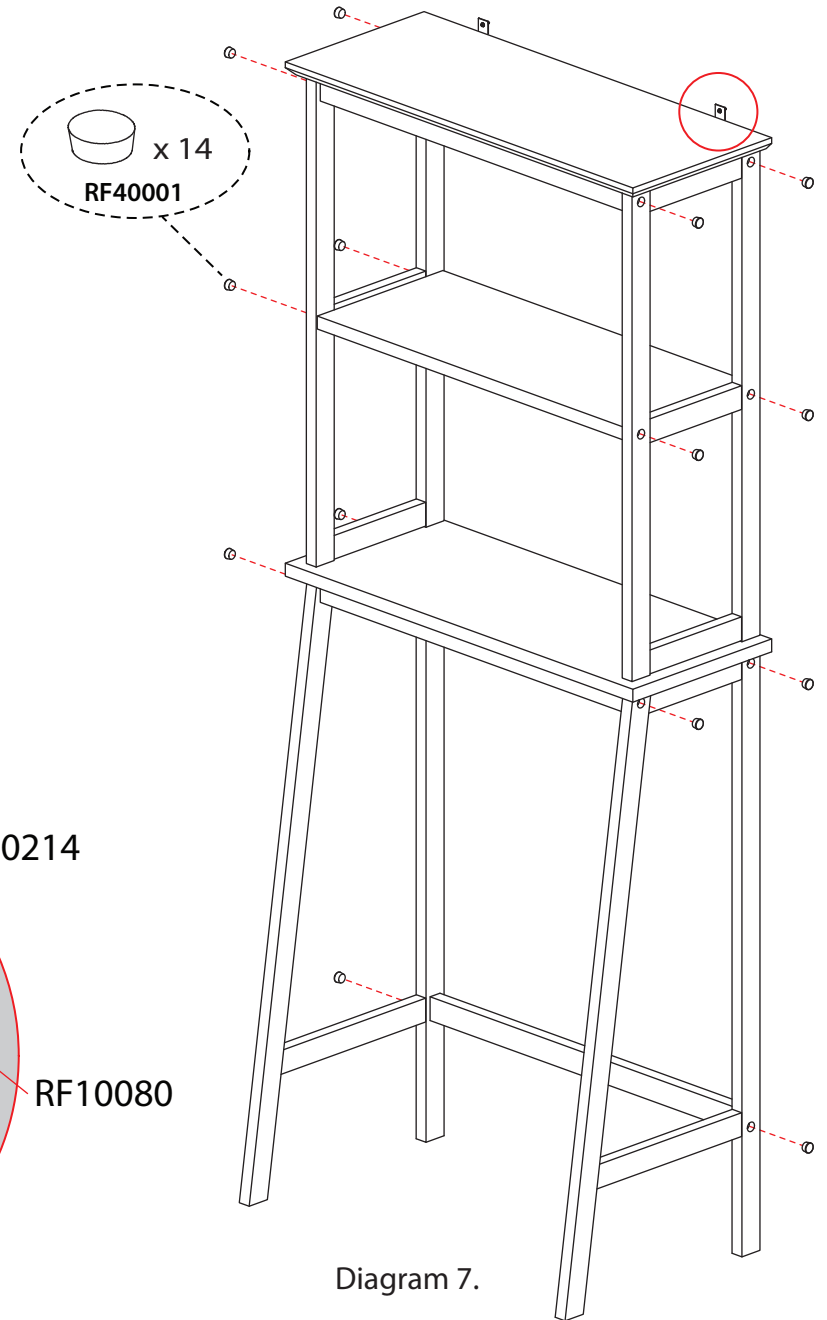


Diagram 7.

Anti-Tipping

Attach the metal plate (RF40214) into the back of top shelf using screw (RF10080), and to the wall using screw (RF10103) as per diagram 7.

