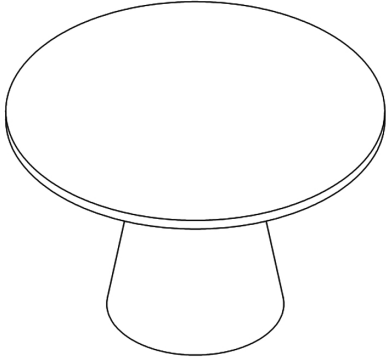


# ASSEMBLY INSTRUCTIONS



## + Do Not Use Power Tools



## + Suggested Adults



### NOTE:

- 1 Read instructions cover to cover.
- 2 Save all packaging until assembly is completed.

## 1 IMPORTANT SAFETY INFORMATION

**Do not** assemble the product if any of the following parts arrived damaged:

- Part # ① - Base
- Part # ② - Table Top
- Part # ③ - Connection Panel

## 2 IMPORTANT ASSEMBLY INFORMATION

**Assembly Step ①** Use Bolt **A**, to connect Part ③ to Part ①.

**Assembly Step ②** Use Bolt **B**, to connect Part ①, and part ③, to Part ②.

**\*Warning:** Do not over tighten screws, or it could damage the Table Top.

## + Parts Included

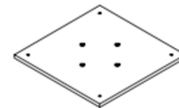
- ① Base  
(1 pc)



- ② Table Top  
(1 pc)

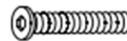


- ③ Connection Panel  
(1 pc)

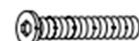


## + Hardware Included

- A** Bolt 1/4" x 2"  
(4 pcs)



- B** Bolt 1/4" x 1-3/8"  
(4 pcs)



- C** Lock Washer 1/4"  
(8 pcs)



- D** Lock Washer 1/4"  
(8 pcs)

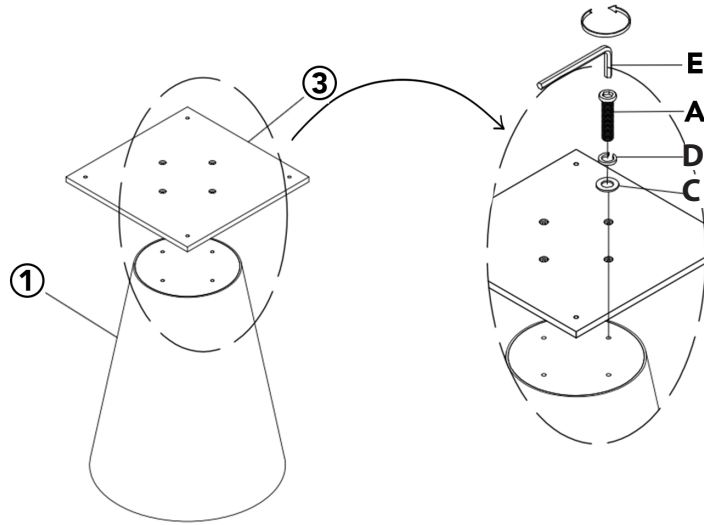


- E** Allen Key  
(1 pc)



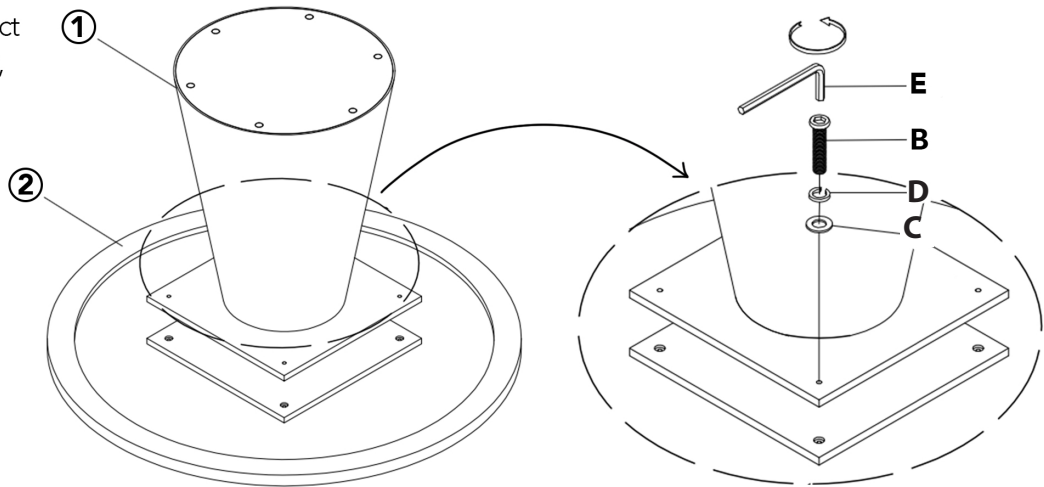
# ASSEMBLY INSTRUCTIONS

- 1 Use Bolt **A**, to connect Part **3** to Part **1**.



**Note:** Do not over tighten screws

- 2 Use Bolt **B**, to connect Part **1**, and part **3**, to Part **2**.



**Note:** Do not over tighten screws

- 3 Flip Over

