

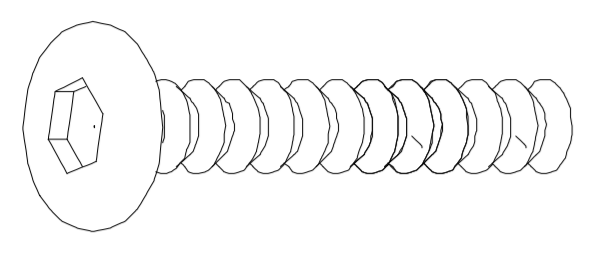
ASSEMBLY INSTRUCTION



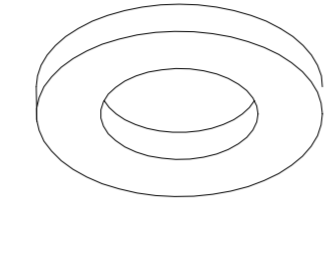
A

B

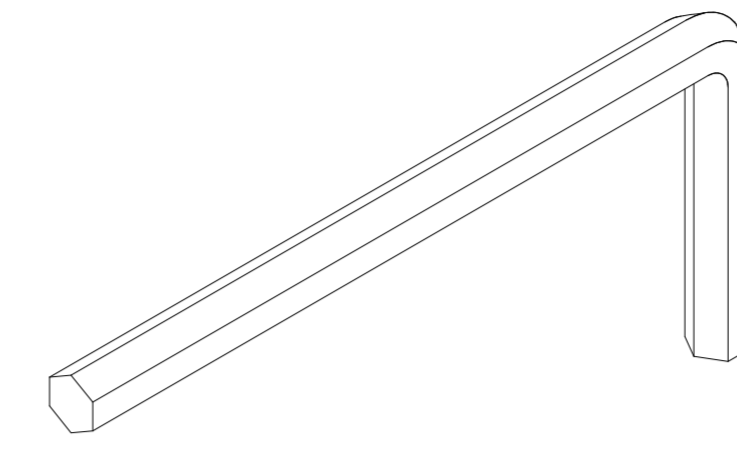
C



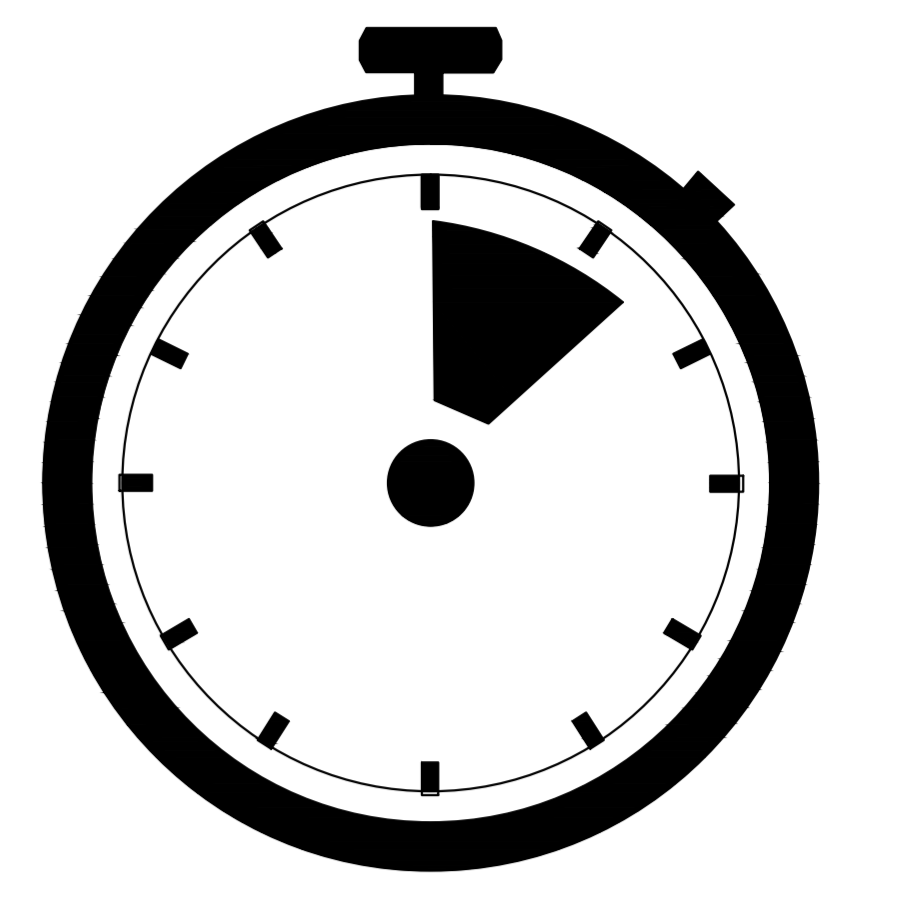
4PCS



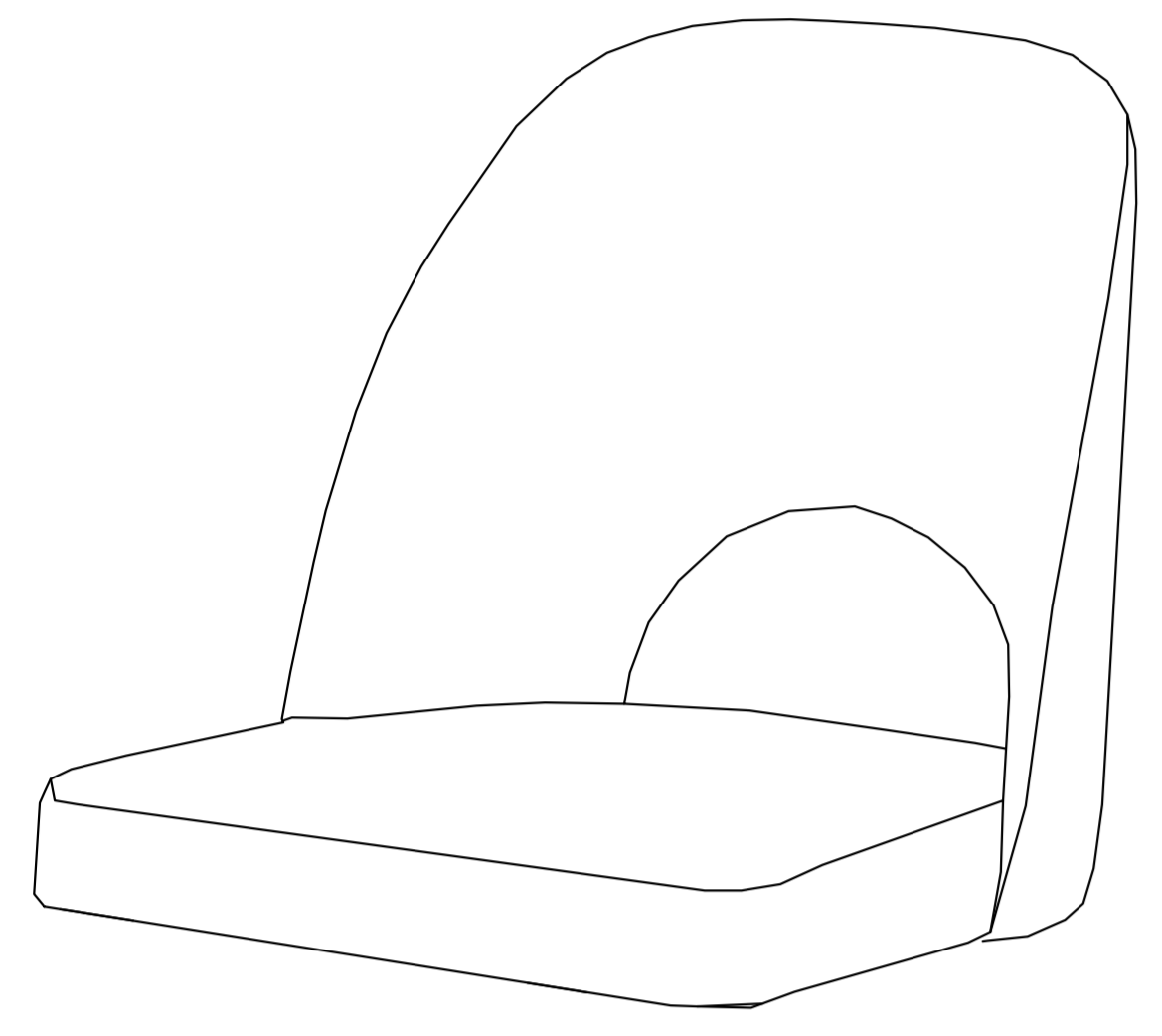
4PCS



1PC

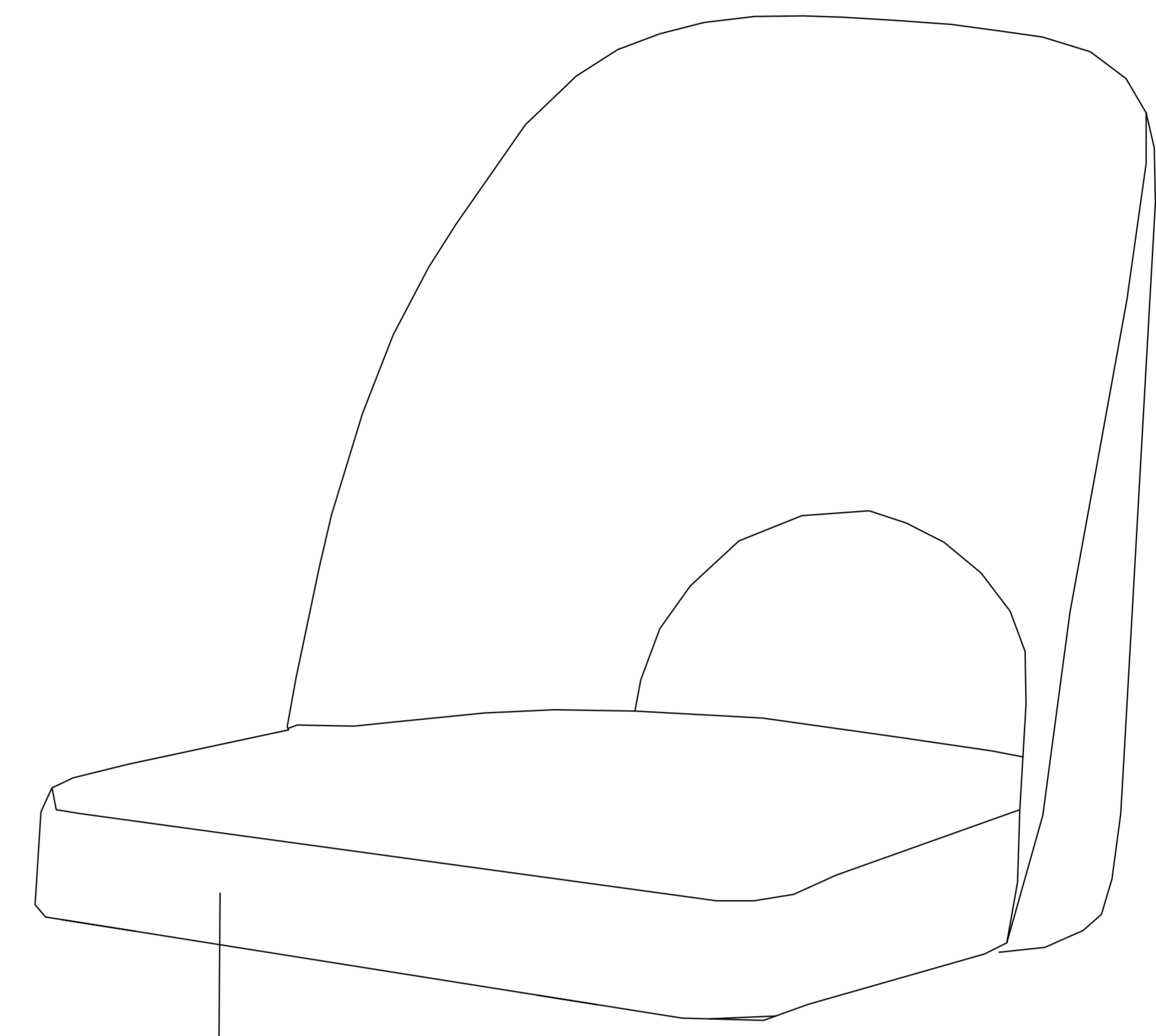


①



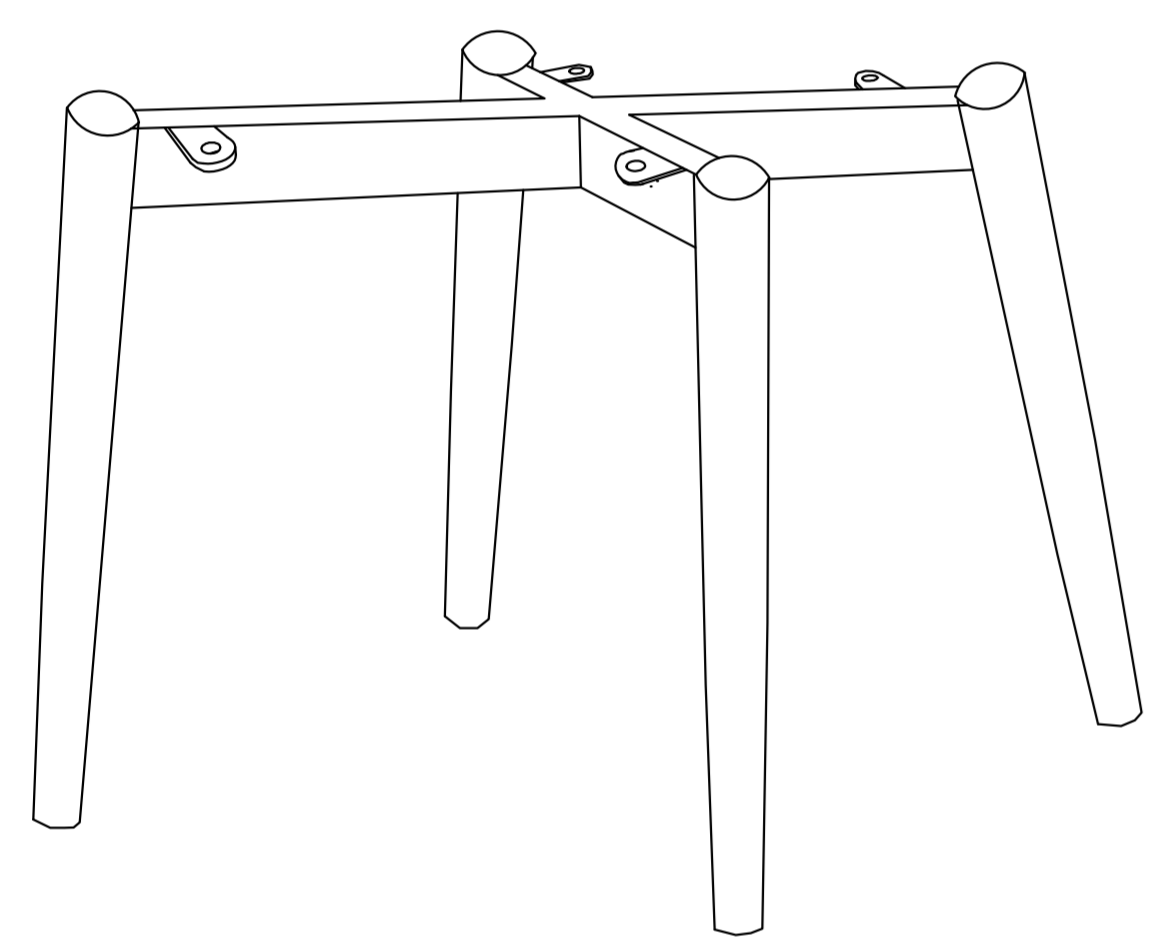
X 1

Tightening the screws
in clockwise direction

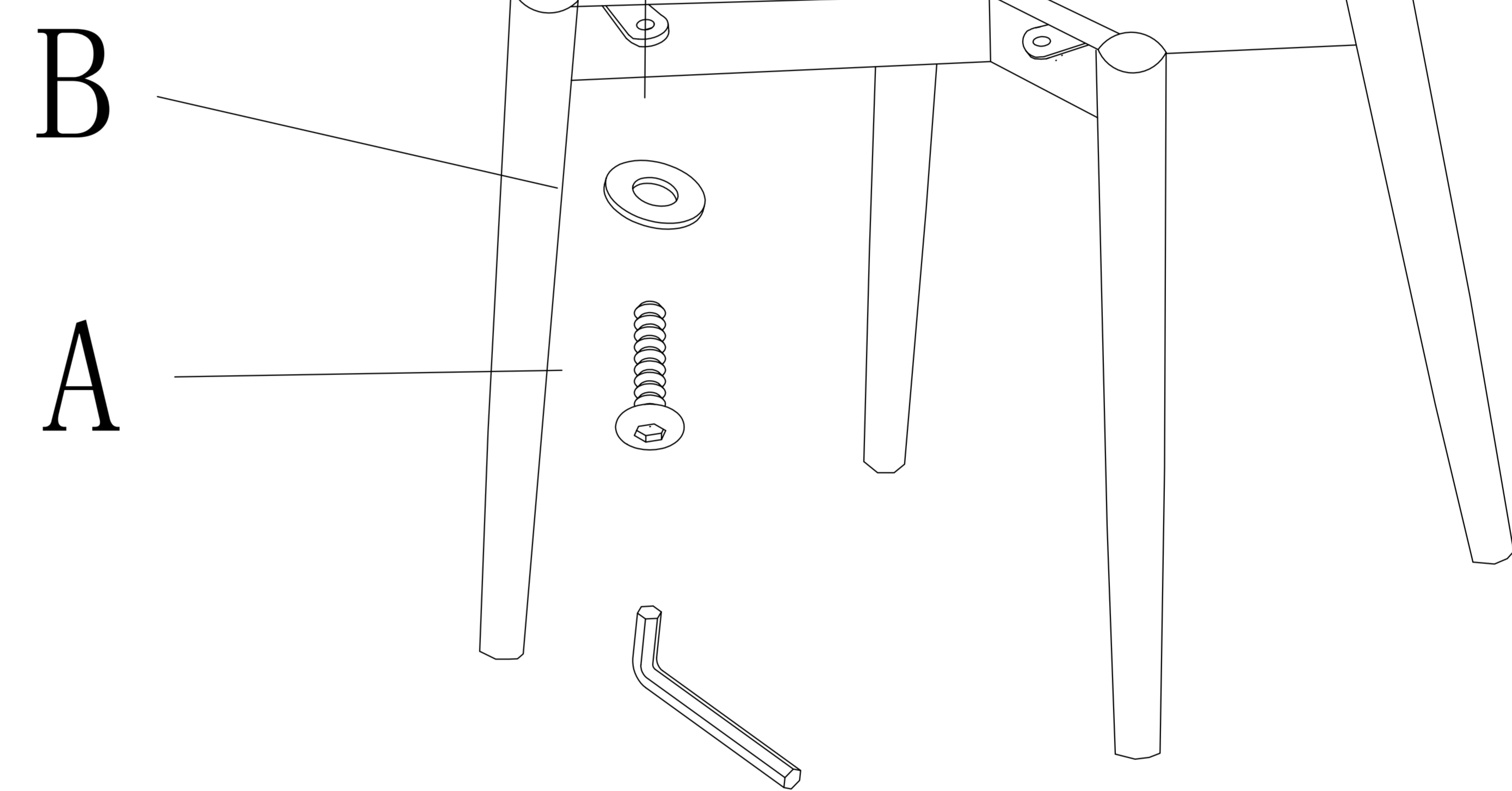


①

②



X 1



②

