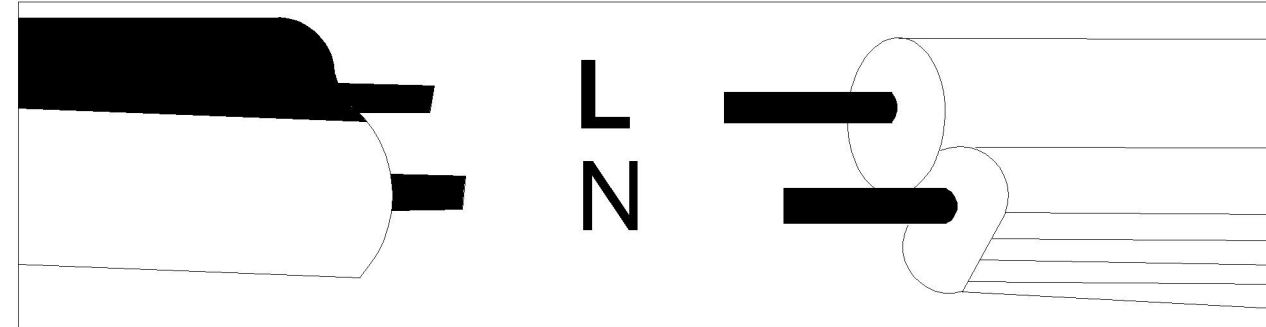


## WIRE CONNECTION DIAGRAM

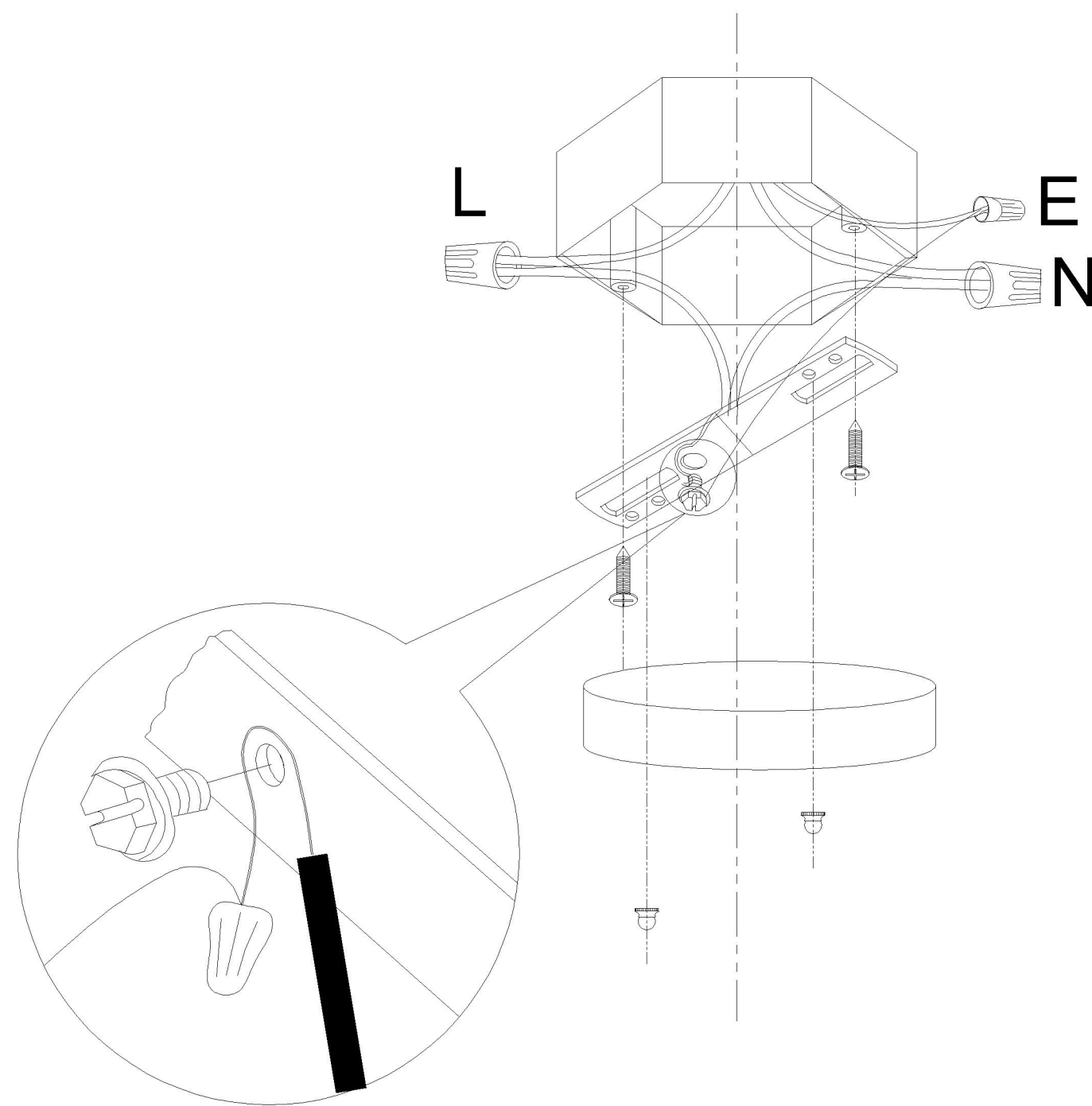
Wires met safety standards are recommended to connect the supply circuit.

**CAUTION: Risk of fire**

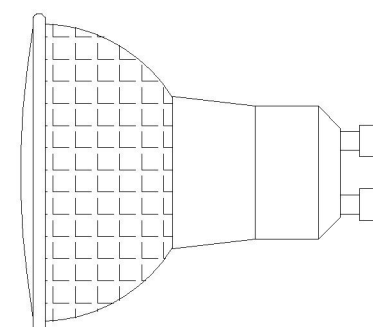


## CANOPY INSTALLATION INSTRUCTIONS

Please read all instructions carefully. Before you proceed to install, make sure that the power supply is turned off and remains off until installation is complete.



Light Bulb (Not included)



GU10

## USER MANUAL

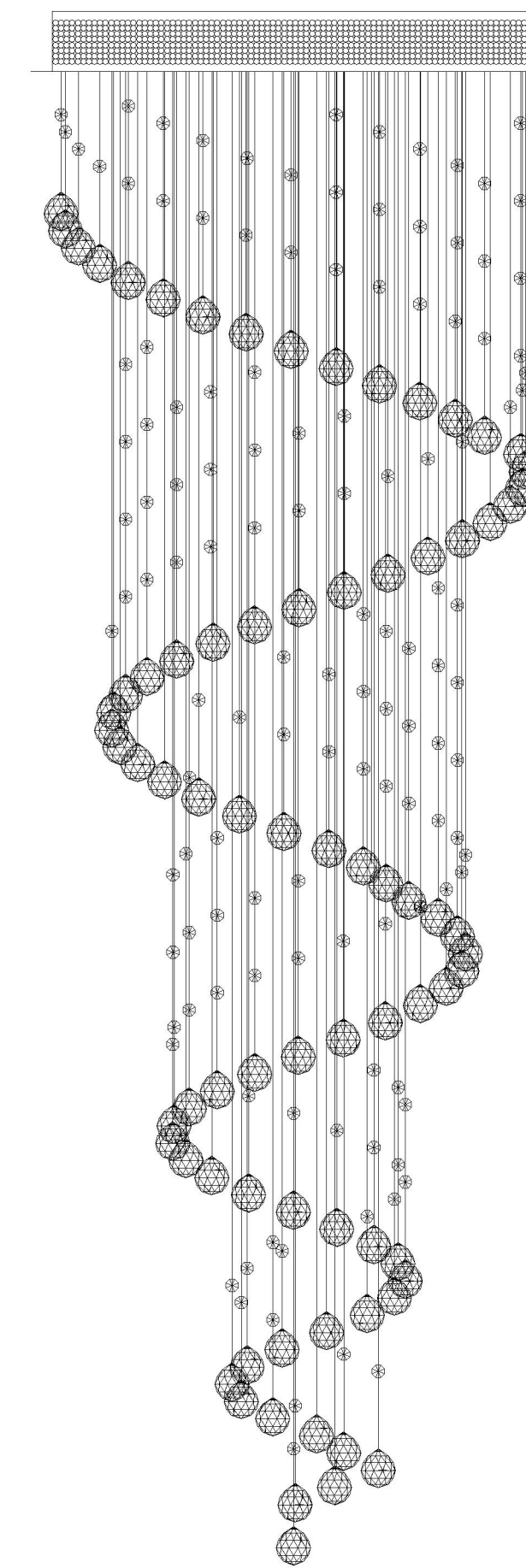
Dear Customer

Thank you for your business!

If you have any question or problem, please call us  
We want you to be completely satisfied with your purchase.

Product review means the world to us, if you want to share your experience you can leave a short product review.

Thank you



( Rated 110-130V/60Hz, bulb 35W-60W maximum.)

# Assembly and Installation Steps

## Step 1

1A. Lock the crossbar to the junction box of the ceiling by using 2 pcs of 5/32 screws in the accessories bag.  
 1B. Connect the wires. The hot/positive (+) wire is the one which has writing on it. The negative (-) wire is the one which has no writing.

## Step 2

There are 4 screws and 4 nuts in the plastic bag. Hang the lamp to the ceiling by attaching the screws to the nuts.

## Step 3

Install 8 GU10 bulbs (Not included).

## Step 4

Buckle the crystal ball and hang the crystal string on the metal ring.

The recommended installation sequence is from 76 to 1

Please note that the length of suspension line 1 is the shortest and that of suspension line 76 is the longest. The bigger the number, the longer the suspension line.

Please note: The parts in this table are completely unassembled, for illustrative purpose. In the actual product that you receive, some parts are assembled and attached together.

