

HAPPINESS HAPPINESS INSTALLATION



CAUTION

Parts are placed at the bottom of the product.

- If you have any questions with the product, please contact us by:
- **Email: customerservice@zoy-living.com**
(we will reply to you within 24 hours)

Installation Video

For installation details, you can scan the QR code below with your phone to watch the installation video for this product. If you have any questions, please feel free to contact us.

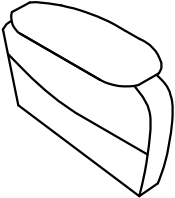

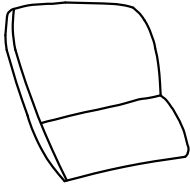
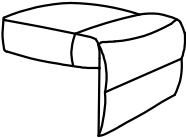
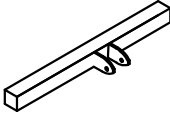
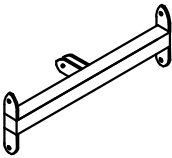
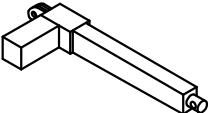
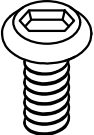


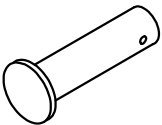

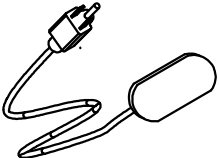
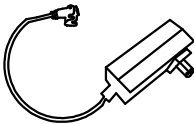
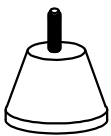

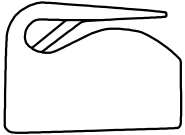

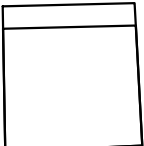


Assembly instructions

Model: IHM105

Packaging Contents

Your recliner comes packaged in One box. Carefully remove all of components from the packaging and set aside for assembly.

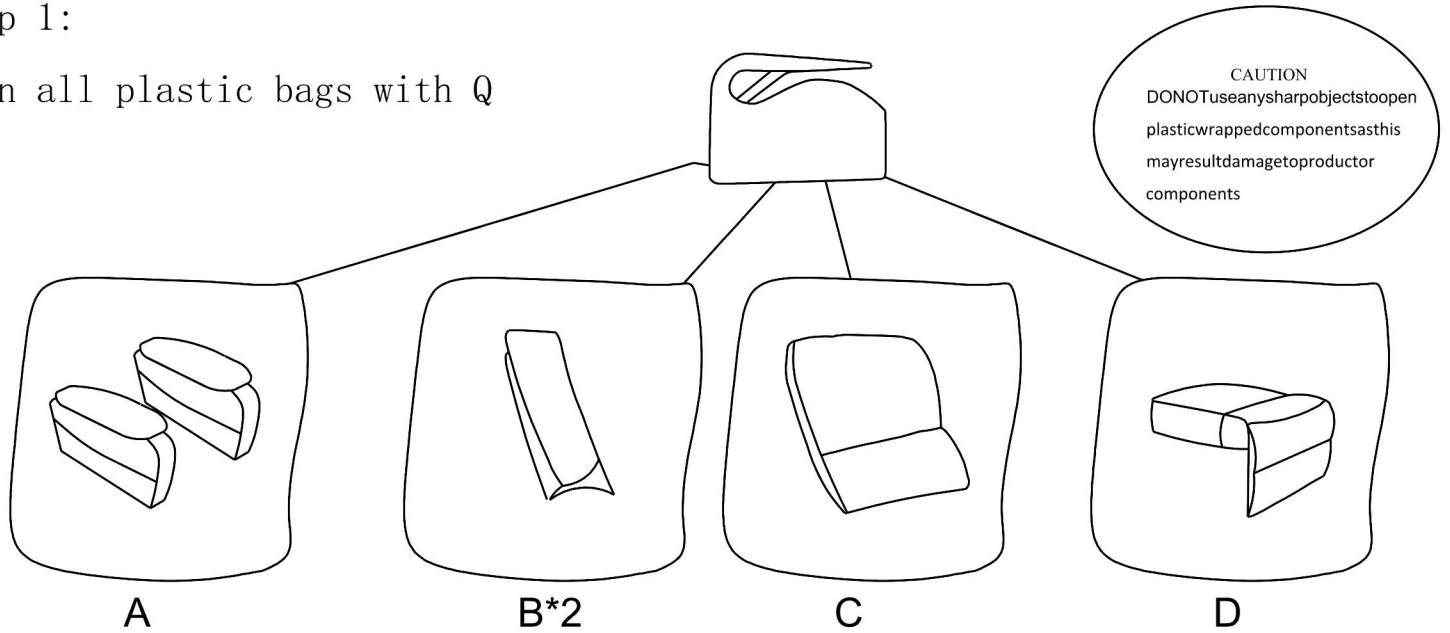
				
A*2	B*2	C*1	D*1	E*1
				
F*1	G*1	H*10 (M8*16MM)	I*4 (M6*16MM)	J*4 (M6*10MM)
				
K*2	L*2	M*1	N*1	O*4
				
P*1	Q*1	R*1	Spare screws	

There is an electric one at home, and the internal power distribution turns the head. All screws are spared. Each screw has a spare separate package.

1-Segmented Assembly - Body Setting

Step 1:

Open all plastic bags with Q

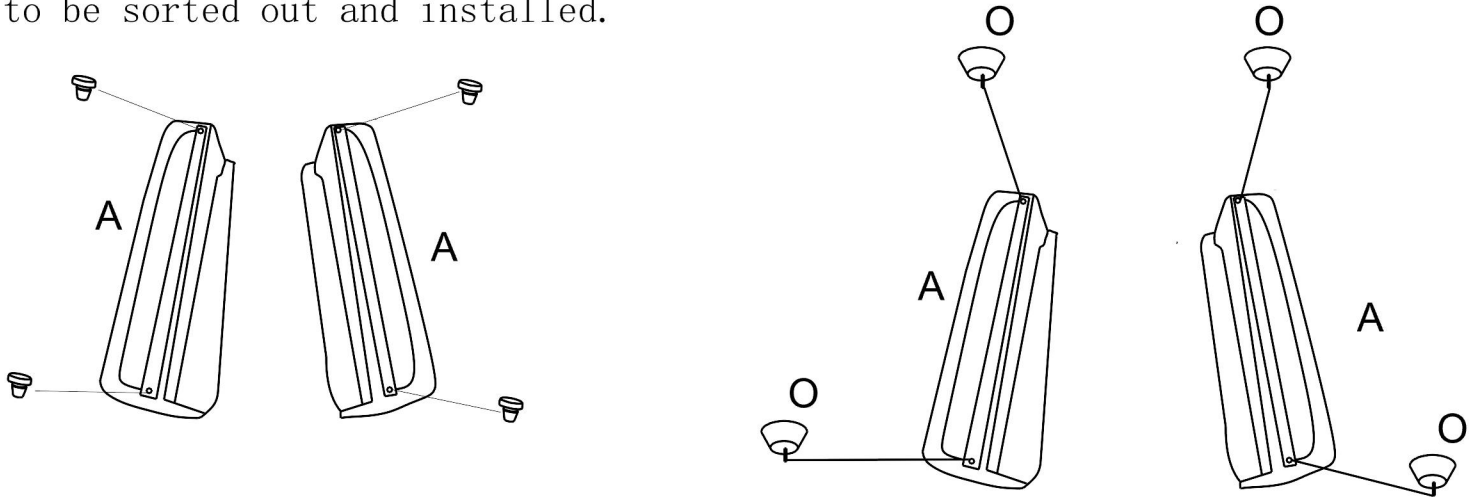


Step 2:

Pull out the four plugs first.

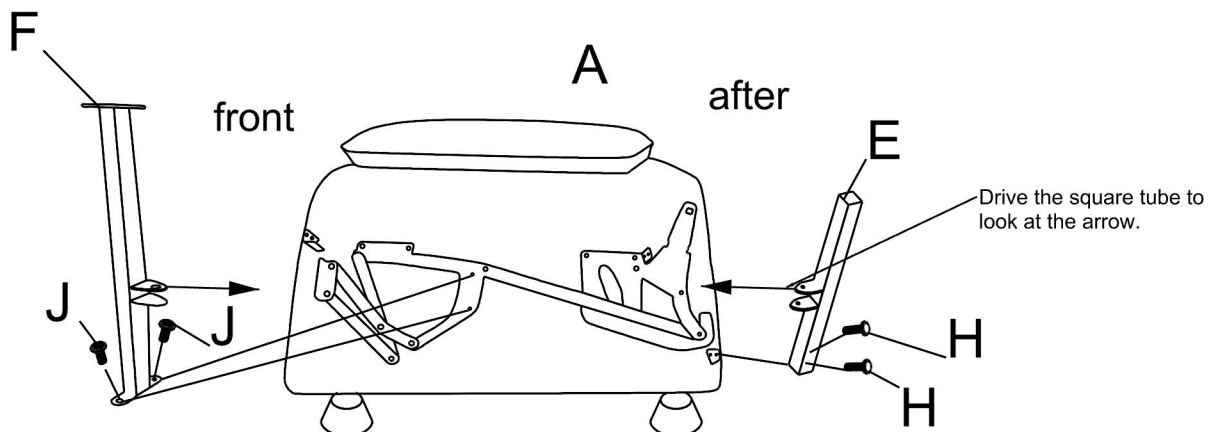
Install the four feet (O/P) onto the two armrests (A) respectively.

After compression, there is a slight shift in the hole position. It needs to be sorted out and installed.



Step 3:

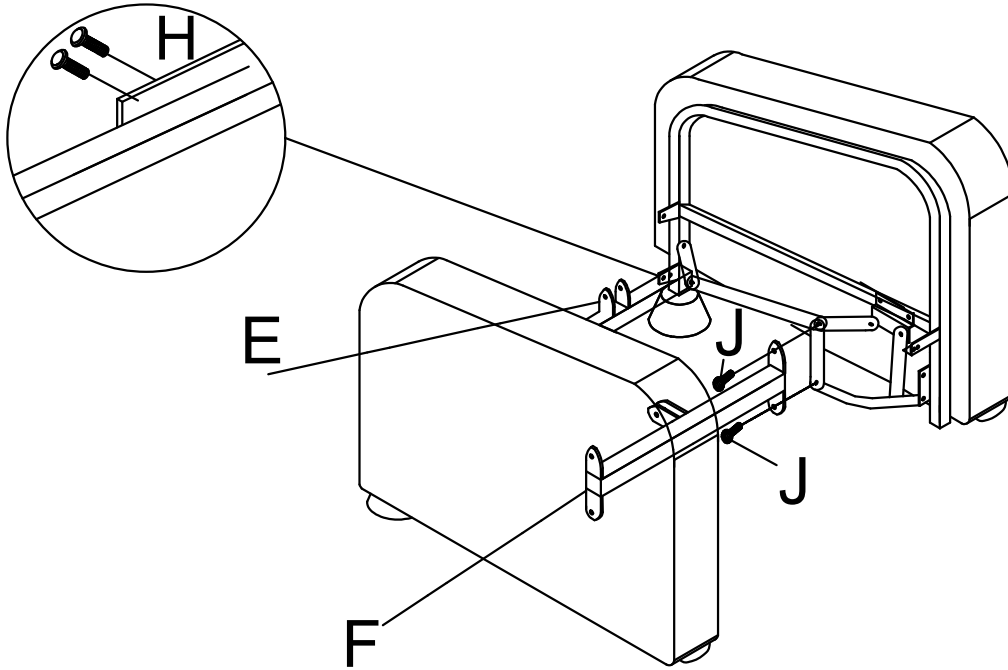
Lower the armrest and install the iron frame (E) onto the iron frame (F) with screws (H) and screws (J)



2-Segmented Assembly - Body Setting

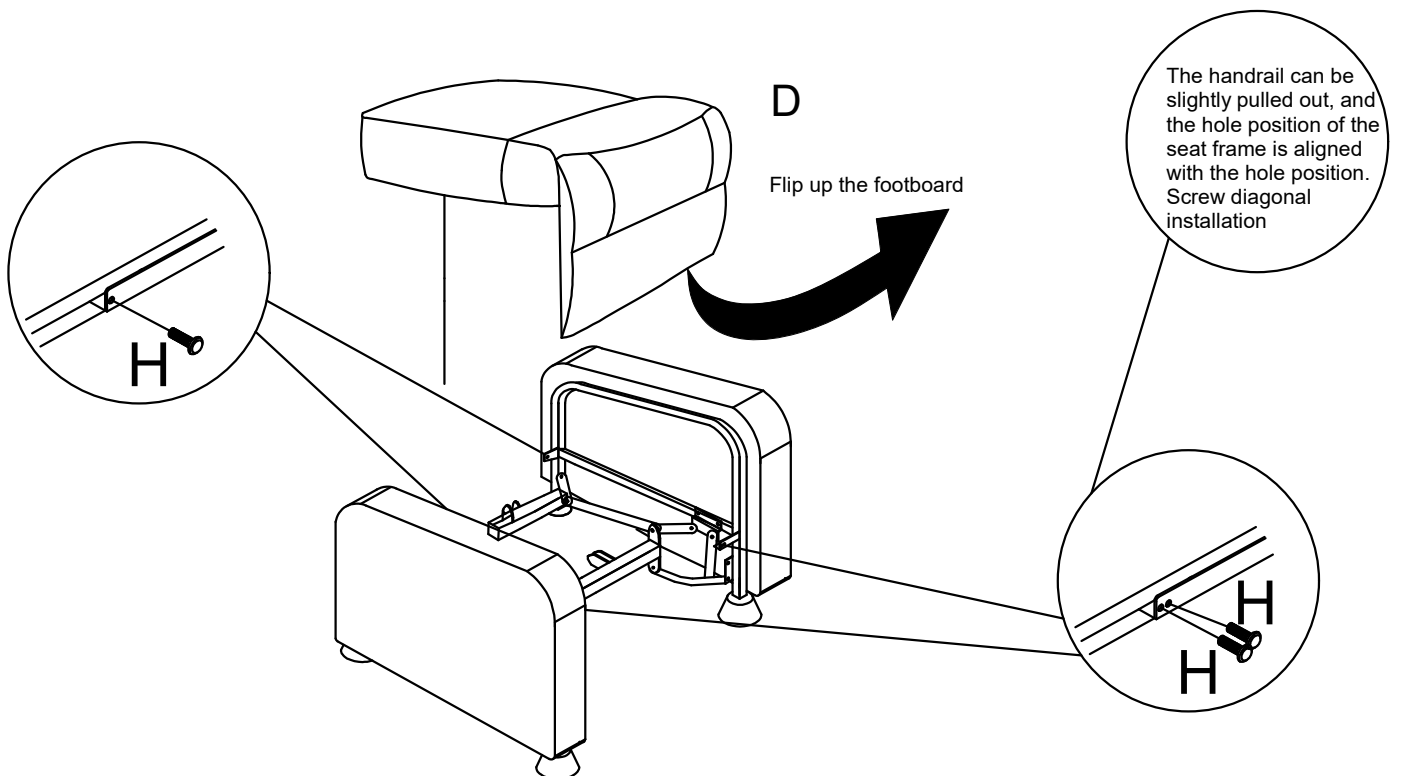
Step 4:

Stand the armrest up and install the iron frame (E) with screws (H) into the hole on the other side
Install the iron frame (F) with screws (J)



Step 5:

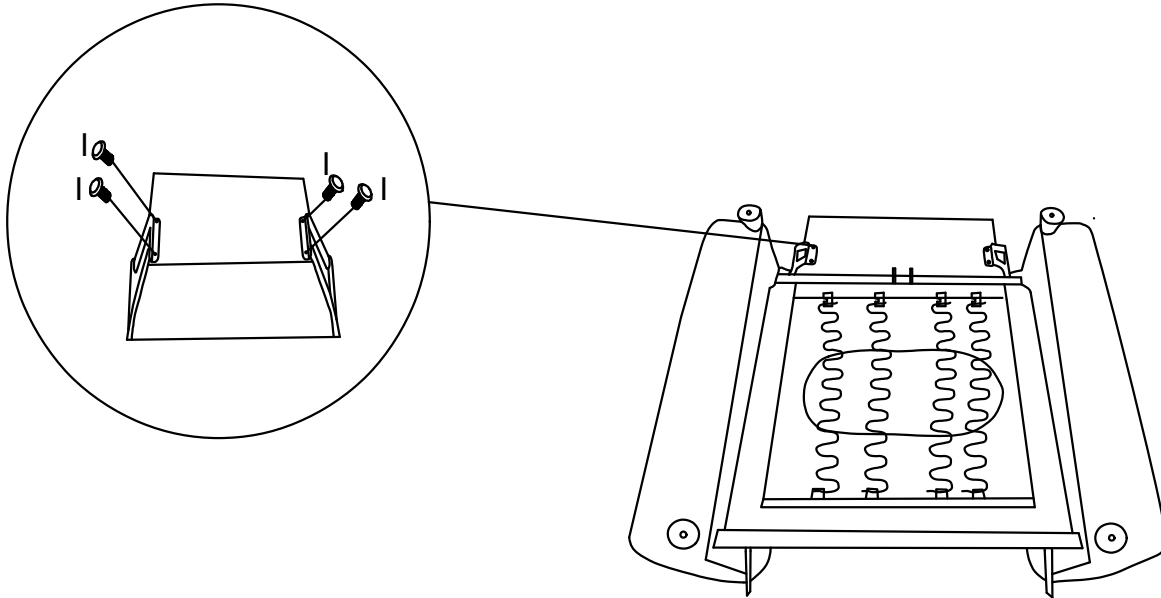
Next, place the seat cushion (D) in the middle of the armrest and secure it with screws (H)



3-Segmented Assembly - Body Setting

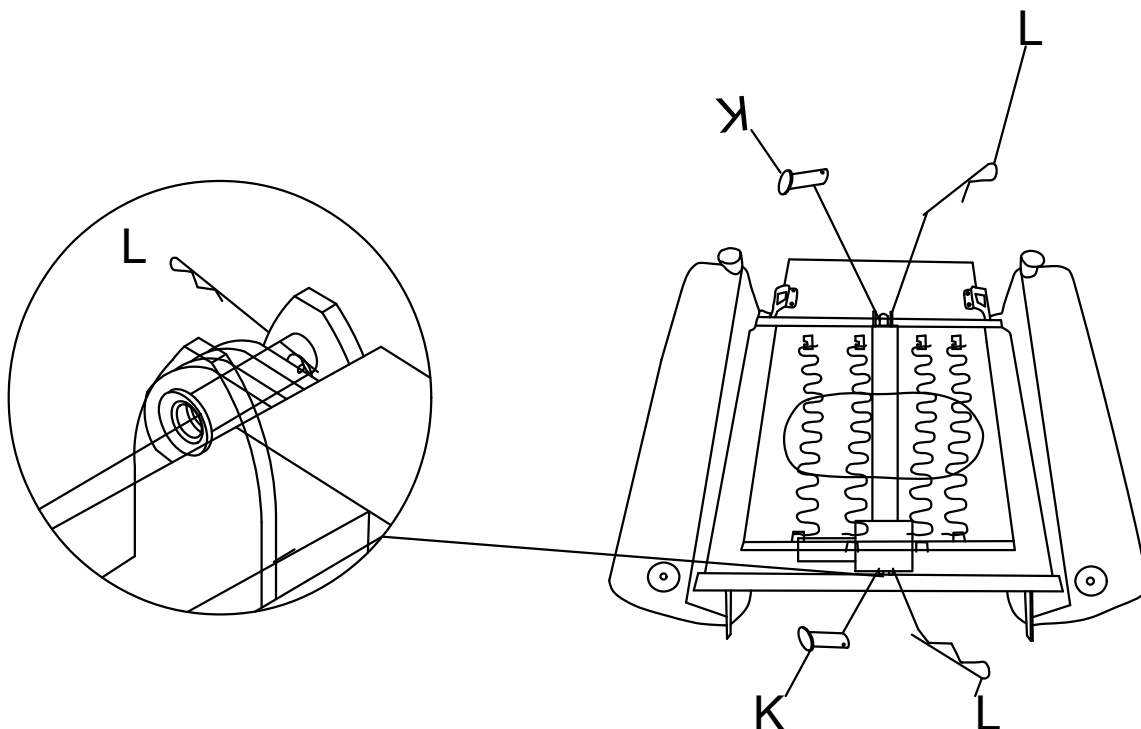
Step 6:

Turn the entire sofa upside down and extend the armrest ironframe forward until it coincides with the hole in the front foot plate of theseatcushionThen fix it with a screw (I).



Step 7:

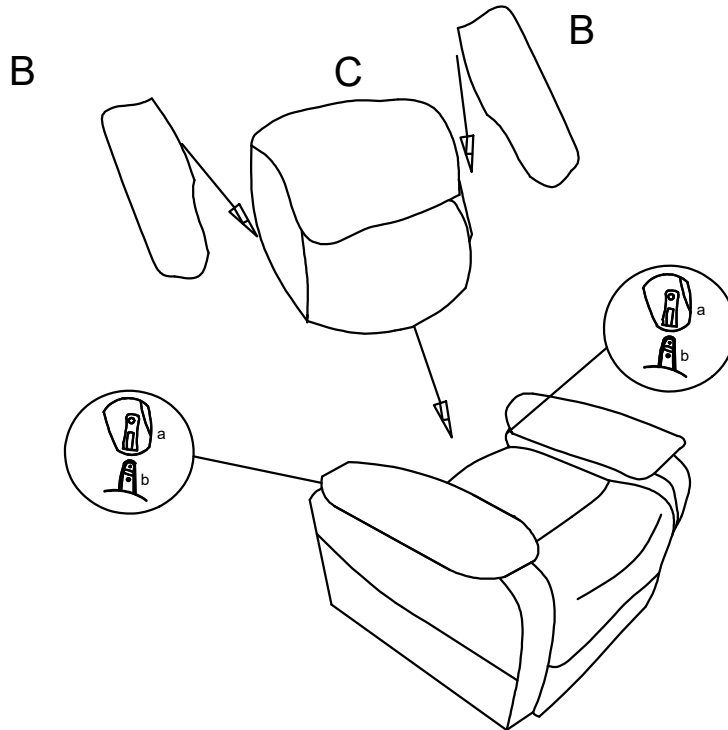
Turn the sofa backInsert the holes at both ends of motor (G) into the slots between iron frame (E) and iron frame(F), and fix them with pins (K)After inserting it, use the lock buckle (L) to insert it intothe hole at the end of the pin (K) to fix it.



4-Segmented Assembly - Body Setting

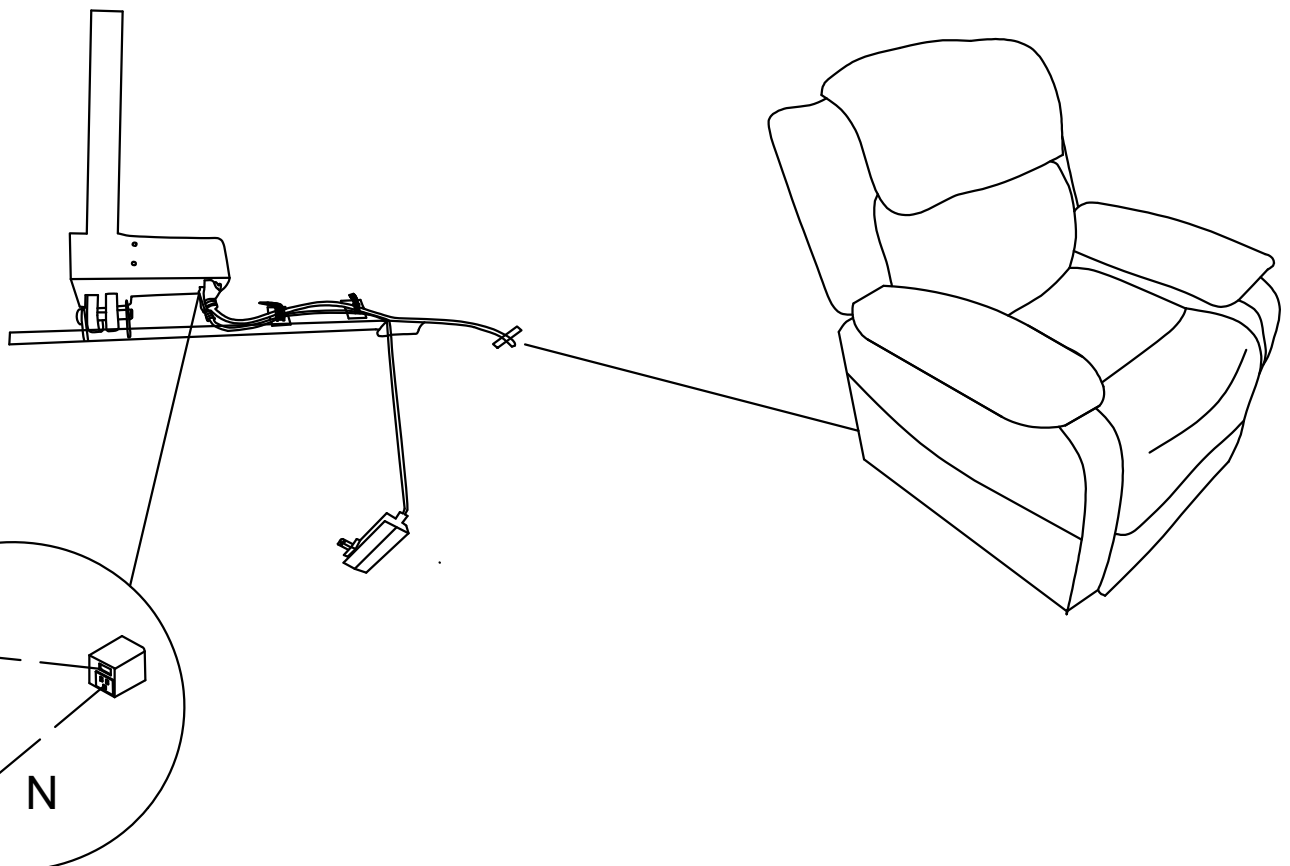
Step 8:

First, insert the back frame (C) into the pins left on both sides of the back, and then fix the two ears on each side of the back frame.

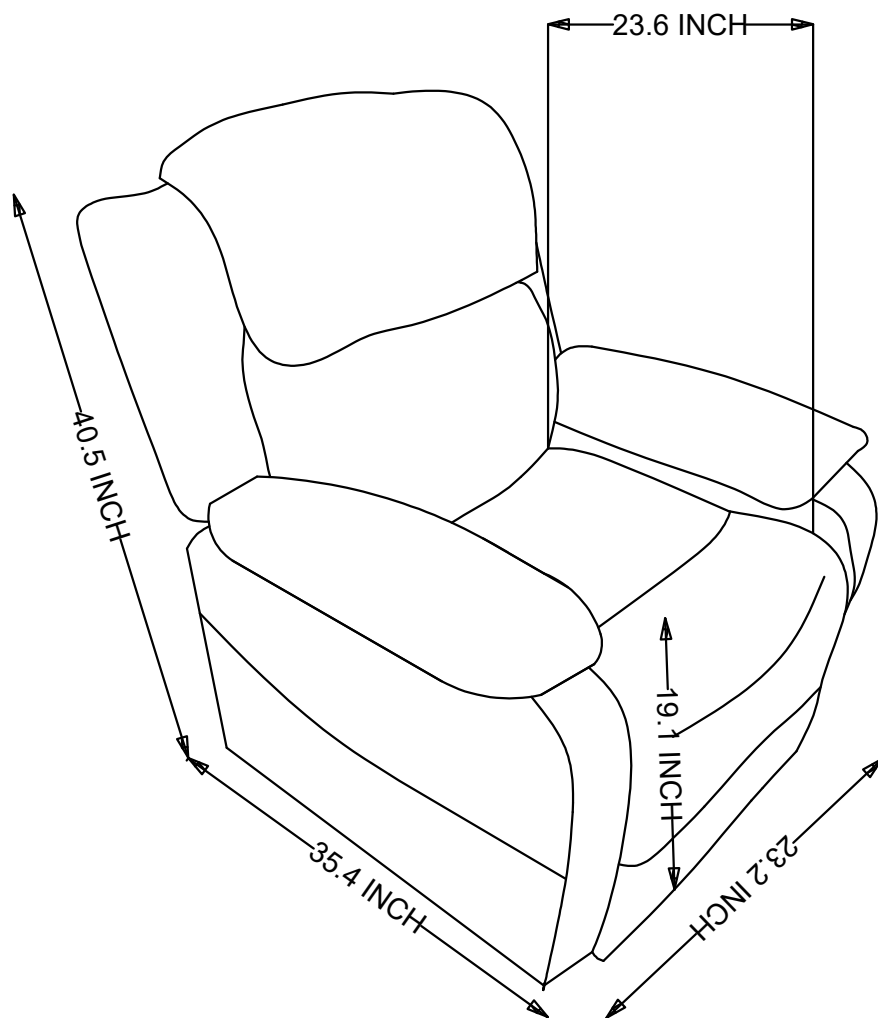


Step 9:

Finally, insert the remote control (M) and power cord (N) into the holes behind the motor.



5 Product Dimensions



Electric functional chair

IHM105

Warn

1. Please check if all the components of the chair are included and if they can be used normally.
2. Before connecting the chair to the power source, please assemble all components correctly according to the instructions.
3. Do not sit on handrails or footrests to eliminate the risk of tipping over.
4. If the chair is damaged or does not match the website description, please send the product and carton label to our service team. Sign clear pictures for further assistance.
5. If the lounge chair is not working, you can first try the following self-examination measures:
 - (a) Check if all cables are connected;
 - (b) Check if the transformer's light is on.If it still cannot be used, please promptly provide feedback to customer service and we will solve the problem for you as soon as possible.
6. If you have any questions about our products, please contact us through the following methods:

Email: customerservice@zoy-living.com (Reply within 24 hours)

