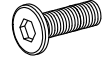


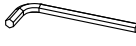


ASSEMBLY INSTRUCTIONS & PARTS IDENTIFICATION DOOR ACCENT CABINET

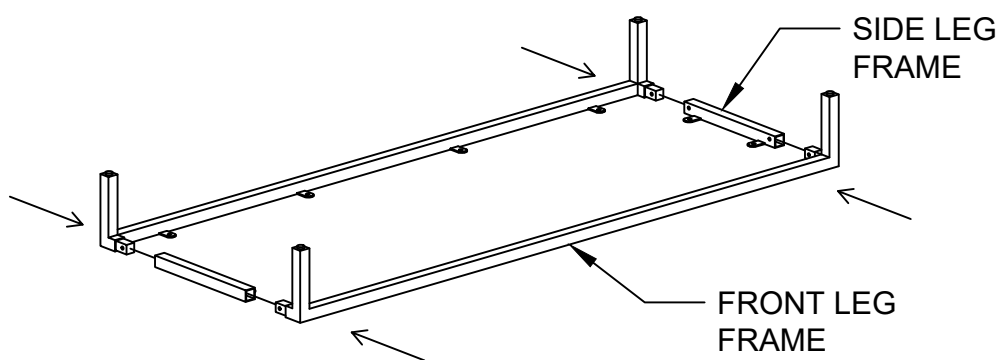
Thank you for purchasing this quality product. Be sure to check all packing material carefully for small parts that may have come loose inside the carton during shipment.

Table Components				Console Hardware Kit 2448-69P01			
No.	Code	Description	Q'ty	No.	Image	Description	Q'ty
1	2448-69P04	DOOR PULL W/ SCREWS	4 Pcs	A		BOLT M6x16 MM	16 PC
2		FRONT LEG FRAME	2 Pcs	B		FLAT WASHER 16 MM	16 PC
3		SIDE LEG FRAME	2 Pcs	C		LOCK WASHER 16 MM	16 PC
4	2448-69P07H	DOOR HINGE	8 Pcs	D		ALLEN KEY 4 MM	1 PC
5	2448-69P01D	DOOR MAGNETIC CATCH	4 Pcs				
6	2448-69P08	SHELF	4 Pcs				
7	2448-69P01L	LEVELER	4 Pcs				
8	2448P01AT	ANTI-TIP KIT	2 SET				

**TWO PERSONS ARE REQUIRED TO SET UP
DO NOT USE POWER TOOLS**

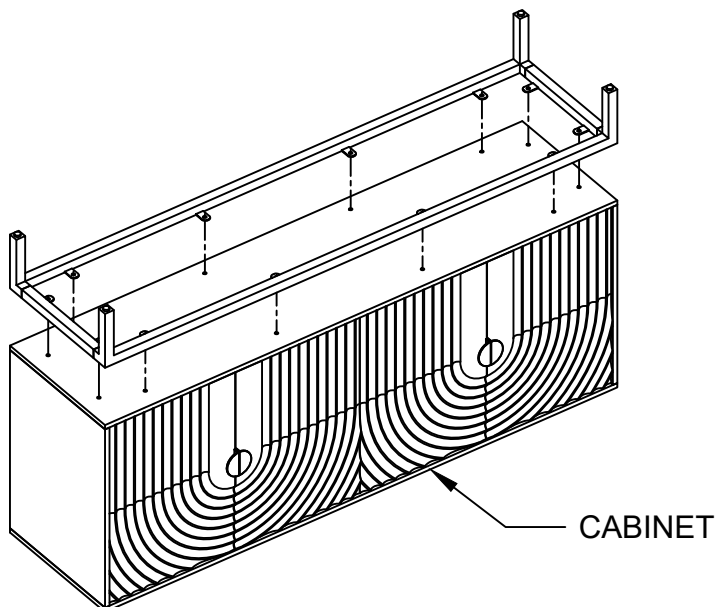
STEP 1.

Lay the front and side leg frames upside down on a clean padded surface to prevent scratches. Insert the side leg frame into the front frame and align the bolt holes of each side of the frame as shown below.



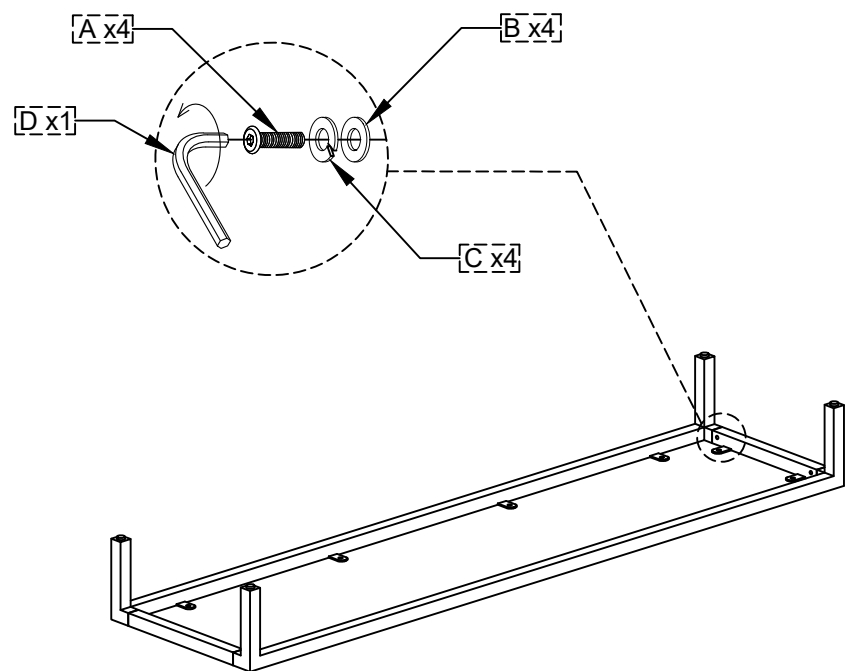
STEP 3.

Lay the cabinet upside down on a clean padded surface to prevent scratches. Lay the leg frame upside down on the cabinet and align the holes with the threads in the cabinet.



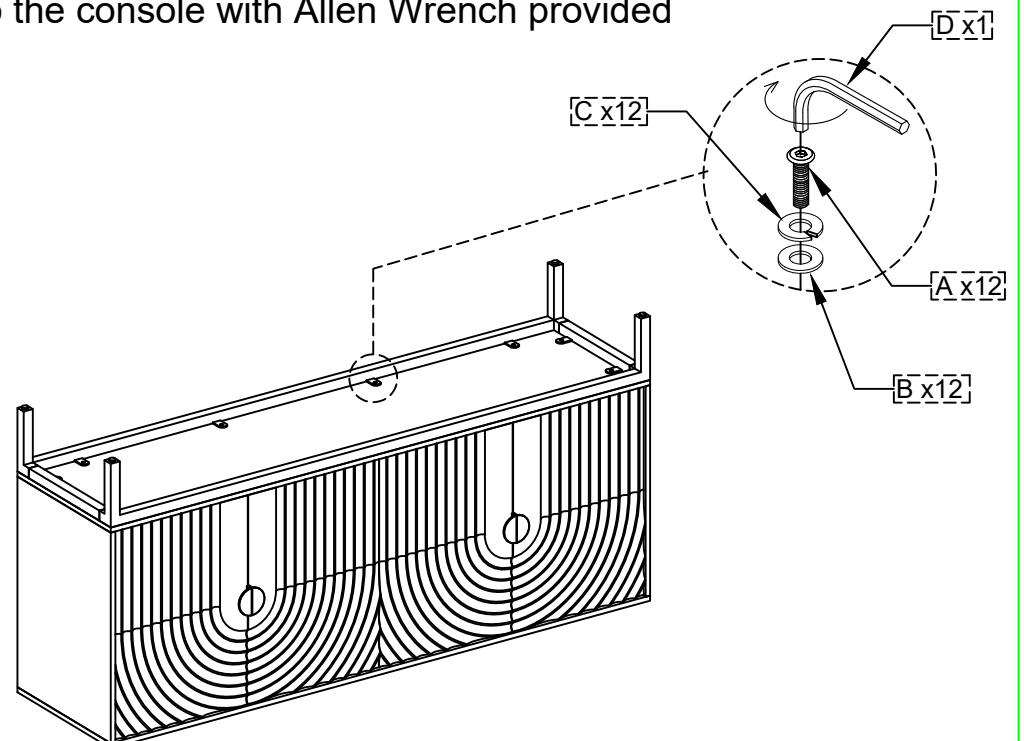
STEP 2.

Insert a bolt with a lock and flat washer into the frame hole and hand tighten all the bolts. Do not fully tighten at this point.



STEP 4.

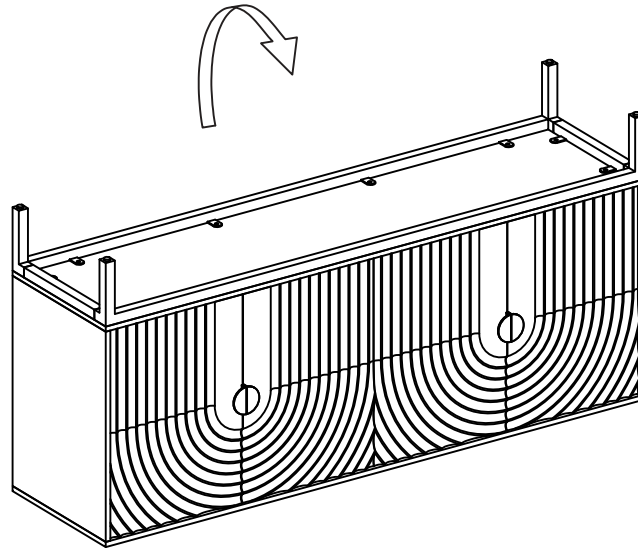
Attach leg frame to the cabinet using a flat washer, lock washer and bolt. Tighten the four bolts on the leg frame first. Fully tighten the remaining bolts to secure the frame to the console with Allen Wrench provided.



ASSEMBLY INSTRUCTIONS & PARTS IDENTIFICATION DOOR ACCENT CABINET

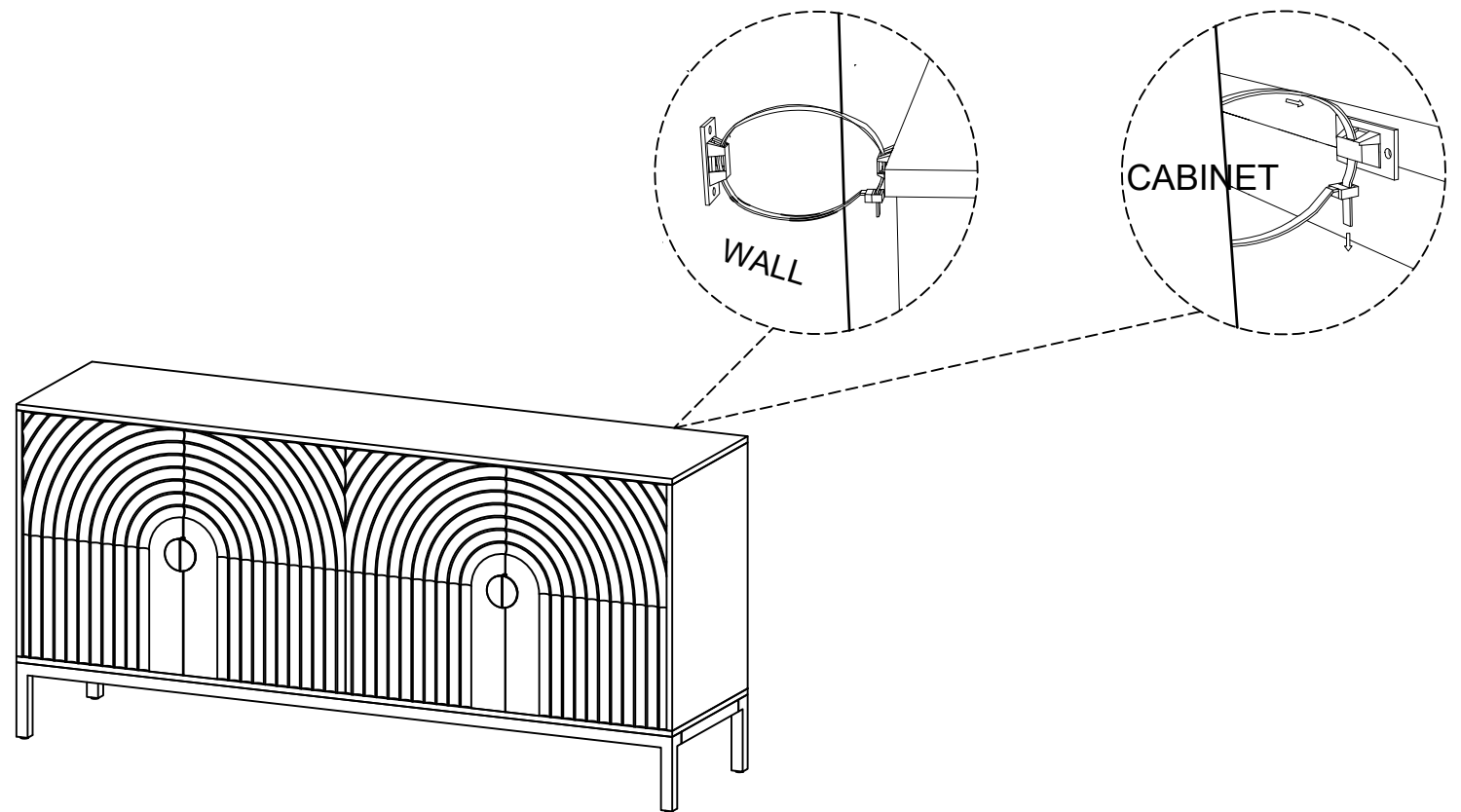
STEP 5.

Using a Second person to assist you, carefully position the entire assembly upright



STEP 6.

ANTI-TIP KIT
REFER TO THE
HARDWARE PACKAGE
FOR FULL ASSEMBLY
INSTRUCTION



PLEASE NOTE:

To avoid the possibility of the furniture tipping and injury, the anti-tip hardware must be installed

STEP 7.

Assembly is now complete and your product is ready for use. Levelers are located on the bottom of each leg and may be used for additional adjustment if needed for uneven surfaces.

