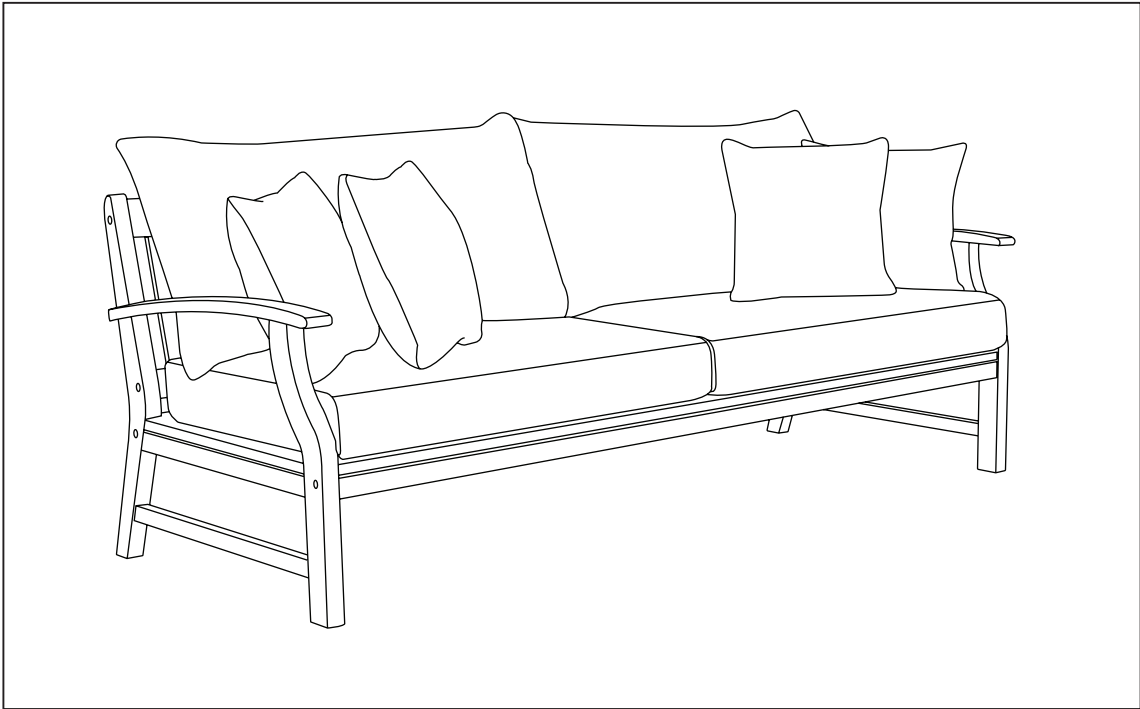


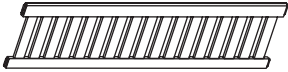
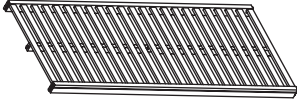


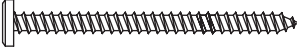


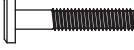




# 74" Sofa



## ASSEMBLY INSTRUCTIONS

**IMPORTANT, RETAIN FOR FUTURE REFERENCE.  
READ CAREFULLY.**

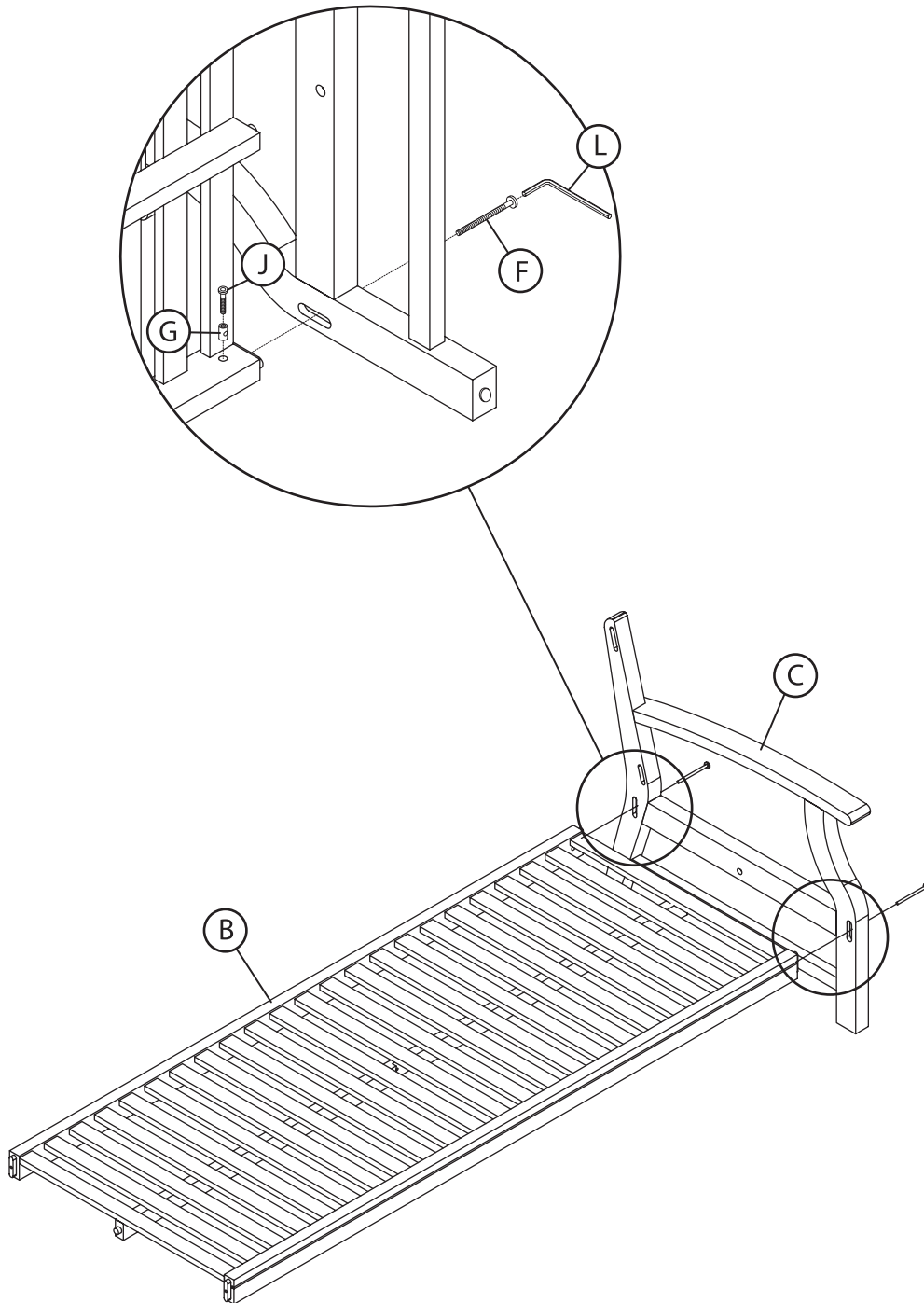
## PARTS LIST

NO.	PICTURE	PART DESCRIPTION	QTY.
A		Sofa back	1
B		Sofa seat	1
C		Leg frame	2
D		Post leg	2
E		Screw (M7 x 90)	4
F		Bolt (M8 x 80)	4
G		Barrel nut	4
H		Bolt (M6 x 35)	4
I		Cap for (M6 x 35) bolts	4
J		Bolt (M8 x 40)	1
K		Plastic cap	8
L		Allen wrench	2

# Step 1.

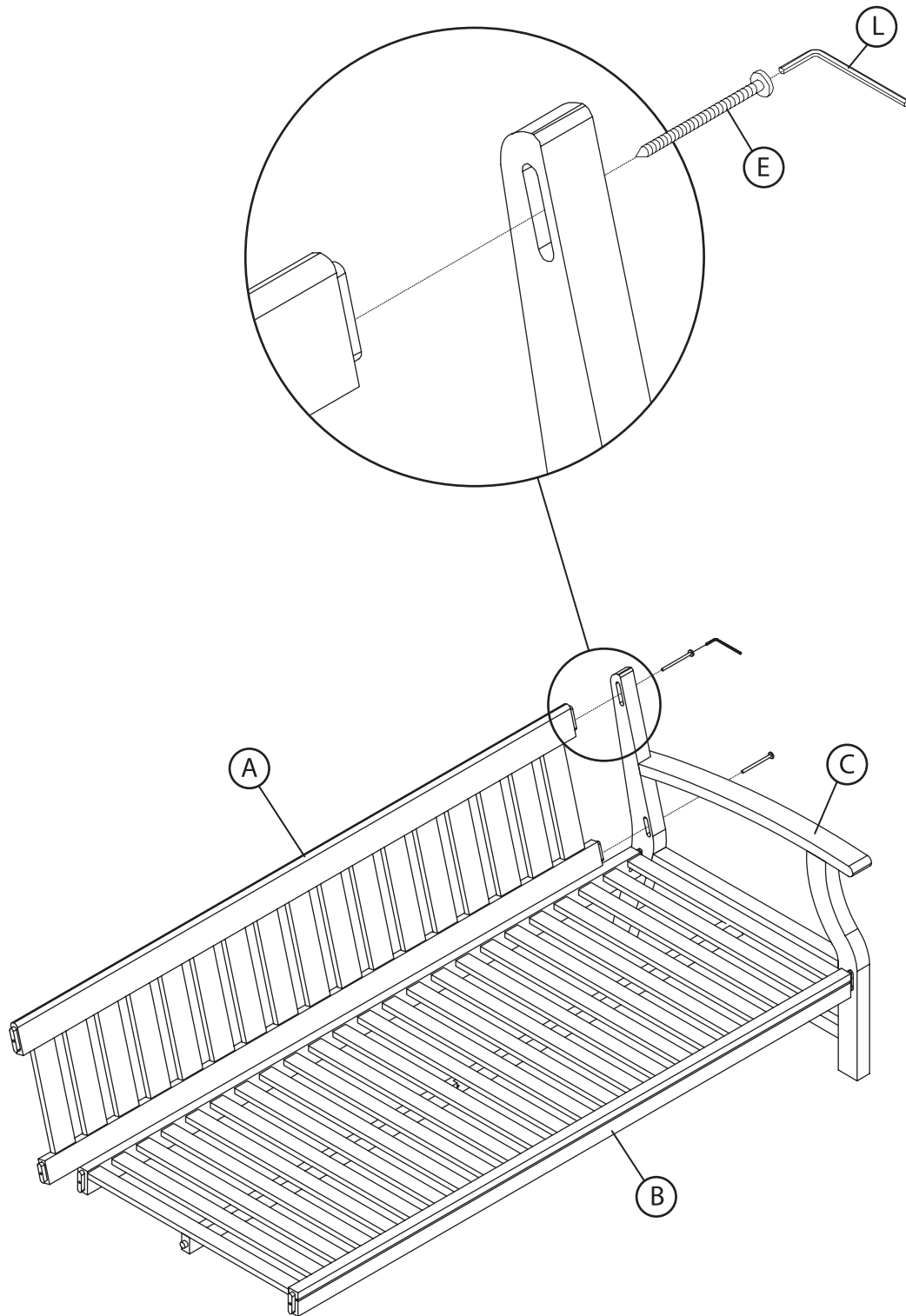
**ATTACH SEAT TO LEG FRAME** - Attach seat (B) to leg frame (C) using bolts (F), barrel nuts (G), and allen wrench (L).

**ATTENTION:** Use bolt (J) as an extension to insert barrel nut (G) into the hole found on seat (B). Screw the bolt into the top of the barrel nut. Once bolt (F) is secured through the frame and into the barrel nut (G), remove bolt (J) from barrel nut (G).



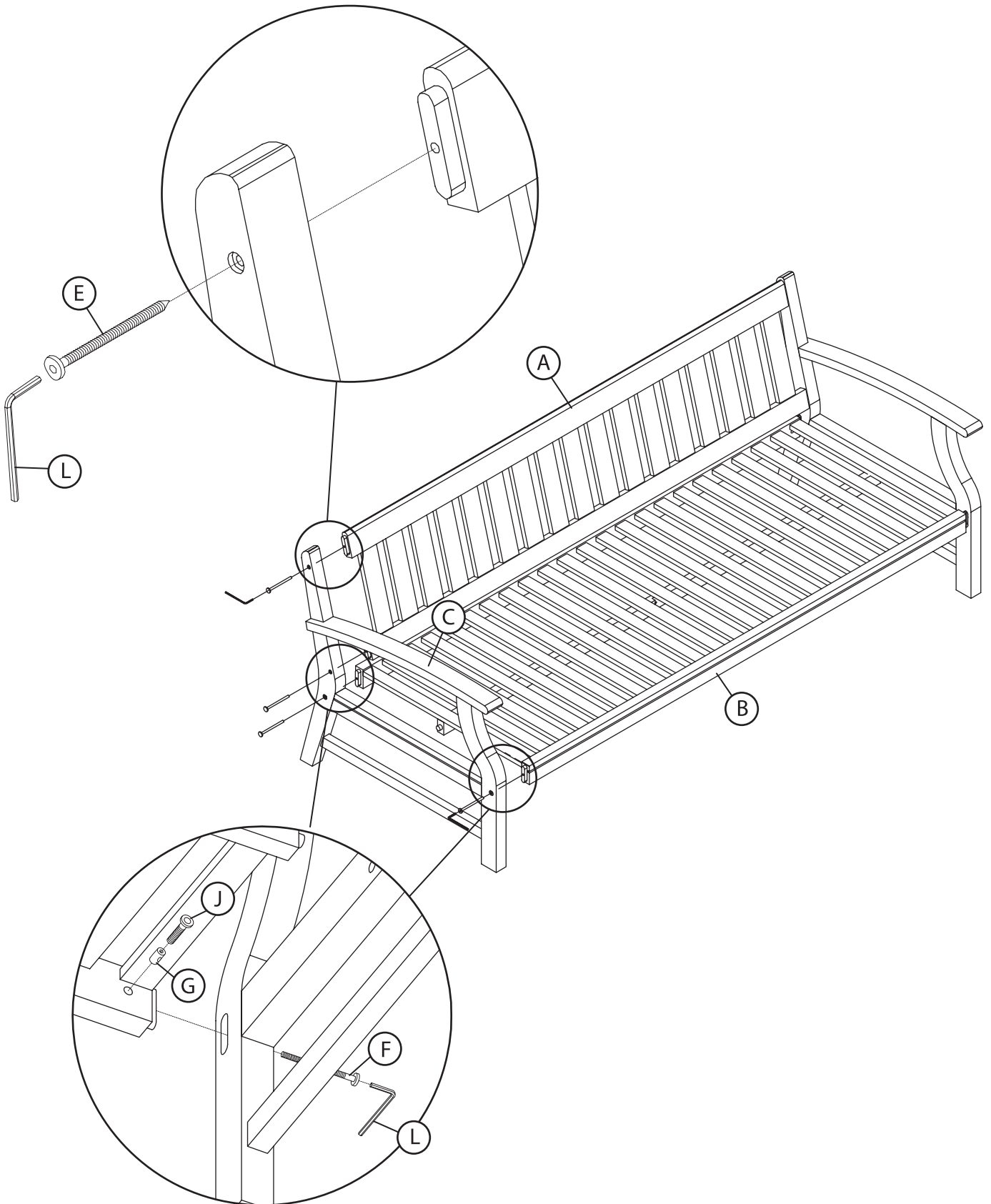
## Step 2.

**ATTACH BACK TO LEG FRAME-** Attach back (A) to leg frame (C) using screws (E) and allen wrench (L).



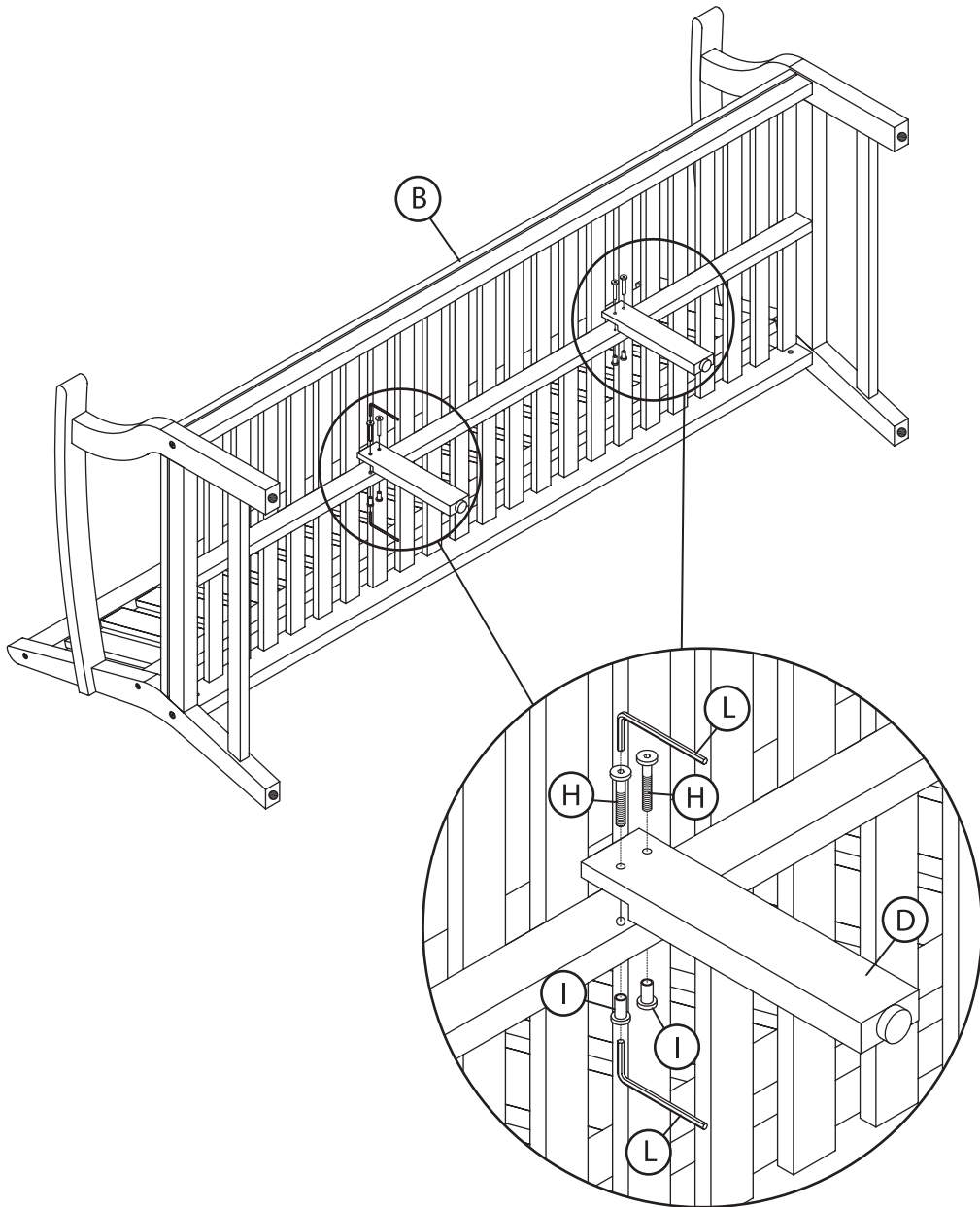
### Step 3.

**ATTACH SEAT AND BACK TO REMAINING LEG FRAME-** Repeat steps 1 and 2 to attach seat (B) and back (A) to remaining leg frame (C).



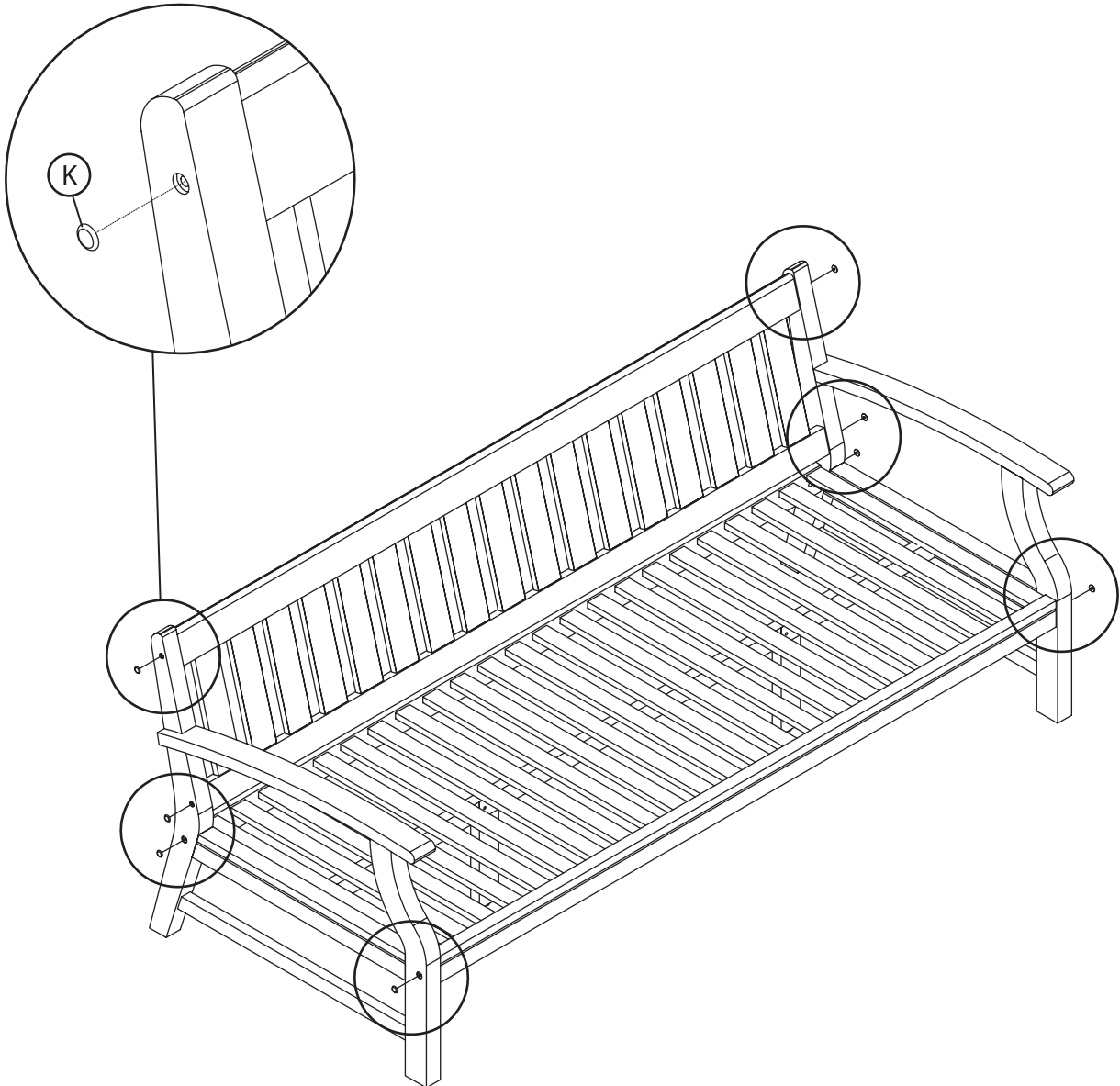
# Step 4.

**ATTACH POST LEGS TO SEAT-** Attach post legs (D) to the bottom of seat (B) using bolts (H), bolt caps (I), and allen wrenches (L).



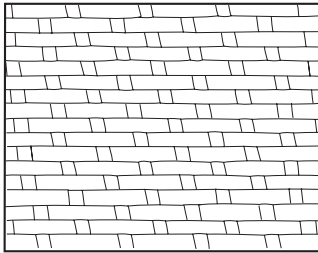
## Step 5.

**INSERT PLASTIC CAPS INTO BOLT HEADS-** Insert plastic caps (K) into exposed bolt heads found on the chair's leg frames.



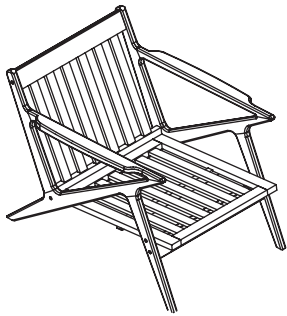
# Care and Maintenance

All outdoor furniture is subject to UV rays and weather elements. In order to keep your furniture as long lasting and vibrant as possible, we advise using furniture covers or storing the furniture when not in use.



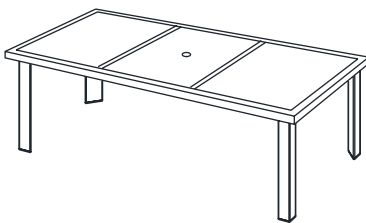
## WICKER

Simply washing your wicker with a mild detergent and protecting it as much as possible by covering and or storing it when not in use for long periods of time is sufficient.



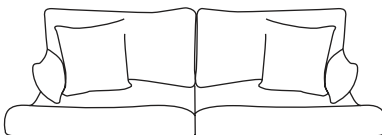
## WOOD FRAMES

Make sure all surfaces are protected from heat and liquids. Wipe up spills immediately and do not place furniture next to a heat source such as radiators or fires. All timber surfaces may change color. Spray polishes are best to avoid as they contain silicones which may spoil the surface by building up overtime. Check bolts and screws regularly and tighten when necessary.



## STONE TOPS/ TABLE TOPS

Spills should be wiped up quickly to avoid any staining on the surface. Regular cleaning with mild soap and water with a sponge or soft scrub brush is all that is required. Storing or covering your natural stone top when not in use for extended periods of time is recommended.



## FABRICS

Wipe off spills with a cloth and water. fabrics designed to protect and last for several years. fabrics are treated with a proprietary water and stain repellent.