

10 : 00

---

estimated  
installation time



1 or more

---

people required

Ok, let's  
get started!



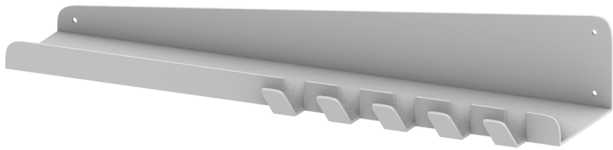
- Put on mood music!
- To prevent damage to product, use the clean side of package carton or rug as working surface.
- In the event of missing or damaged parts, delivery problems etc., please reach out to our team.  
We will be happy to fix the problem!

# care guide

- Clean regularly with a soft and dry cloth.
- To protect finish, avoid use of abrasive cleaners.
- Wipe up spills immediately. Please!

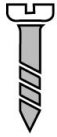


# product parts



(A)  
Shelf  
x1

# what's included



(B) - Screw  
x3



(C) - Wall Plug  
x3

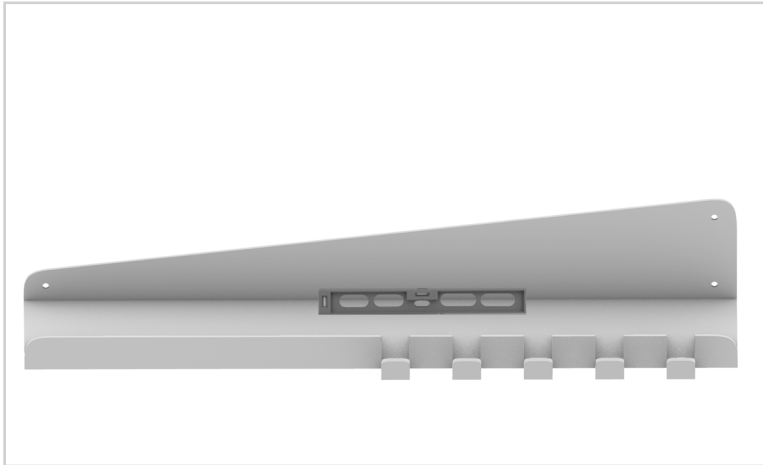
## installation instructions

Take a deep breath going in.  
This is easy even if you are not  
used to tools. Just follow these  
steps to the T, and the  
outcome will be  
worth it!



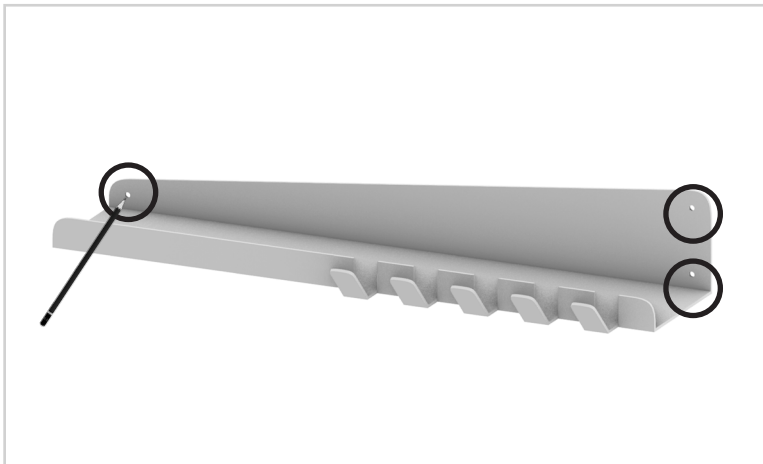
## step 1:

Begin by placing shelf (A) on the wall and put a spirit level on it to check the alignment. Adjust if needed.



## step 2:

Once the shelf is in a straight alignment, use a pencil to mark three points through the holes given on the shelf. Take this image as a reference.



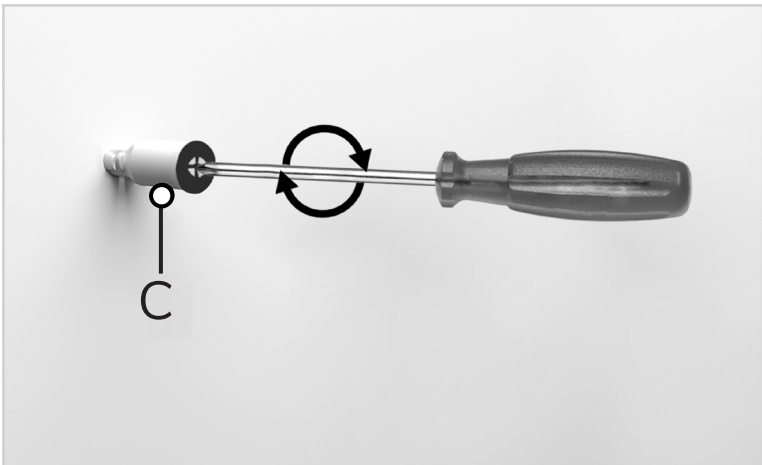
step 3:

Now, drill holes at the points you just marked. Be careful, safety first!



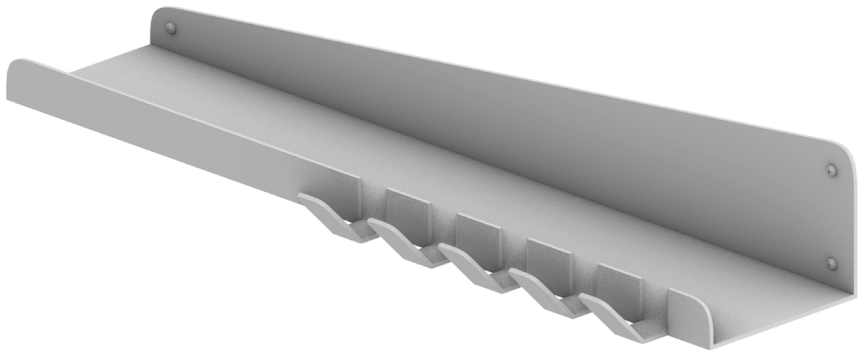
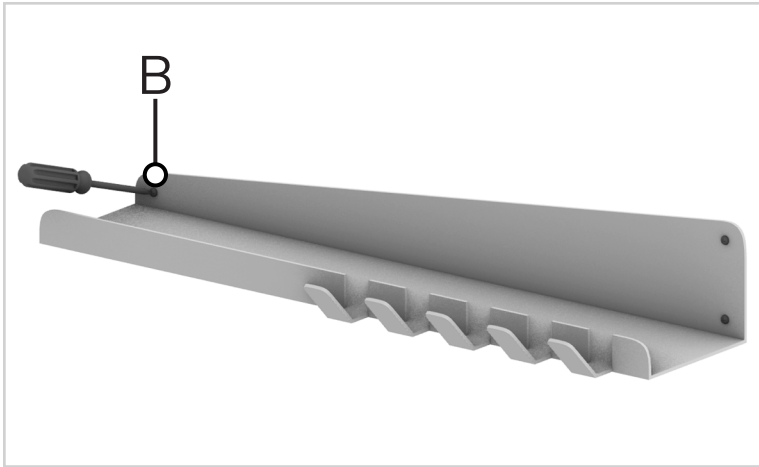
step 4:

Insert wall plugs (C) using a screwdriver.



step 5:

Then, place the shelf over the wall plugs and insert screws (B) into the wall plugs using a screwdriver.



---

**Voila! Your shelf is now installed and secure!**

you've  
got  
a home  
with us

