

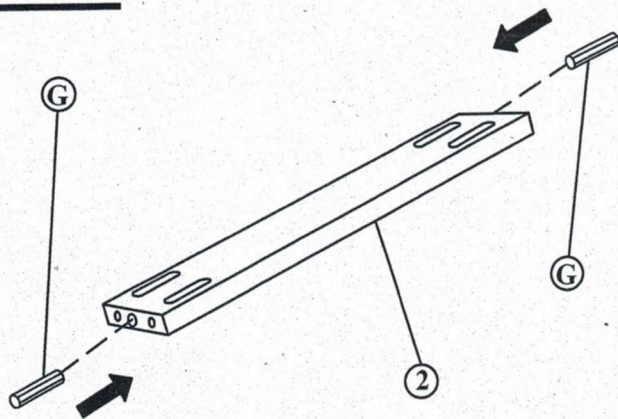
IMPORTANT NOTE :

- Place all wooden parts on a clean and smooth surface such as a rug or carpet to avoid the parts from being scratched.
- Check to be sure that you have all parts and hardware.
- Remove all wrapping materials, including staples & packing straps before you start to assemble.
- Do not tighten all screws/bolts until all completely assembled.
- Keep all hardware parts out of reach of children.

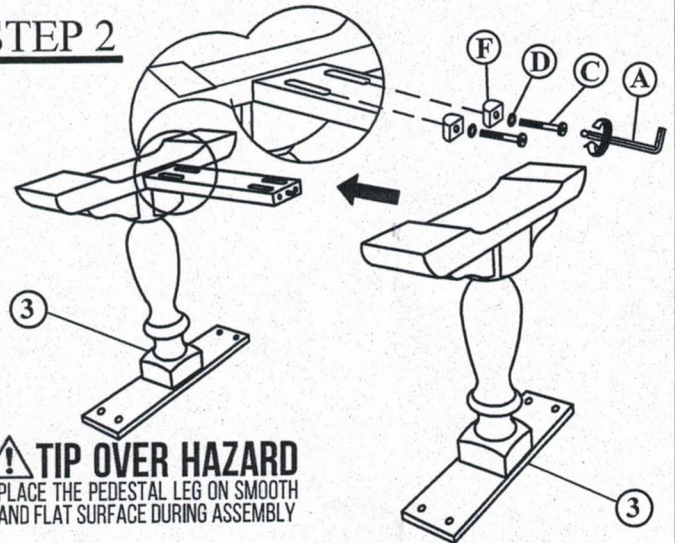
PARTS LIST		
NO.	COMPONENT	QTY.
1	TABLE TOP	1 PCS
2	LOWER STRETCHER	1 PCS
3	LEG ASSEMBLY	2 PCS

HARDWARE LIST		
NO.	DESCRIPTION	QTY.
A	M4 x 100MM ALLEN KEY	1 PCS
B	M6 x 30MM SCREW	8 PCS
C	M6 x 50MM SCREW	4 PCS
D	M6 x 13MM SPRING WASHER	12 PCS
E	M6 x 19MM FLAT WASHER	8 PCS
F	D SHAPE SPACER	4 PCS
G	M10 x 30MM WOOD DOWEL	2 PCS

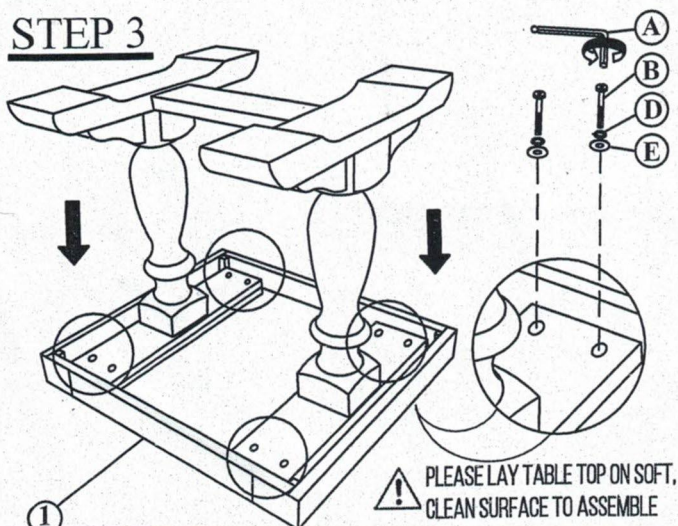
STEP 1



STEP 2



STEP 3



STEP 4

