



**PLEASE DO NOT RETURN TO THE STORE!**

Missing or damaged parts? Contact us for free replacements and get an extra 6-month warranty.  
E-mail: Nicesure-aftersales@outlook.com.

## ASSEMBLY INSTRUCTION:

### 1.Initial Tightening

Use a hex key (Allen wrench), not a power drill, to tighten each screw to about 50% before fully securing any of them. Fully tightening one screw too early may cause others to misalign.

### 2.Final Tightening

Once all parts are aligned, gradually and evenly tighten all screws using the proper tools.

### 3.Misalignment Fix

If some screws don't line up, loosen all screws to 50%, adjust the parts, and try again.

### 4.Stability Issue

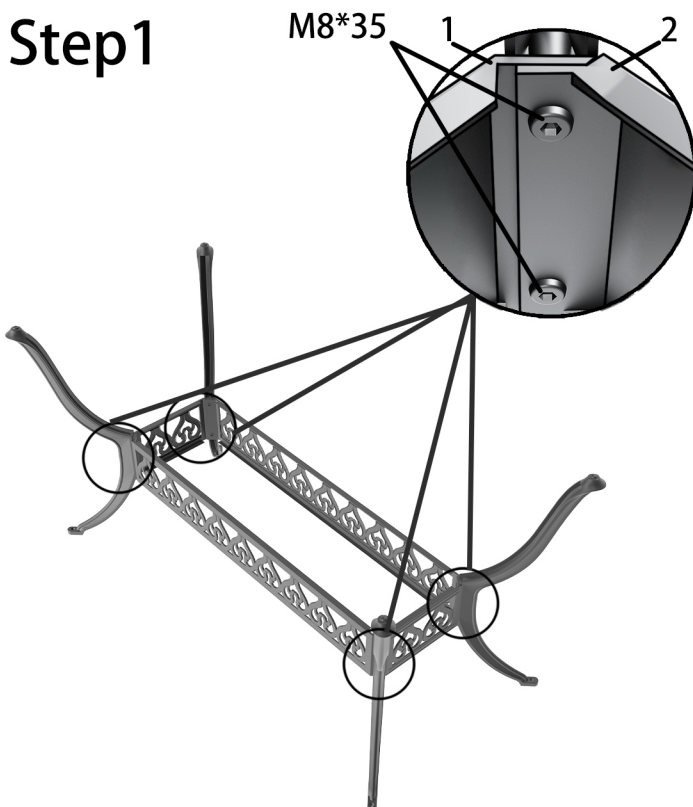
If the item feels unstable, loosen all screws, adjust it on a flat surface, then retighten them evenly.

## Hardware Fittings

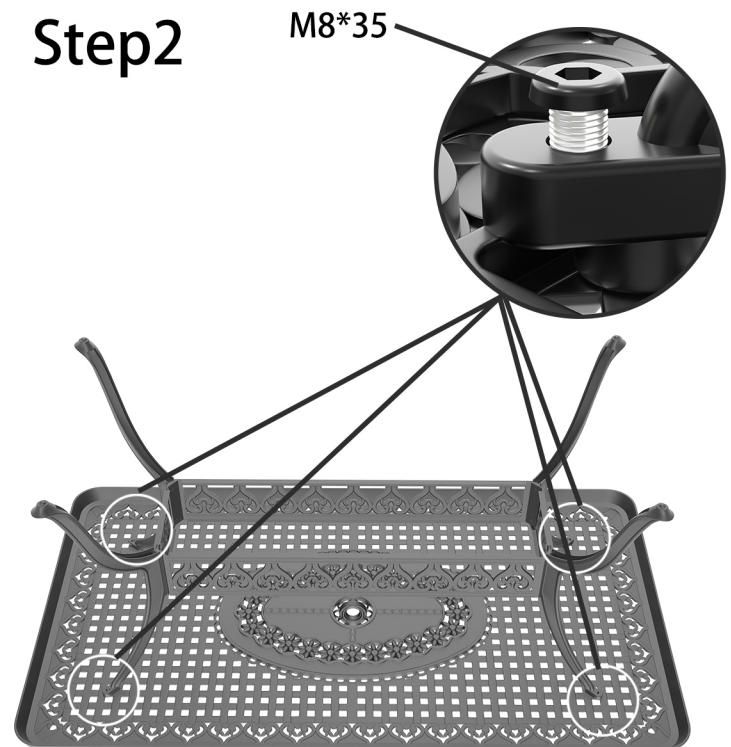
Item No.	Reference Image	Description	Qty.	Extra Spare Parts Qty.
A		screw M8*35	12	1
B		washer for M8	12	1
C		spring washer for M8	12	1
D		nut for M8	12	1
E		Screw cap	12	1
F		Adjustable foot pads	4	1

Item No.	Reference Image	Description	Qty.	Extra Spare Parts Qty.
G		allen key for M8	1	0
H		Spanner for M8	1	0
I				
J				
K				
L				

### Step1



### Step2





# PLEASE DO NOT RETURN TO THE STORE!

Missing or damaged parts? Contact us for free replacements and get an extra 6-month warranty.  
E-mail: Nicesure-aftersales@outlook.com.

## ASSEMBLY INSTRUCTION:

### 1.Initial Tightening

Use a hex key (Allen wrench), not a power drill, to tighten each screw to about 50% before fully securing any of them. Fully tightening one screw too early may cause others to misalign.

### 2.Final Tightening

Once all parts are aligned, gradually and evenly tighten all screws using the proper tools.

### 3.Misalignment Fix

If some screws don't line up, loosen all screws to 50%, adjust the parts, and try again.

### 4.Stability Issue

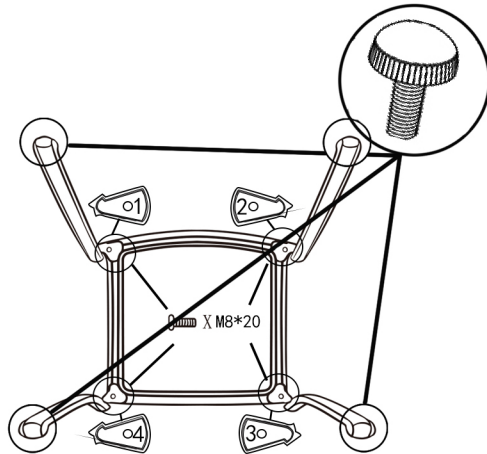
If the item feels unstable, loosen all screws, adjust it on a flat surface, then retighten them evenly.

## Hardware Fittings

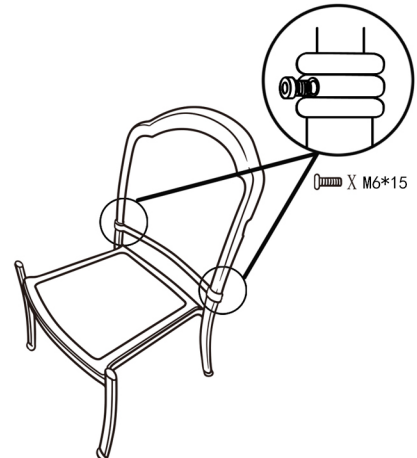
Item No.	Reference Image	Description	Qty.	Extra Spare Parts Qty.
A		screw M8*20	6	1
B		screw M6*15	4	1
C		spring washer for M6	4	1
D		spring washer for M8	6	1
E		washer for M6	4	1
F		washer for M8	6	1
G		Adjustable foot pads	4	1

Item No.	Reference Image	Description	Qty.	Extra Spare Parts Qty.
H		Screw cap	10	1
I		allen key for M6	1	0
J		allen key for M8	1	0
K				
L				
M				
N				

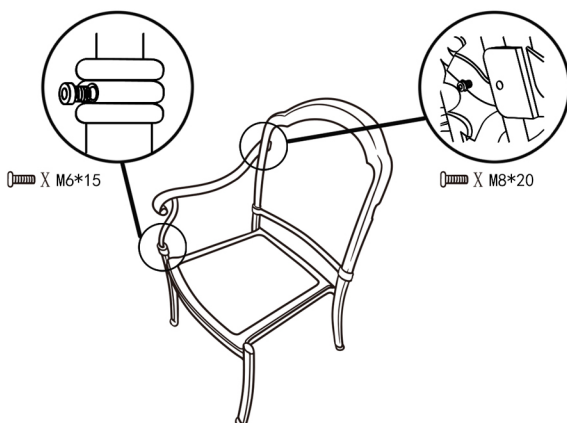
### Step1



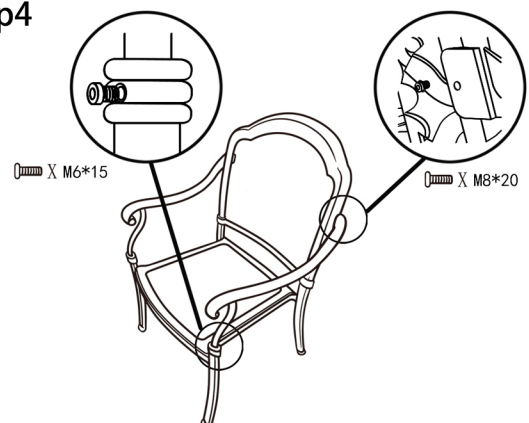
### Step2



### Step3



### Step4





# PLEASE DO NOT RETURN TO THE STORE!

Missing or damaged parts? Contact us for free replacements and get an extra 6-month warranty.  
E-mail: Nicesure-aftersales@outlook.com.

## ASSEMBLY INSTRUCTION:

### 1.Initial Tightening

Use a hex key (Allen wrench), not a power drill, to tighten each screw to about 50% before fully securing any of them. Fully tightening one screw too early may cause others to misalign.

### 2.Final Tightening

Once all parts are aligned, gradually and evenly tighten all screws using the proper tools.

### 3.Misalignment Fix

If some screws don't line up, loosen all screws to 50%, adjust the parts, and try again.

### 4.Stability Issue

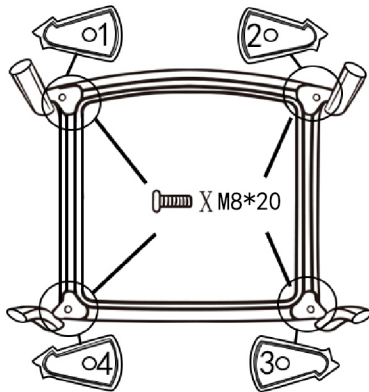
If the item feels unstable, loosen all screws, adjust it on a flat surface, then retighten them evenly.

## Hardware Fittings

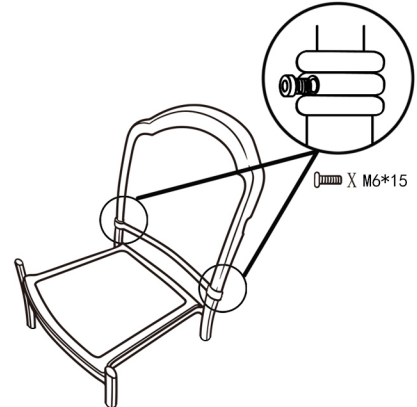
Item No.	Reference Image	Description	Qty.	Extra Spare Parts Qty.
A		screw M8*20	6	1
B		screw M6*15	4	1
C		spring washer for M6	4	1
D		spring washer for M8	6	1
E		washer for M6	4	1
F		washer for M8	6	1
G		Screw cap	10	1

Item No.	Reference Image	Description	Qty.	Extra Spare Parts Qty.
H		allen key for M8	1	0
I		allen key for M6	1	0
J				
K				
L				
M				
N				

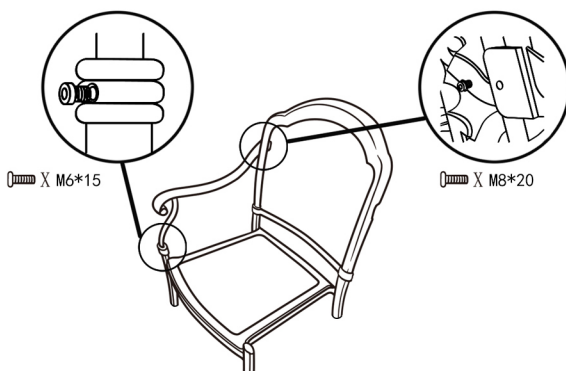
### Step1



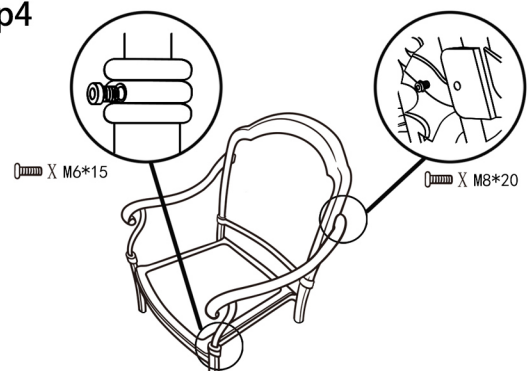
### Step2



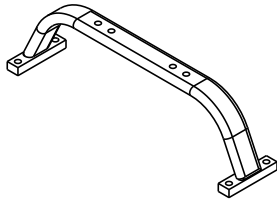
### Step3



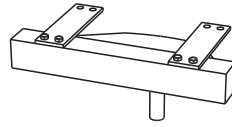
### Step4



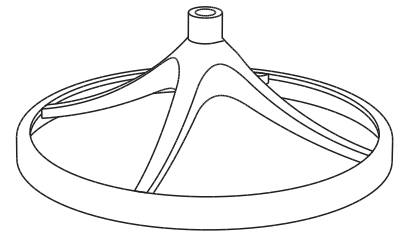
## Part List



A.  
Bracket  
1 pc.

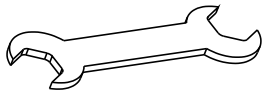


B.  
Connector  
1 pc.

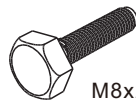


C.  
Base  
1 pc.

## Hardware List



Spanner  
1 pc



M8x20  
Bolt  
4 pcs



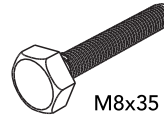
Flat Washer  
4 pcs



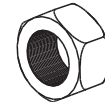
Spring Washer  
8 pcs



Flat Washer  
2 pcs



M8x35  
Bolt  
4 pcs

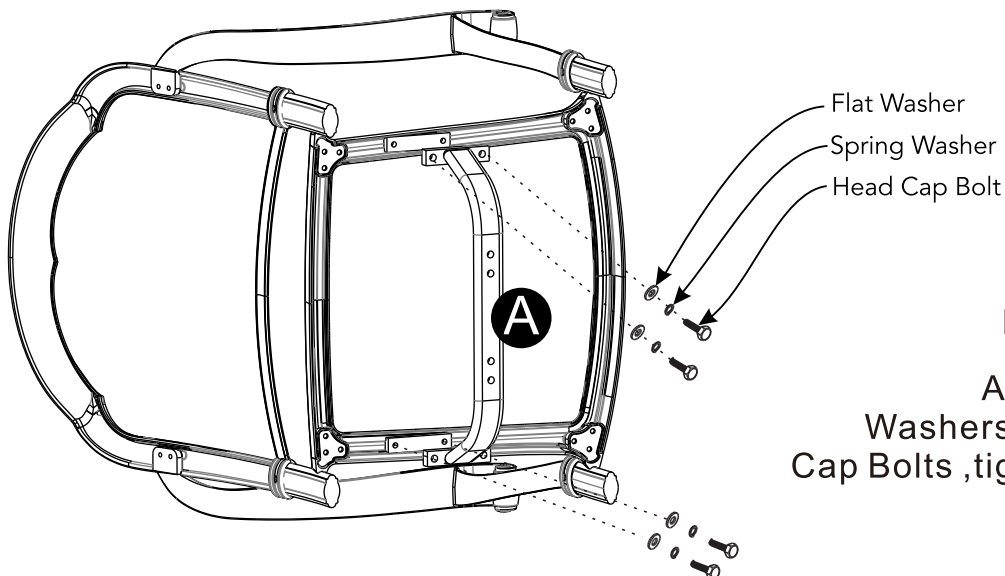


Nut  
4 pcs

## Assembly Instructions 1/2

### IMPORTANT

- Use a soft cloth between these parts and the floor.
- Do not use power tools above 8 volts to assemble.
- Do not tighten all the bolts until each part is properly assembled.
- The unit must be level to work properly. Use the included adjustable levelers to level.
- Keep Wrench as the bolts may need to be tightened in the future.



### STEP 1

Place frame on a soft cloth.

Attach unit to Frame with Flat Washers , Spring Washers and Head Cap Bolts ,tightening bolts only halfway .

Tighten all Bolts .

## STEP 2

Attach unit to Connector (B) with Bolts, Flat Washers, Spring Washers and Nuts, tightening bolts and nuts only halfway. (See Figure 1)

Tighten all Bolts and Nuts.

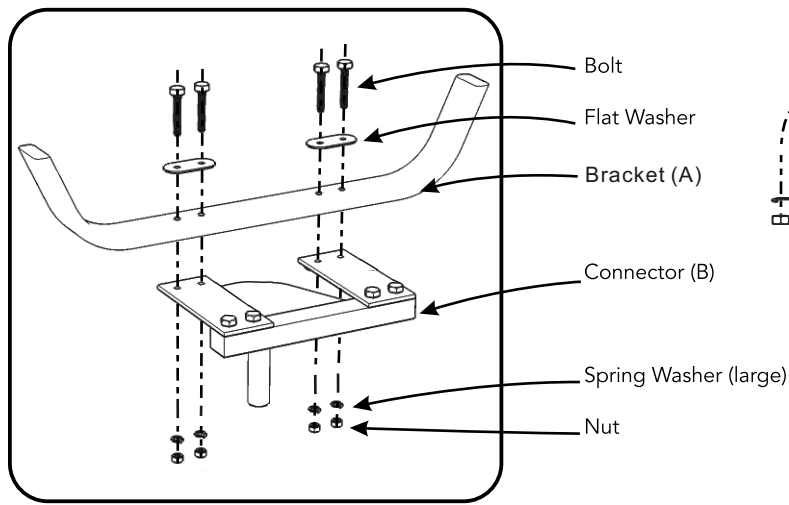
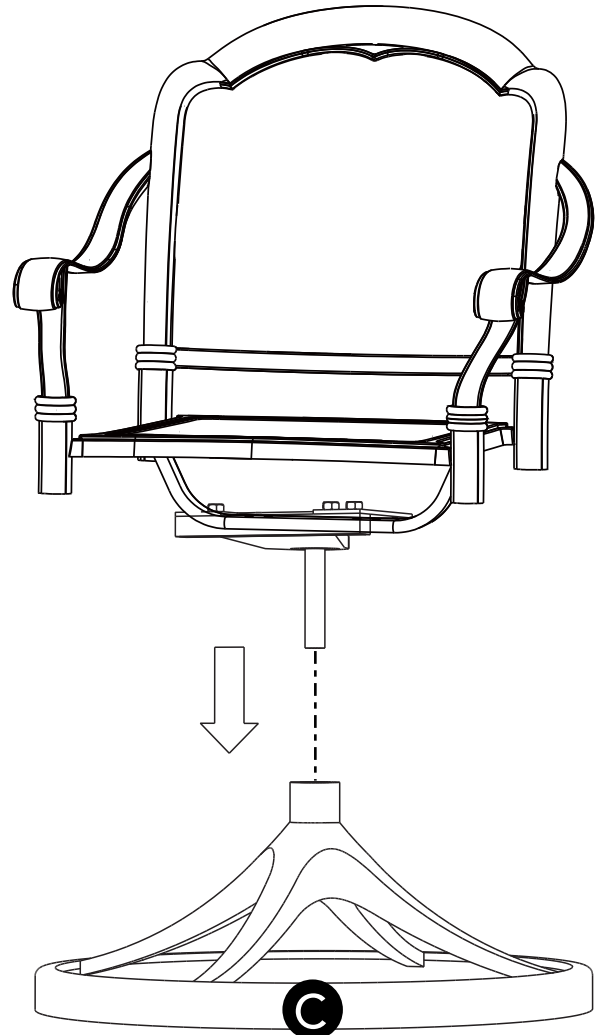
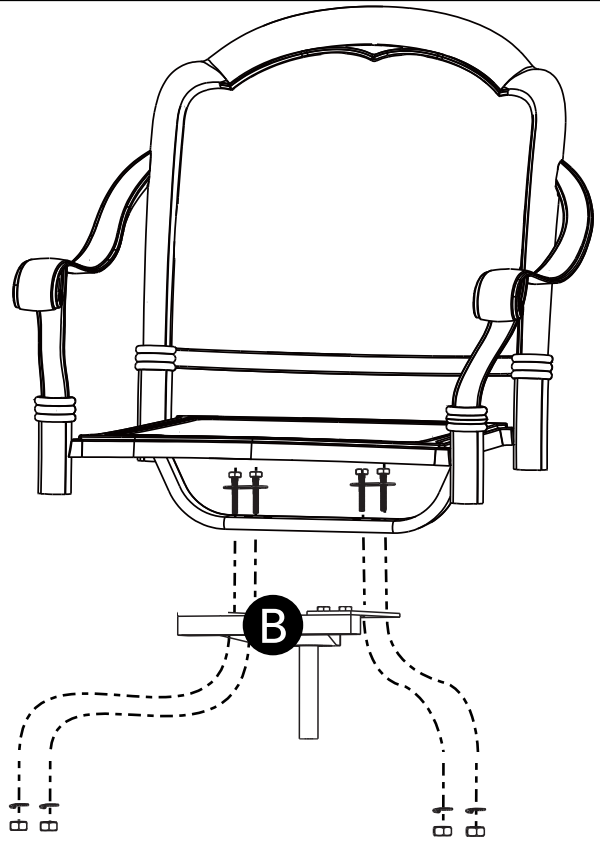


Figure 1



## STEP 3

Place unit onto Base (C).