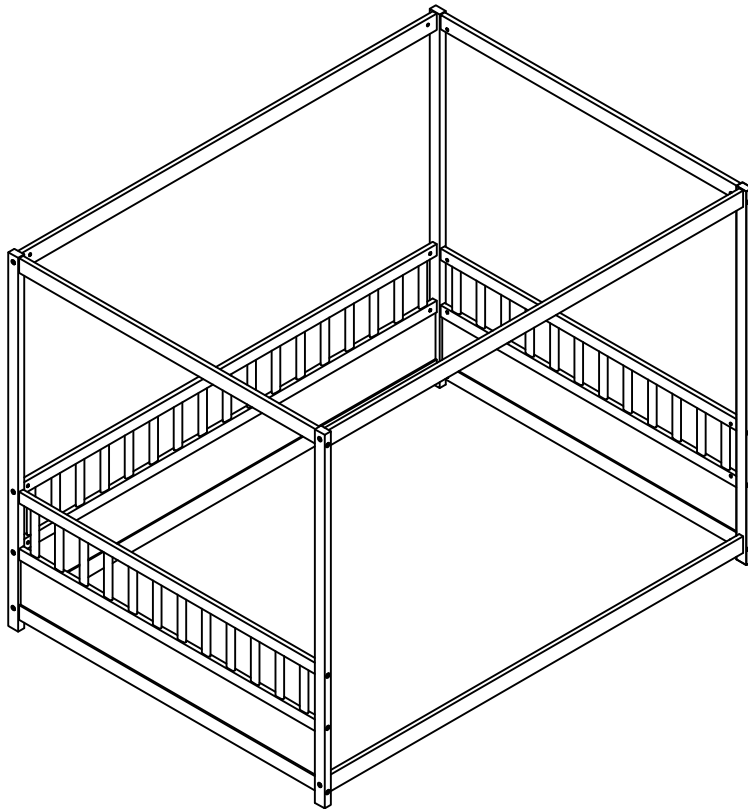


# ASSEMBLY INSTRUCTIONS

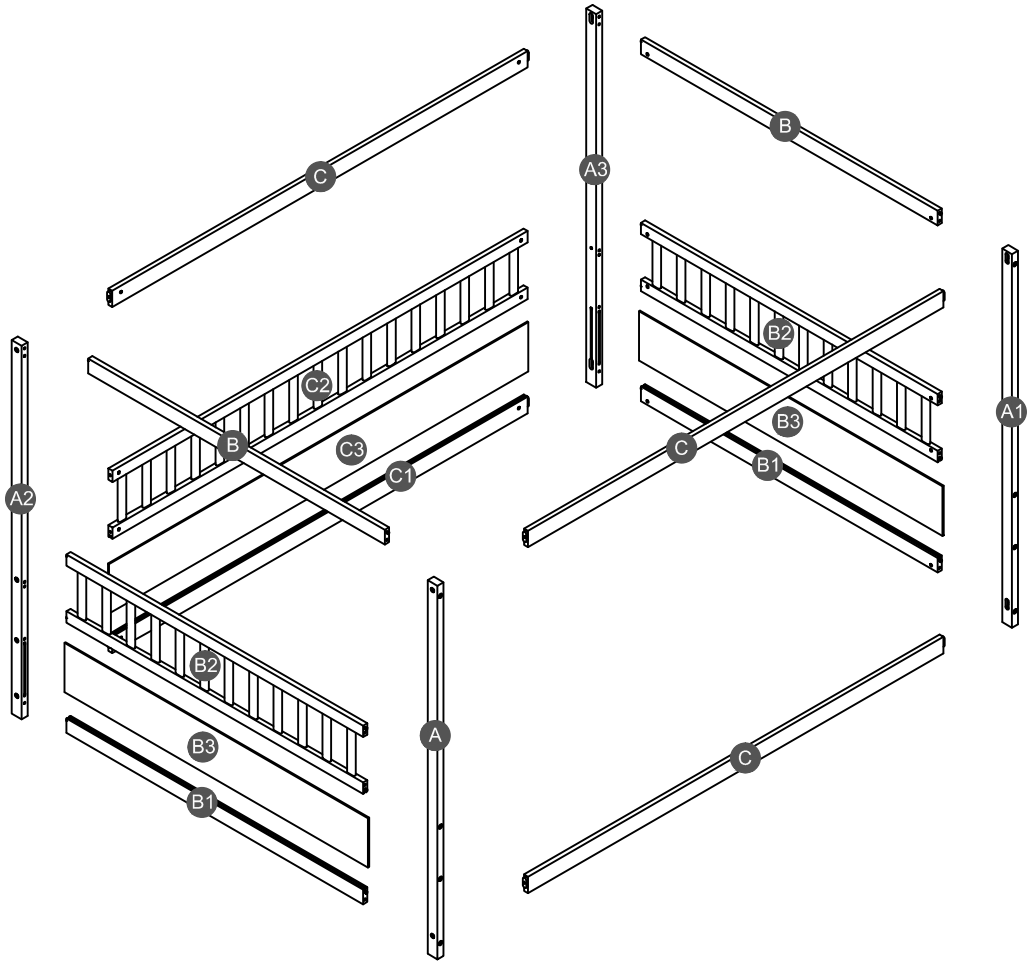
## FULL CANOPY FLOOR BED



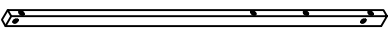
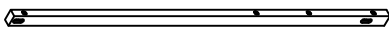
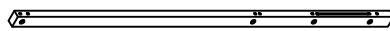
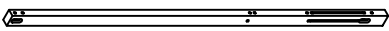
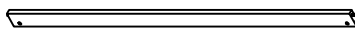
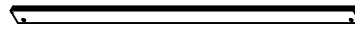
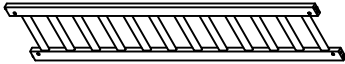
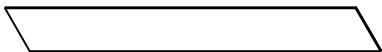
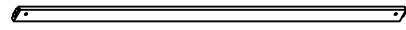
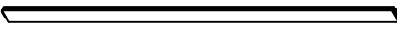


**SWB-020-F**

Contact us: [vip-service2024@yeah.net](mailto:vip-service2024@yeah.net)

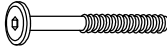


# Detail View



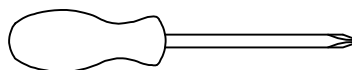
# Part List

<b>A</b>  Leg (left front) - 1pc	<b>A1</b>  Leg (right front) - 1pc	<b>A2</b>  Leg (left back) - 1pc
<b>A3</b>  Leg (right back) - 1pc	<b>B</b>  Upper horizontal bar HB/FB - 2pcs	<b>B1</b>  Lower horizontal bar HB/FB - 2pcs
<b>B2</b>  Frame HB/FB - 2pcs	<b>B3</b>  Side panel HB/FB - 2pcs	<b>C</b>  Horizontal bar - 3pcs
<b>C1</b>  Low horizontal bar (back) - 1pc	<b>C2</b>  Guard rail (back) - 1pc	<b>C3</b>  Side panel (back) - 1pc

# Hardware List

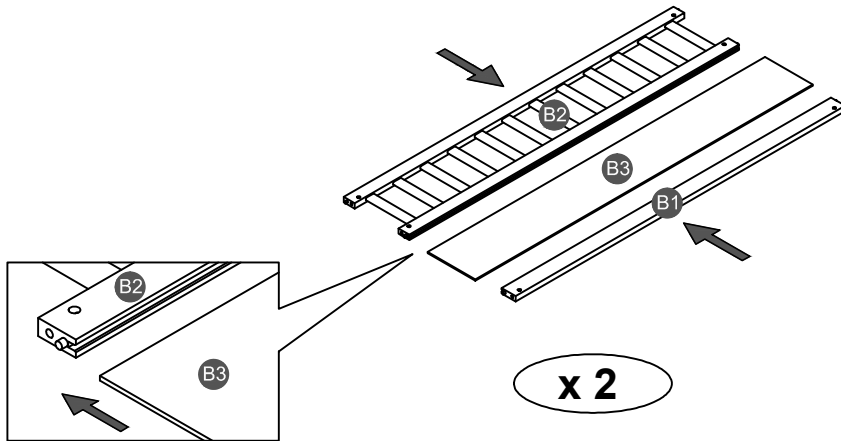
<b>1</b>  (Ø15)1/4"*80mm Hex-Head bolts (28pcs)	<b>2</b>  1/4"*15 (9.5mm) Horizontal-Hole bolts(28pcs)	<b>3</b>  (1/4")4.5*58mm Allen key (1pc)
---	--	--

ASSEMBLY TOOLS REQUIRED ( NOT INCLUDED )



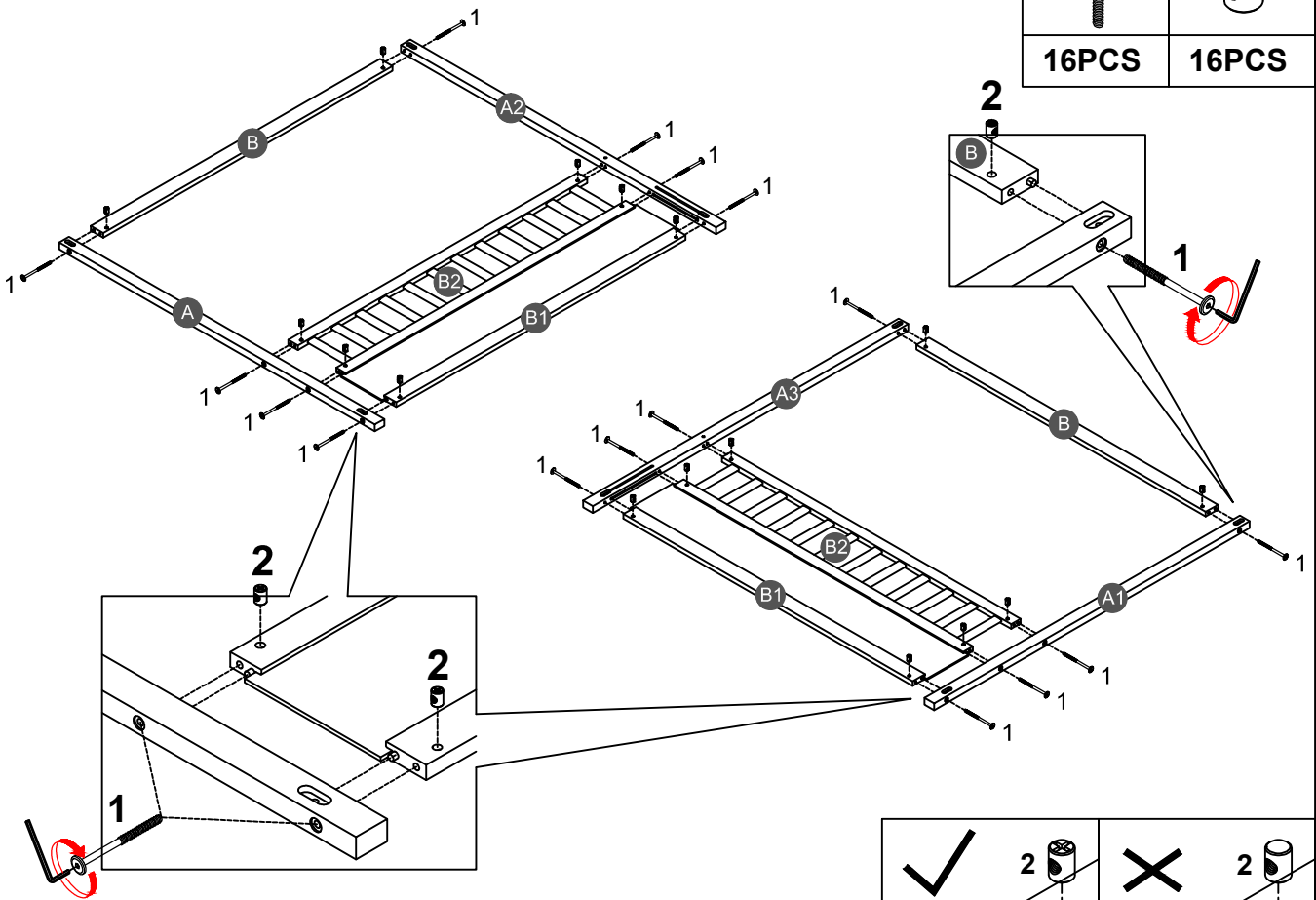
PLEASE BE CAREFUL DO NOT DAMAGE THE HOLE POSITION WHEN YOU USE POWER TOOLS !

**STEP 1:**

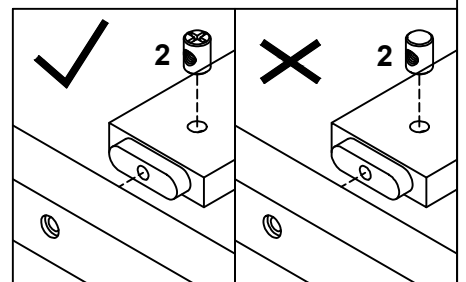


**STEP 2:**

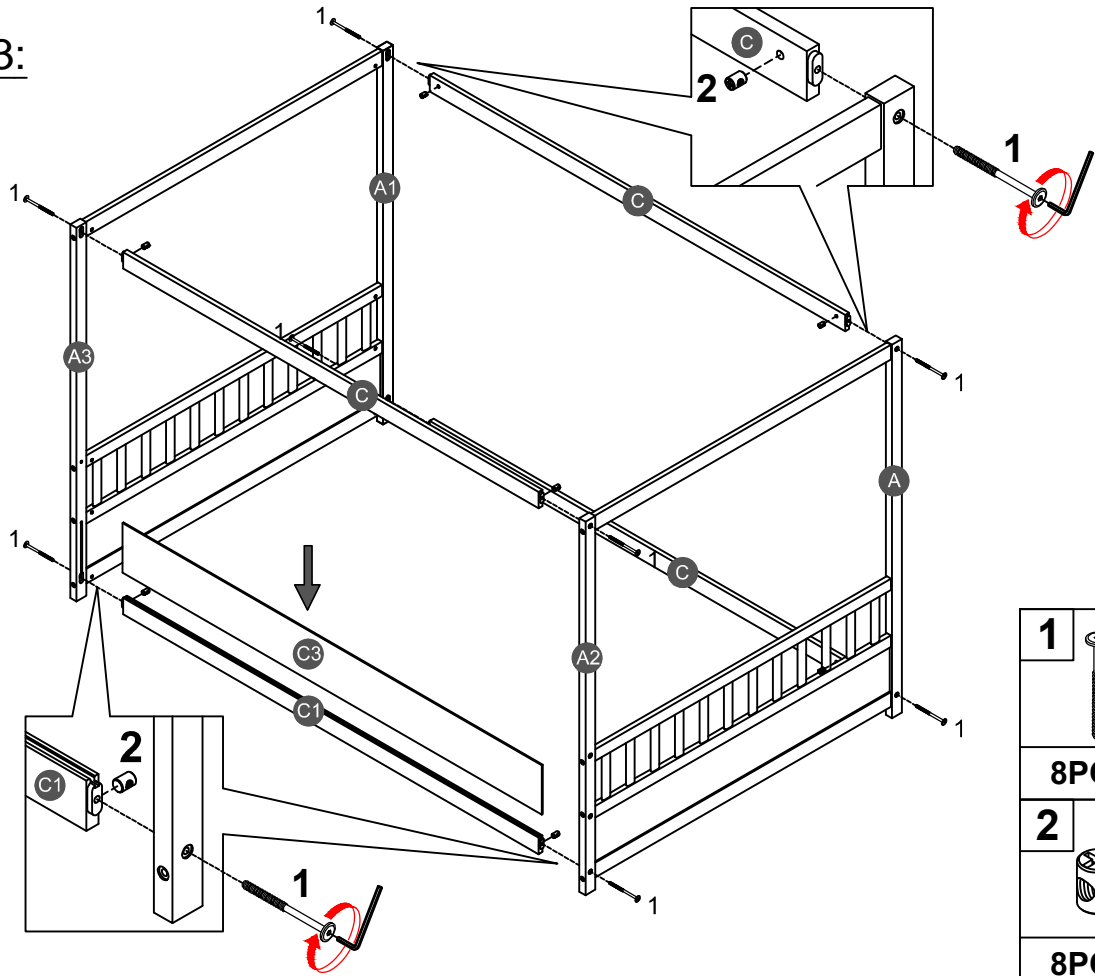
<b>1</b>		<b>2</b>	
	16PCS		16PCS





Note: Part 2 will face up with the "x" mark on it, otherwise it cannot be tightened

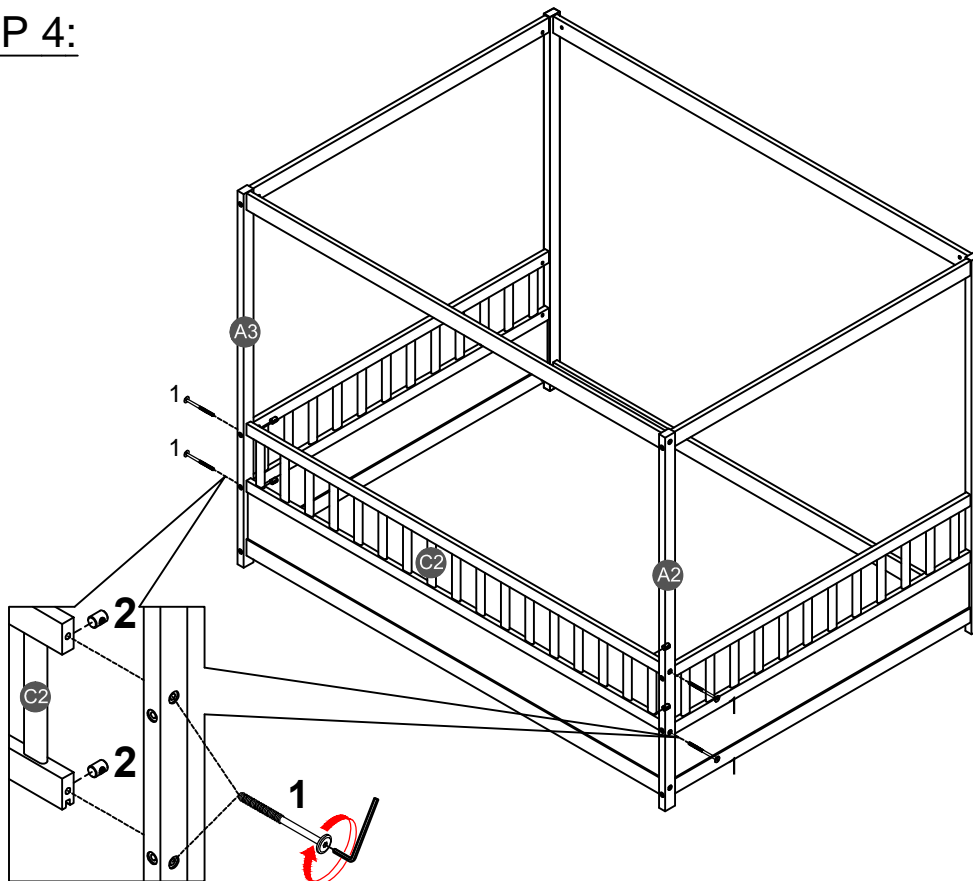




**STEP 3:**



1	
8PCS	
2	
8PCS	

**STEP 4:**



1	
4PCS	
2	
4PCS	

