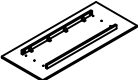






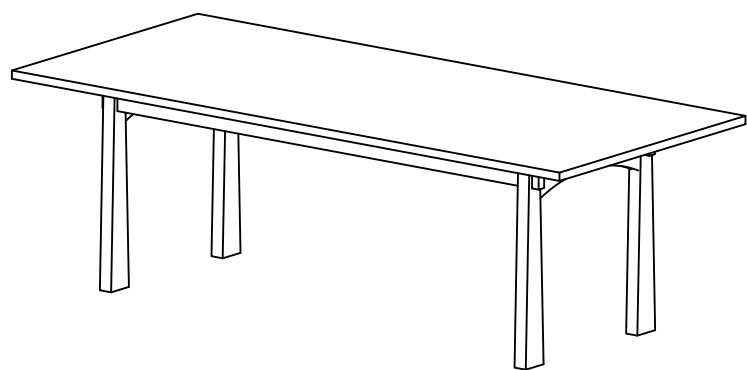
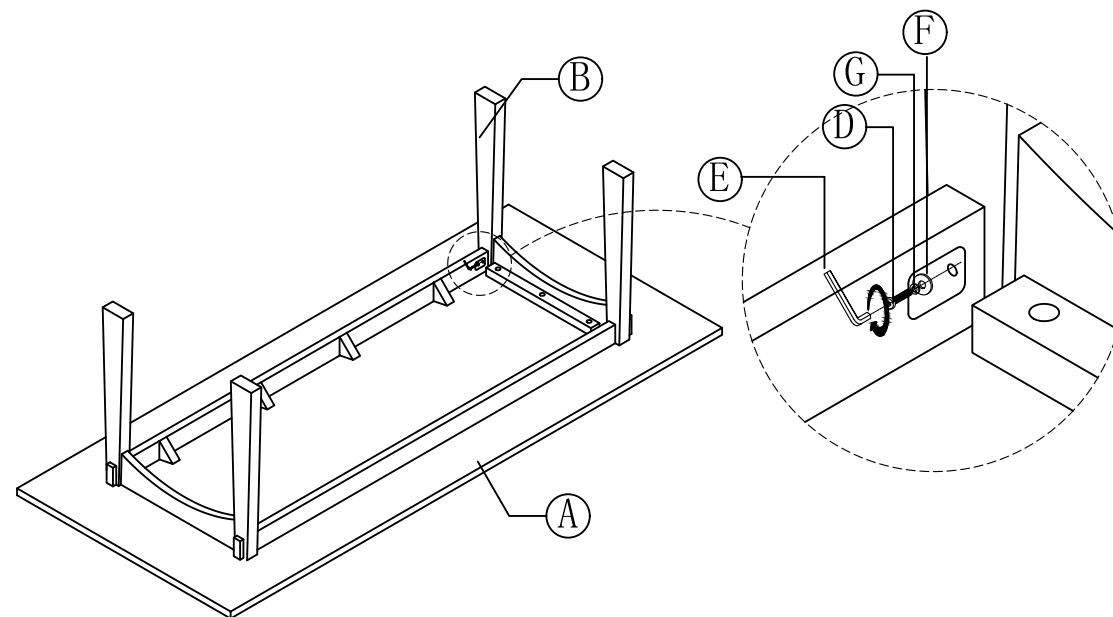


A	Top	 x 1
B	Base	 x 2
C	Bolt	 M8x40 x 6
D	Bolt	 M8x50 x 4
E	Allen key	 x 1
F	Flat washer	 x 10
G	Spring washer	 x 10



1



2

