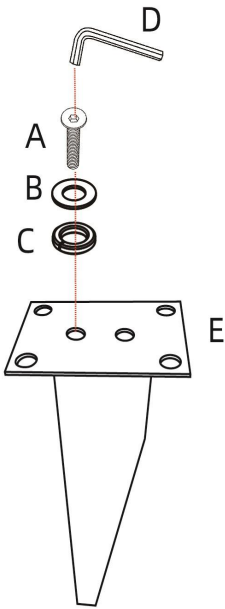
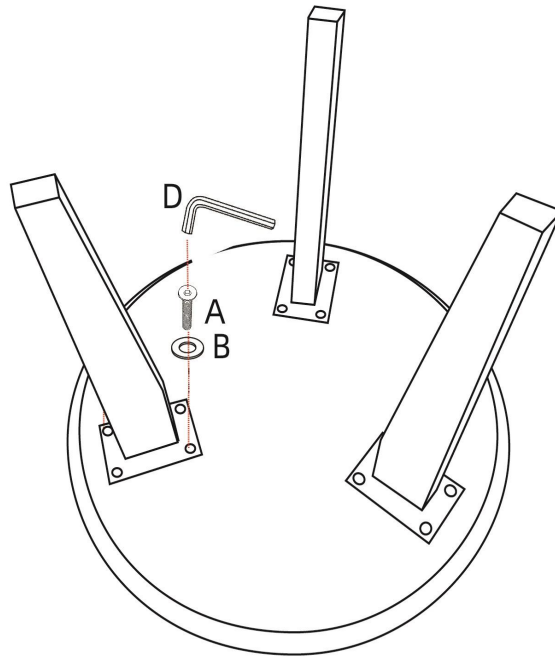


ASSEMBLY INSTRUCTIONS

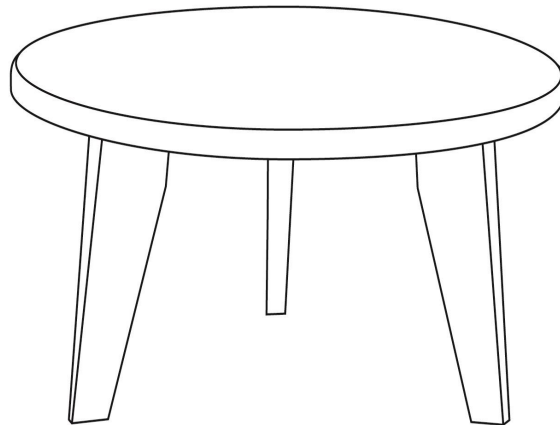
STEP 1



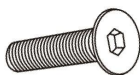
STEP 2



STEP 3



Ax18



Bx18



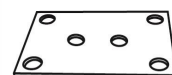
Cx6



Dx1



Ex3



1. Use accessory A to pass through accessories B and C, and fix accessory E to the table leg.

2. Use accessory A to pass through accessory B to secure the table leg to the tabletop.

Use fittings according to the actual screw holes. Extra fittings are spares