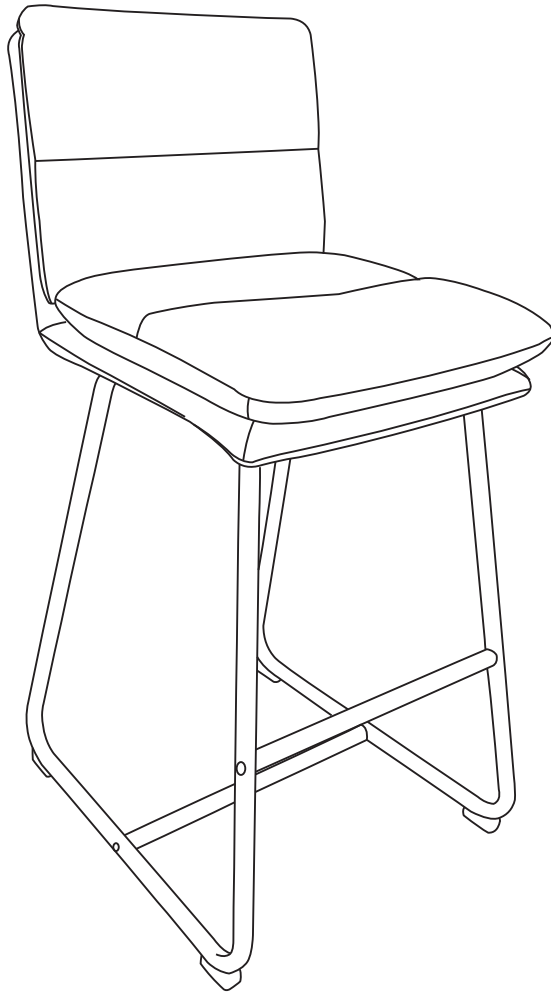

ASSEMBLY INSTRUCTION

BAR STOOL

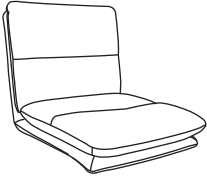



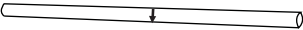


Please carefully unpack and identify each component before beginning assembly. Before you begin, please refer to parts list to make sure that you have all parts. Please take care when assembling the unit and always place the parts on a clean, soft surface.

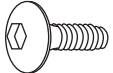
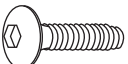
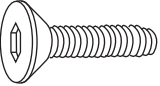

PRE-ASSEMBLY PREPARATION

- **CAUTION:** Assembly will require at least 2 adults. DO NOT use power tools. Please inspect all items BEFORE assembly. If for any reason you need to return this item, please kindly return it in its original packaging.
- **WARNING!**
 1. DO NOT let any sharp objects touch or rub the surface of the product.
 2. When assembling, do not let children play around the working area.
 3. DO NOT tighten all bolts and screws completely until the entire unit has been assembled and set up.
 4. DO NOT USE if this product become damaged, and/or components are broken or missing.
- **CARE AND CLEANING:** DO NOT scratch or chip the finish. DO NOT use abrasive chemicals for cleaning. Clean with mild soap on a soft rag. Rinse and dry thoroughly.
- **MAINTENANCE:** Please periodically check all fittings and re-tighten as necessary.

PARTS LIST

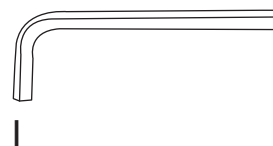
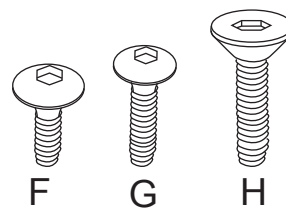
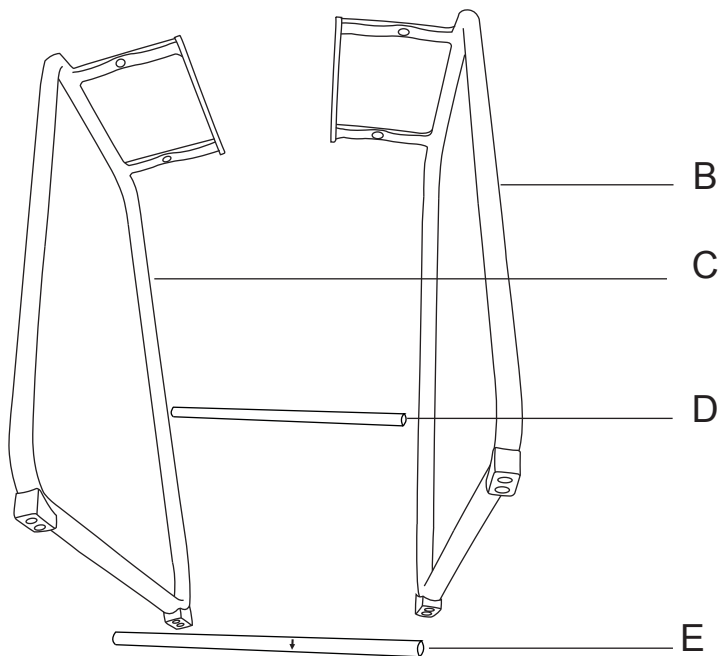
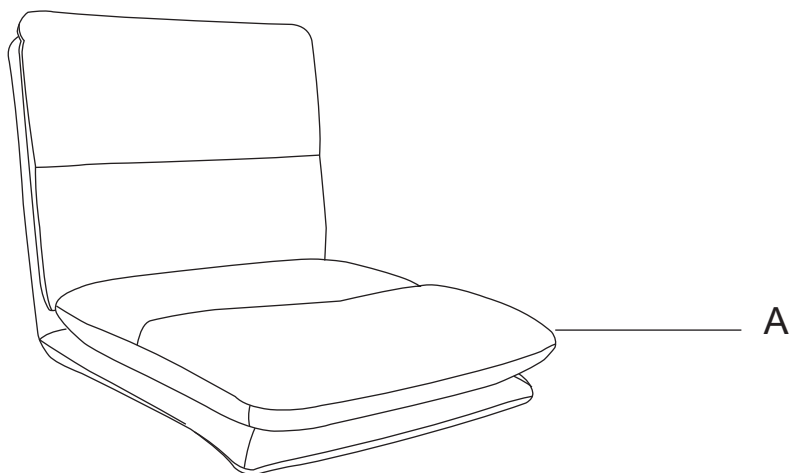
<p>SEAT (A)</p>  <p style="text-align: right;">Qty: 2</p>	<p>LEFT LEG FRAME (B)</p>  <p style="text-align: right;">Qty: 2</p>	<p>RIGHT LEG FRAME (C)</p>  <p style="text-align: right;">Qty: 2</p>	<p>FOOTREST(D)</p>  <p style="text-align: right;">Qty: 2</p>
<p>BOTTOM CONNECTER (E)</p>  <p style="text-align: right;">Qty: 2</p>			

HARDWARE LIST

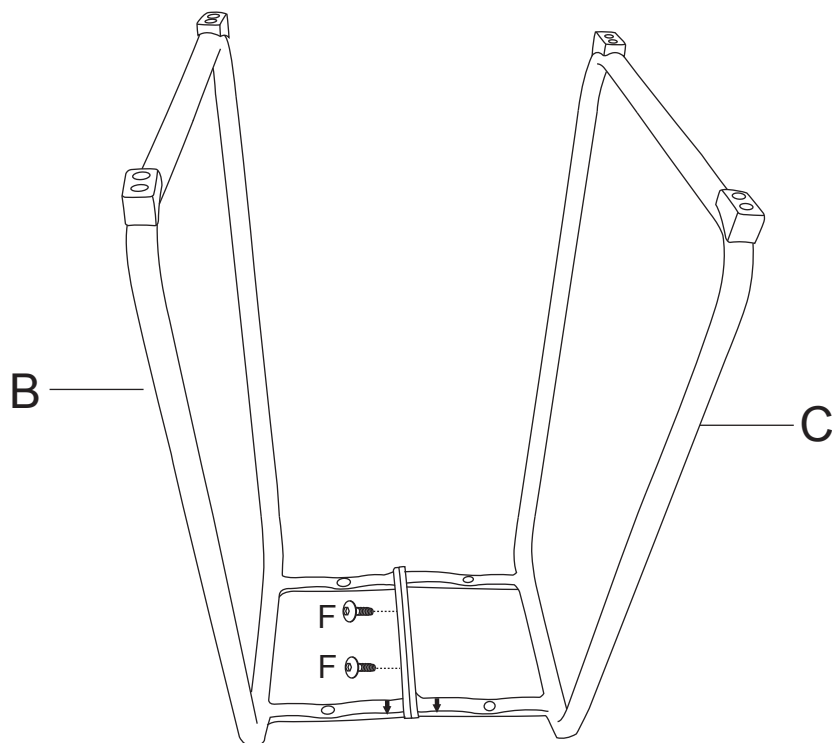
<p>ALLEN BOLT(F) M8X14MM</p>  <p style="text-align: right;">Qty: 4</p>	<p>ALLEN BOLT(G) M6X25MM</p>  <p style="text-align: right;">Qty: 8</p>	<p>ALLEN BOLT(H) M6X30MM</p>  <p style="text-align: right;">Qty: 8</p>	<p>ALLEN WRENCH(I)</p>  <p style="text-align: right;">Qty: 2</p>
---	---	--	---

STEP-BY-STEP ASSEMBLY

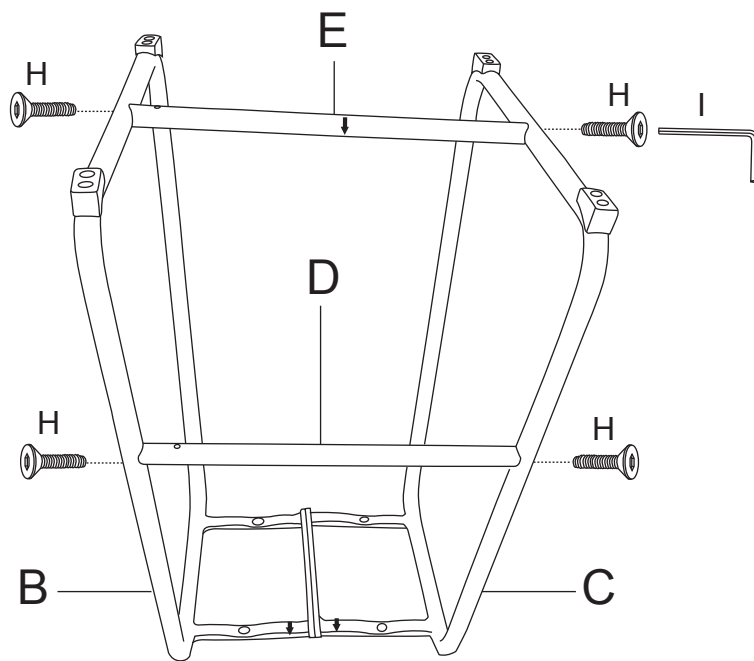
PLEASE CAREFULLY UNPACK AND IDENTIFY EACH COMPONENT BEFORE BEGINNING ASSEMBLY. BEFORE YOU BEGIN, PLEASE REFER TO PARTS LIST TO MAKE SURE THAT YOU HAVE ALL PARTS.



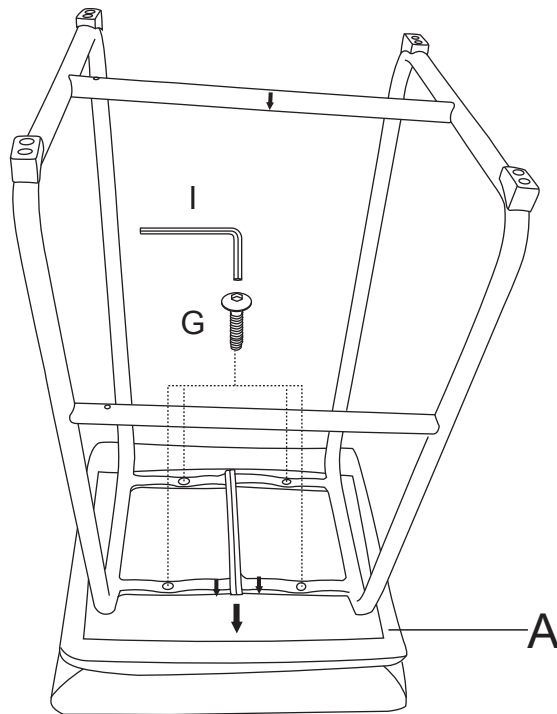
STEP 1 Attach the Left Leg Frame (B) to the Right Leg Frame (C) as shown in below diagram by using Allen Bolt (F) and Allen Wrench (I),
Please tighten the bolts to 90%.



STEP 2 Attach the Footrest (D) to the front side of Left Leg Frame (B) and the Right Leg Frame (C), attach the Bottom Connector (E) to the bottom side of Left Leg Frame (B) and the Right Leg Frame (C) as shown in below diagram by using Allen Bolt (H) and Allen Wrench (I), **Please tighten the bolts to 90%.**



STEP 3 Attach the Leg Frame (B&C) to the Seat (A) as shown in below diagram by using Allen Bolt (G) and Allen Wrench (I), **Please tighten the bolts to 90%.**



STEP 4 In this step please make sure the chair legs are flat and all bolts are installed, then please tighten all bolts (F,G,H) to 100%. A few days after initial assembly, the product may acclimate to its new environment. Please ensure all bolts are still securely tightened.

