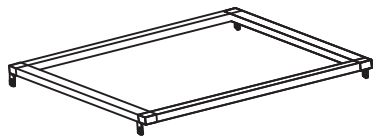


READ AND SAVE THIS INSTRUCTIONS FOR FUTURE USE

ASSEMBLY & INSTRUCTION MANUAL

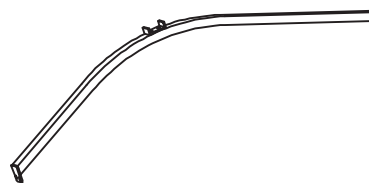
A x 2



E x 24

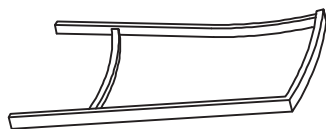


J x 4



M6*15

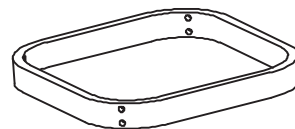
B x 4



F x 8

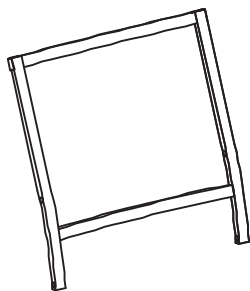


K x 1



M6*45

C x 2



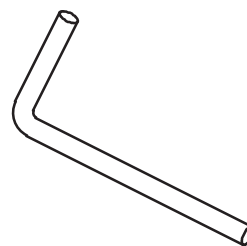
G x 40



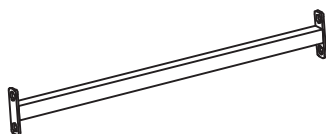
M x 8

M6*35

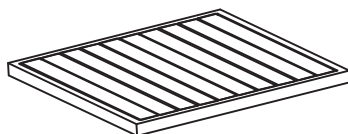
O x 1



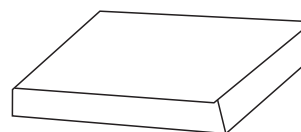
D x 2



I x 1



P x 2

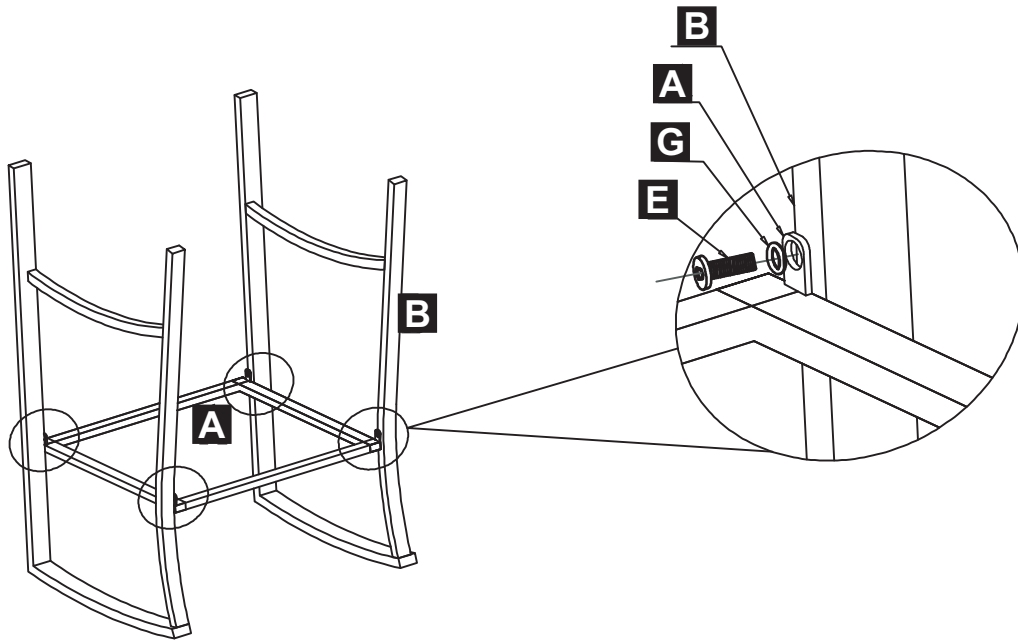


A x 1

B x 2

E x 4

G x 4

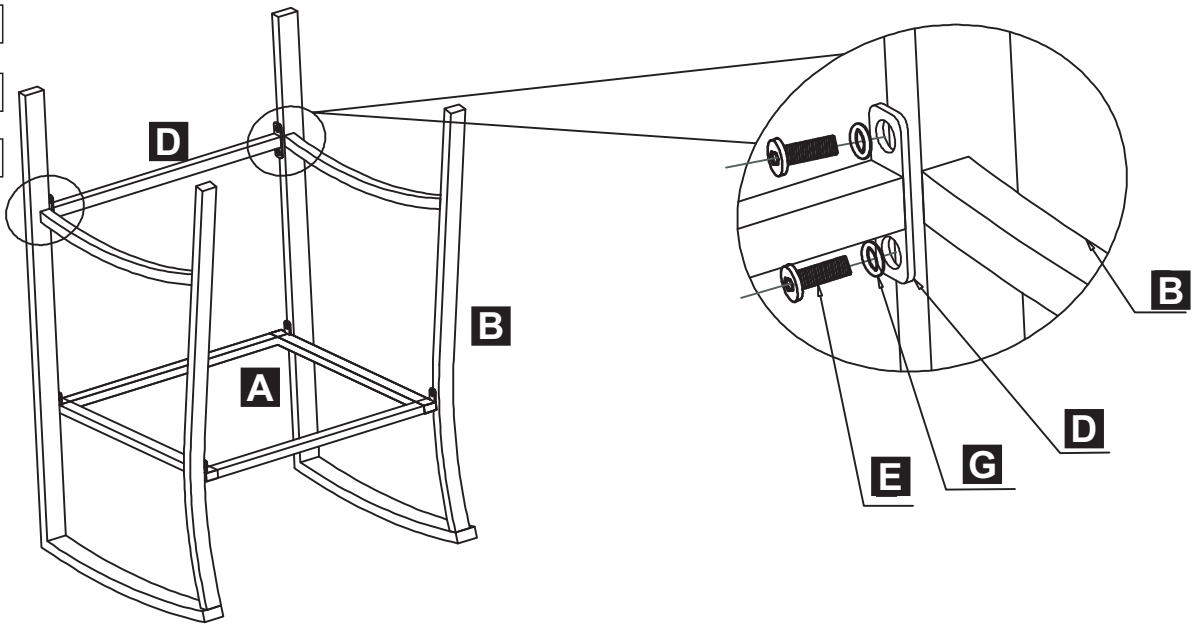


x2

D x 1

E x 4

G x 4

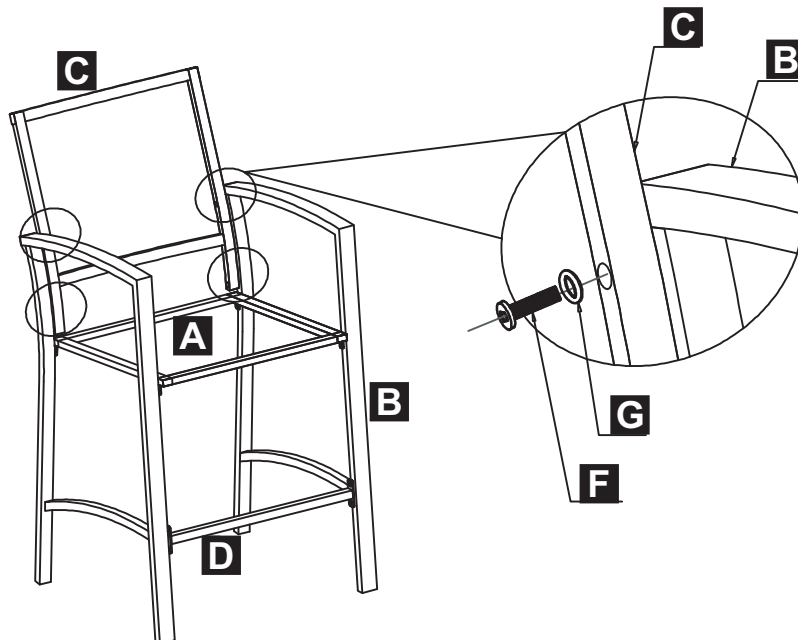


x2

C x 1

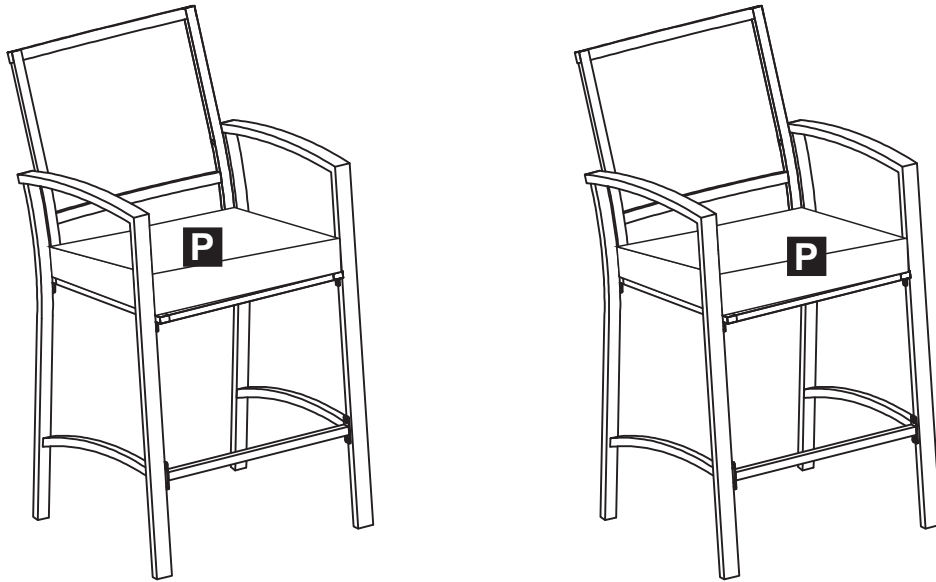
F x 4

G x 4



x2

P x 2

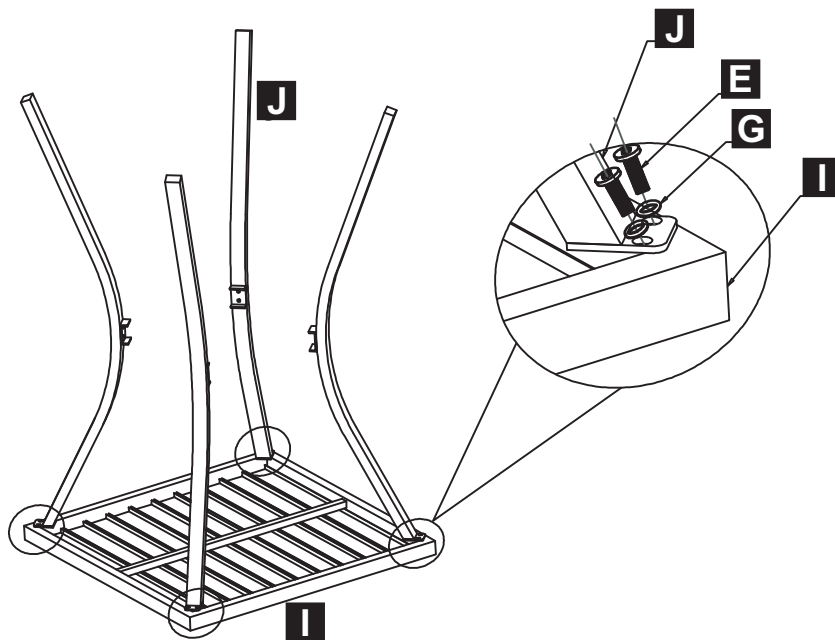


E x 8

G x 8

I x 1

J x 4



G x 8

K x 1

M x 8

