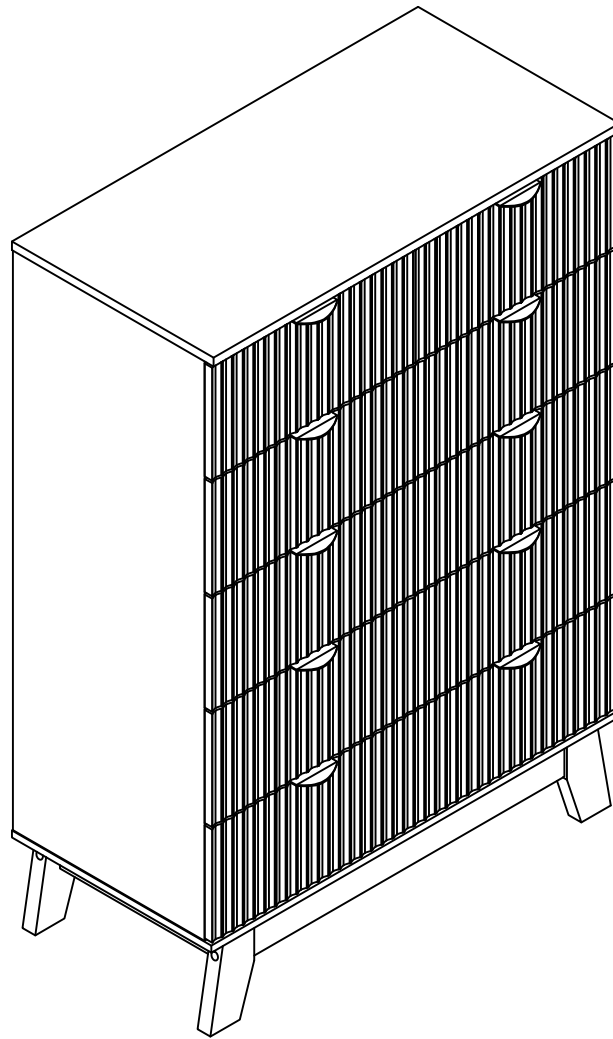
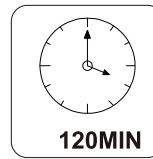
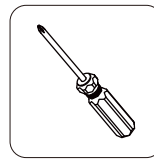
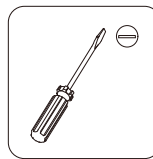


HLG113

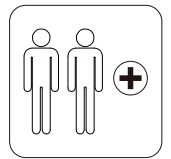
Version:1.0



IT IS RECOMMENDED
TO USE POWER TOOLS



120MIN



EN_IMPORTANT, RETAIN FOR FUTURE REFERENCE: READ CAREFULLY.

. THANK YOU FOR PURCHASE! .

FREE REPLACEMENT PARTS AVAILABLE!



---NEED HELP WITH YOUR FURNITURE?---

Scan the QR code to contact us!



If you're experiencing any issues—whether due to shipping, assembly, or any other reason
—we're here to help.

For any damaged or missing components, we're happy to provide FREE replacement parts.



WhatsApp

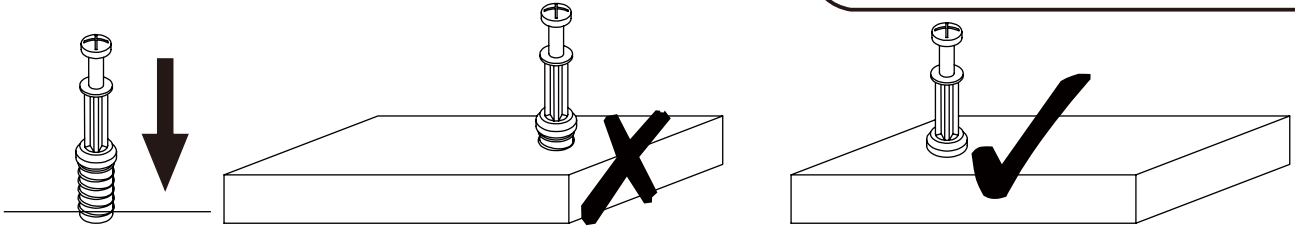
Email: service@furnlog.com

WANT TO CONTACT US THROUGH AMAZON?

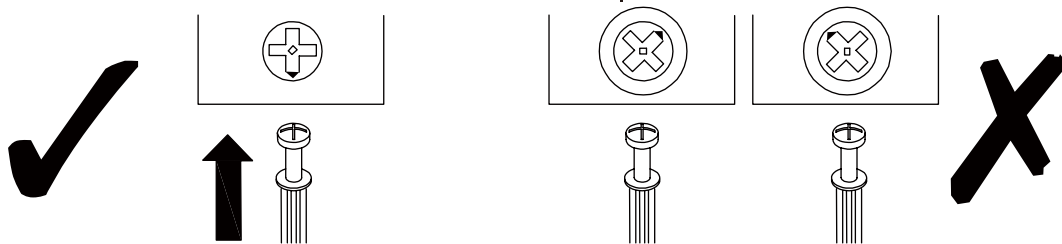
- ▶ Log in to your Amazon account.
- ▶ Go to “Your Orders” and locate your furniture order.
- ▶ Click on “Get Help with Order” to send us a message directly.

Our customer support team is ready to assist you and we will respond within
12-24 HOURS to resolve your concerns quickly!

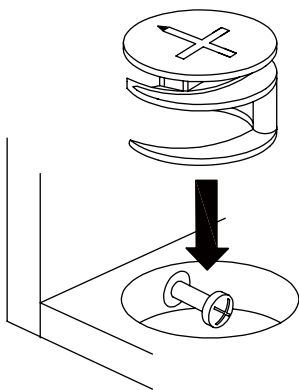
USING CAM LOCK AND QUICKFIT



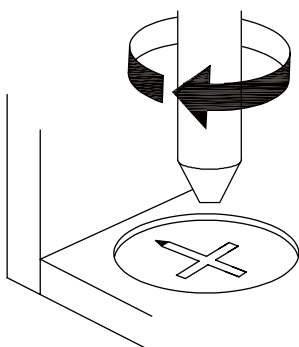
EN_QUICKFIT: Tighten quickfit until shoulder is flush with panel. Do not overtighten or undertighten.



EN_CAM LOCK: When fitting cam lock, ensure starting position is correct before you insert connecting quickfit.

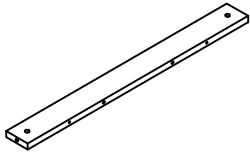
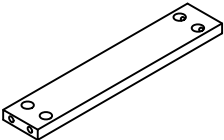
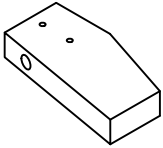
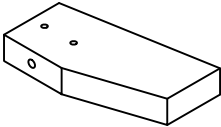
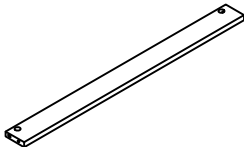
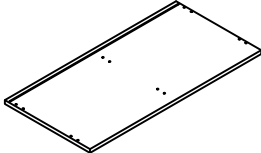
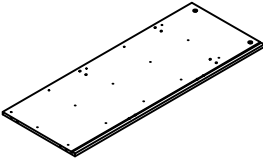
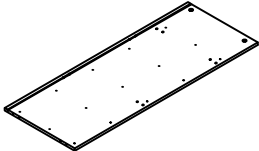
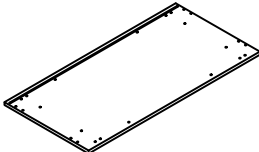
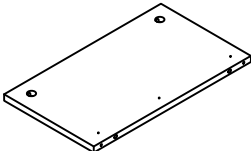


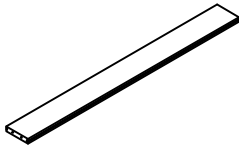
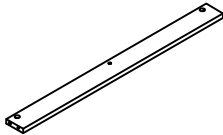
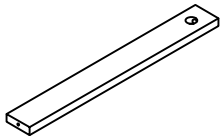
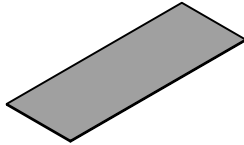
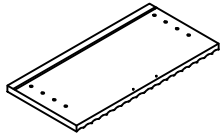
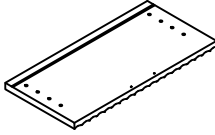
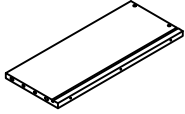
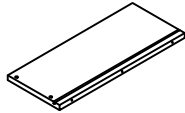
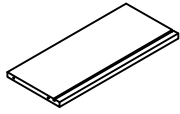
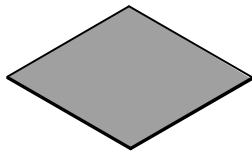
EN_Quickfit head should be in the centre of the cam lock when the two panels are joined.
Cam lock should be inserted before quickfit.

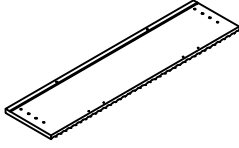
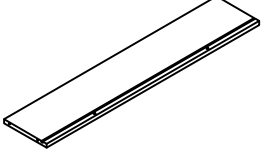
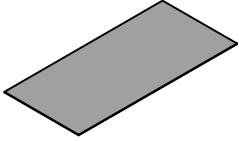



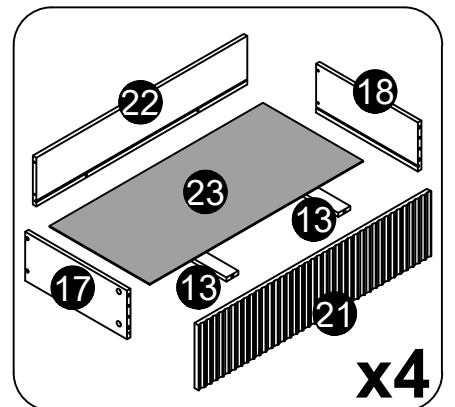
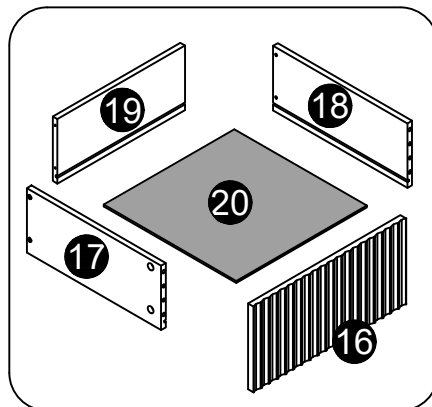
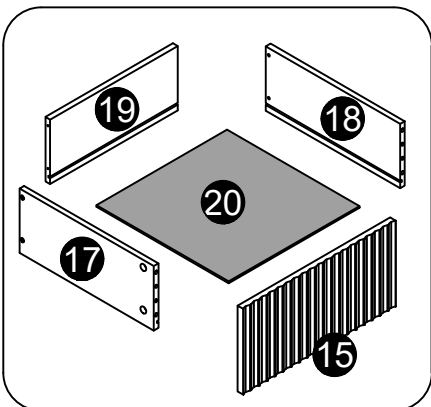
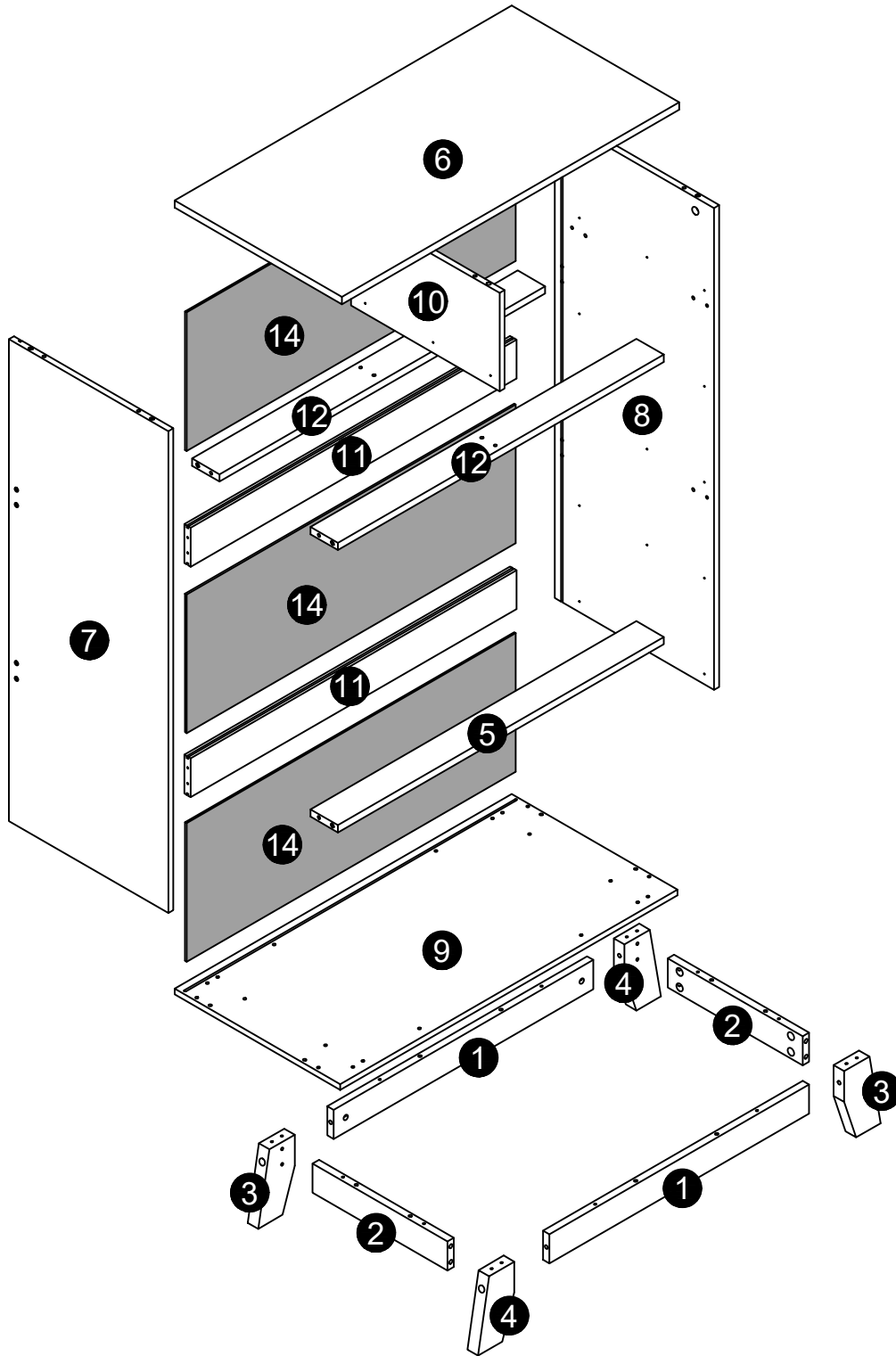
EN_Turn cam lock clockwise to tighten.

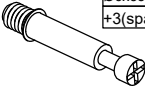

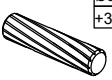
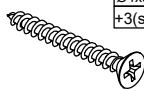




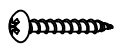



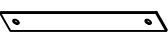

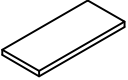




PACKING DELALS

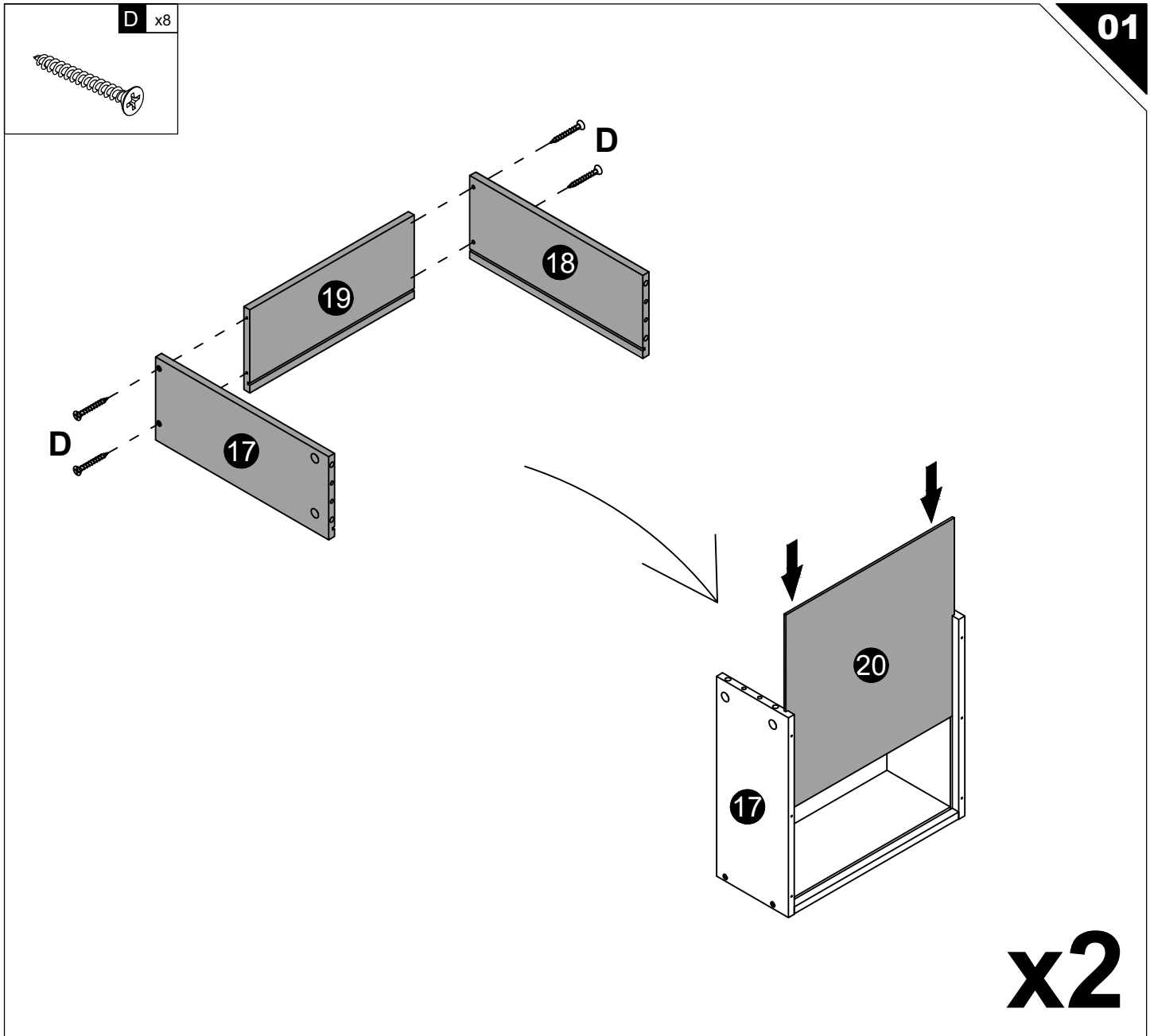
NO.	PARTS	QTY	SPARE
①		x2	
②		x2	
③		x2	
④		x2	
⑤		x1	
⑥		x1	
⑦		x1	
⑧		x1	
⑨		x1	
⑩		x1	

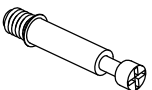

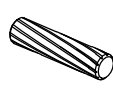

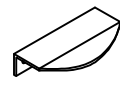


NO.		QTY	SPARE
⑪		x2	
⑫		x2	
⑬		x8	
⑭		x3	
⑮		x1	
⑯		x1	
⑰		x6	
⑱		x6	
⑲		x2	
⑳		x2	

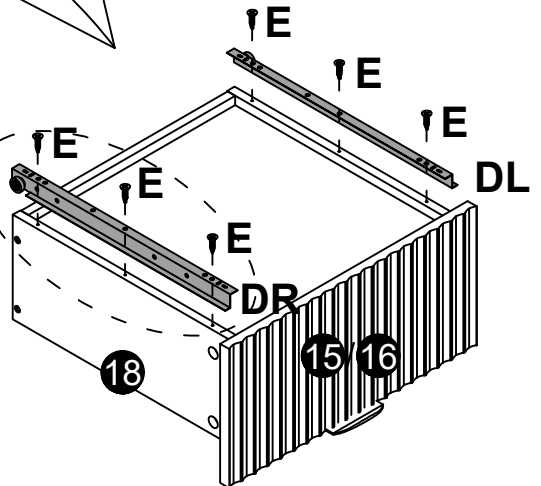
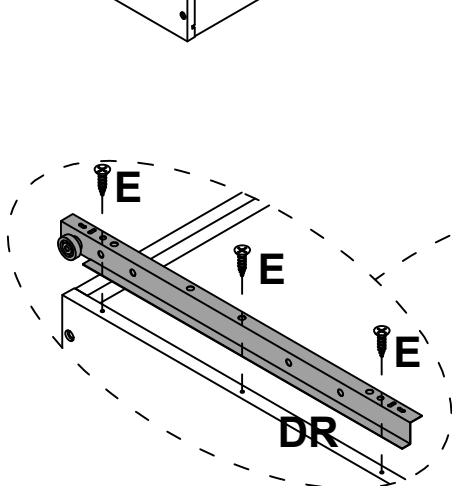
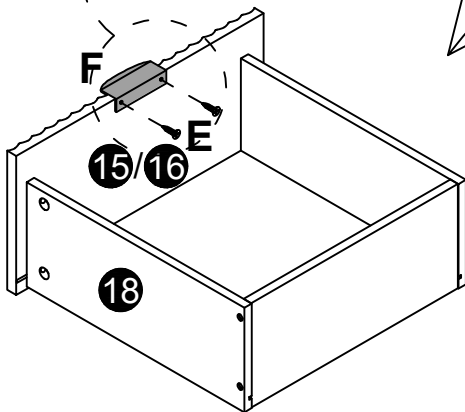
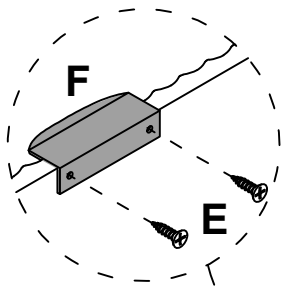
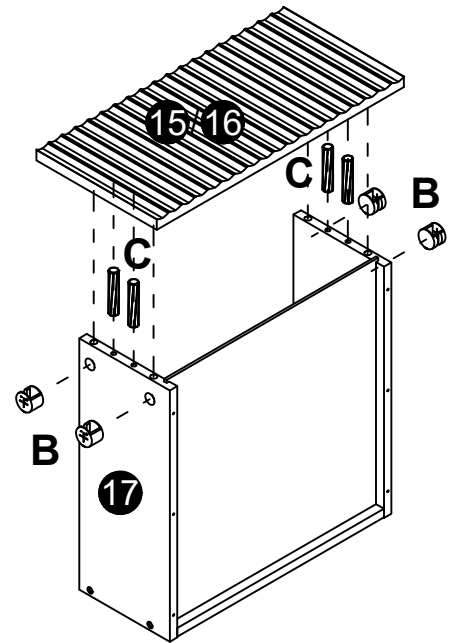
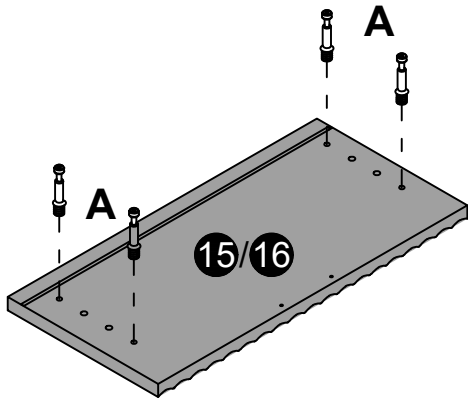
NO.	PARTS	QTY	SPARE
②1		x4	
②2		x4	
②3		x4	
	 Hardware Kit	x1	



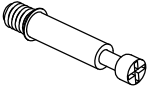
<p>A x52 Ø6x35mm +3(spare)</p> 	<p>B x52 Ø15x10mm +3(spare)</p> 	<p>C x50 Ø6x30mm +3(spare)</p> 	<p>D x48 Ø4x35mm +3(spare)</p> 	<p>E x92 Ø3.5x12mm +4(spare)</p> 	<p>F x10</p> 
<p>G x4</p> 	<p>H x4</p> 	<p>I x16 +1(spare)</p> 	<p>J x12 Ø3x16mm +1(spare)</p> 	<p>K x12 +1(spare)</p> 	<p>L x2 Ø6x30mm</p> 
<p>M x2</p> 	<p>N x2</p> 	<p>O x4</p> 			
<p>CL x6 L350mm</p> 	<p>CR x6 L350mm</p> 	<p>DL x6 L350mm</p> 	<p>DR x6 L350mm</p> 		



<p>A x8</p> 	<p>B x8</p> 	<p>C x8</p> 	<p>E x16</p> 	<p>F x2</p> 
<p>DL x2</p> 	<p>DR x2</p> 			



A x24



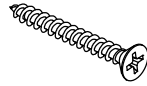
B x24



C x16



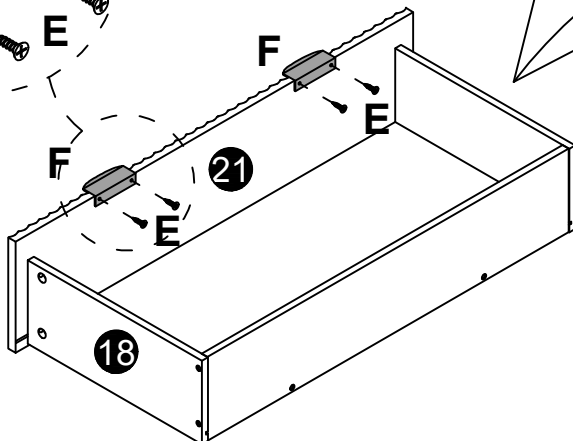
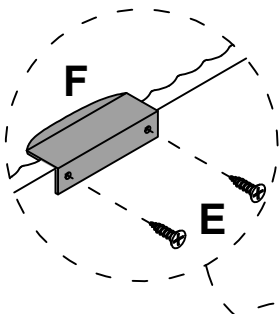
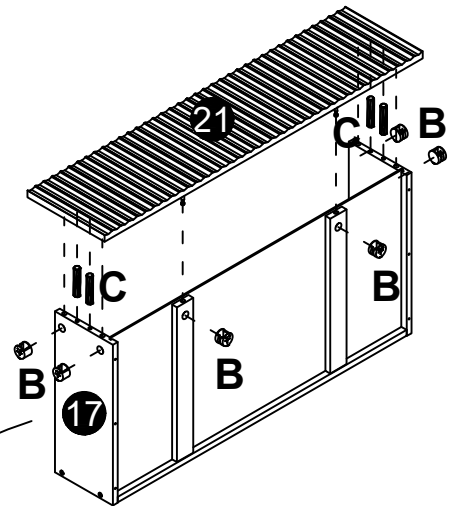
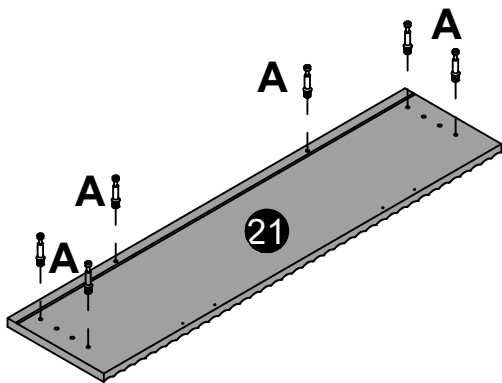
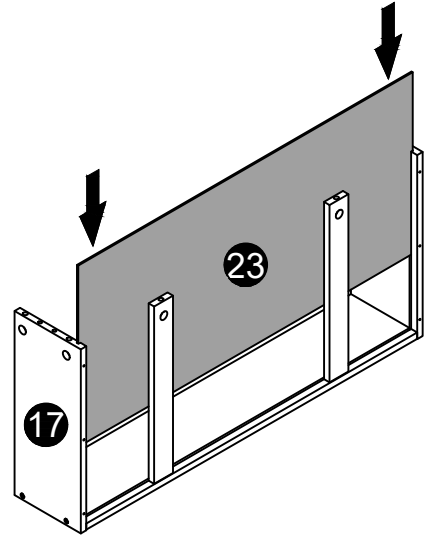
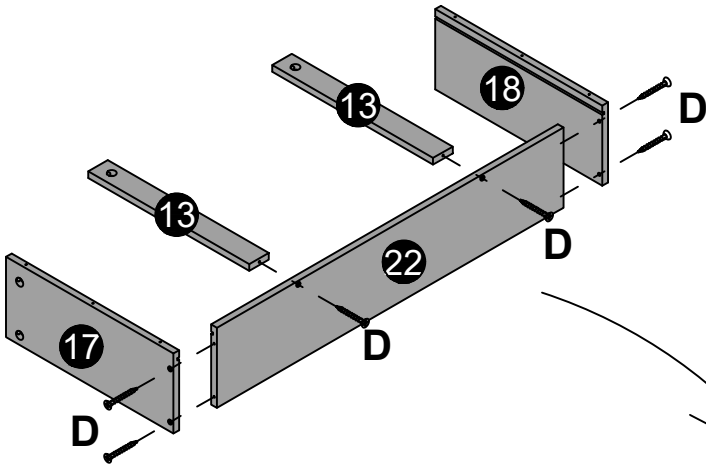
D x24



E x16



F x8

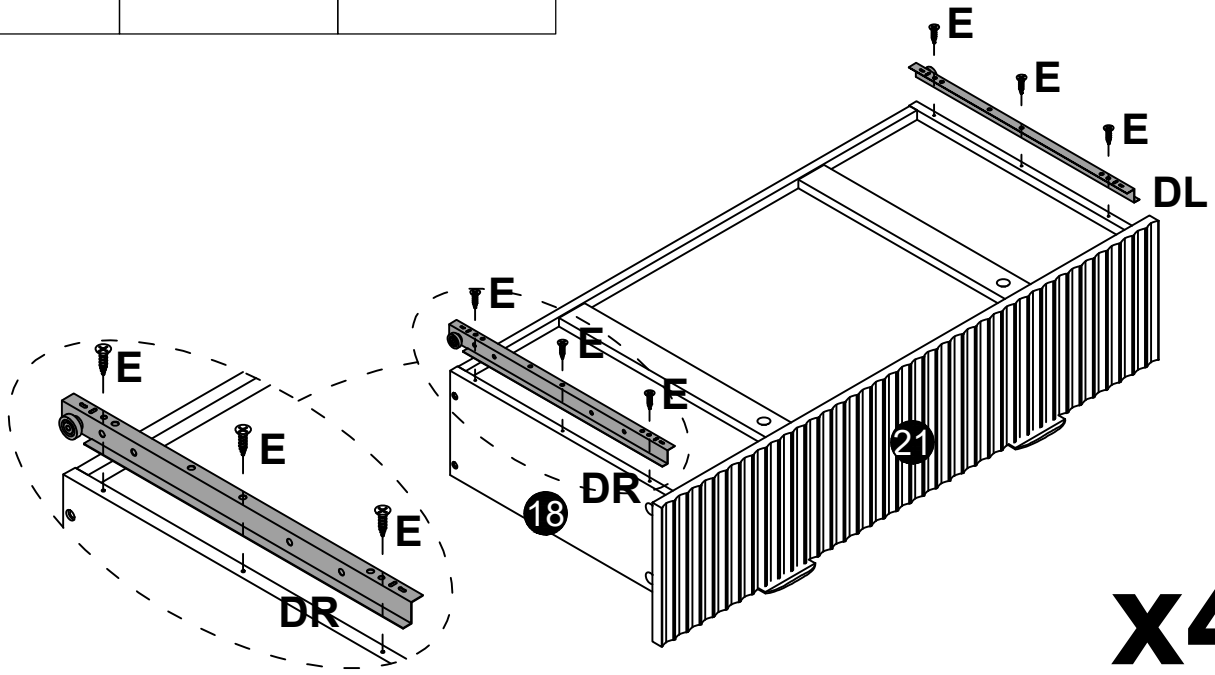


x4

E x24

DL x4

DR x4

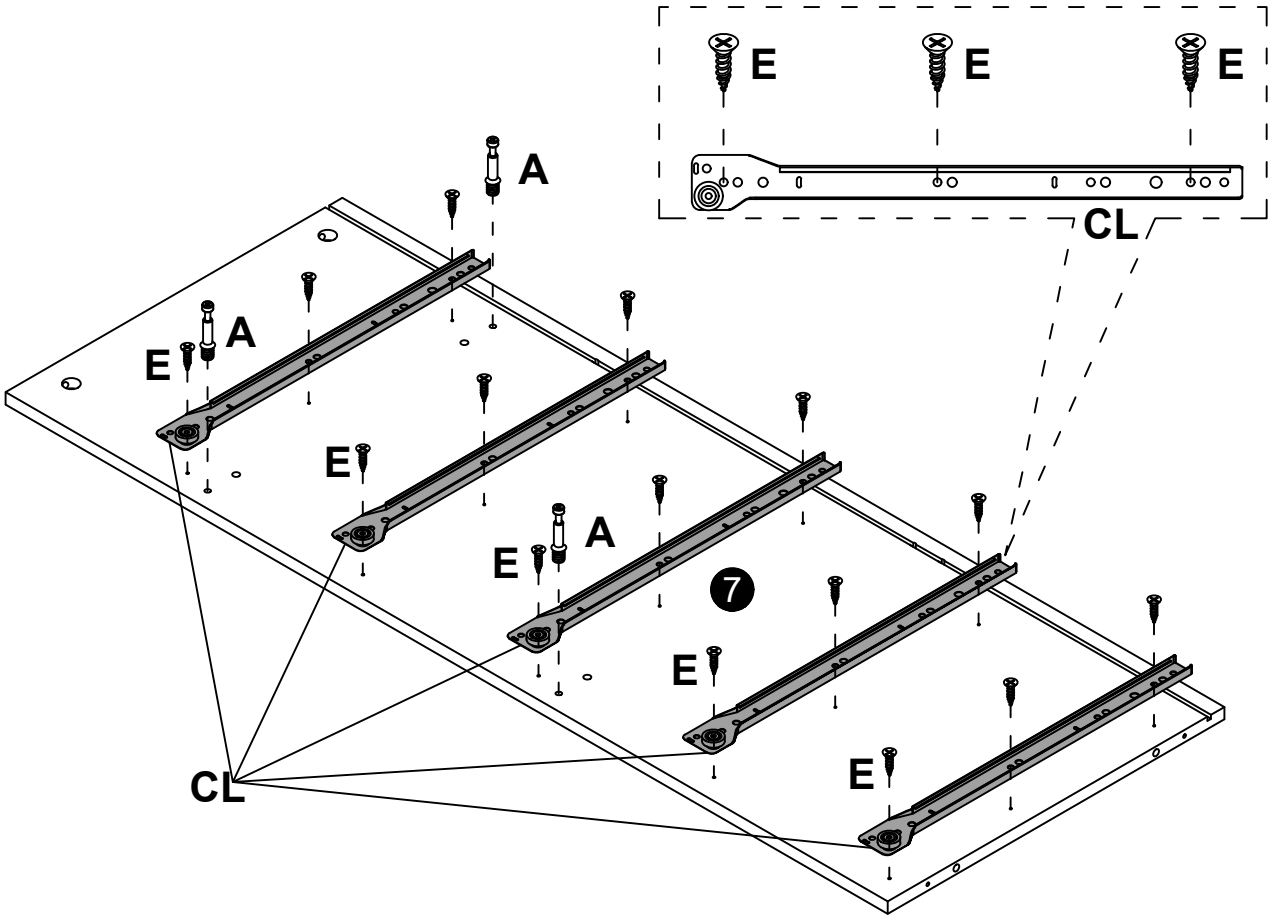
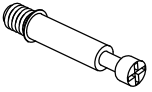


x4

A x3

E x15

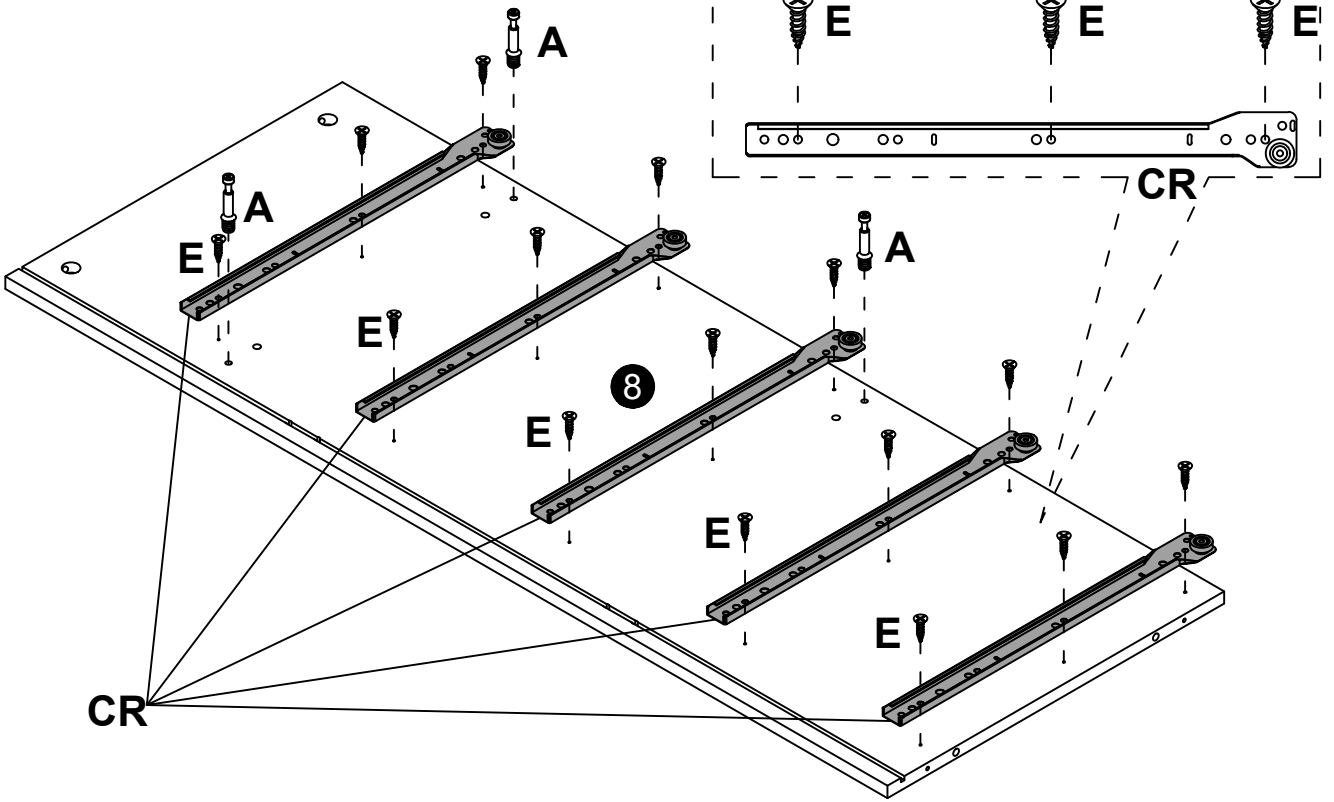
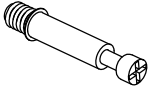
CL x5



A x3

E x15

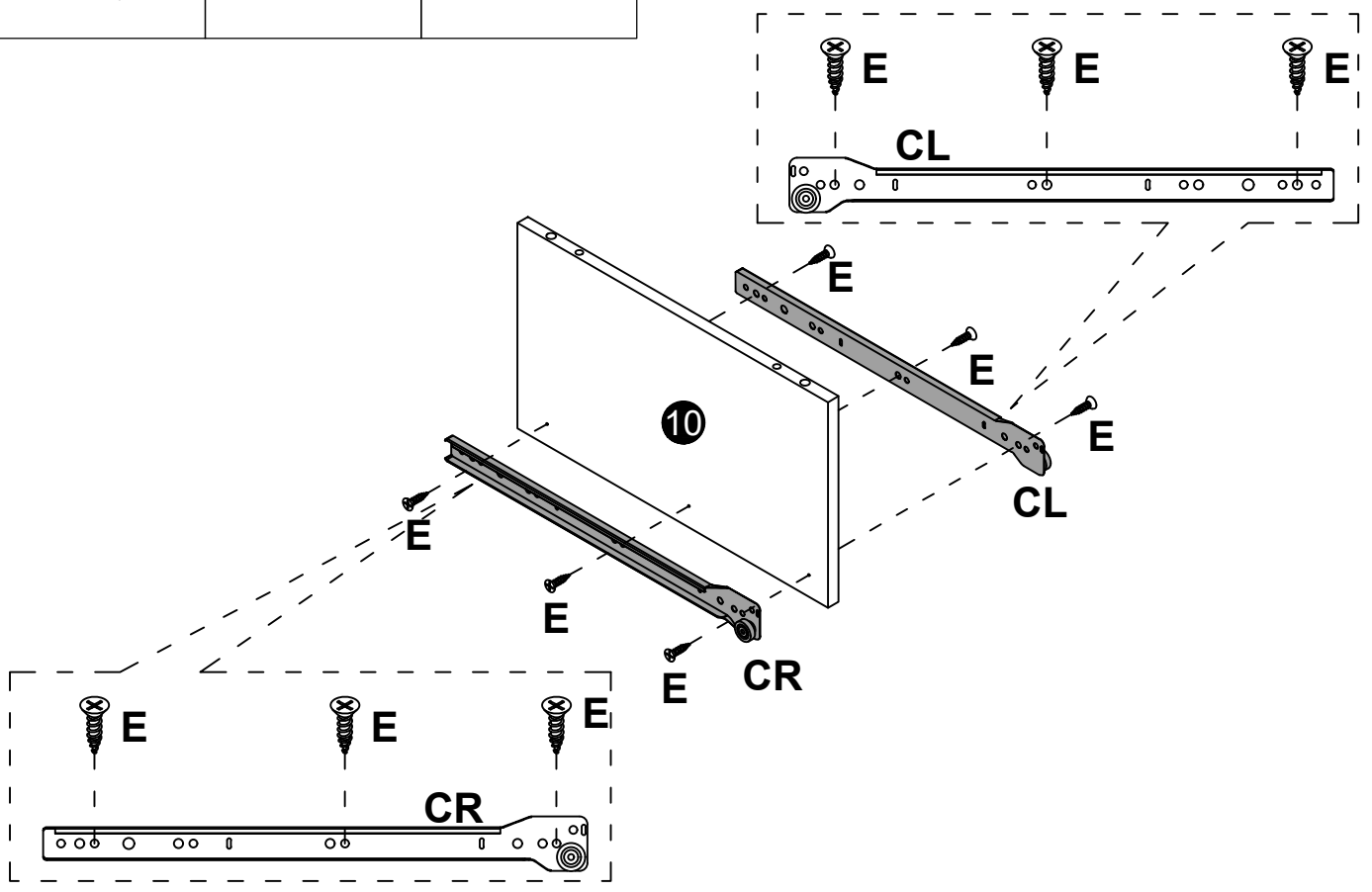
CR x5



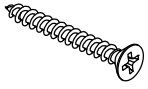
E x6

CL x1

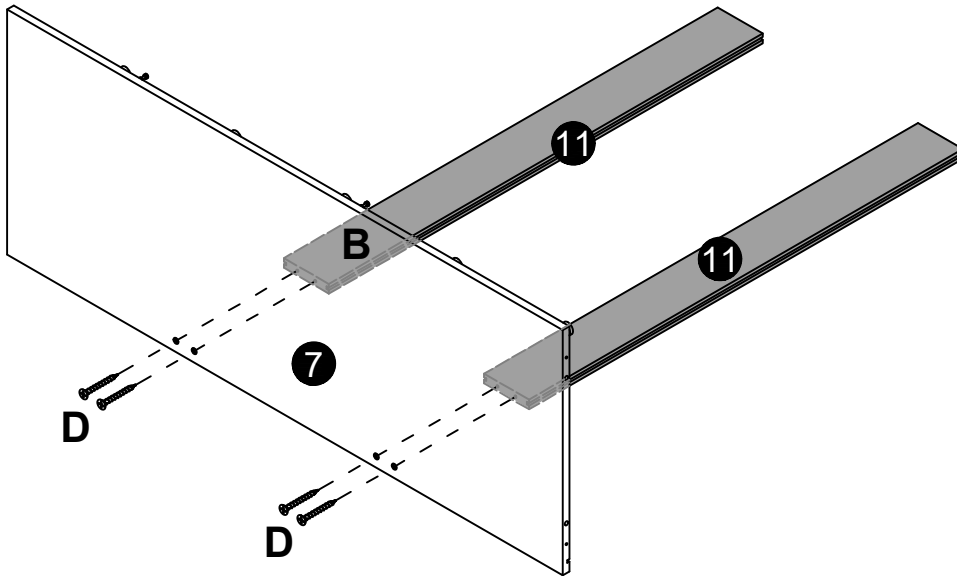
CR x1



D x4



08



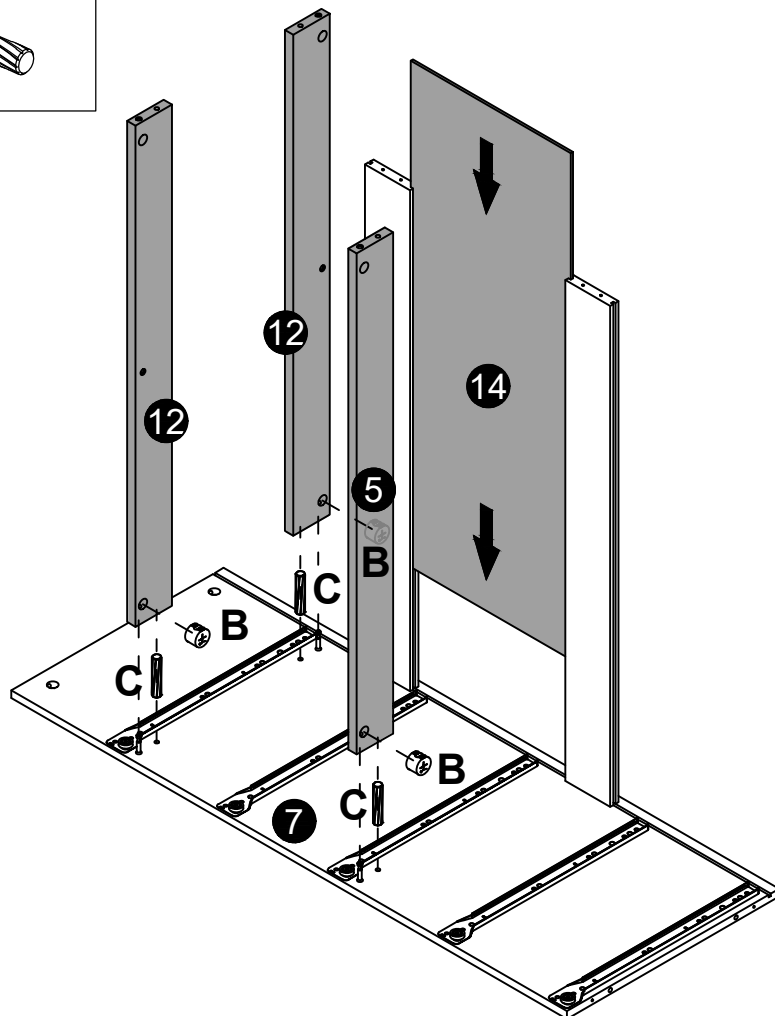
B x3



C x3

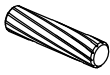


09

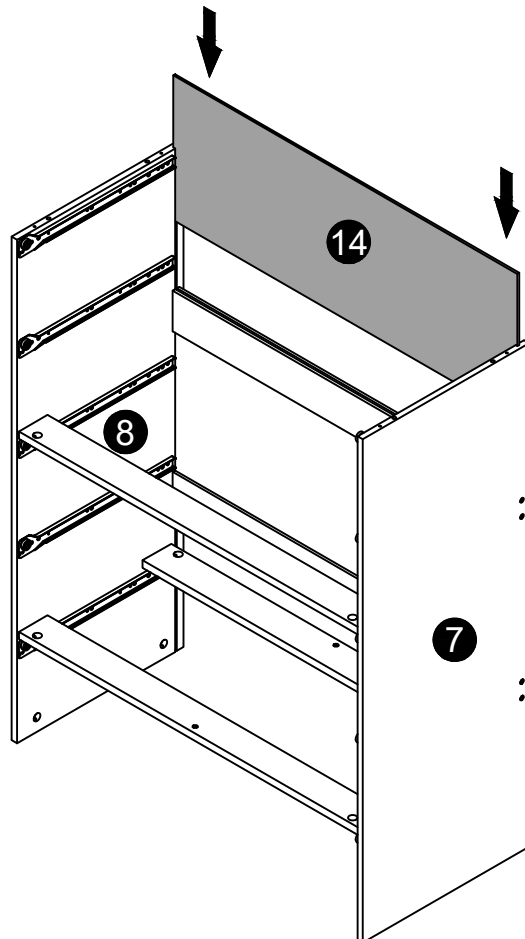
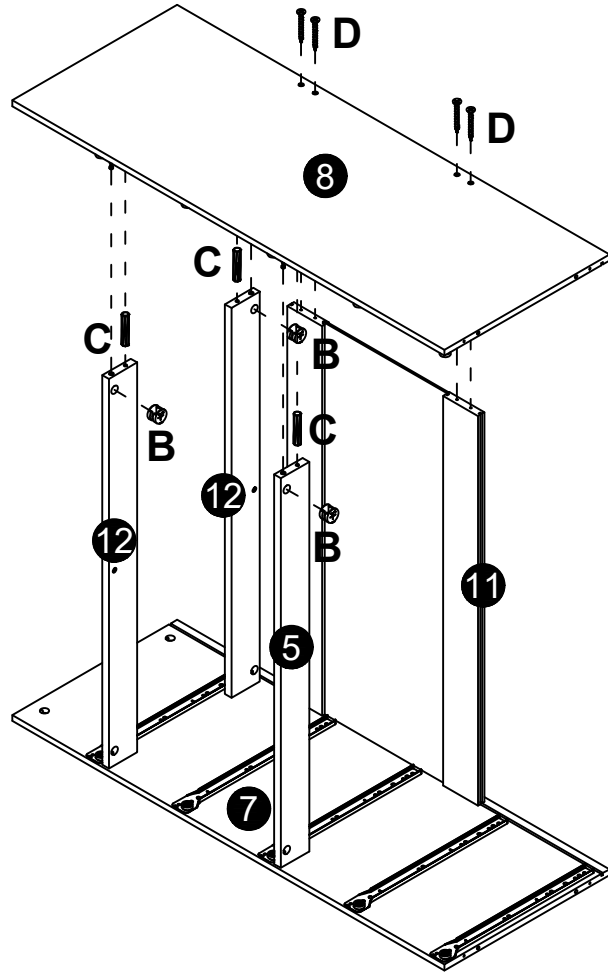
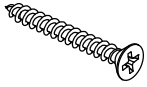


B x3

C x3

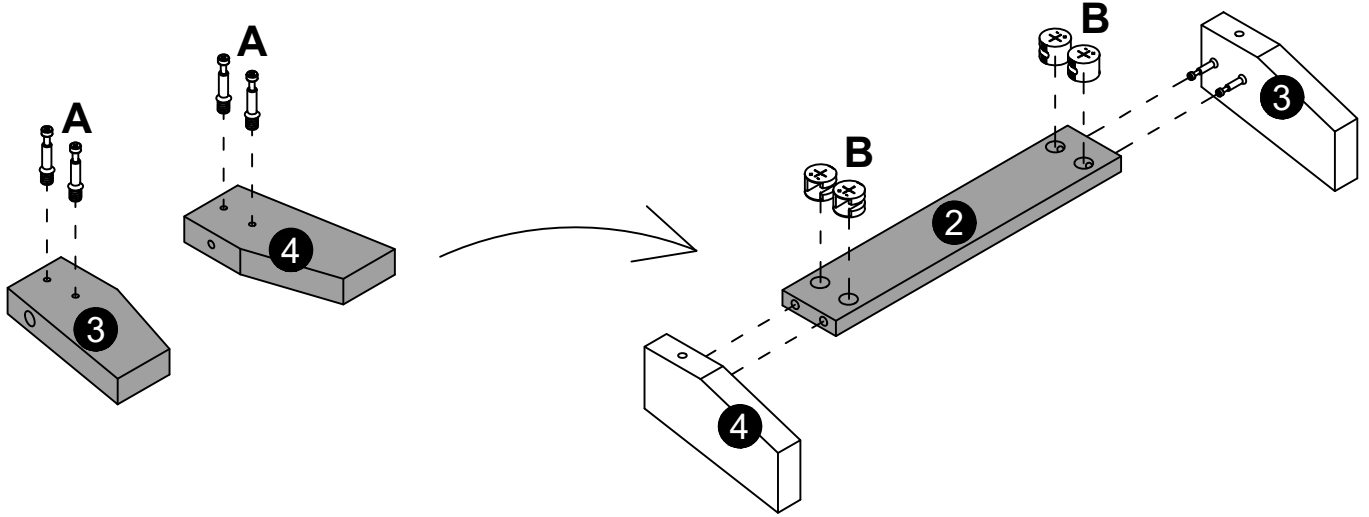
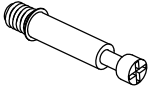


D x4



A x8

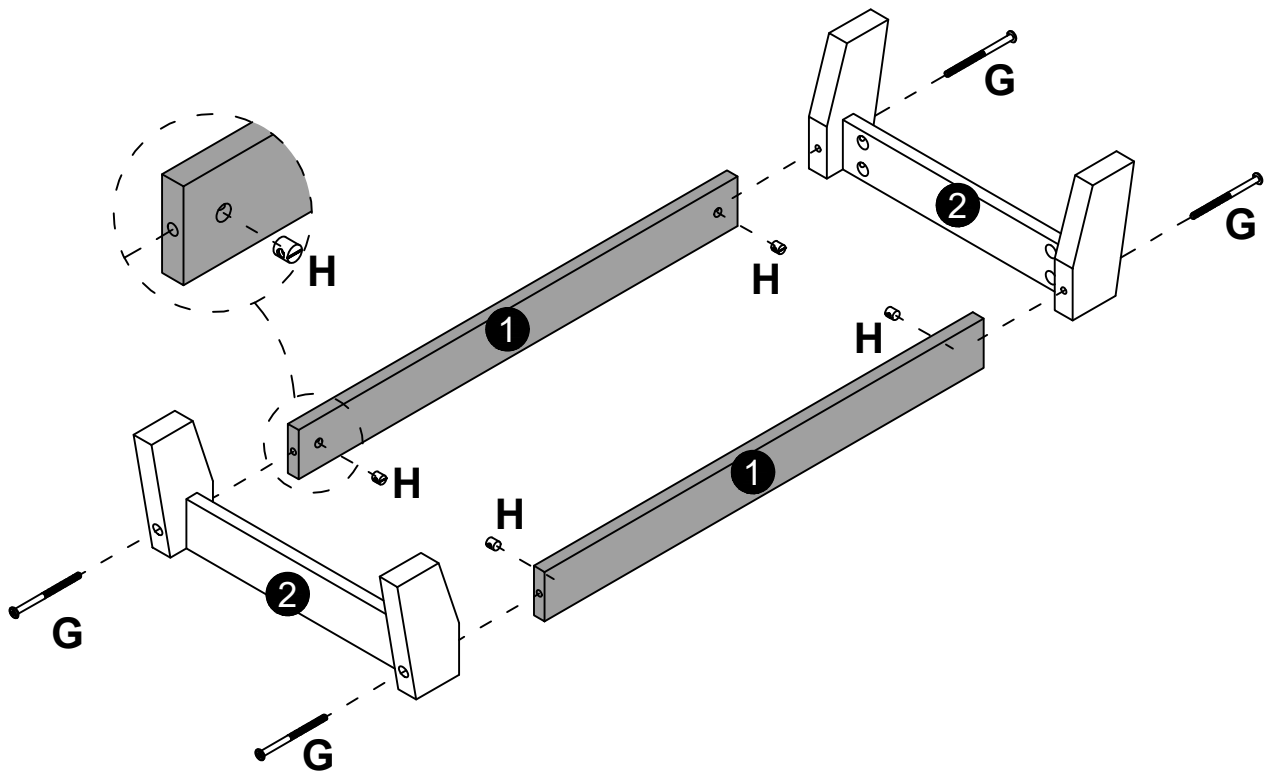
B x8



x2

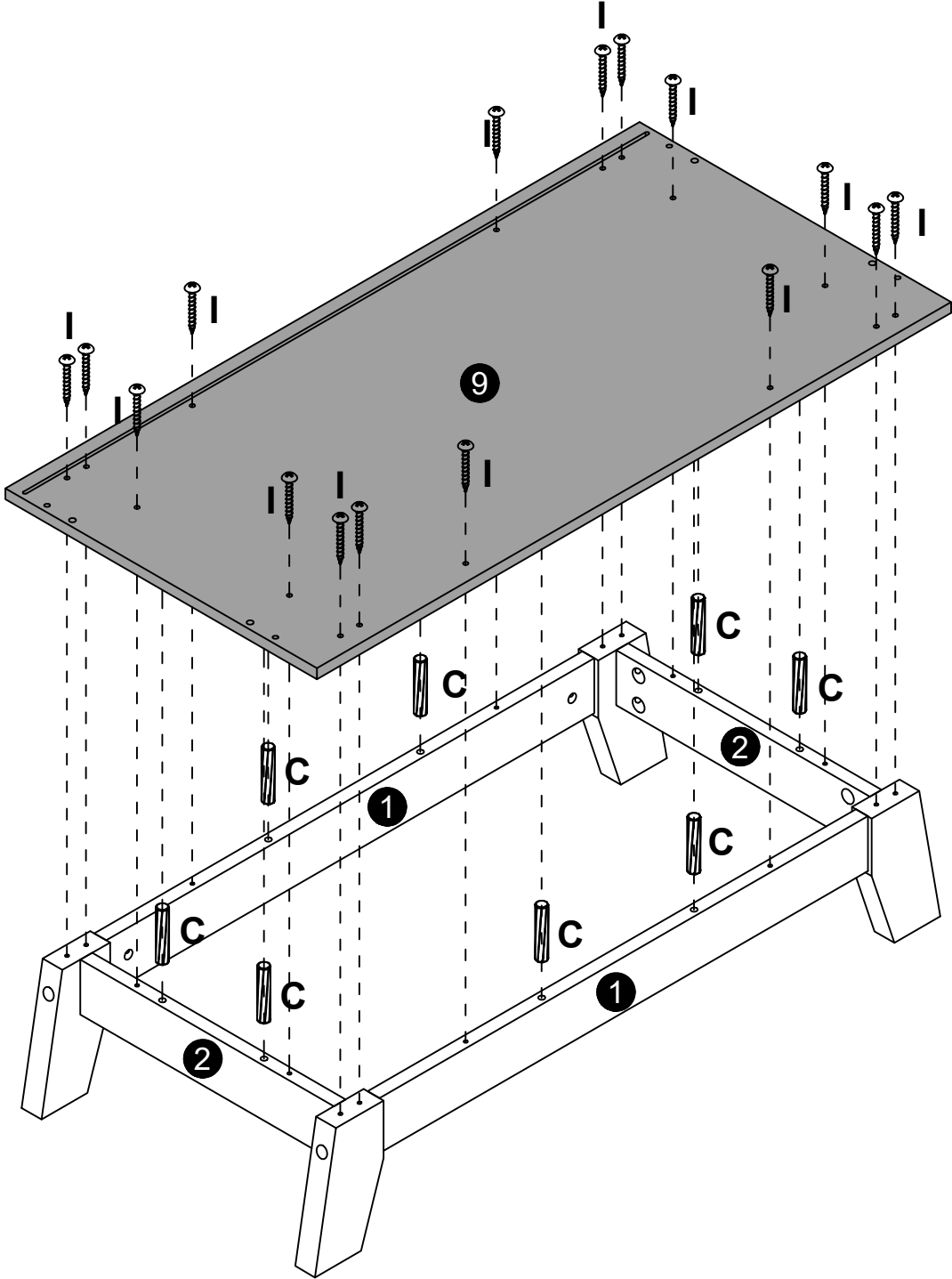
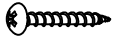
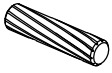
G x4

H x4



C x8

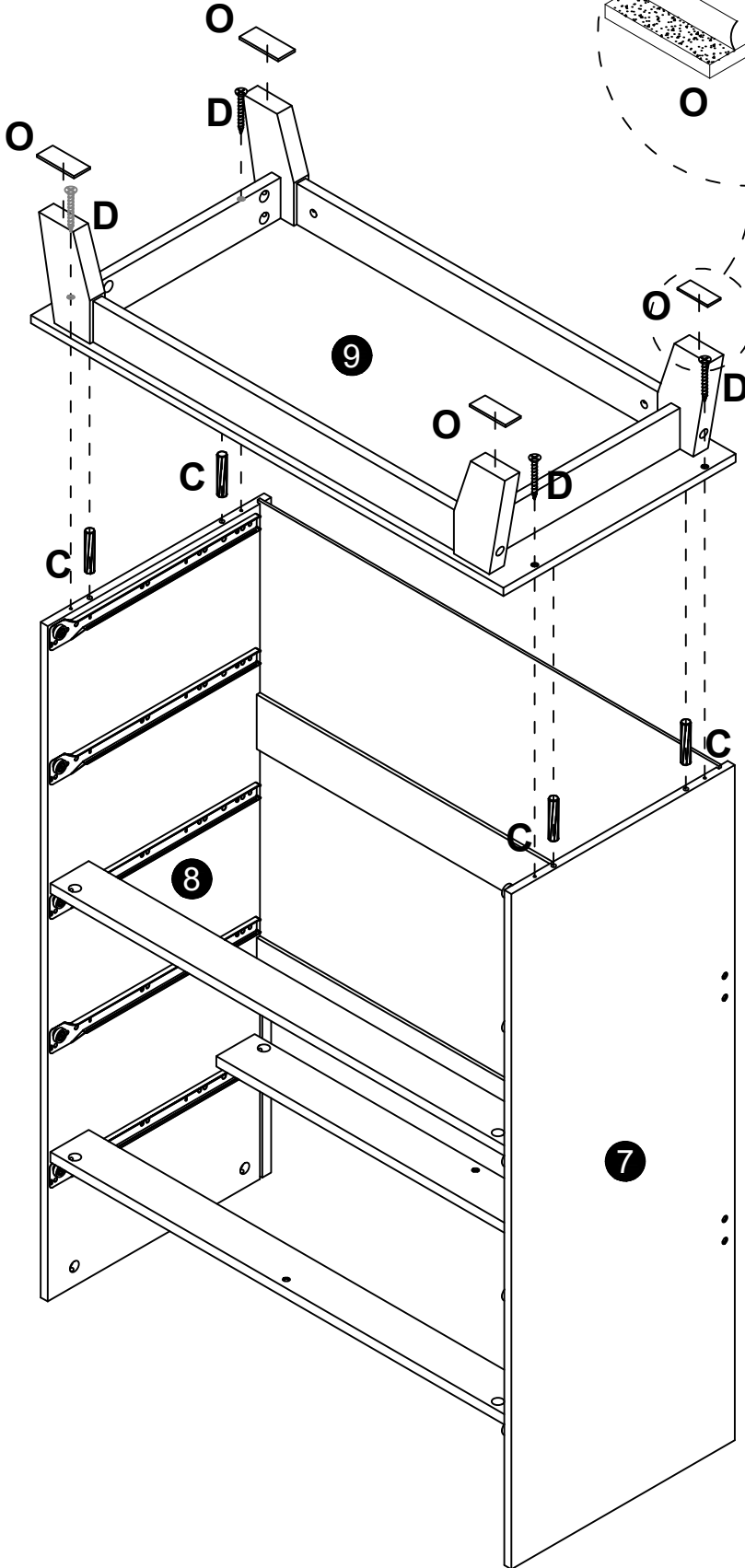
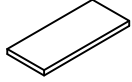
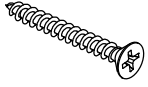
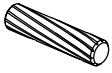
I x16



C x4

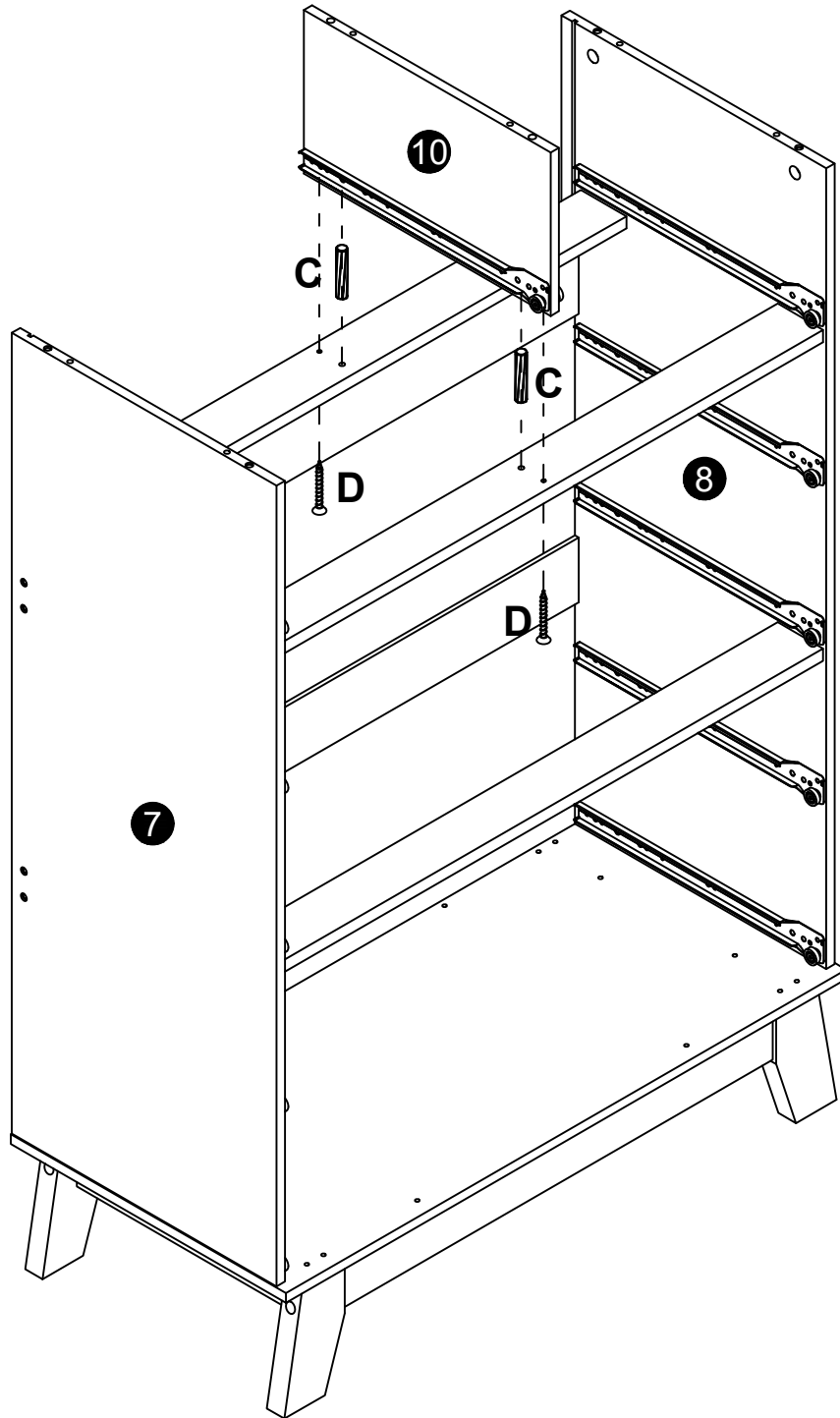
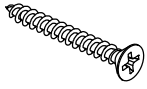
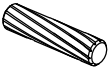
D x4

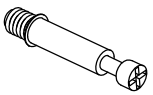
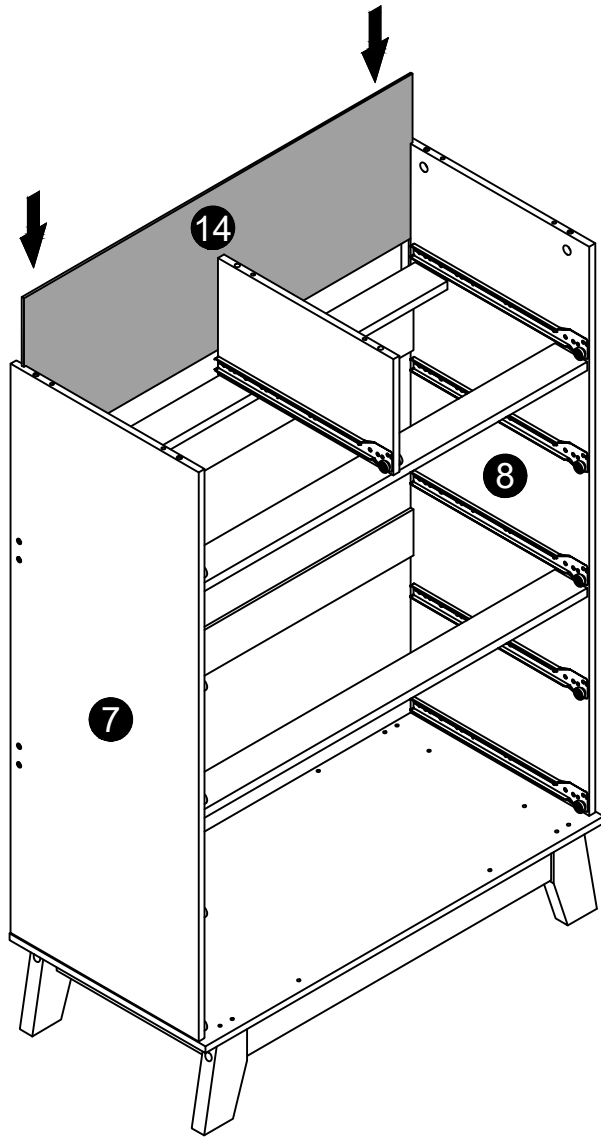
O x4



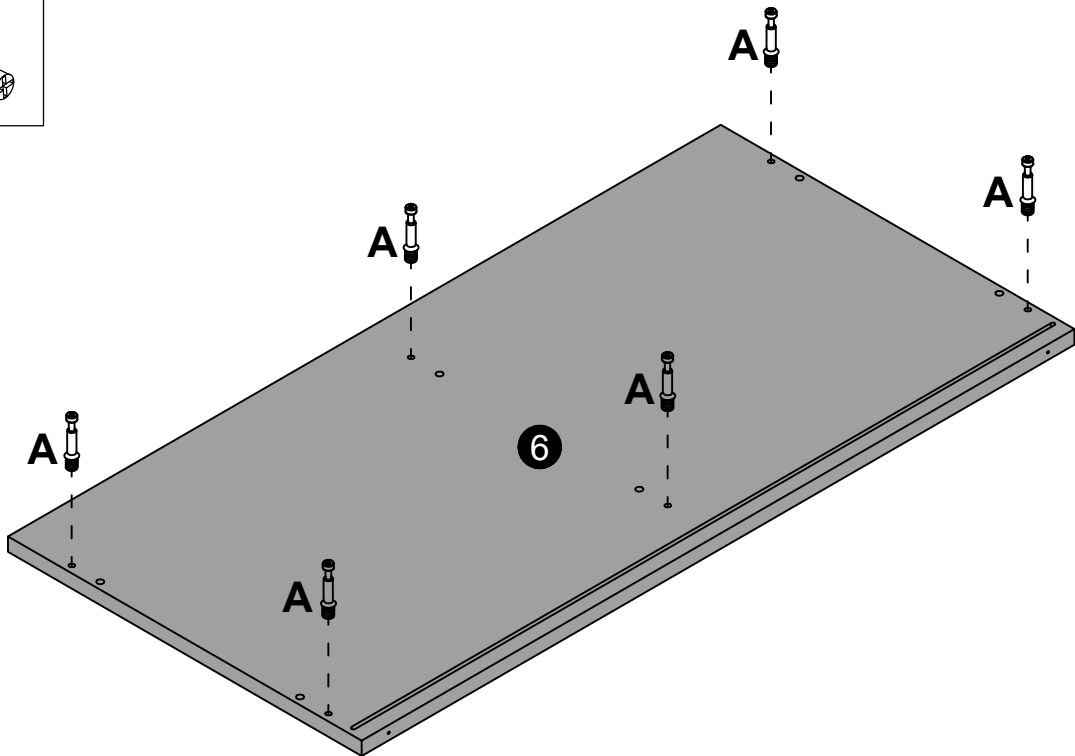
C x2

D x2



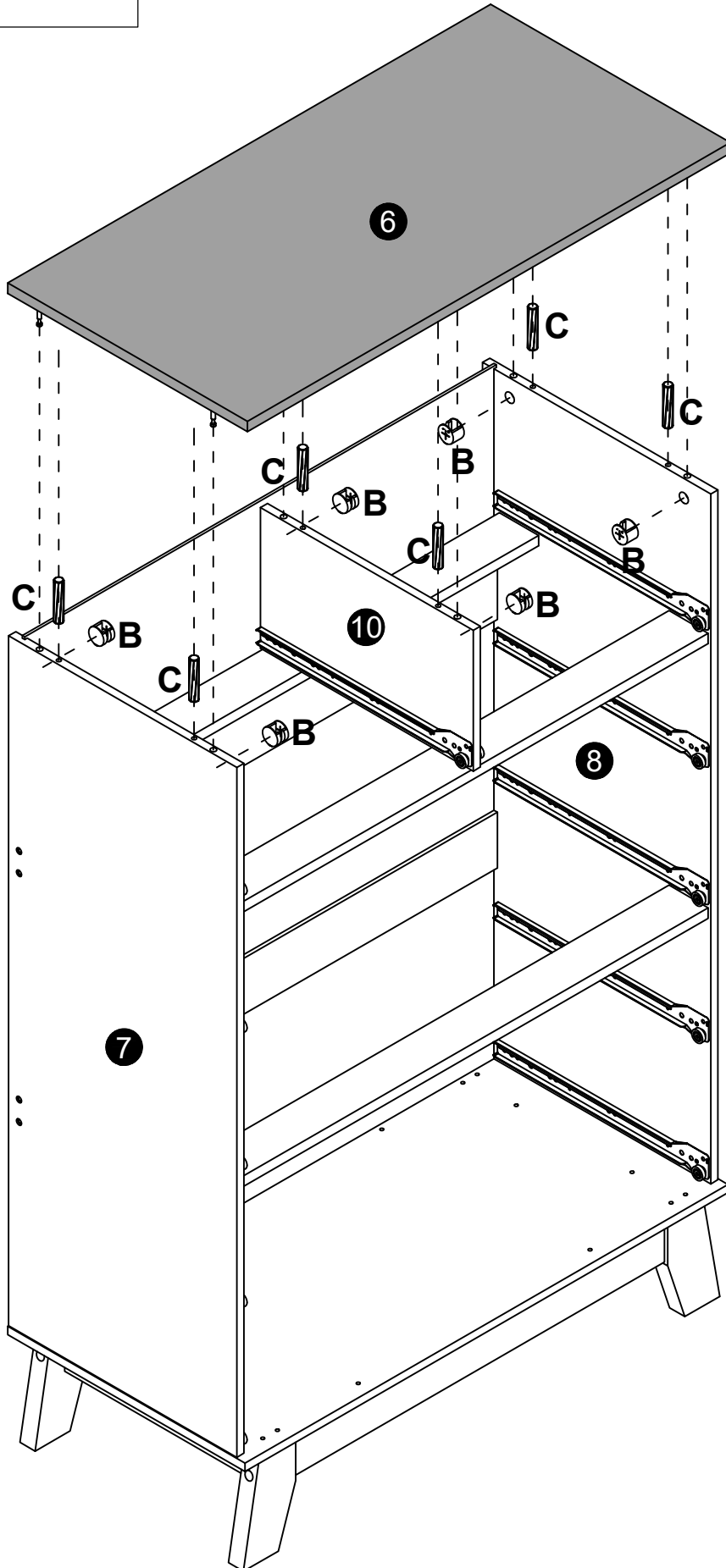


A x6

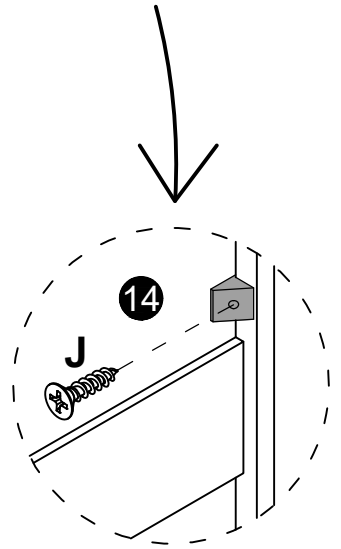
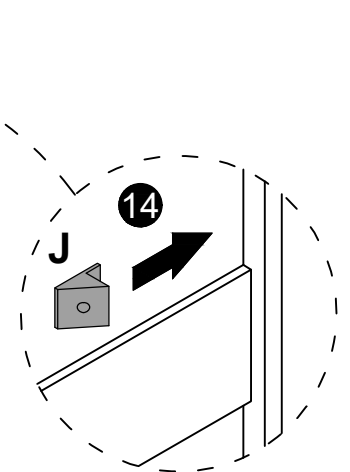
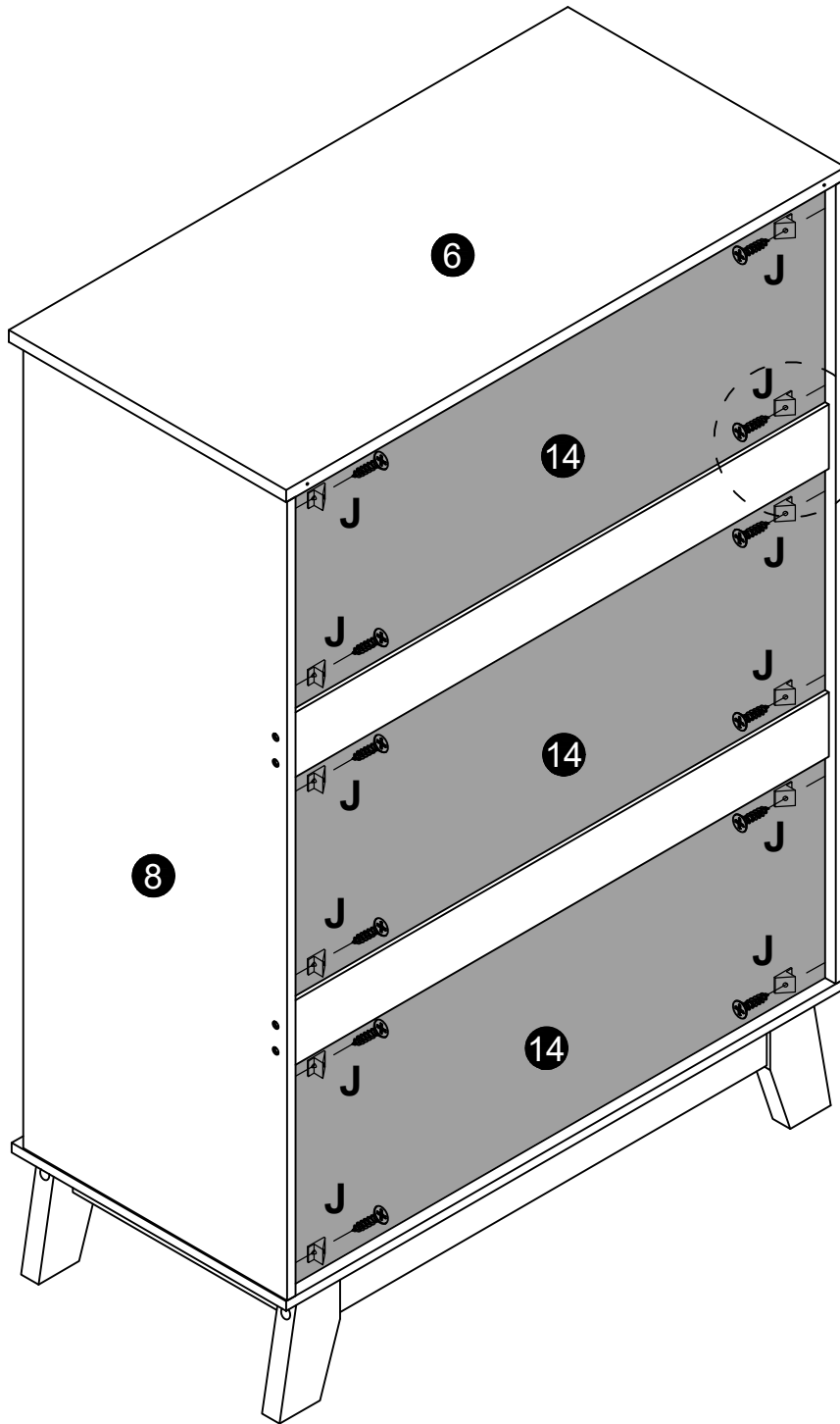


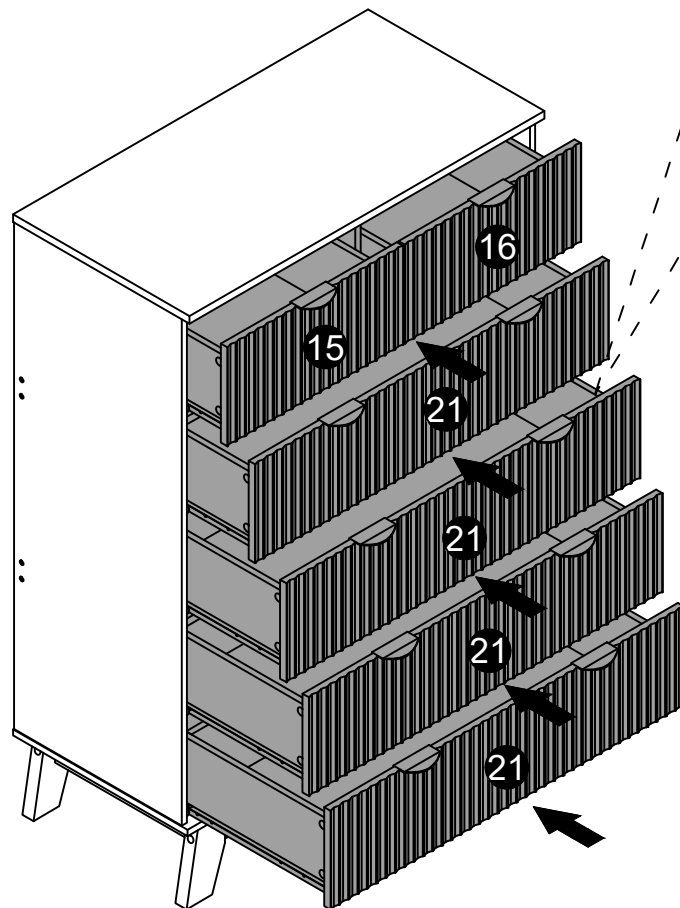
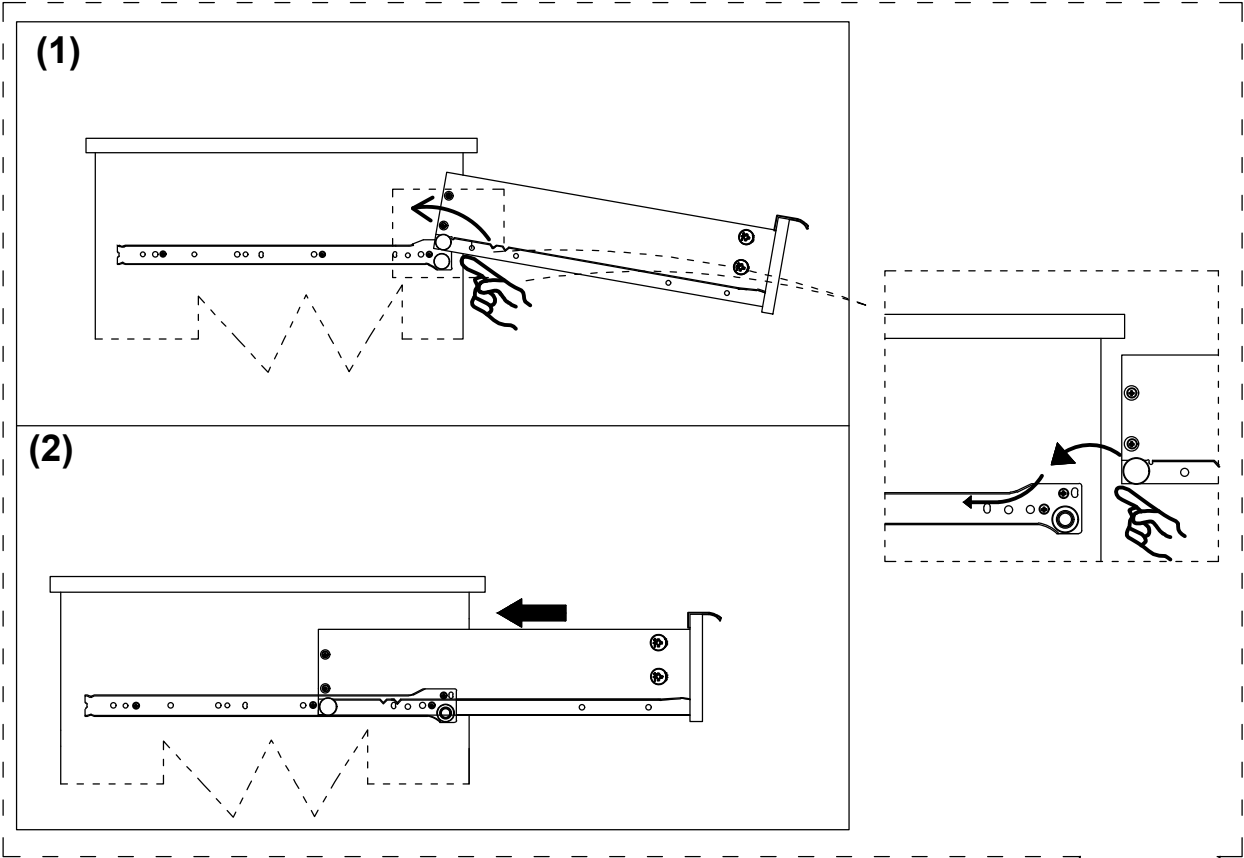
B x6

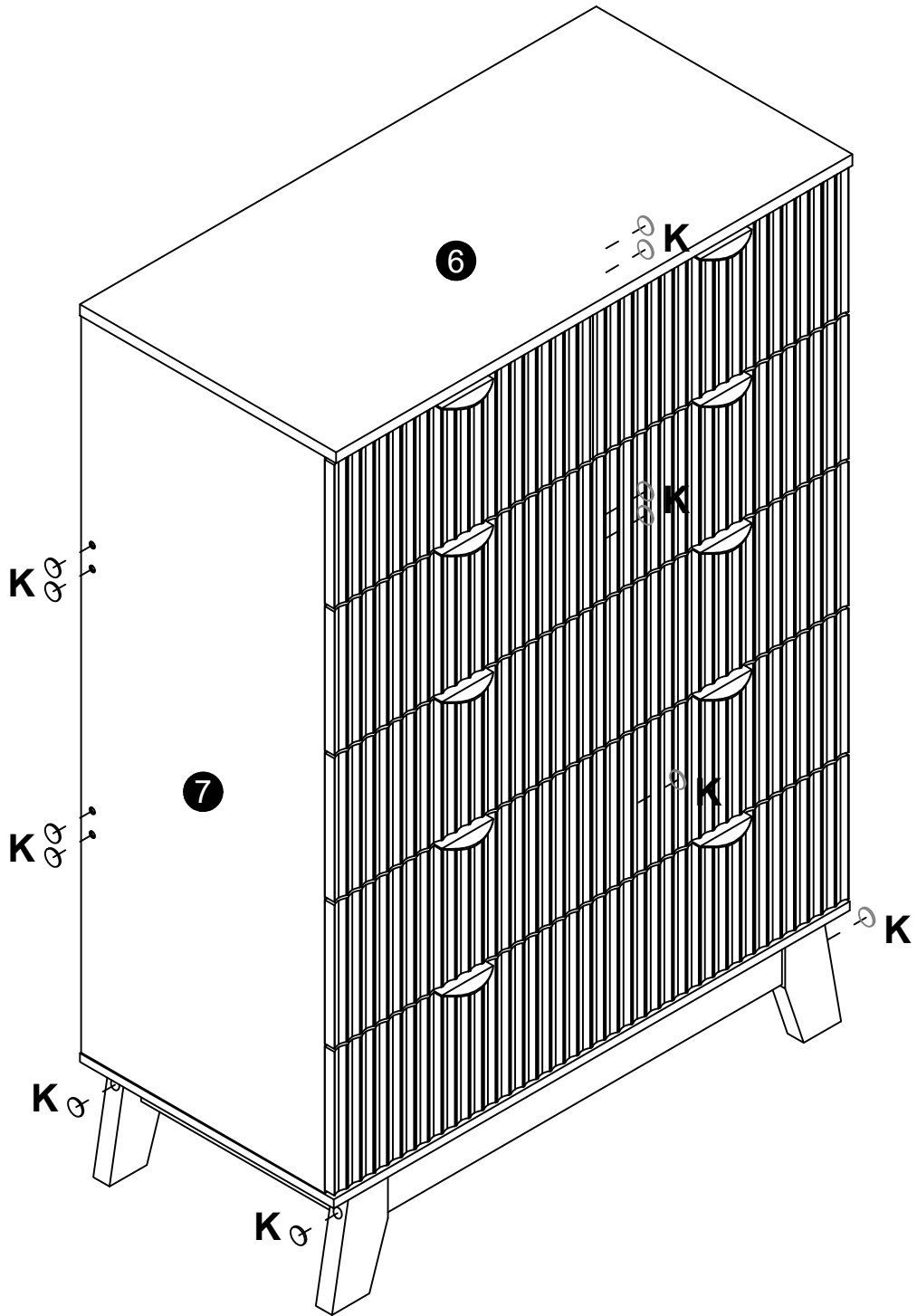
C x6



J x12







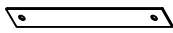
D x2



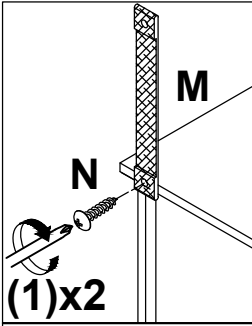
N x2



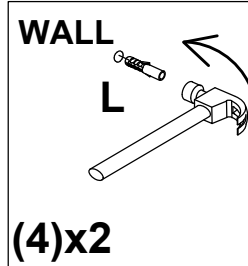
M x2



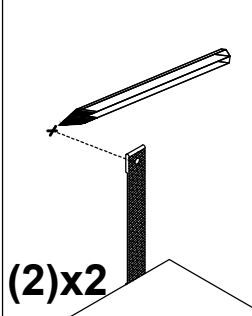
L x2



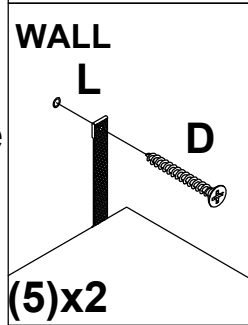
First fix the anti-rewind screw in the reserved hole of the product.



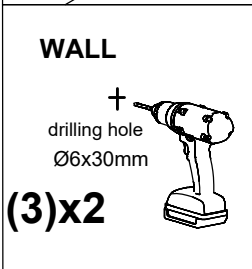
Then, put the expansion bolt into the hole



then, use a ruler to measure the approximate height of the product on the wall, and then mark it with a pen.



Finally, pass the matching screws through the "anti-rewind" and tighten them to fix them on the wall.



Then use a tape drill to make holes in the wall that are suitable for the product screws.

