

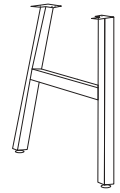



Diagram illustrating assembly steps and safety warnings:

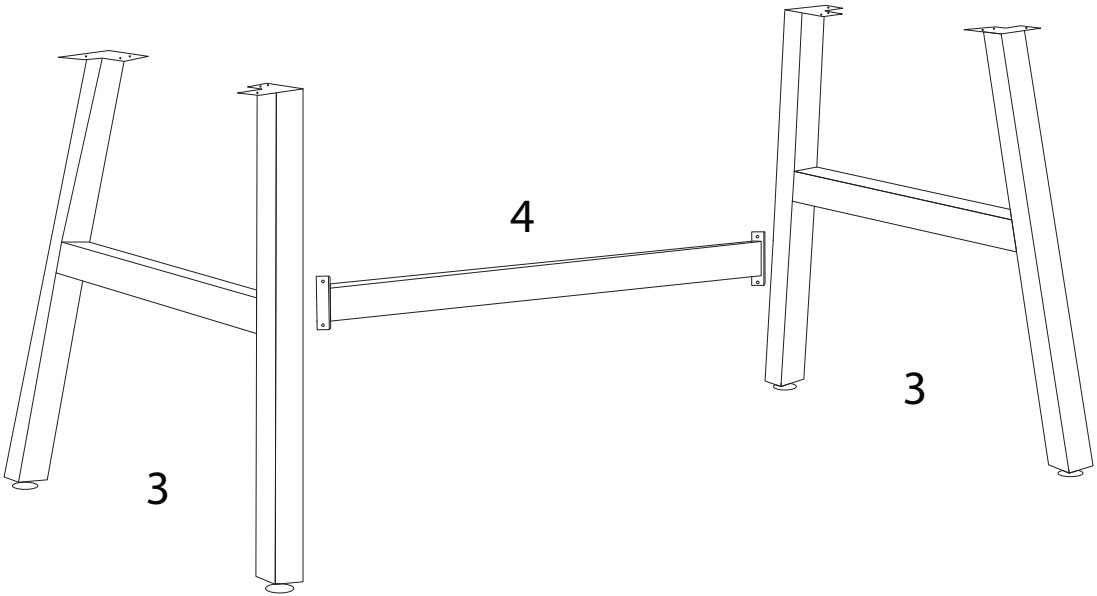
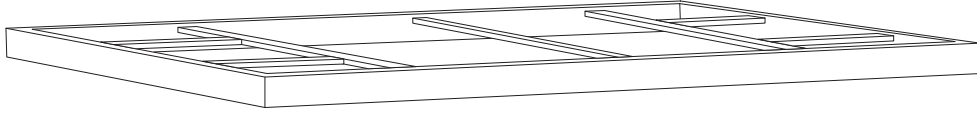
- Step 1:** Shows an L-shaped metal bracket being attached to a leg using a power drill. A warning triangle with an exclamation mark is present.
- Step 2:** Shows a rectangular block being attached to the table surface using a power drill. A warning triangle with an exclamation mark is present.
- Time:** A clock icon indicates a 30-minute assembly time.
- Personnel:** An icon of a person indicates that 2 people are required for assembly.


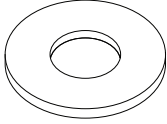
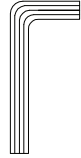
<p>1</p>  <p>x 1</p>	<p>2</p>  <p>x 1</p>	<p>3</p>  <p>x 2</p>	<p>4</p>  <p>x 1</p>
---	---	--	---

1

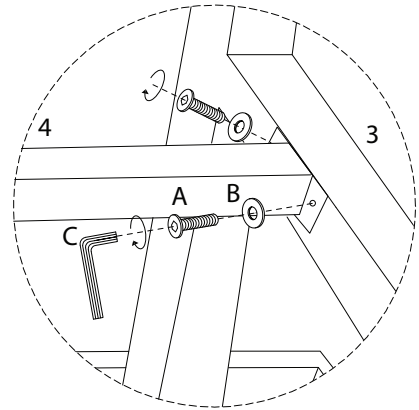
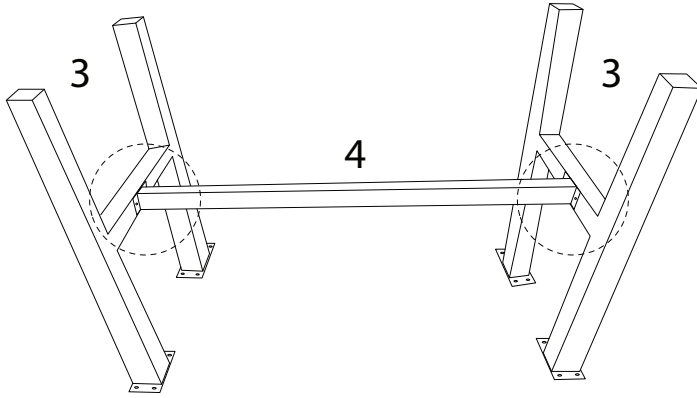
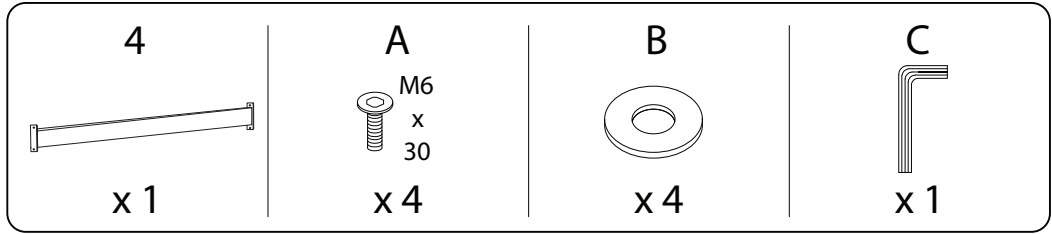


2

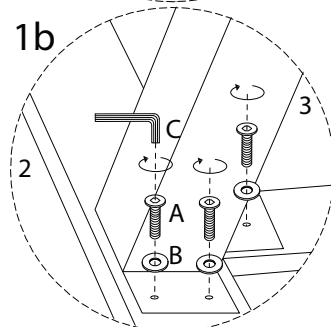
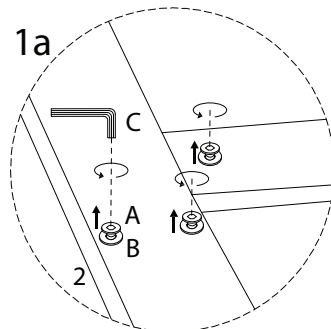
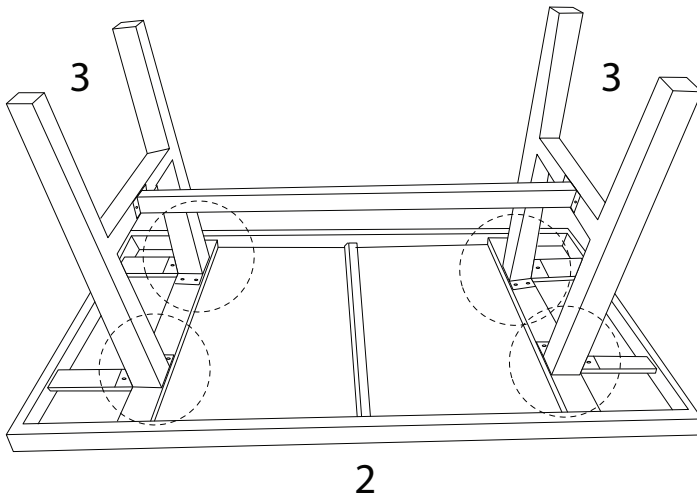
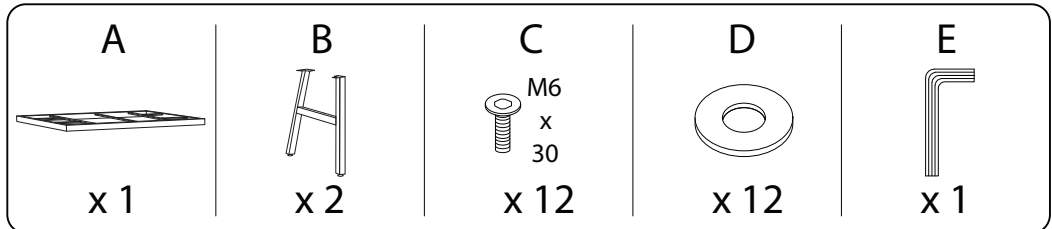


<p>A</p>  <p>M6 x 30</p> <p>x 16</p>	<p>B</p>  <p>x 16</p>	<p>B</p>  <p>x 1</p>
---	--	---

1



2



3

