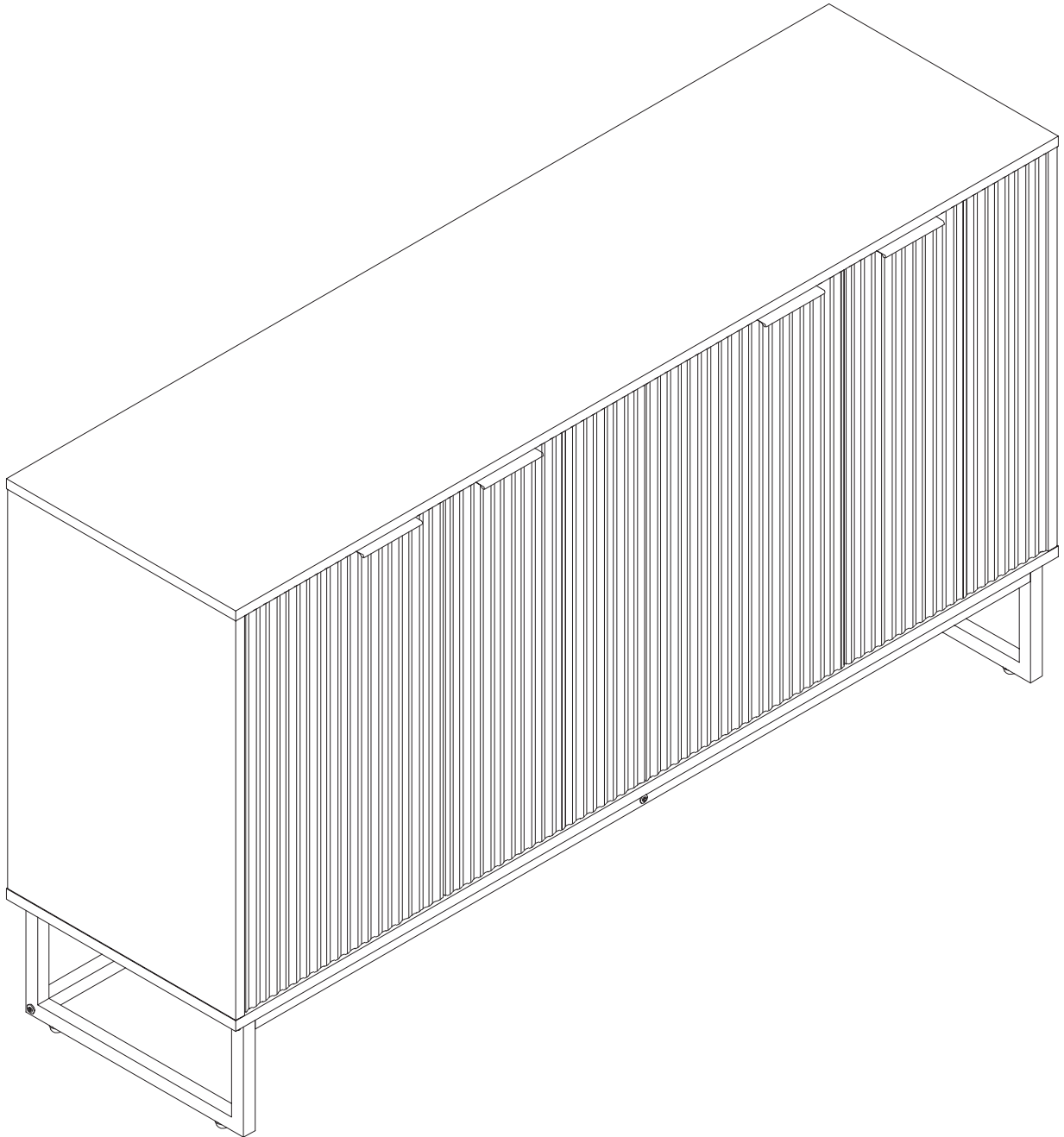
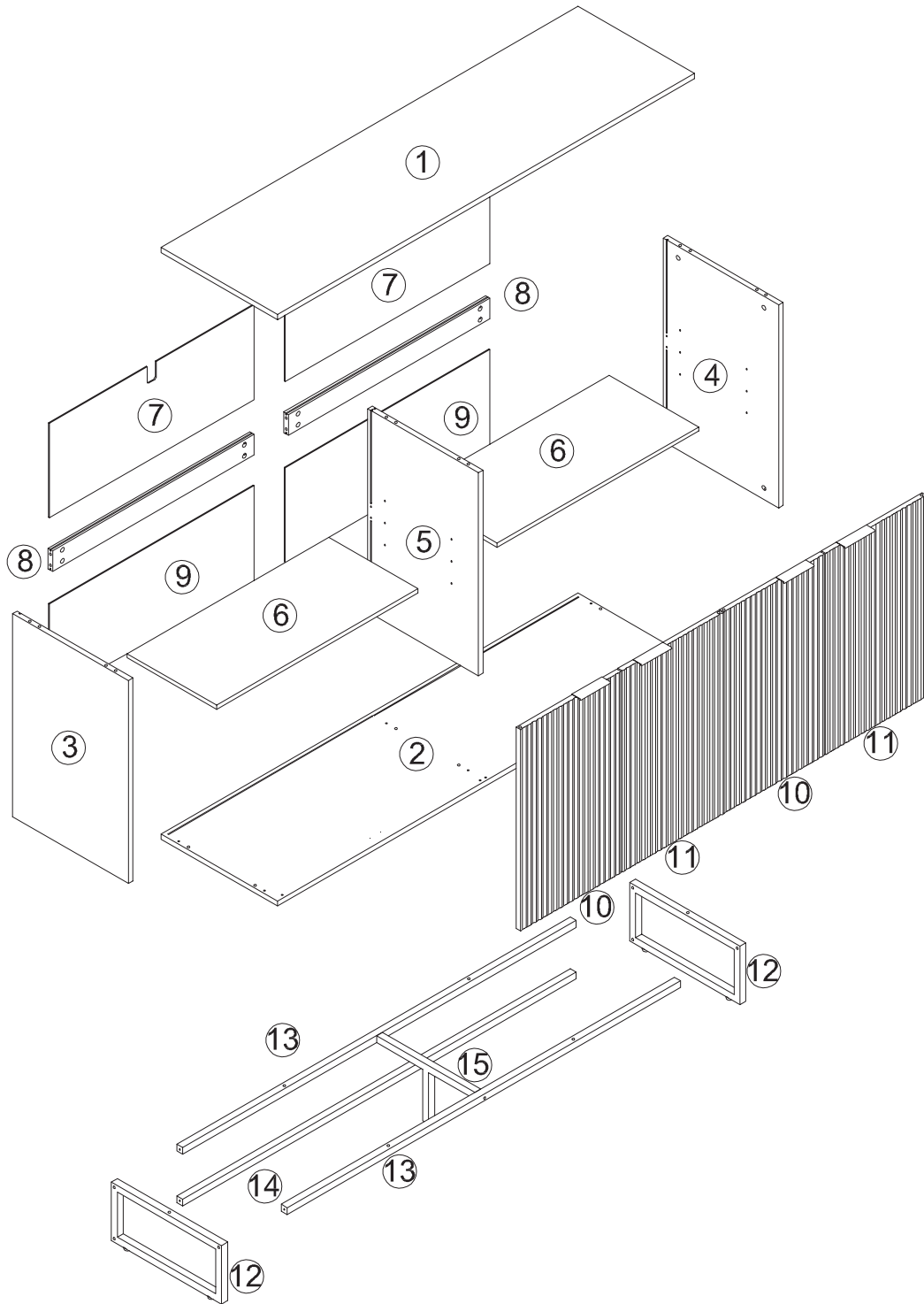


# 4-Door Fluted Cabinet



ASSEMBLY INSTRUCTIONS

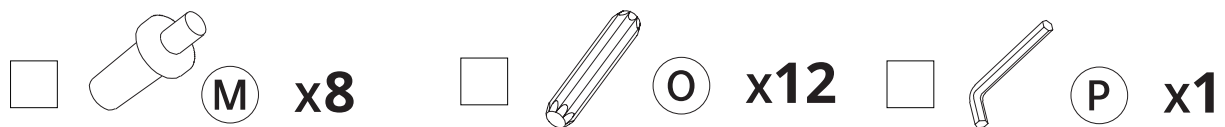
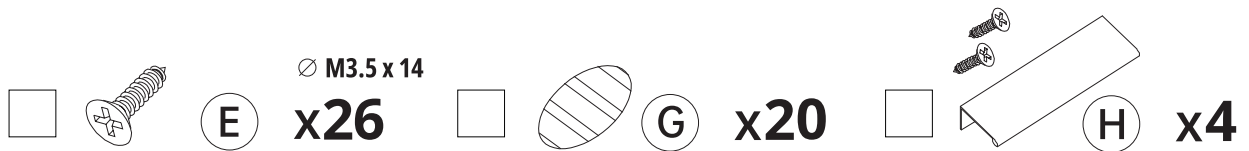
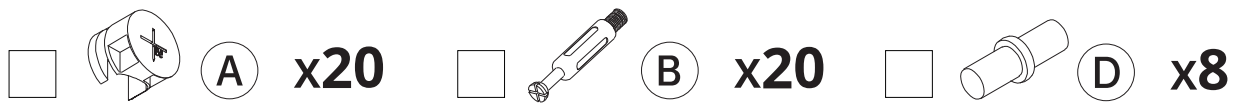
# Parts



## IMPORTANT

1. Do not tighten bolts/screws completely until all bolts/screws are lined up and inserted into holes.
2. Do not over-tighten screws and bolts to avoid stripping.
3. Please use hand tools to assemble this product. Do not use power tools.




# Hardware



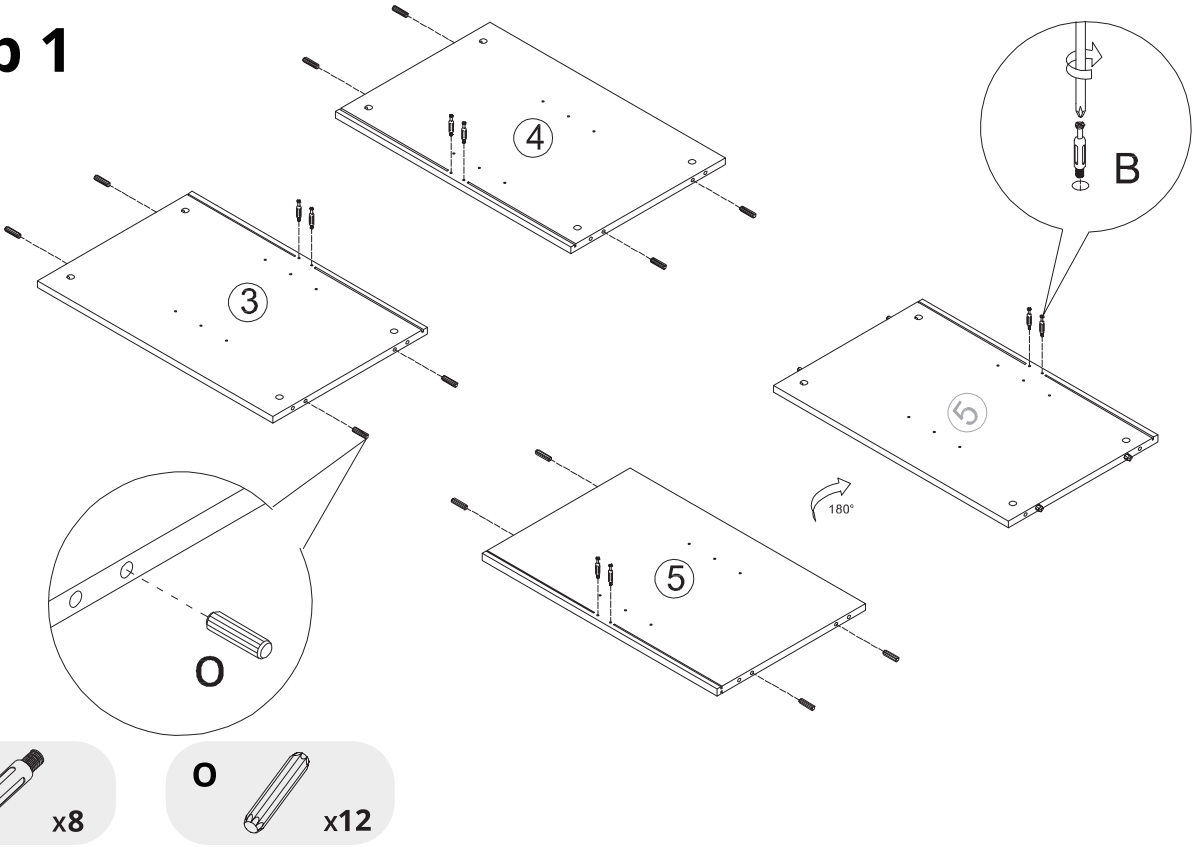
Before discarding the packaging, please use the checklist to ensure you have all the parts required to assemble your product. Please kindly note you will need the original package if you want to return the product later.



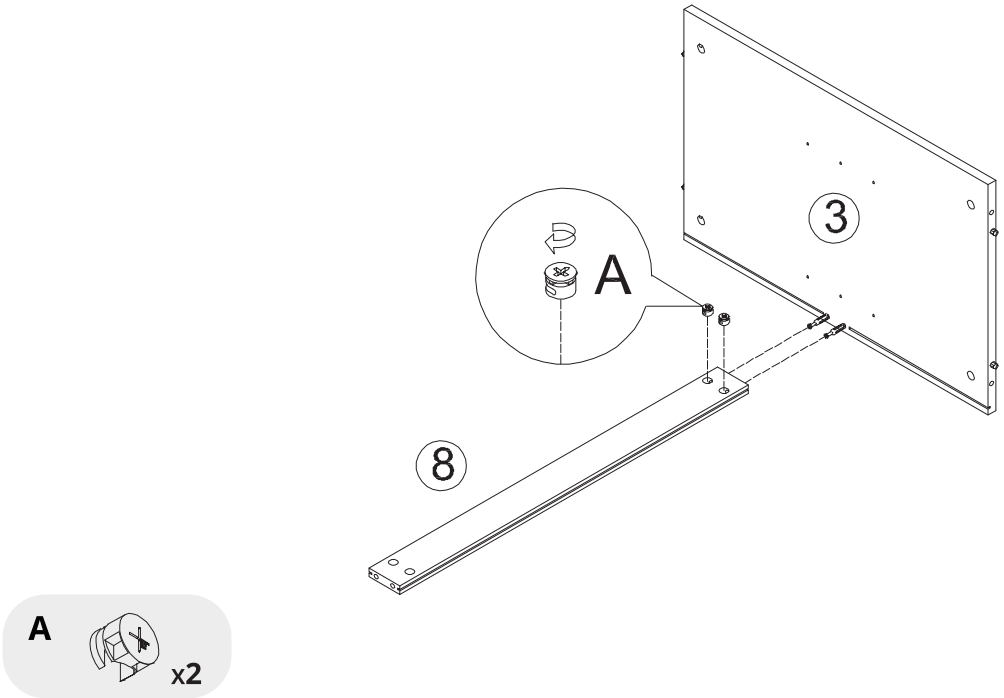
If parts are missing or damaged, we will gladly ship your replacements parts free of charge.

		
<b>x2</b>	<b>120mins</b>	<b>x1</b>

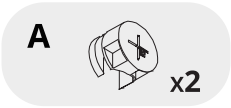
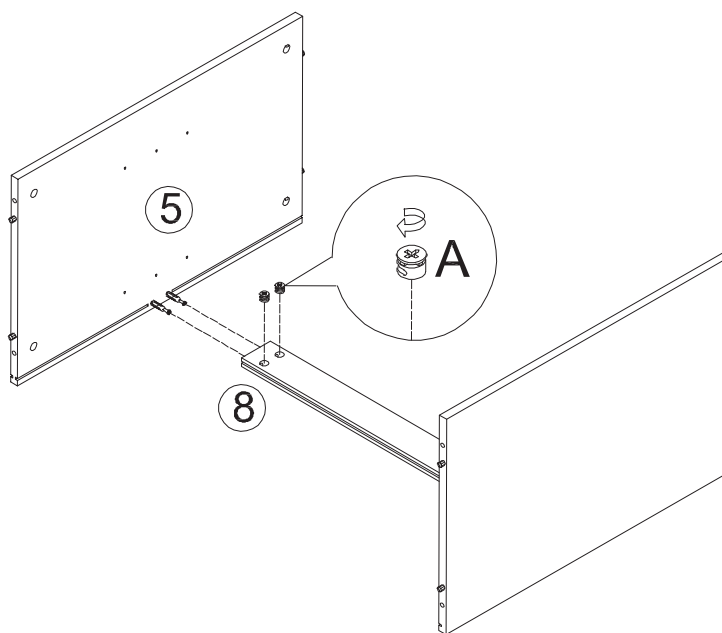
# Step 1



# Step 2

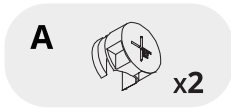
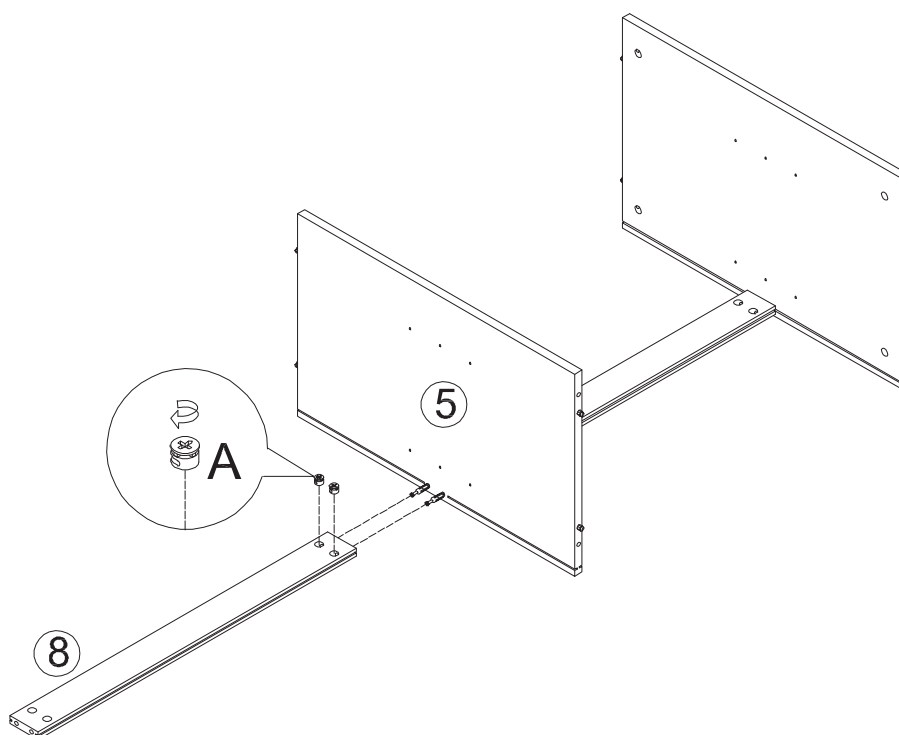


# Step 3

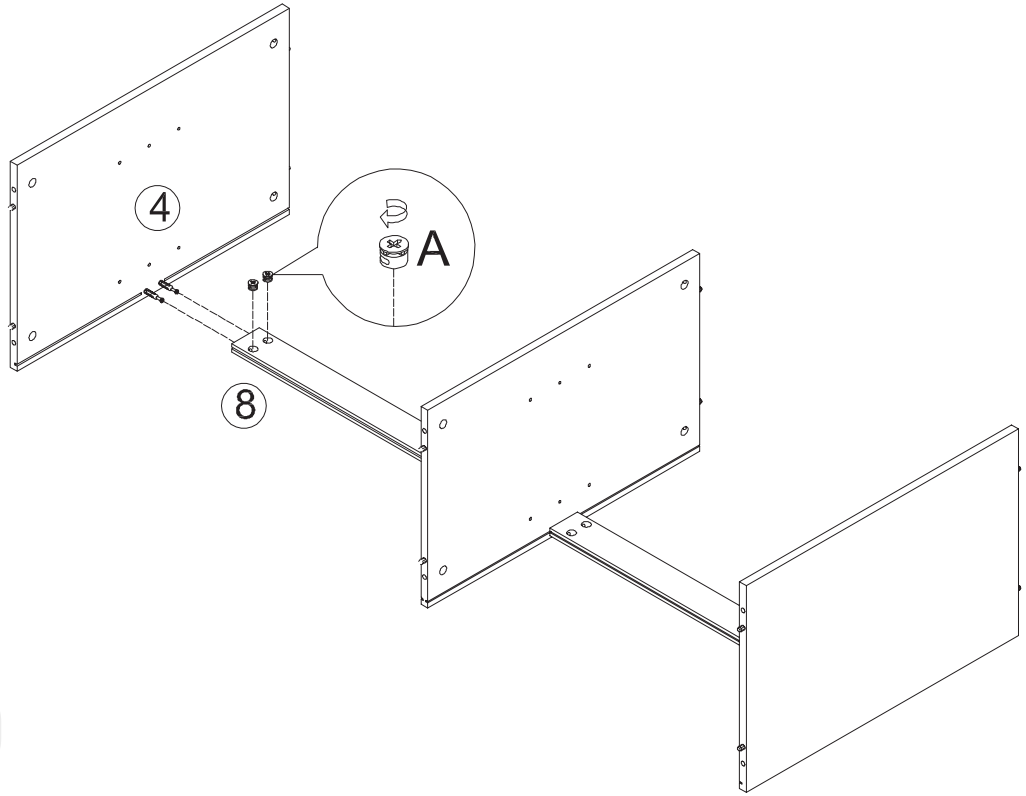


---

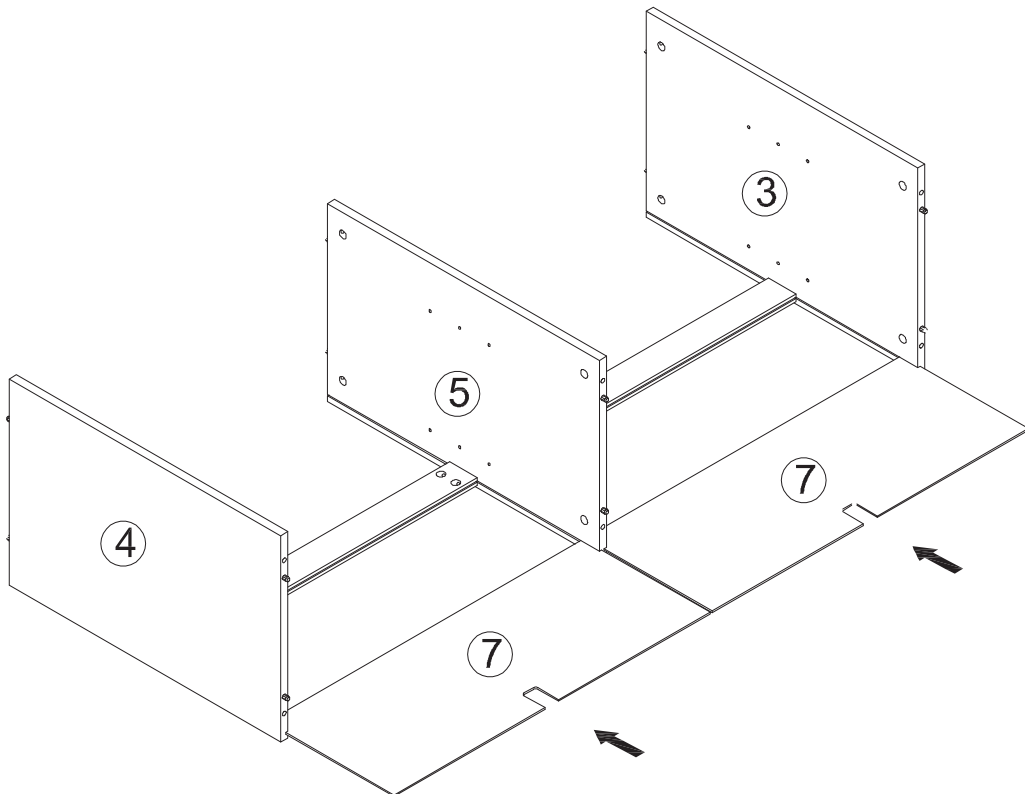
# Step 4



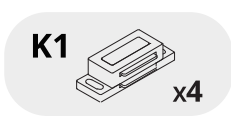
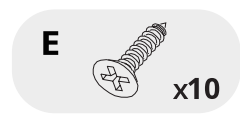
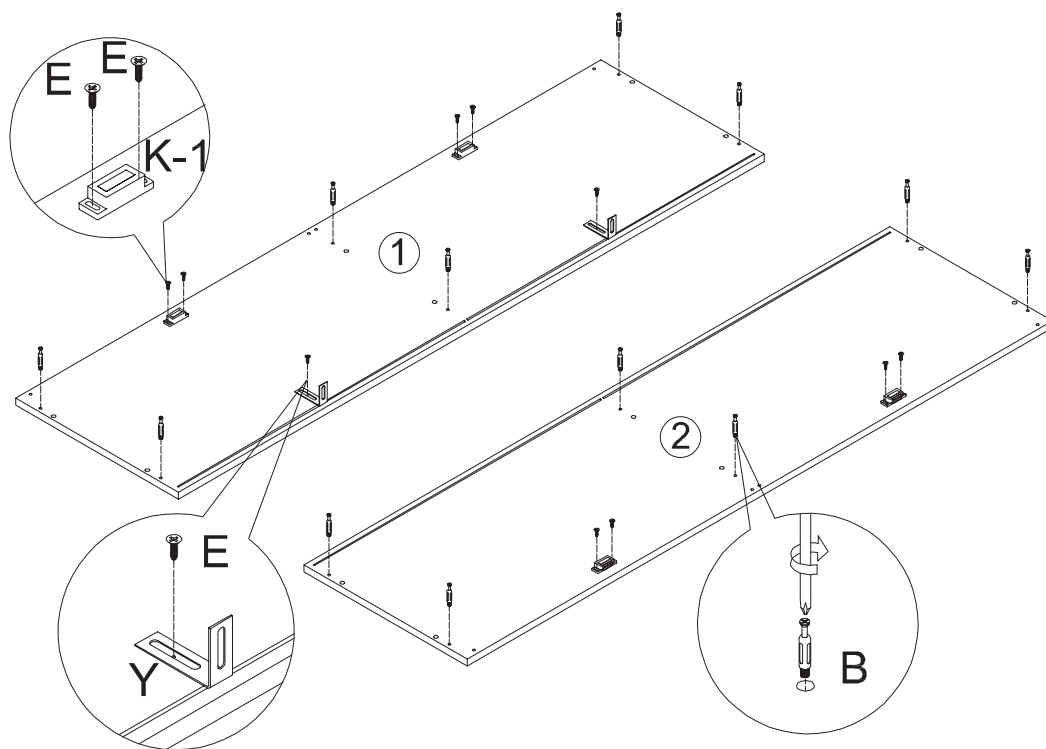
# Step 5



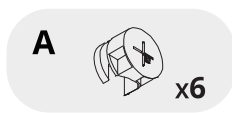
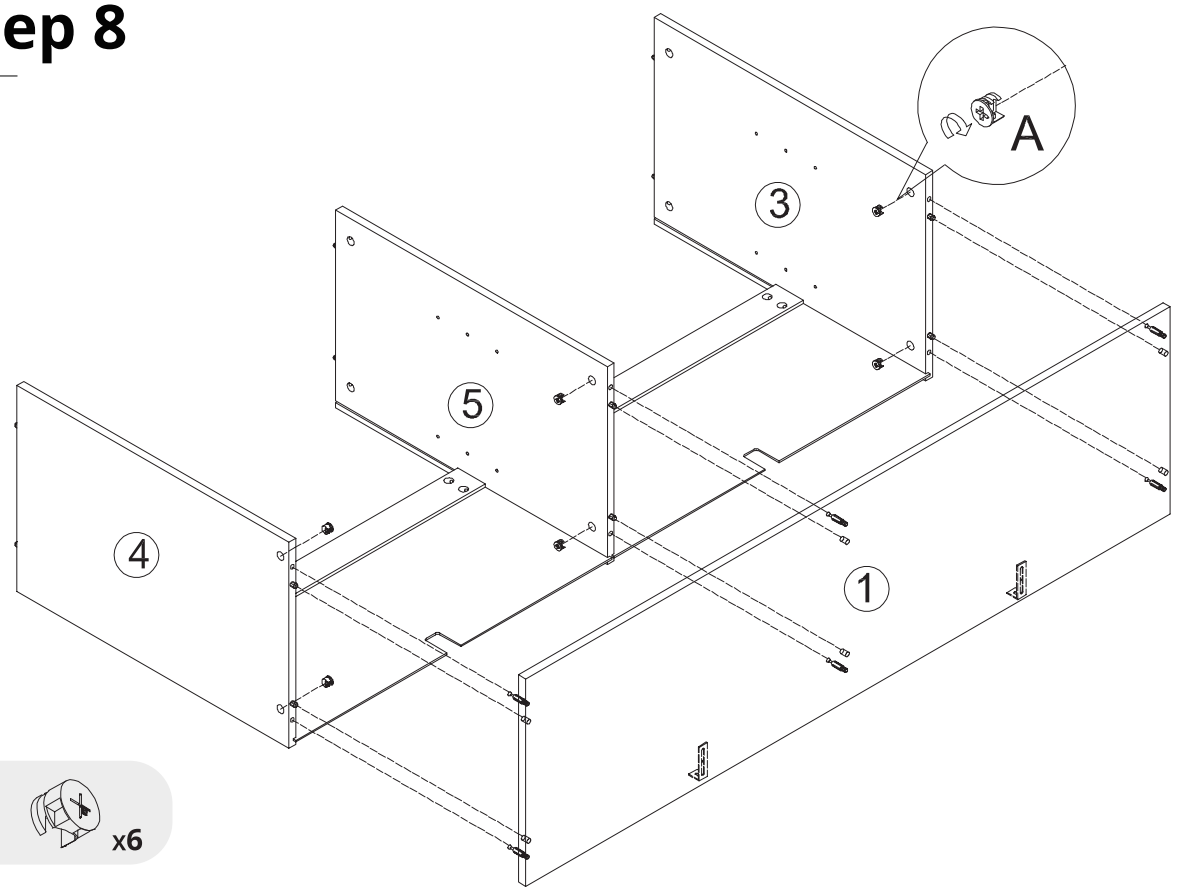
# Step 6



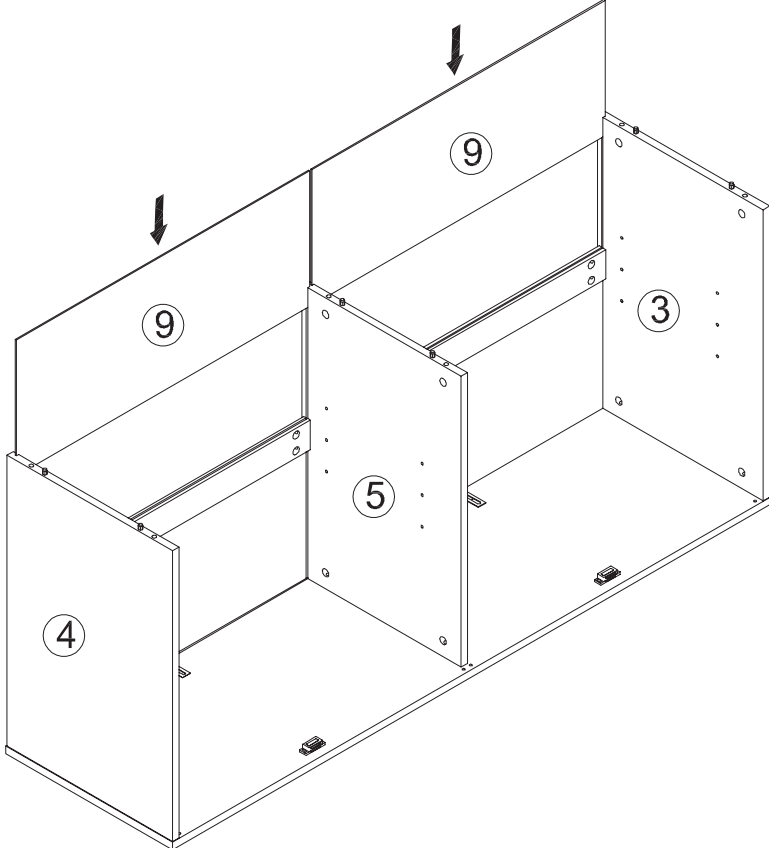
# Step 7



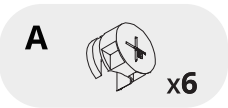
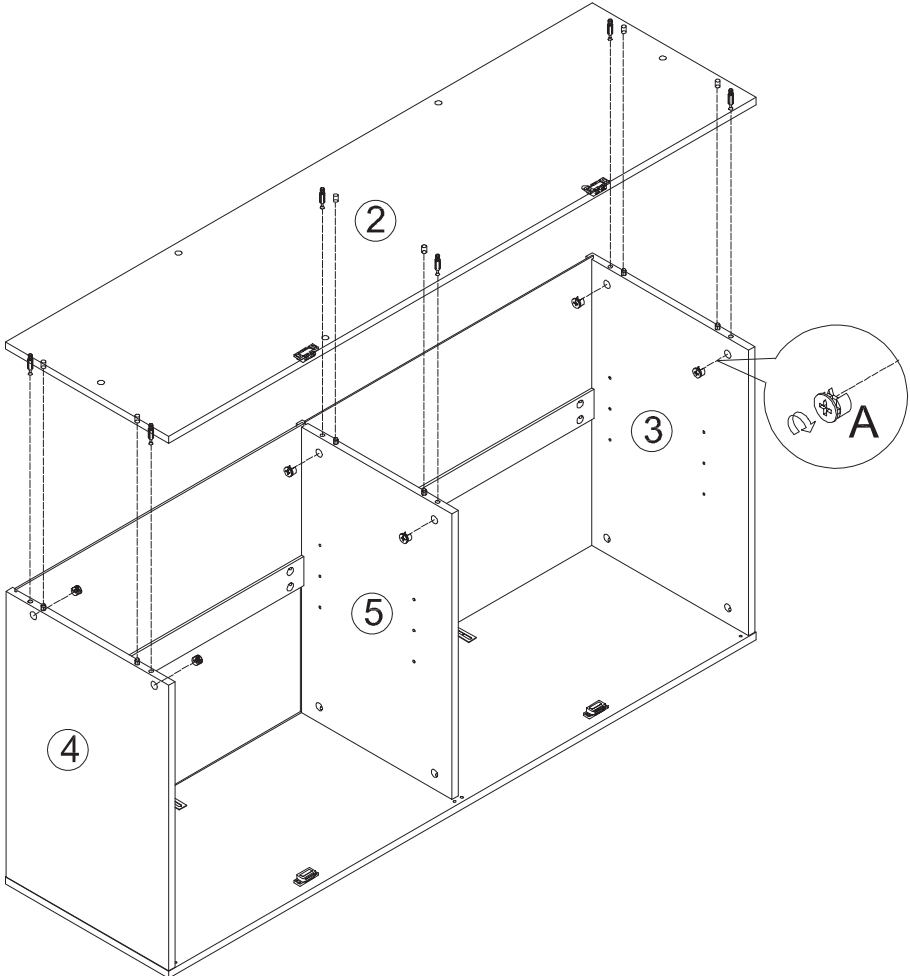
# Step 8



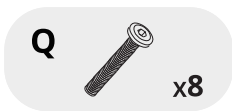
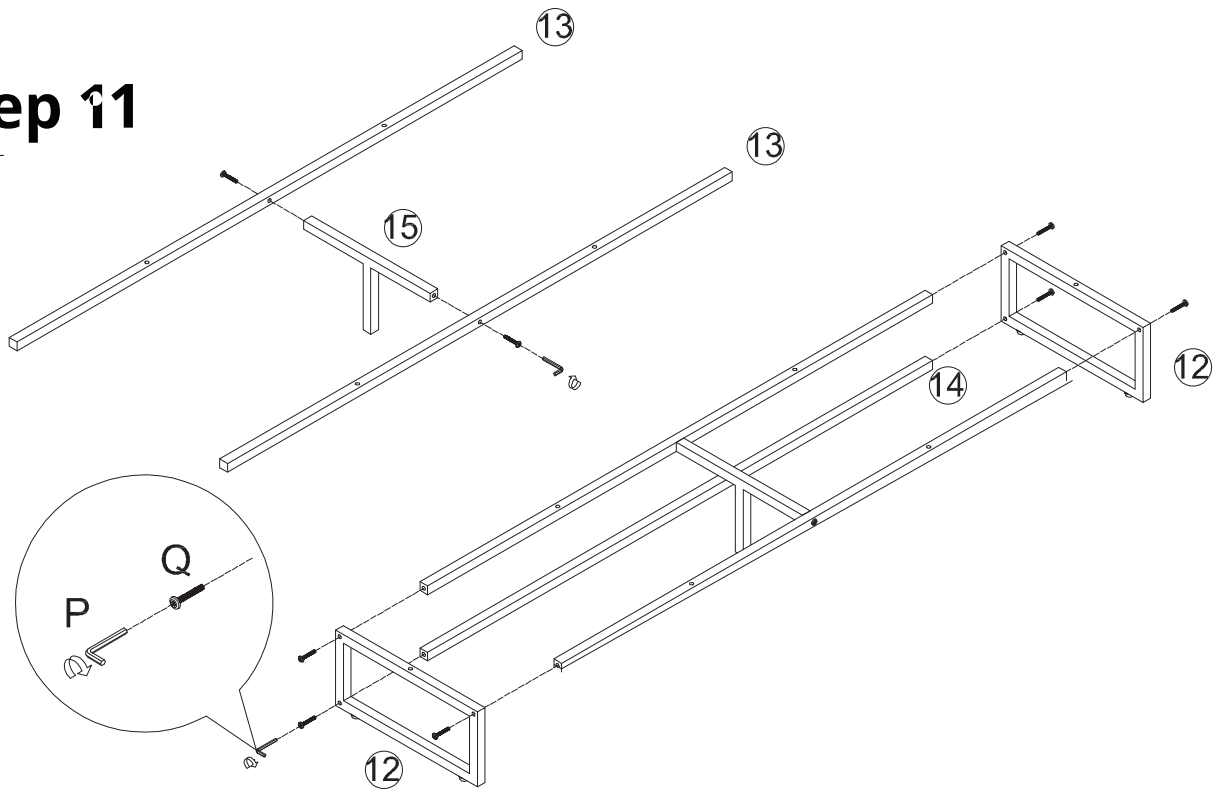
# Step 9



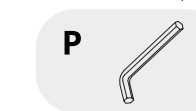
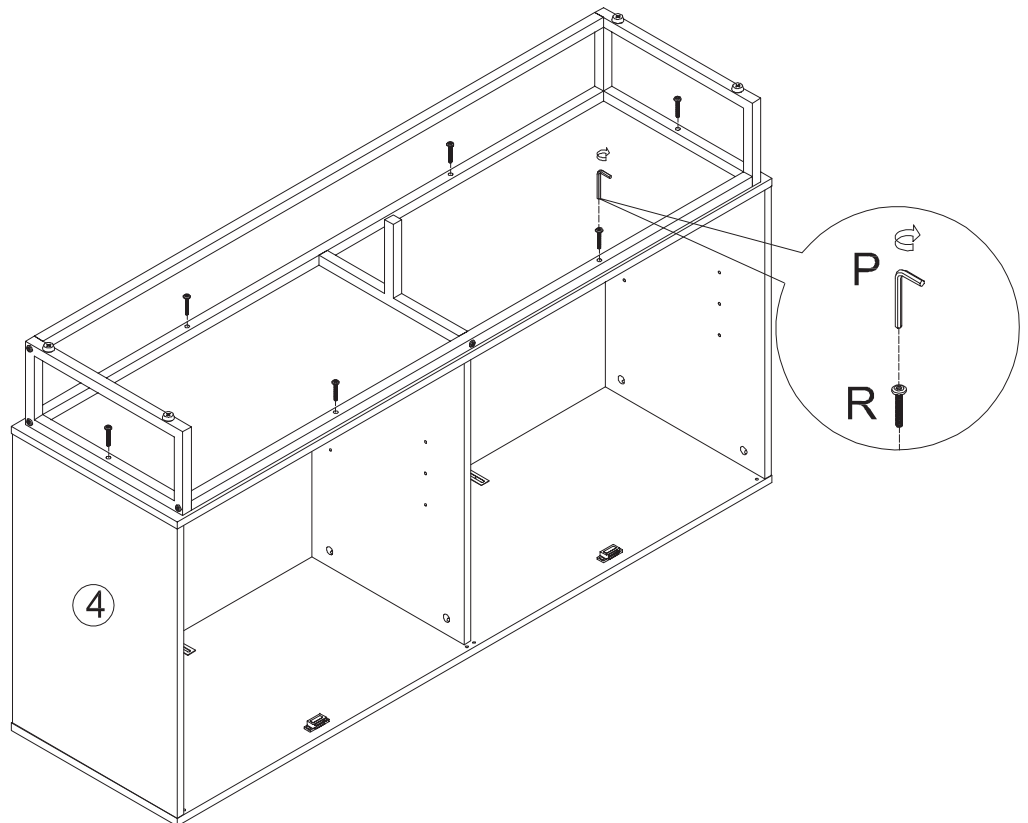
# Step 10



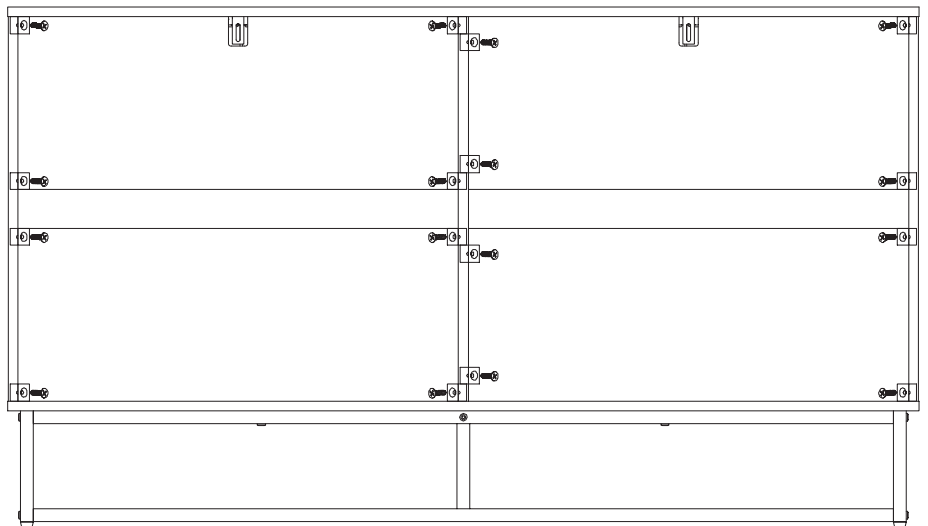
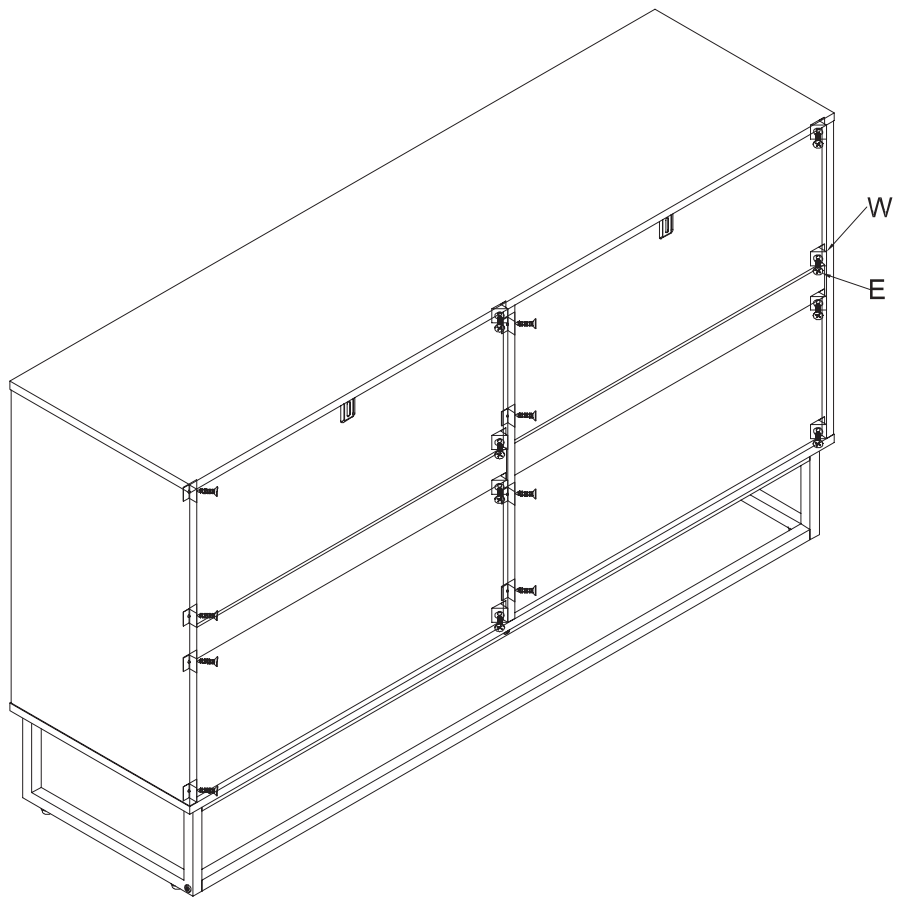
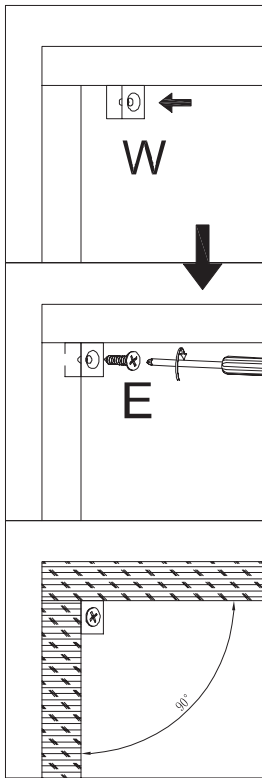
# Step 11



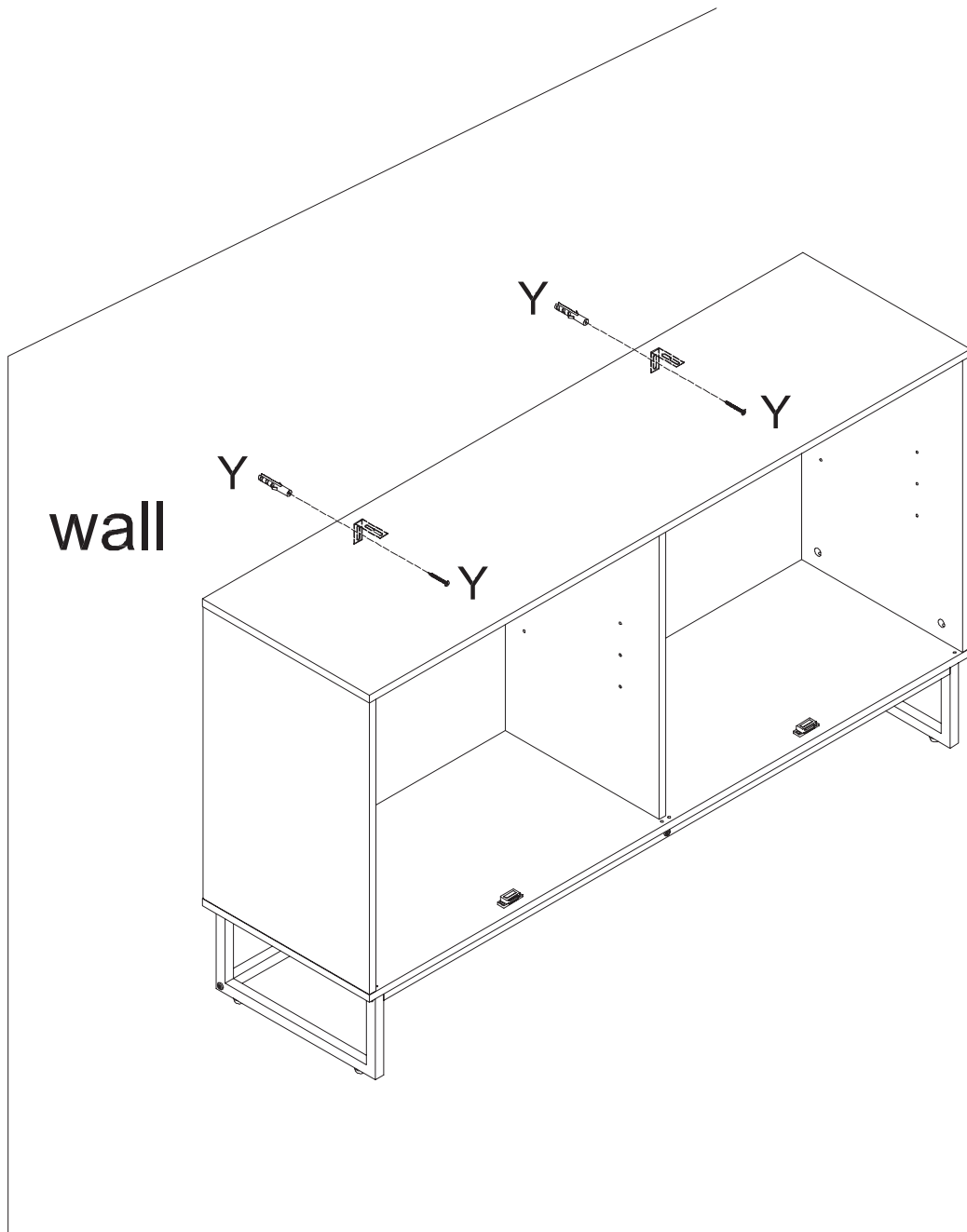
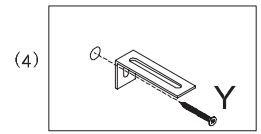
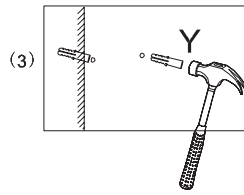
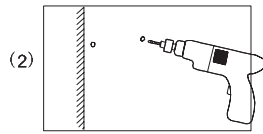
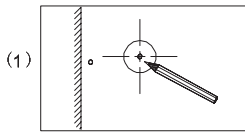
# Step 12



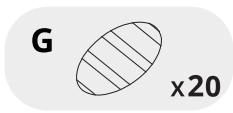
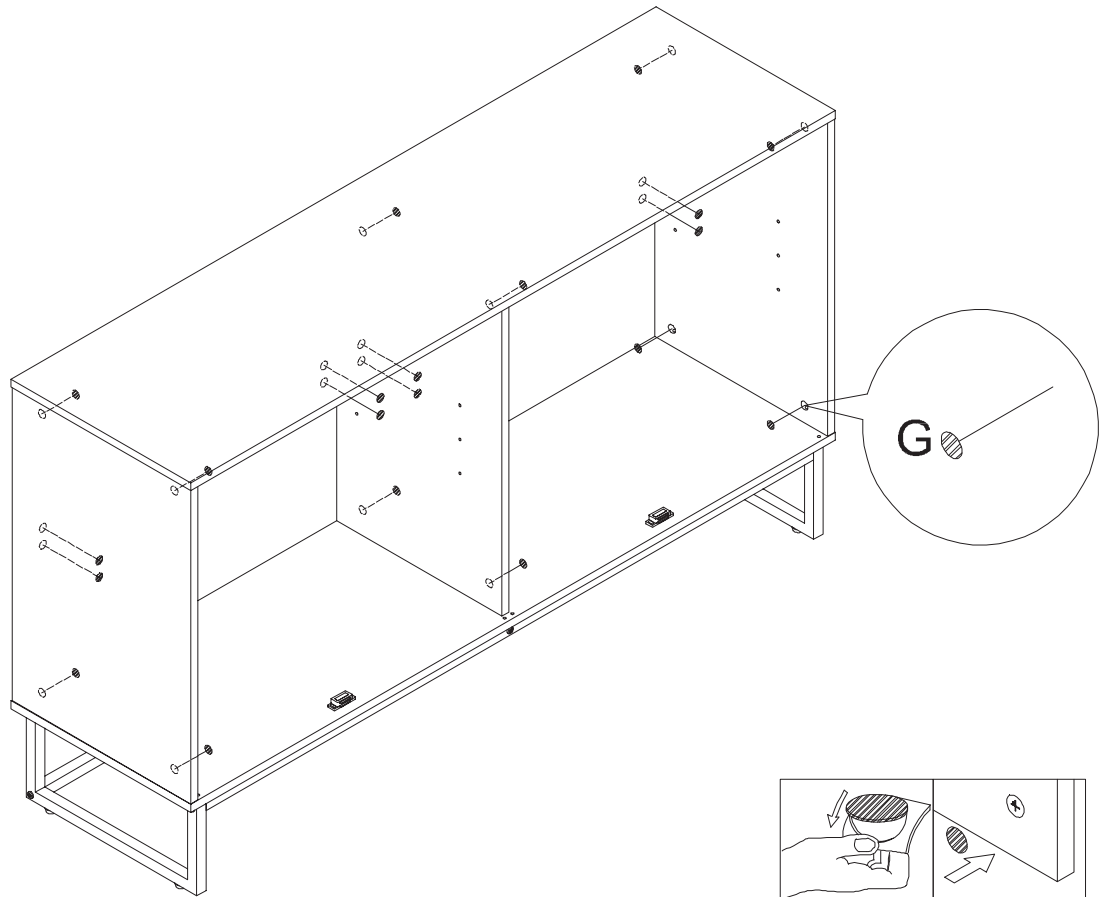
# Step 13



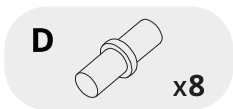
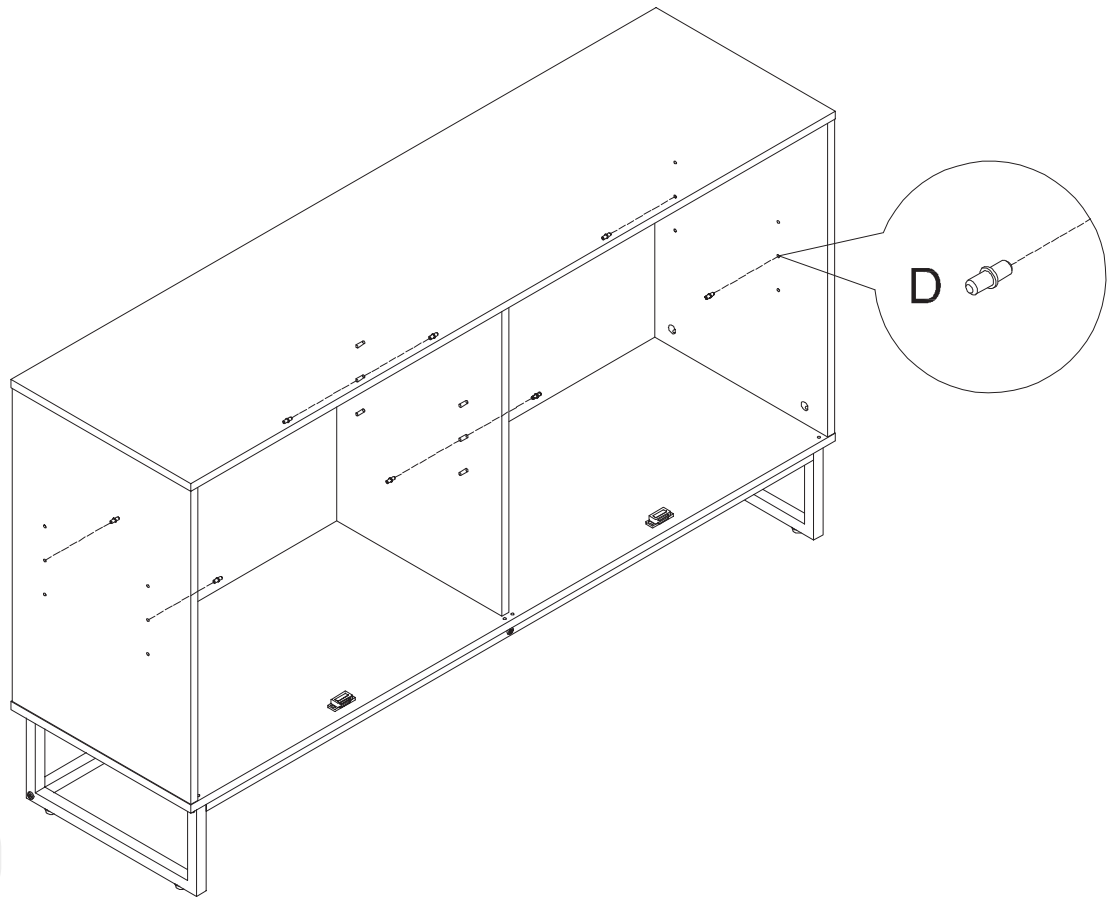
# Step 14



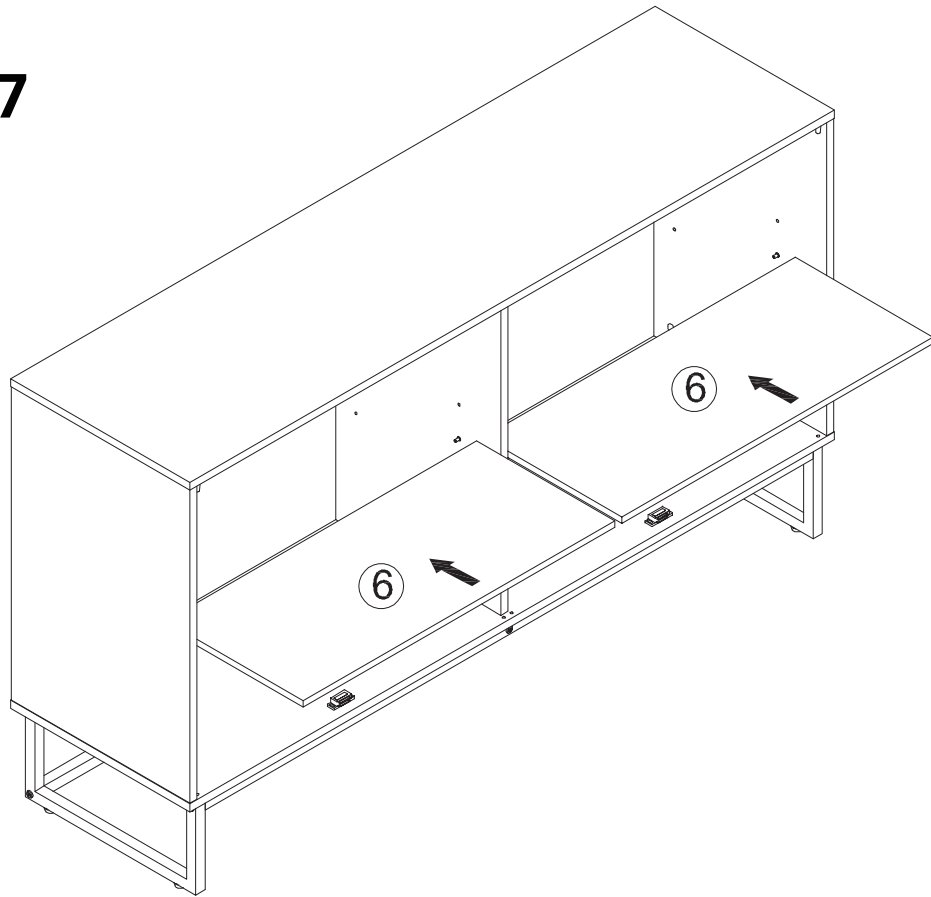
# Step 15



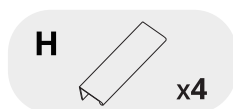
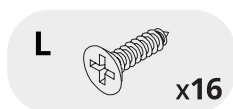
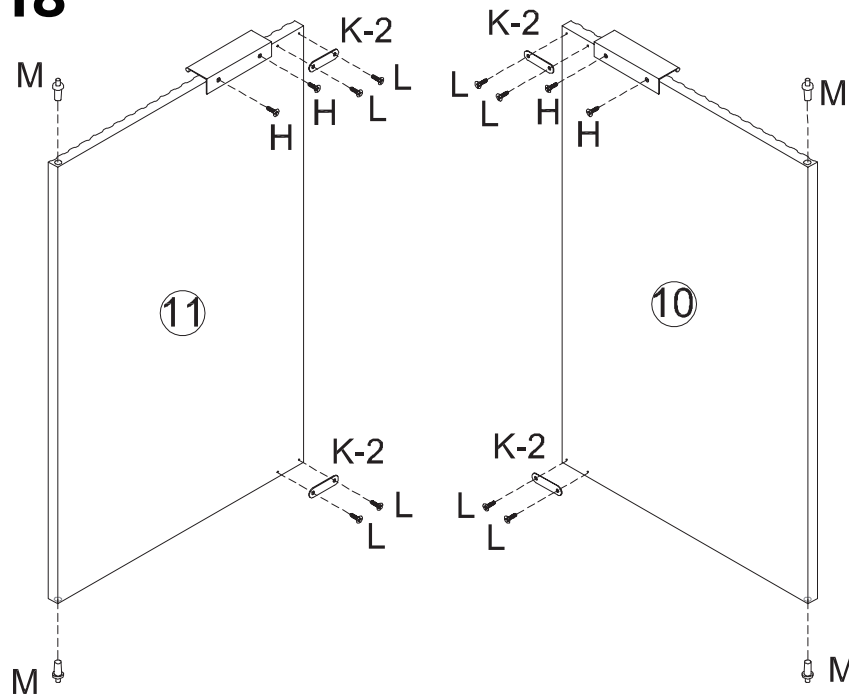
# Step 16



# Step 17

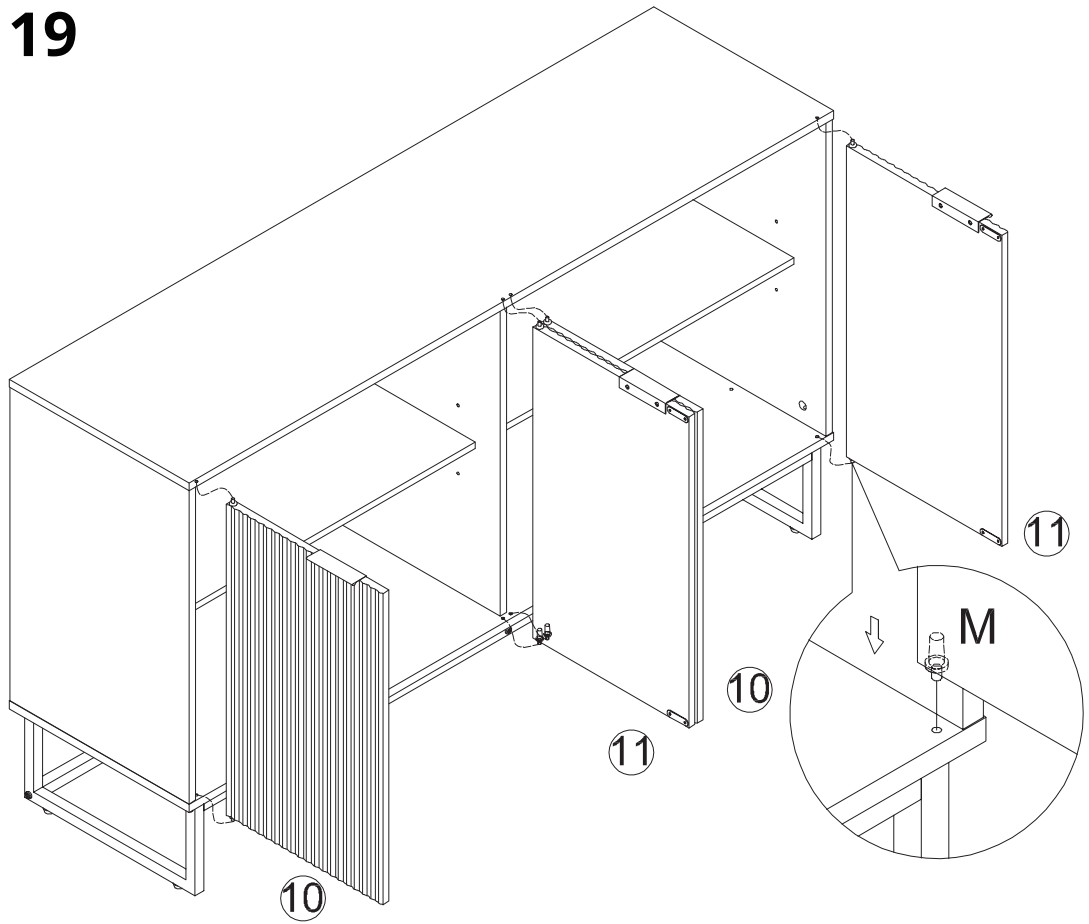


# Step 18

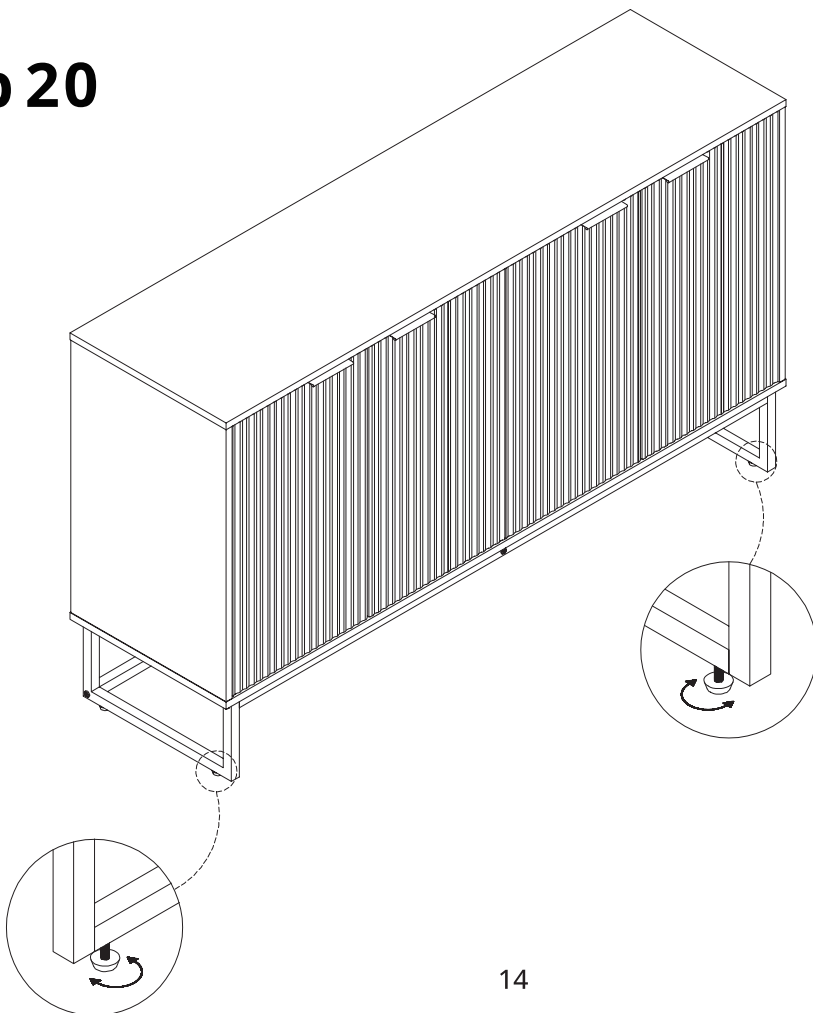


x2

# Step 19



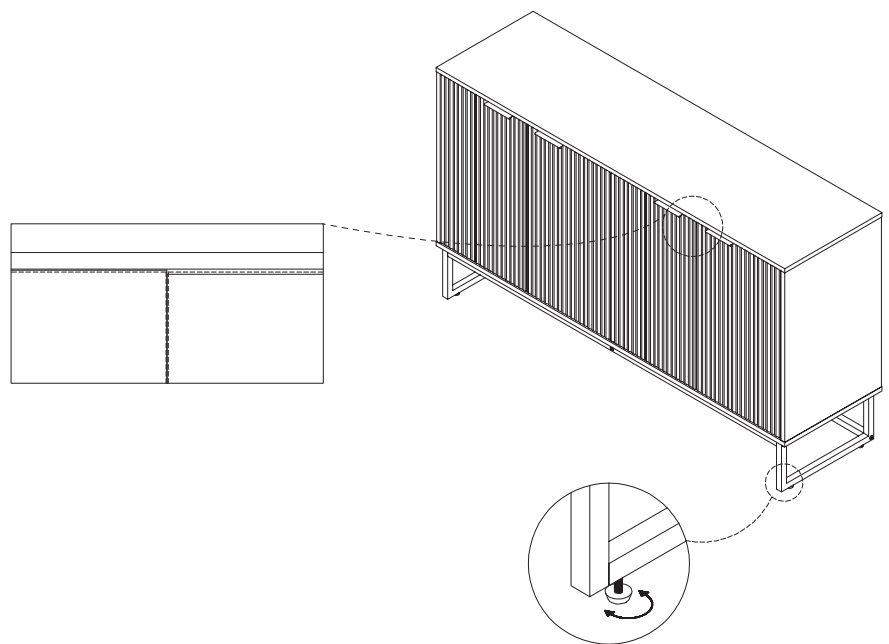
# Step 20



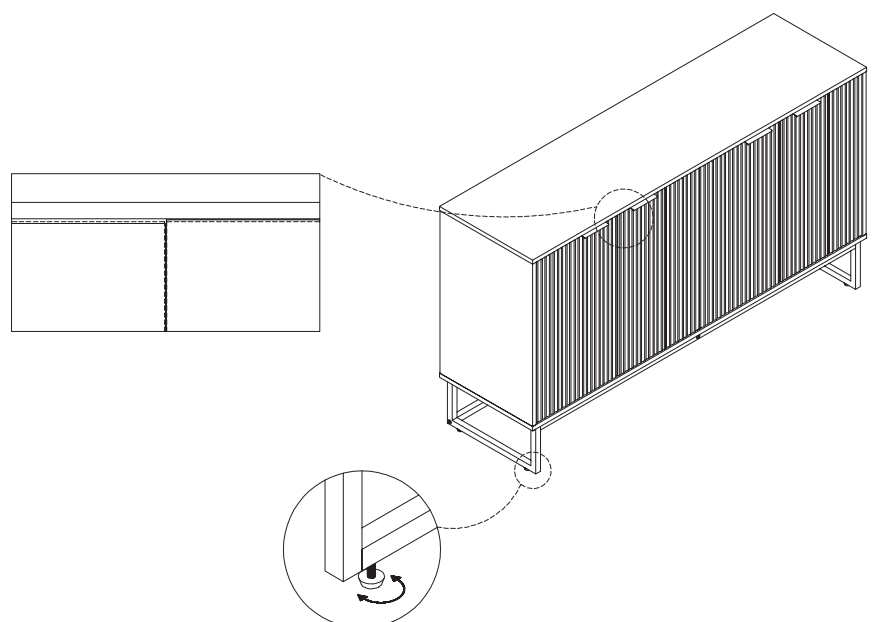
# Is your cabinet door looking crooked or unevenly spaced?(Cont.)

If you're still having trouble lining everything up, your next step should be to try to adjust the feet slightly to square up the cabinet & doors. Follow the illustrations below:

If the right door appears to be hanging low, you can adjust the adjustable leveler on the front right until the door is better aligned.



If the left door appears to be hanging low, you can adjust the adjustable leveler on the front left until the door is better aligned.



# CARE

# INSTRUCTIONS

If treated with respect and love, your furniture will last you a long time. Each piece requires light maintenance to maximize its longevity.

## **Here are a few quick tips before using this product:**

- The recommended weight limit for the table top is 100lbs and 26 lbs for each storage compartment.
- Avoid uneven weight distribution for a long time as it may cause damage to the product's shape.
- The swing door may not swing smoothly when the table is overloaded by weight.
- Check and tighten the camlock and screw periodically, as it may lose over time.

## **How to take care of it?**

- Avoid direct sunlight or use curtains or blinds to limit sun exposure to the product.
- Clean the product regularly with a dry, soft cloth.
- Avoid using the abrasive or liquid cleanser.
- Spillage may damage the surface. Clean immediately with a dry cloth.
- We recommend using placemats or coasters underneath glasses, cups, bowls, or plates to prevent scratches to the table surface.

Follow the care instructions and look after your furniture, in return, your furniture will look after you.