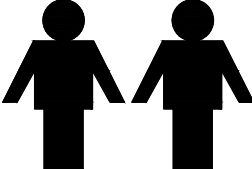


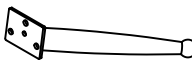
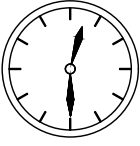
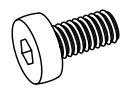
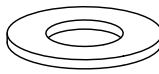
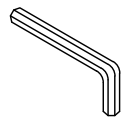

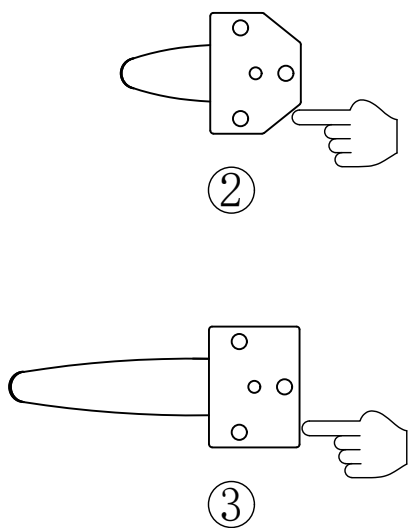
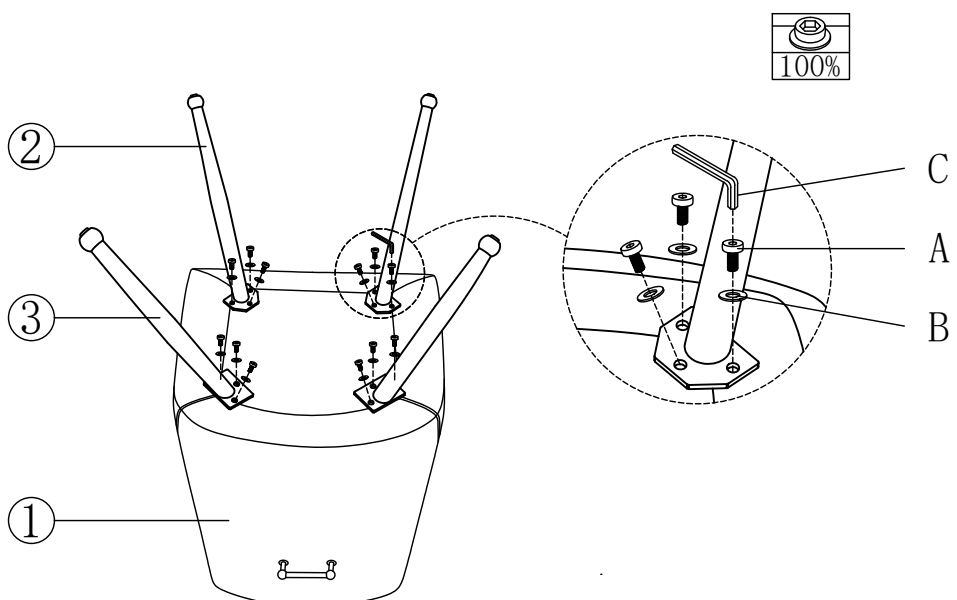





# JC-230 ASSEMBLY INSTRUCTION

	 ① × 1	 ② × 2	 ③ × 2		
	 A × 12 M6 × 18	 B × 12 Ø6 × Ø14	 C × 1 5#	 D × 4	

## 1





		
A × 12	B × 12	D × 4

## 2



## **Friendly Reminder**

1. If you receive any product or accessory with issues, please feel free to contact us at any time. We will handle and resolve the problem for you as quickly as possible.
2. If the package you received does not contain all the items you purchased, please be patient. The remaining items will be delivered in separate packages. If you would like to check the status of the remaining items, please contact us through Amazon.

### **You can contact us in the following way:**

1. Find your order and go to the order details page.
2. On the details page, click **[Contact Seller]** to send a message.
3. Once we receive your message, we will resolve the issue as soon as possible.

