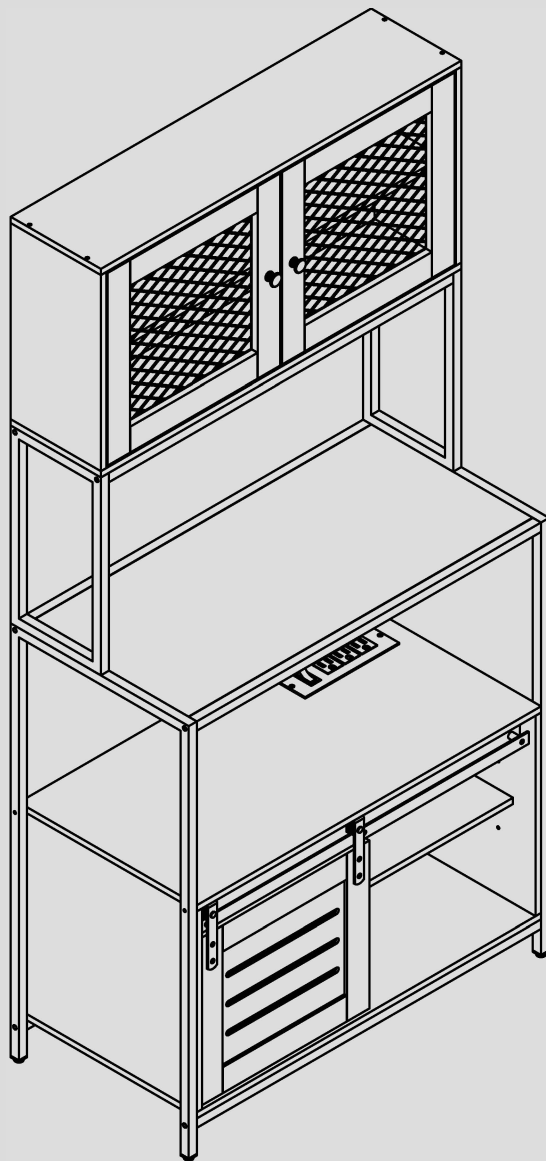


Kitchen Bakers Rack



Please check all the parts carefully before installation.

If there are any missing or defective parts, contact us freely.

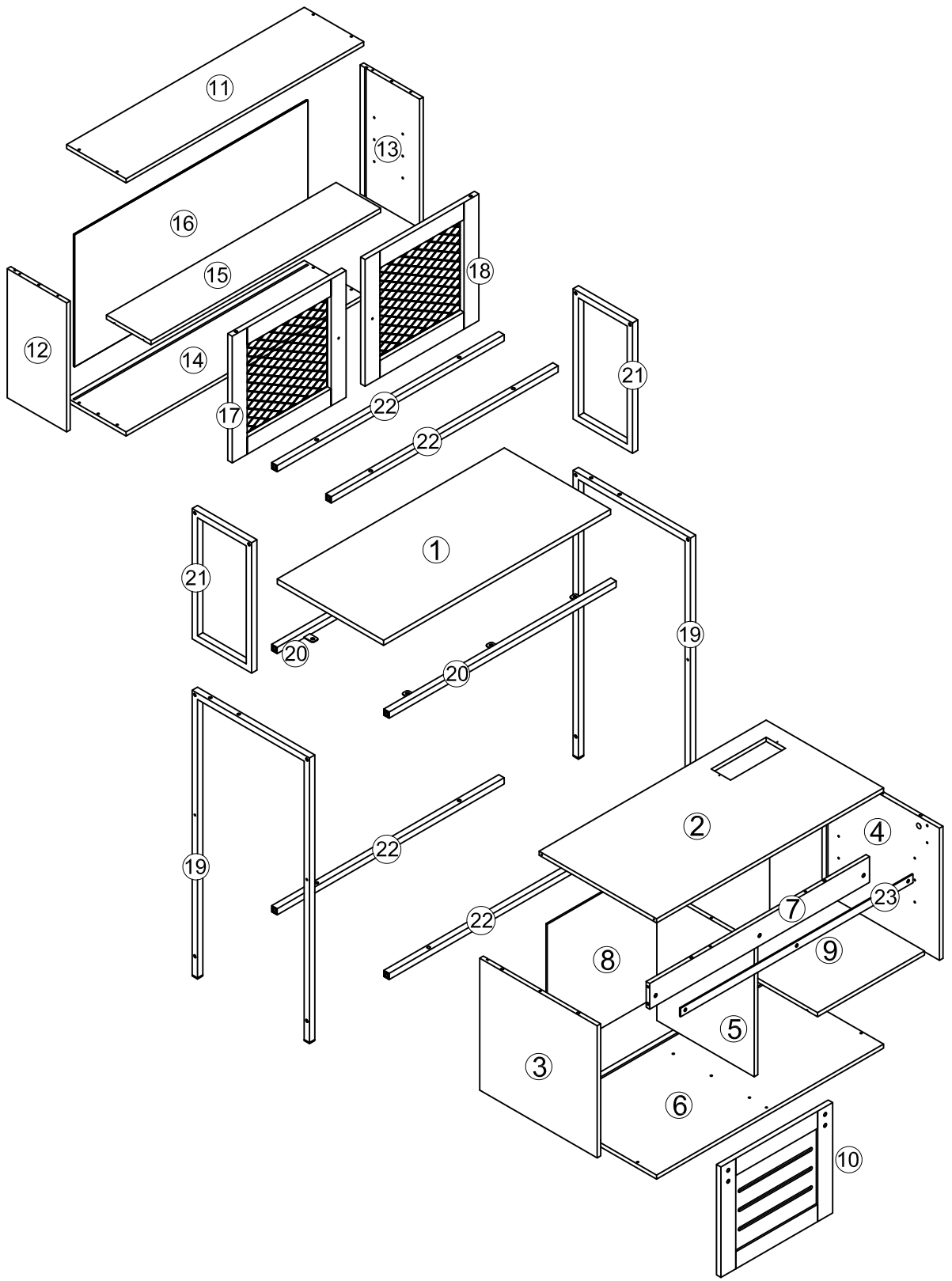
Helpful Hints

1. We recommend two people to assemble the product easier and faster.
2. Please DO NOT tighten the screws deeply during assembling avoiding that metal frame can be bent and plank will crack.
3. We recommend that all screws should not be tightened over during assembling to make it easy to adjust. When it is adjusted to proper station all screws should be tightened.
4. Caution: If using a power drill or power screwdriver for screwing, please be aware of to slow down and stop when screw is tight. Failure to do so may result in stripping the screw.

Customer Service

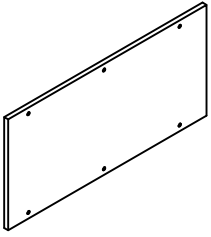
As this item contains many parts, please read the installation instruction carefully before installation and complete the installation with the cooperation of your partner. Please use tools properly and carefully. If you have any questions about the product and installation, please contact us freely.

Exploded Drawing

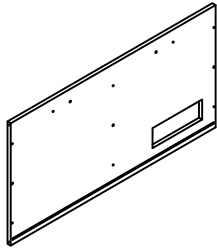


Parts

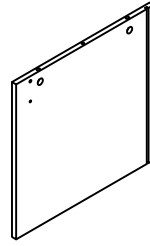
① 1PC



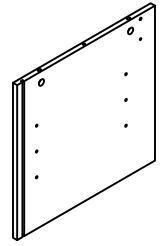
② 1PC



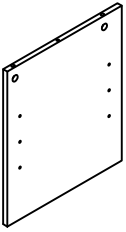
③ 1PC



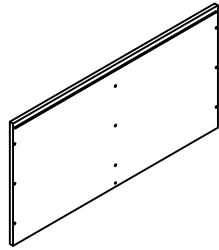
④ 1PC



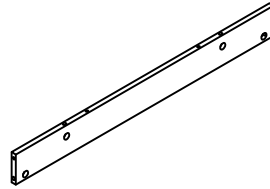
⑤ 1PC



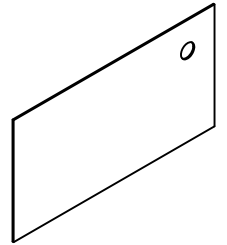
⑥ 1PC



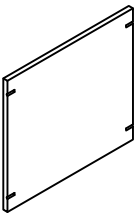
⑦ 1PC



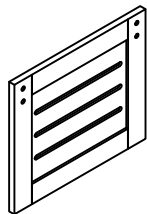
⑧ 1PC



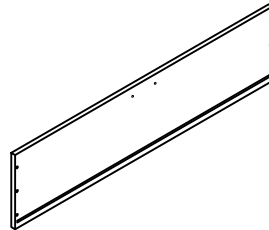
⑨ 1PC



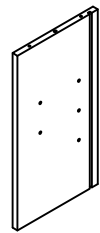
⑩ 1PC



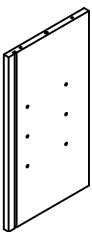
⑪ 1PC



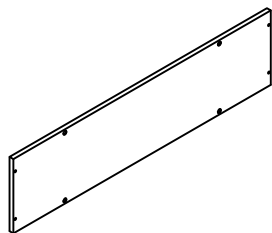
⑫ 1PC



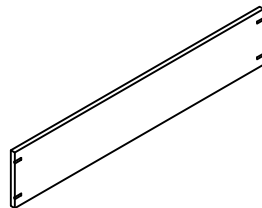
⑬ 1PC



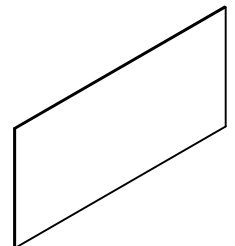
⑭ 1PC



⑮ 1PC

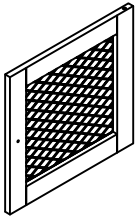


⑯ 1PC

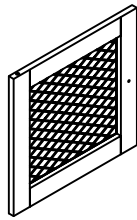


Parts

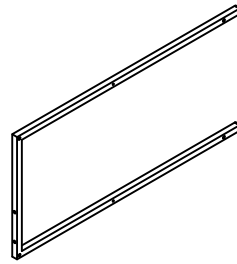
17 1PC



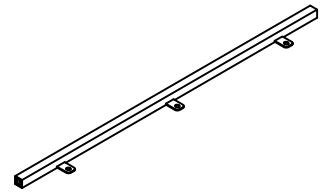
18 1PC



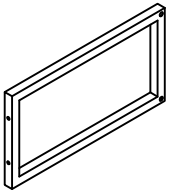
19 2PCS



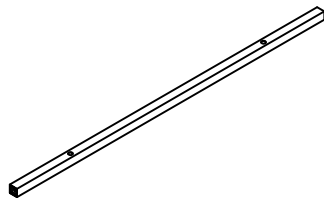
20 2PCS



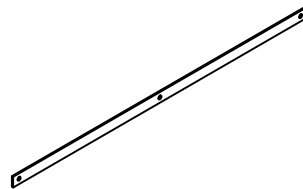
21 1PC





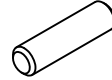

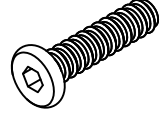
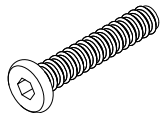
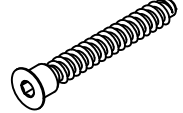
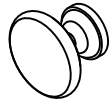
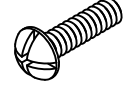
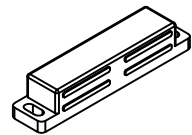
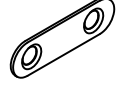

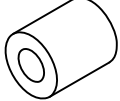
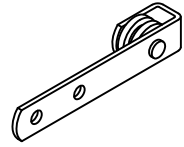

22 1PC



23 1PC

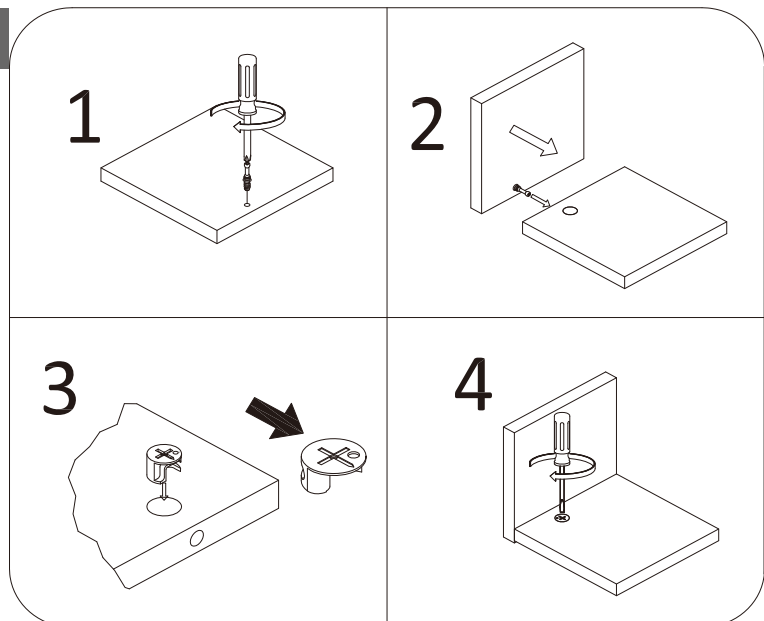
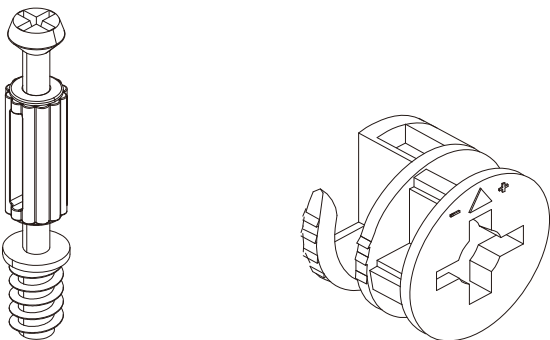


Parts


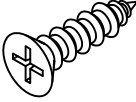
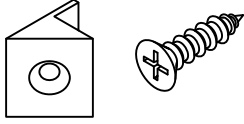
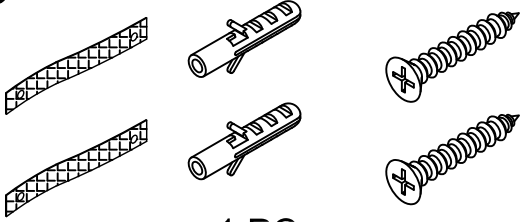
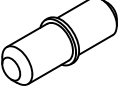
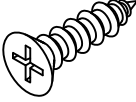
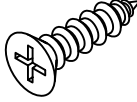
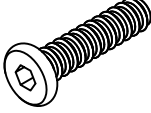

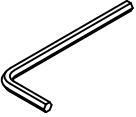
A M6x35mm  10 PCS	B Ø15x10mm  10 PCS	C Ø6x30mm  11 PCS	D M6x12mm  10 PCS	E M6x25mm  12 PCS
F M6x40mm  12 PCS	G M5x40mm  18 PCS	H  2 PCS	I M4x18mm  2 PCS	J  1 PC
K  2 PCS	L  4 PCS	M  3 PCS	N  2 PCS	O  4 PCS

Cam Lock Fastening System

This Cam Lock Fastening System will be used throughout the assembly process

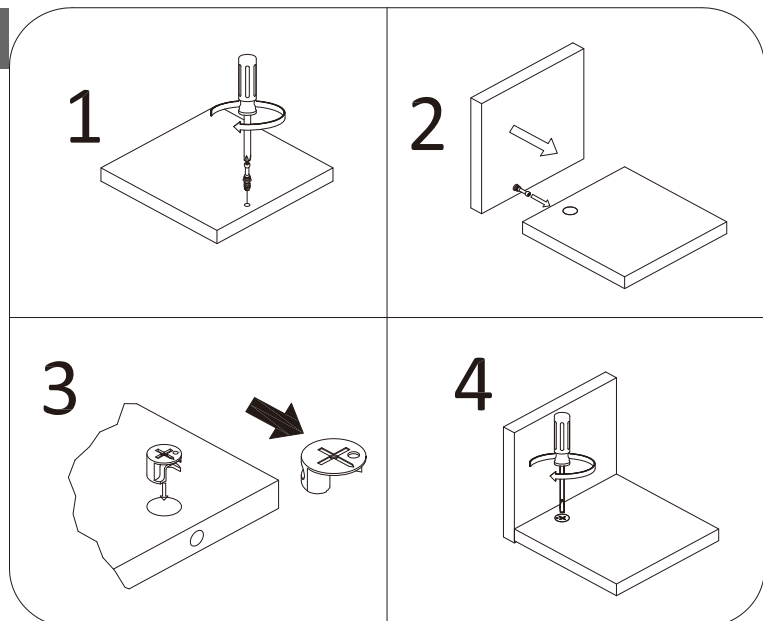
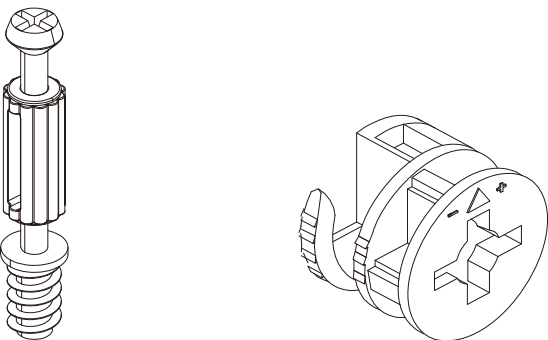


Parts

<p>P</p>  <p>1 PC</p>	<p>Q M3x10mm</p>  <p>2 PCS</p>	<p>R M3.5x14mm</p>  <p>8 PCS</p>	<p>S M4x35mm</p>  <p>1 PC</p>	
<p>T</p>  <p>9 PCS</p>	<p>U M3.5x14mm</p>  <p>2 PCS</p>	<p>V M3.5x12mm</p>  <p>4 PCS</p>	<p>W M6x22mm</p>  <p>3 PCS</p>	<p>X M4</p>  <p>1 PC</p>
<p>Y M3</p>  <p>1 PC</p>				

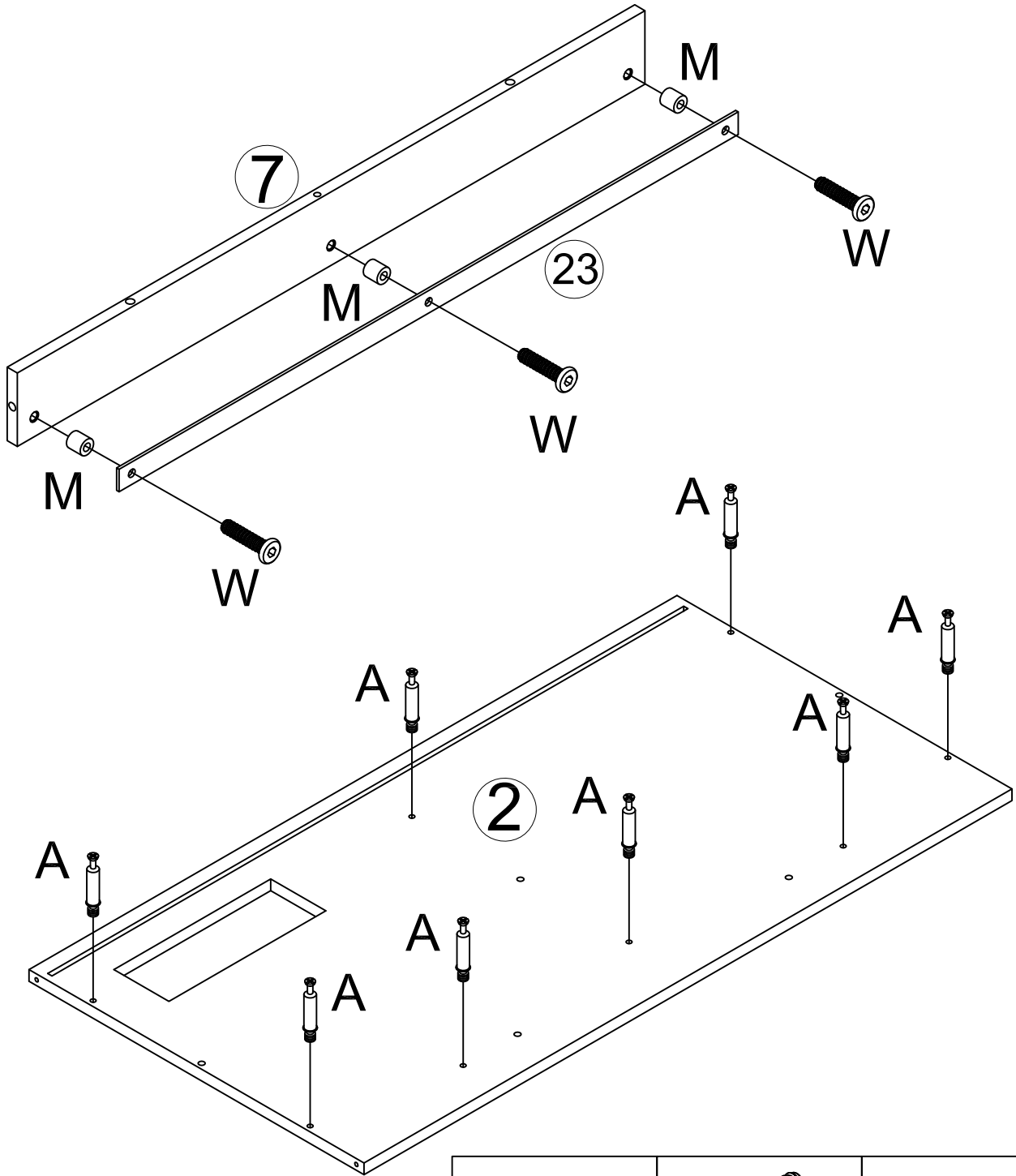
Cam Lock Fastening System

This Cam Lock Fastening System will be used throughout the assembly process



Assembly Instructions

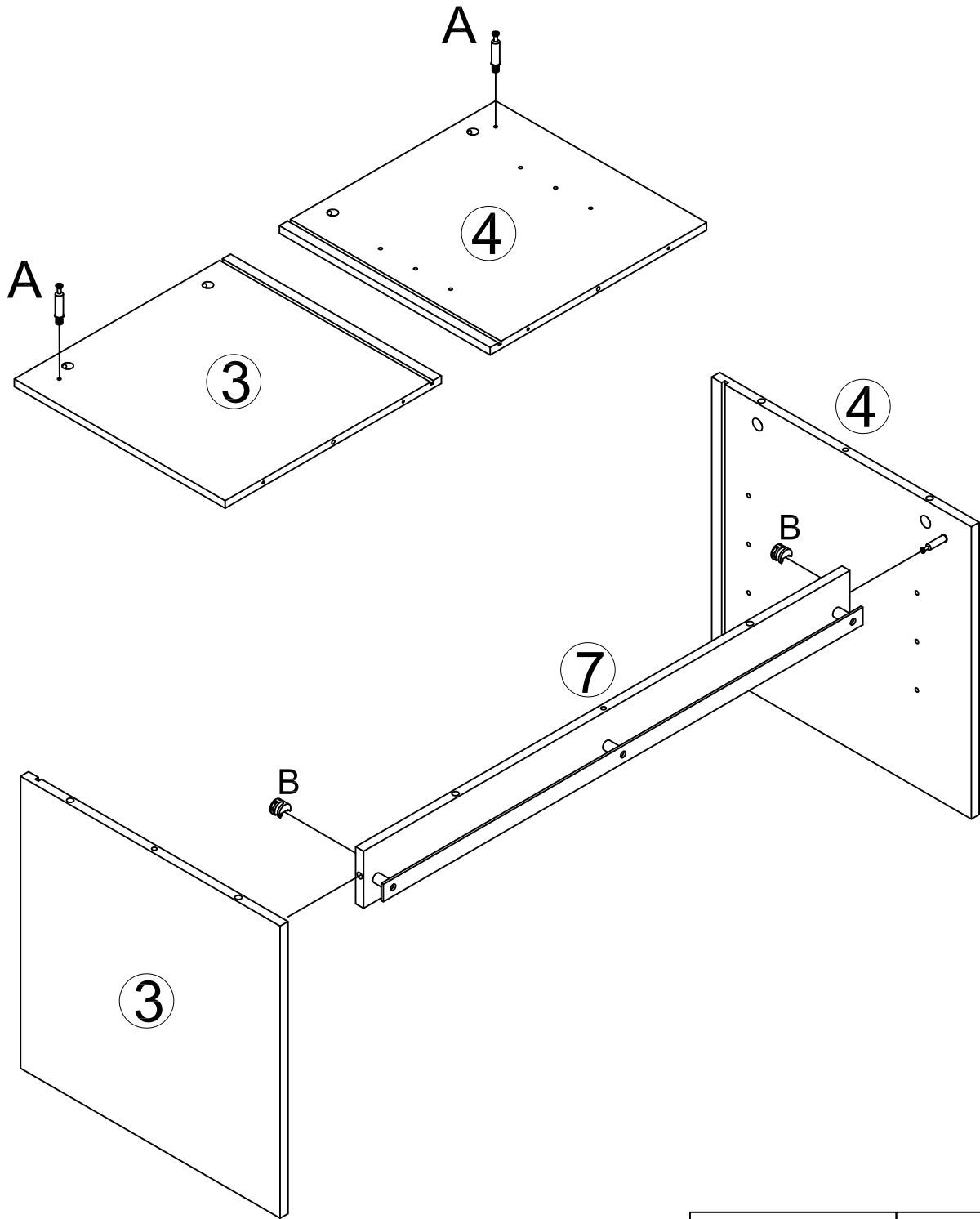
1

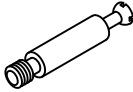



A	X 8	M6x22mm	W	X 3	M	X 3

Assembly Instructions

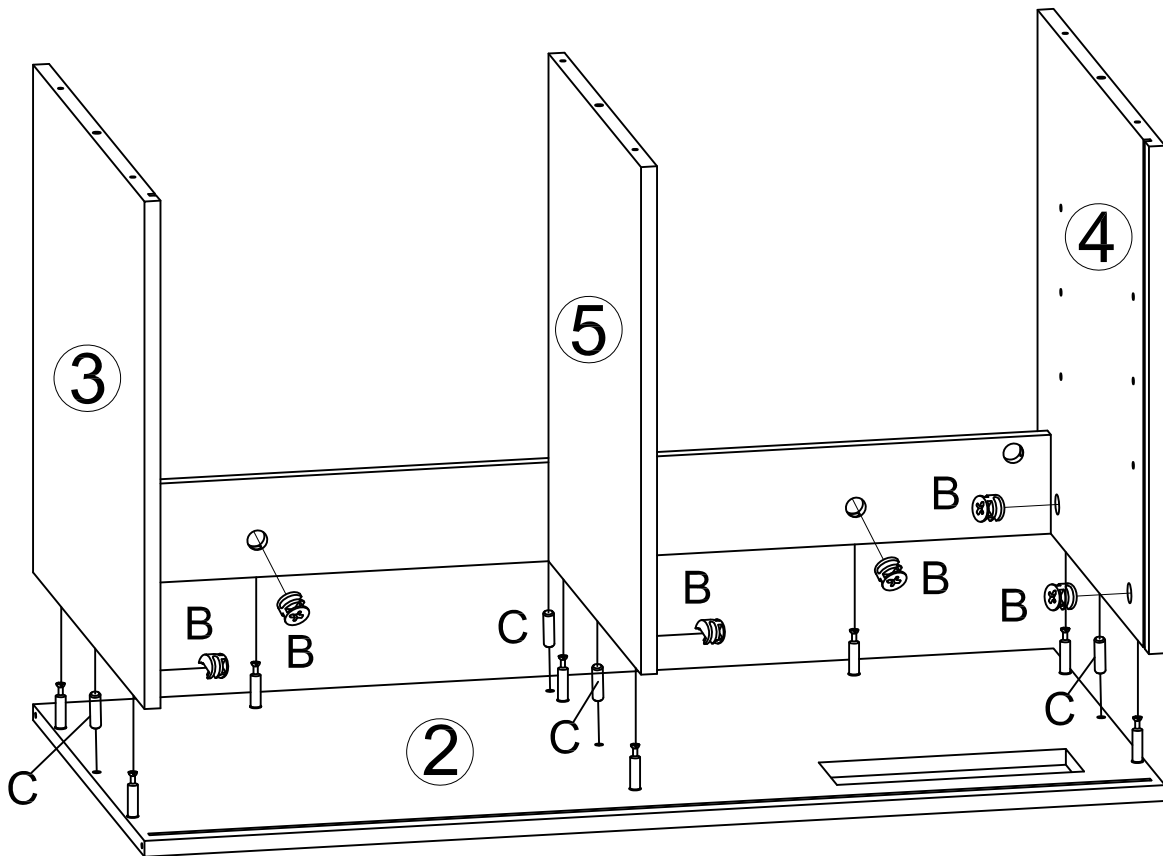
2


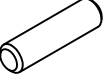


			
A	X 2	B	X 2

Assembly Instructions

3

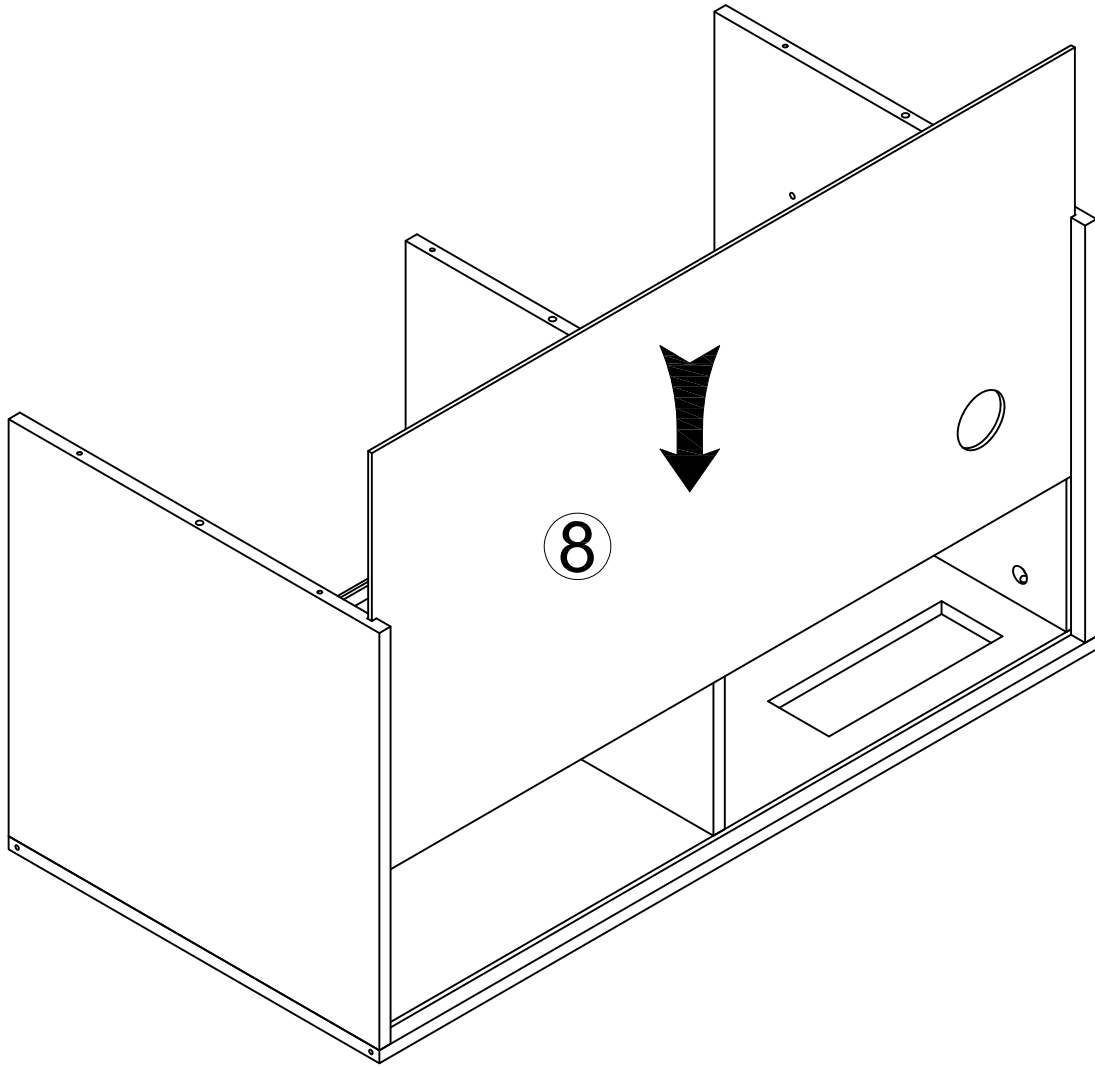


	
B	X 8
C	X 4

Ø6x30mm

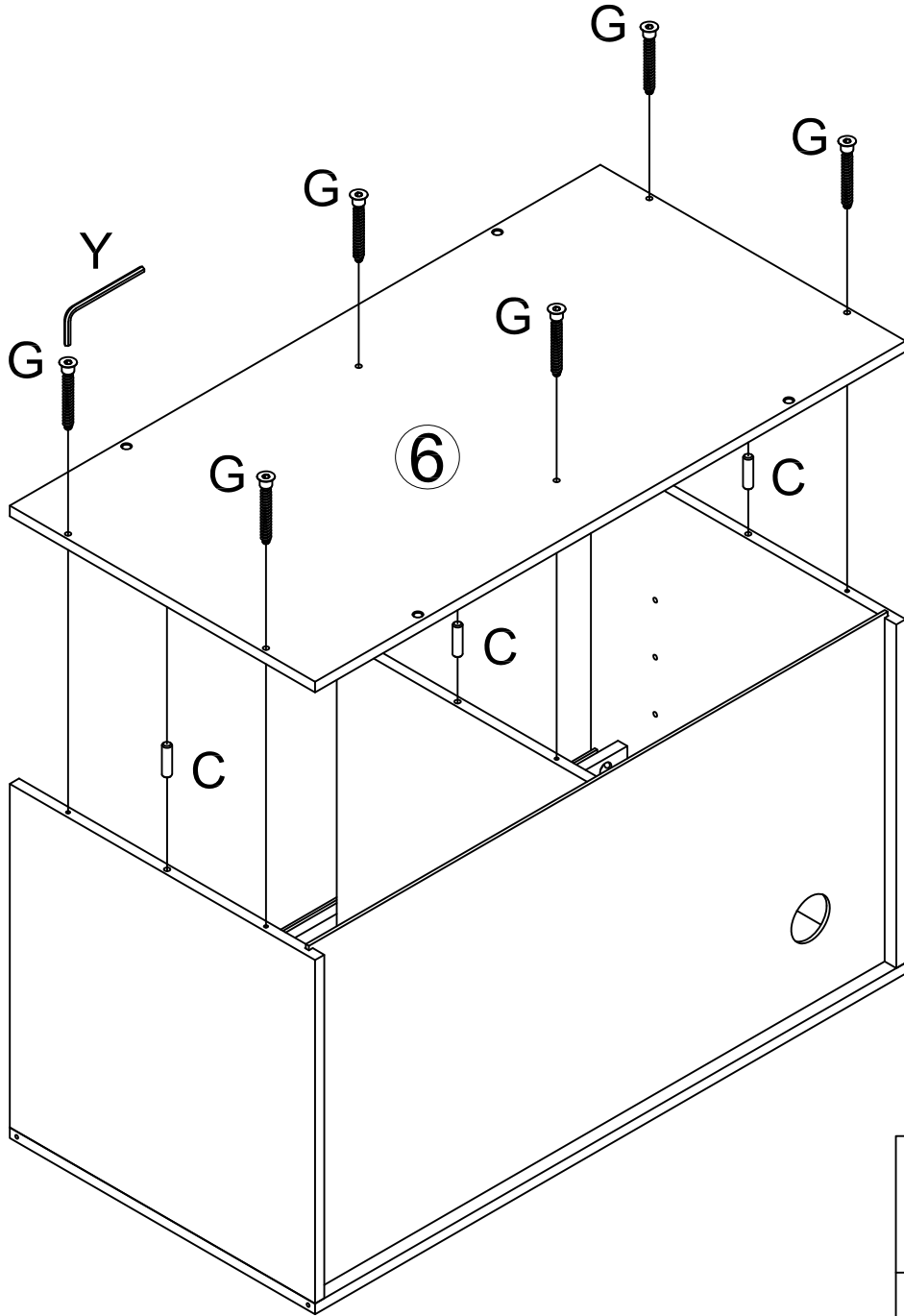
Assembly Instructions

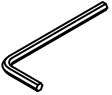
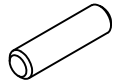
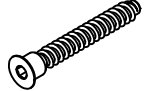
4



Assembly Instructions

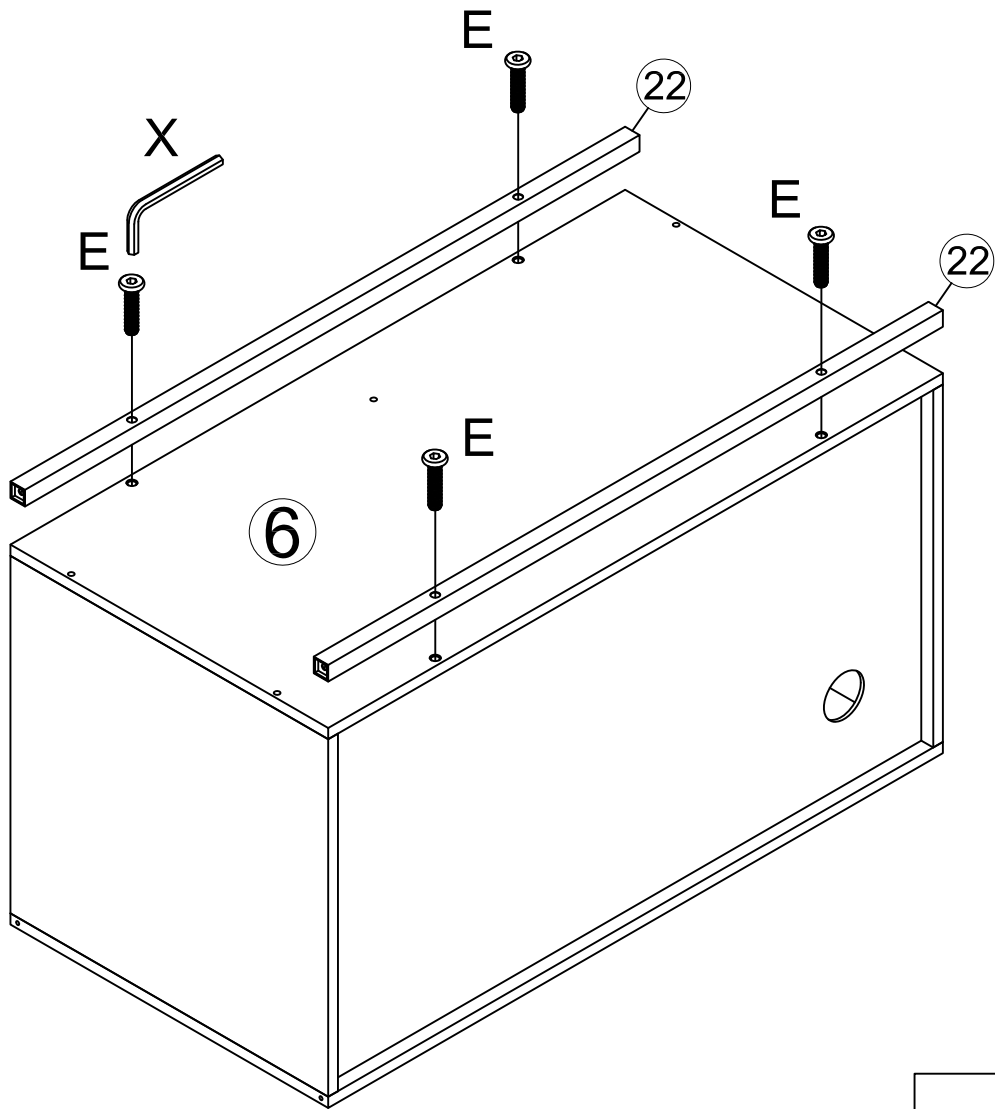
5



	
Y	X 1
	
Ø6x30mm	
C	X 3
	
M5x40mm	
G	X 6

Assembly Instructions

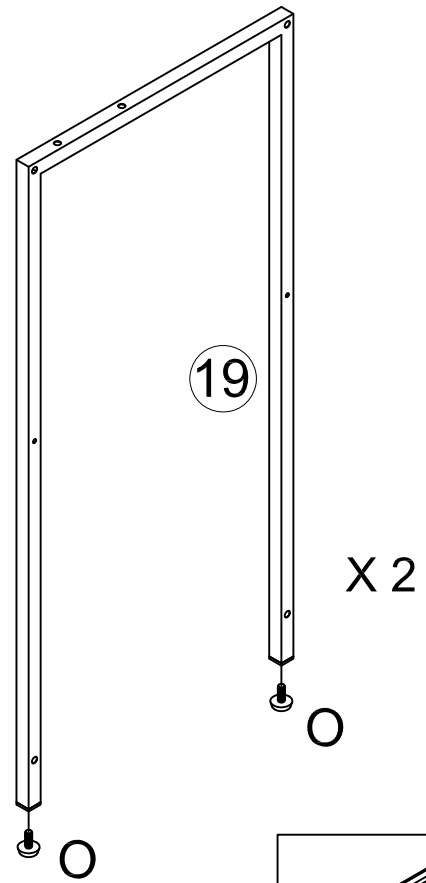
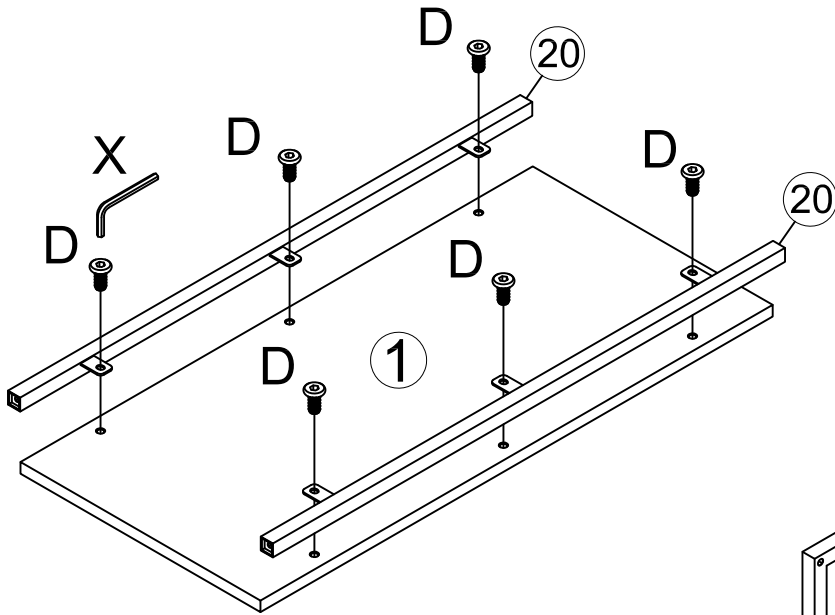
6



X	X 1
M6x25mm	
E	X 4

Assembly Instructions

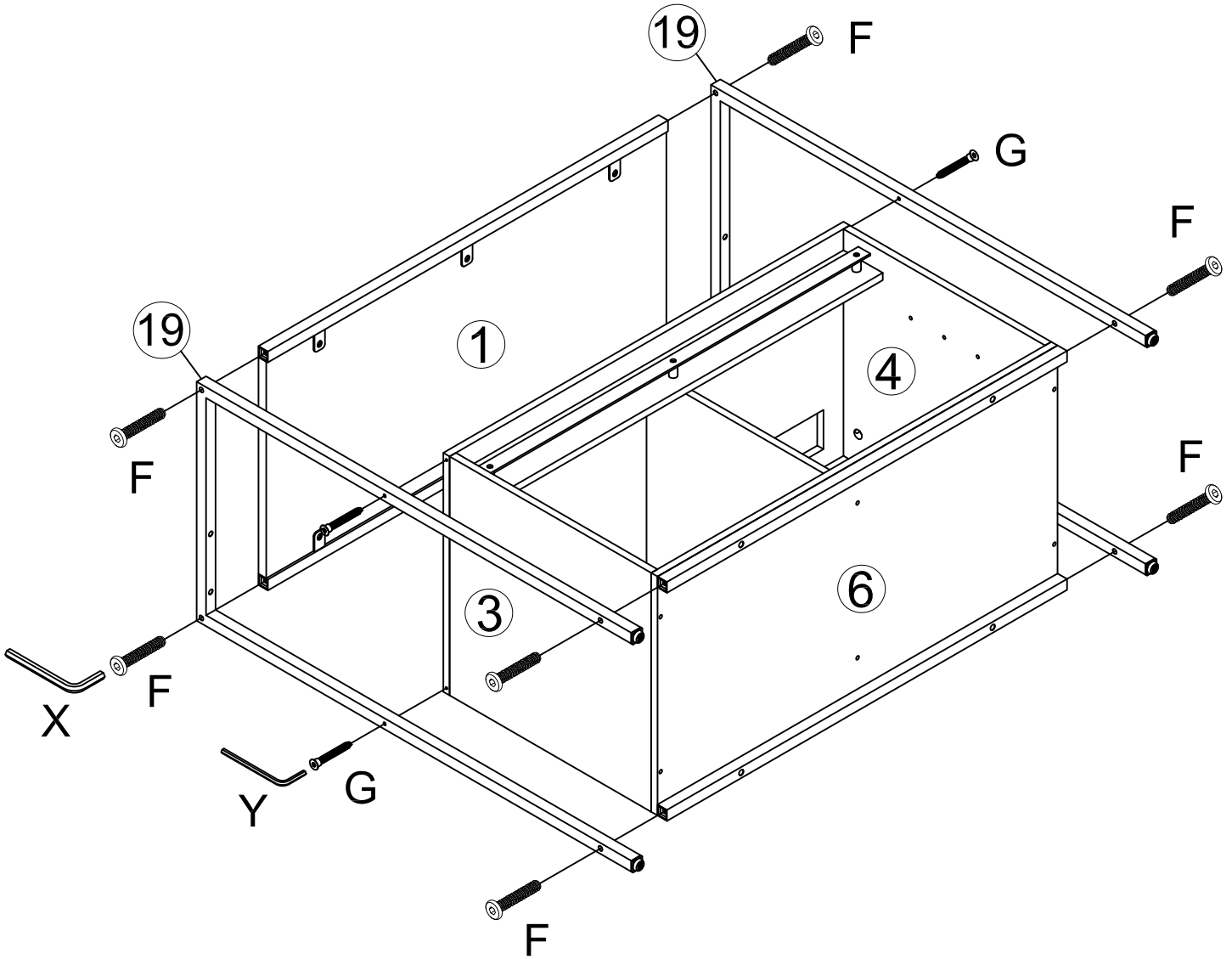
7



D	X 6	O	X 4

Assembly Instructions

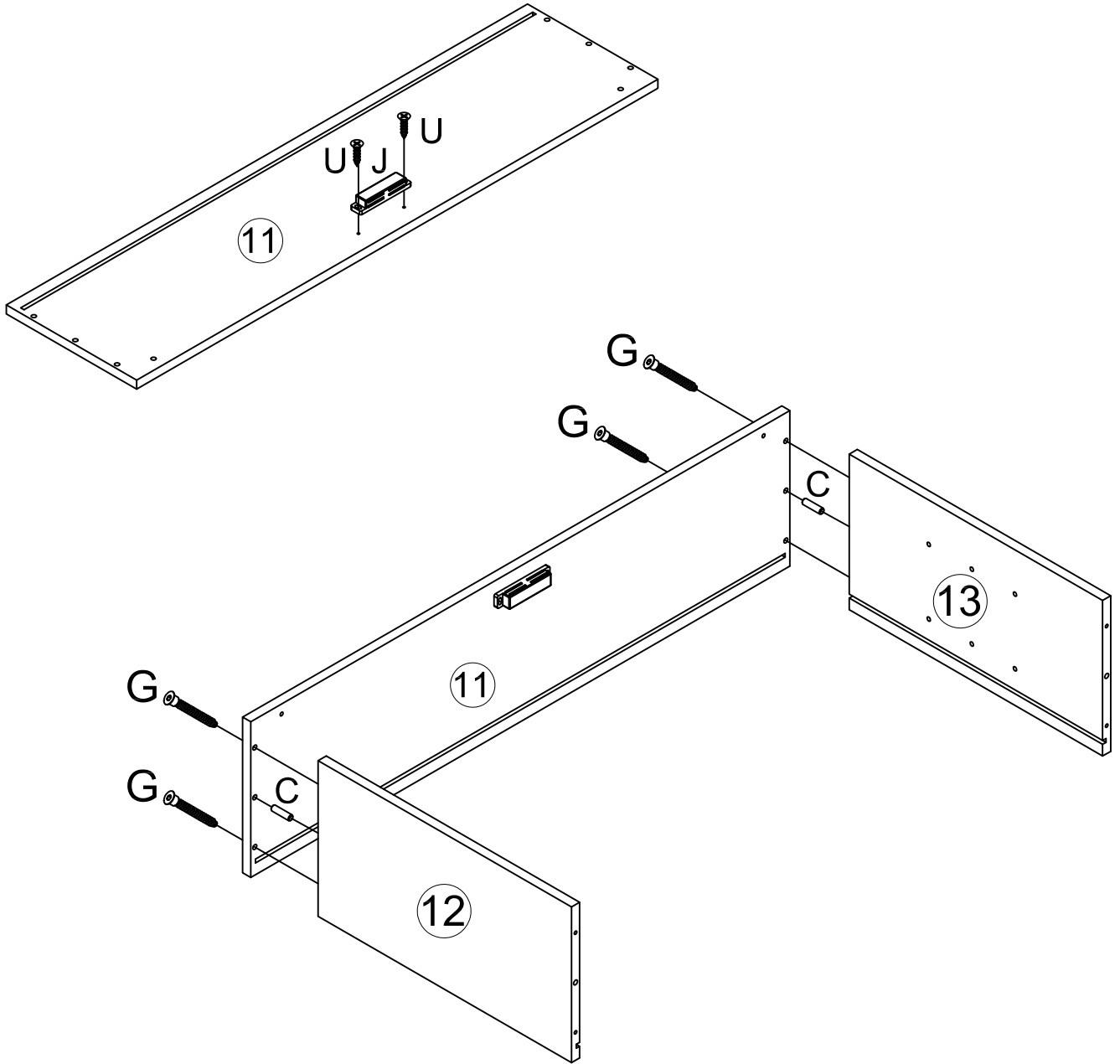
8

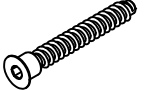
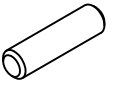
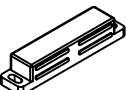
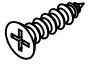


X	X 1	Y	X 1
M6x40mm		M5x40mm	
F	X 8	G	X 4

Assembly Instructions

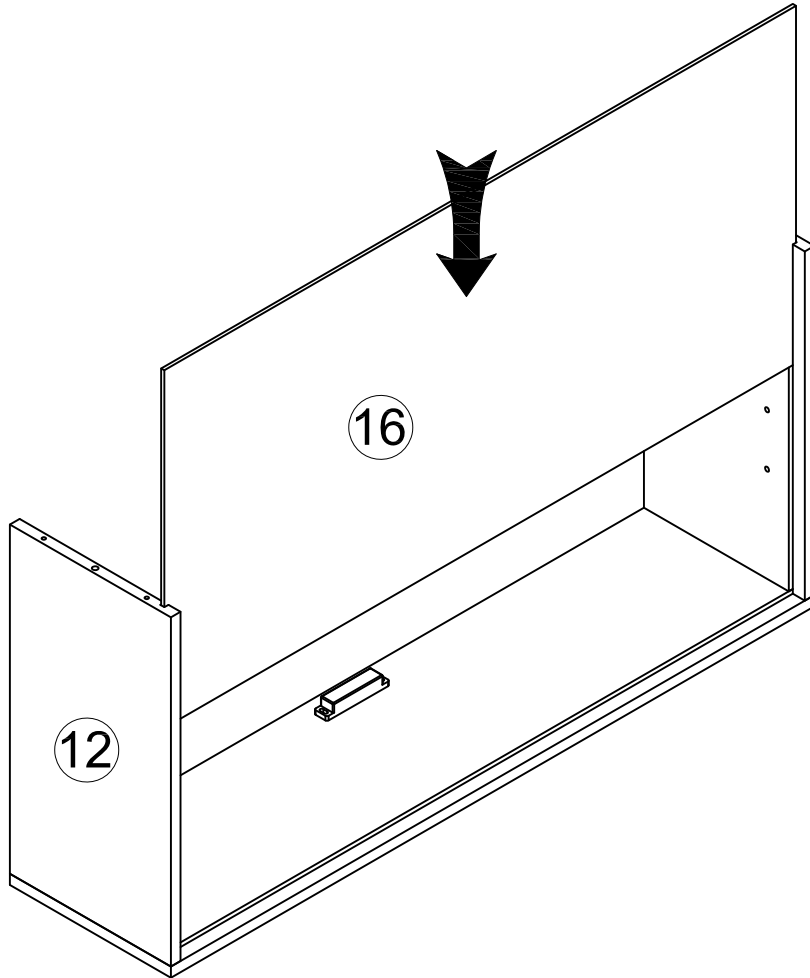
9



			
M5x40mm	Ø6x30mm		Ø3.5x14mm
G	X 4	C	X 2
		J	X 1
		U	X 2

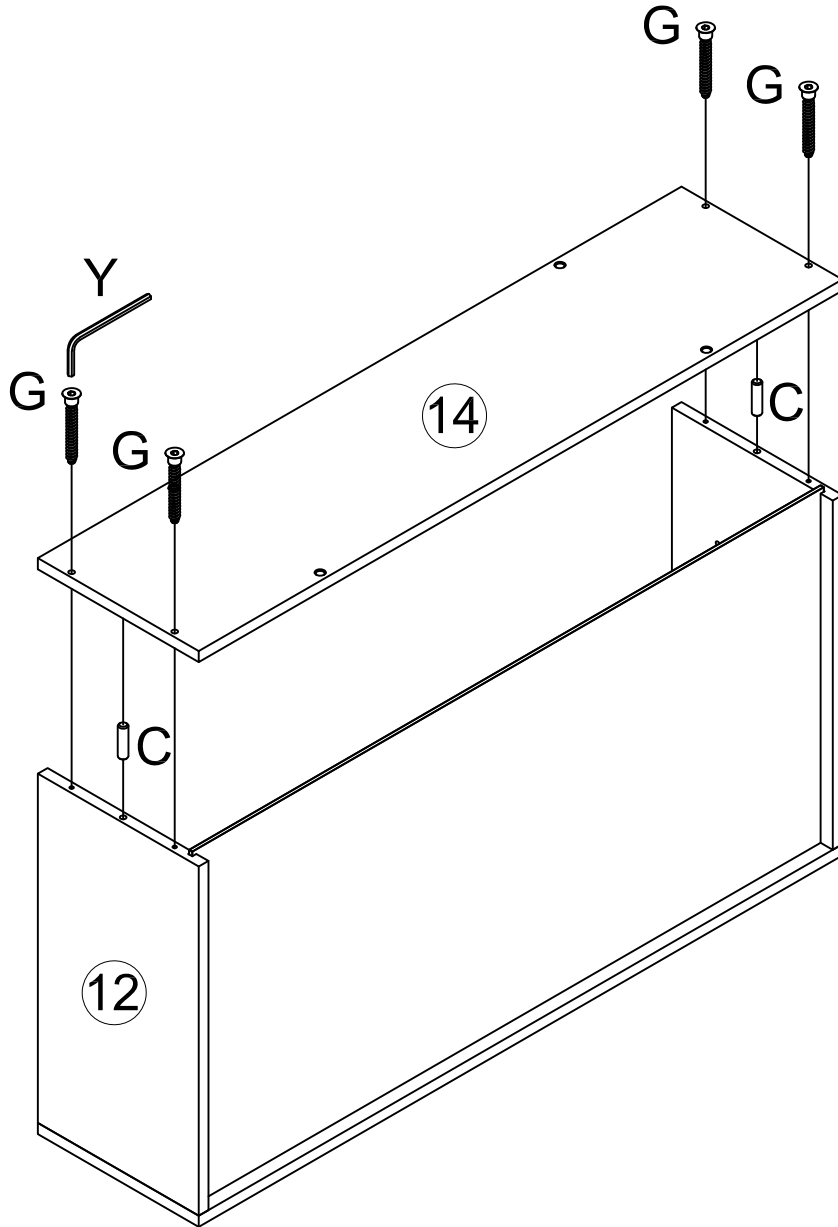
Assembly Instructions

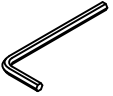
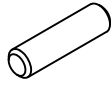
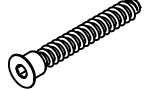
10



Assembly Instructions

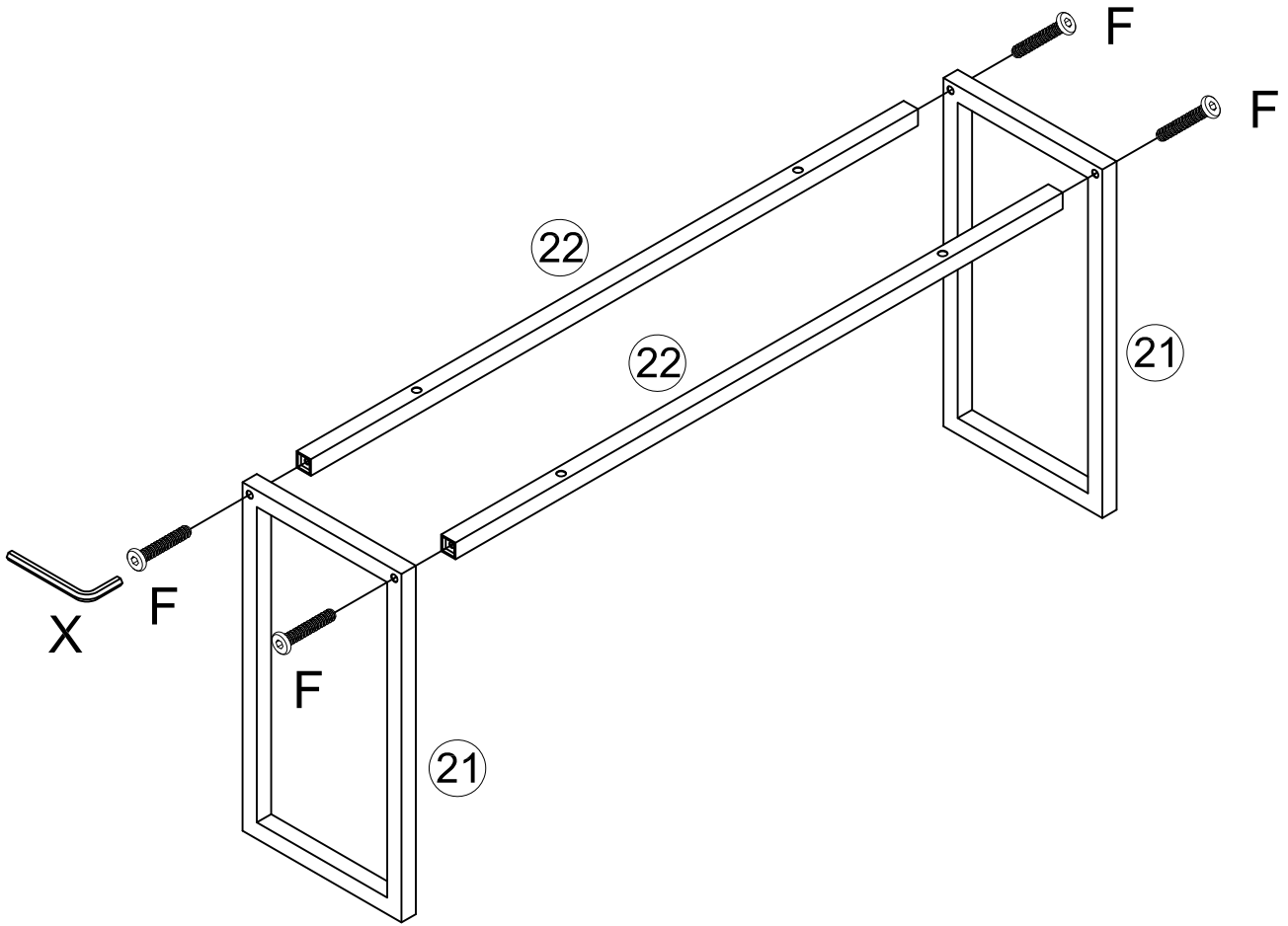
11



	
Y	X 1
	
Ø6x30mm	M5x40mm
C	X 2
G	X 4

Assembly Instructions

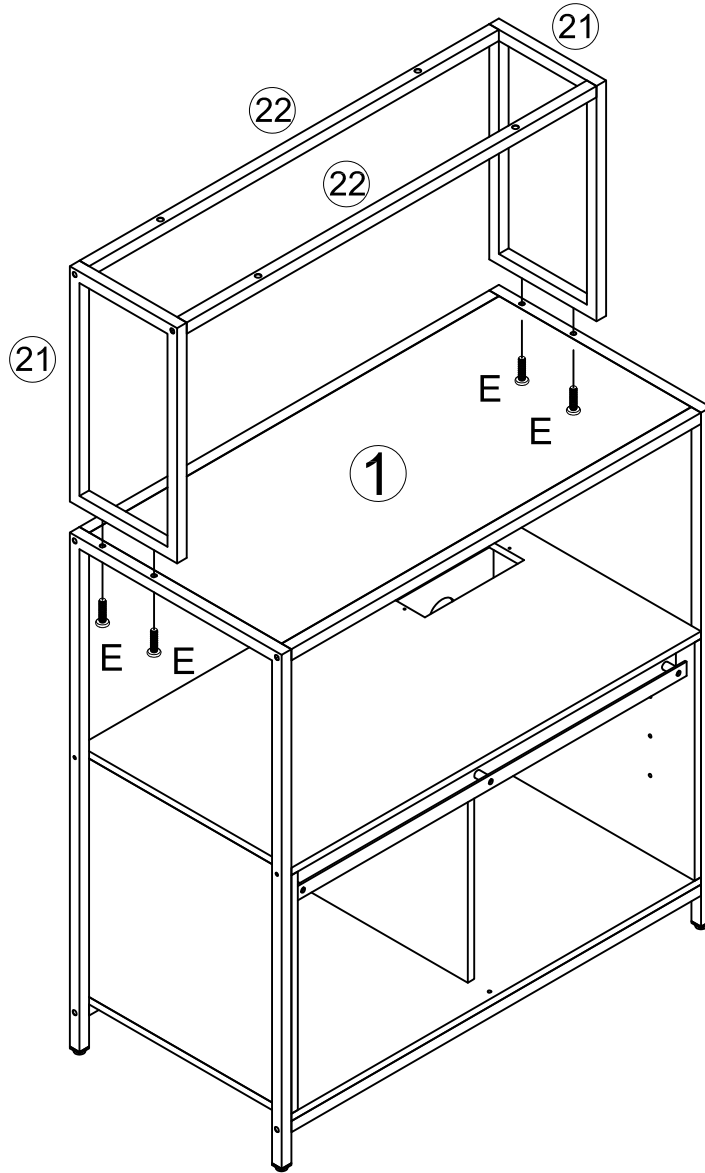
12

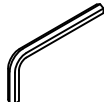
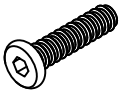


X	X 1
F	X 4

Assembly Instructions

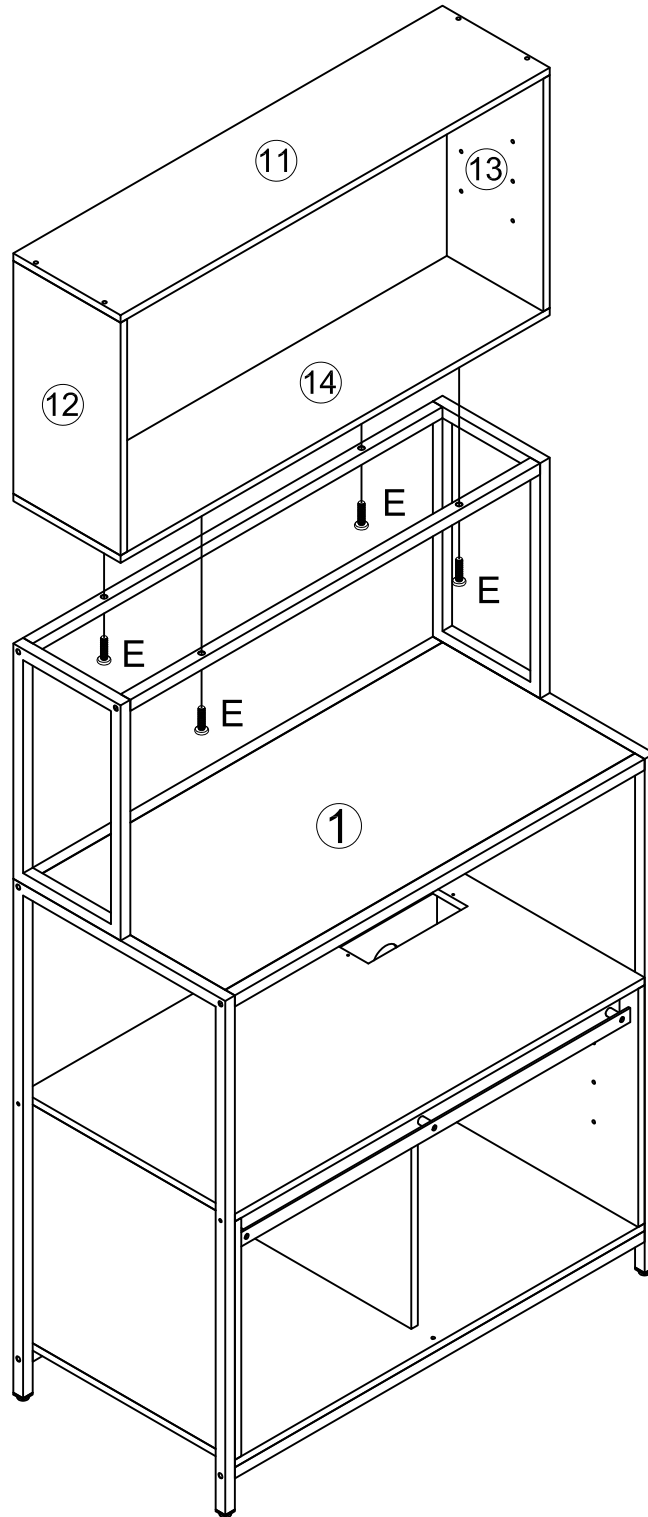
13

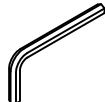



	
X	X 1
	
M6x25mm	
E	X 4

Assembly Instructions

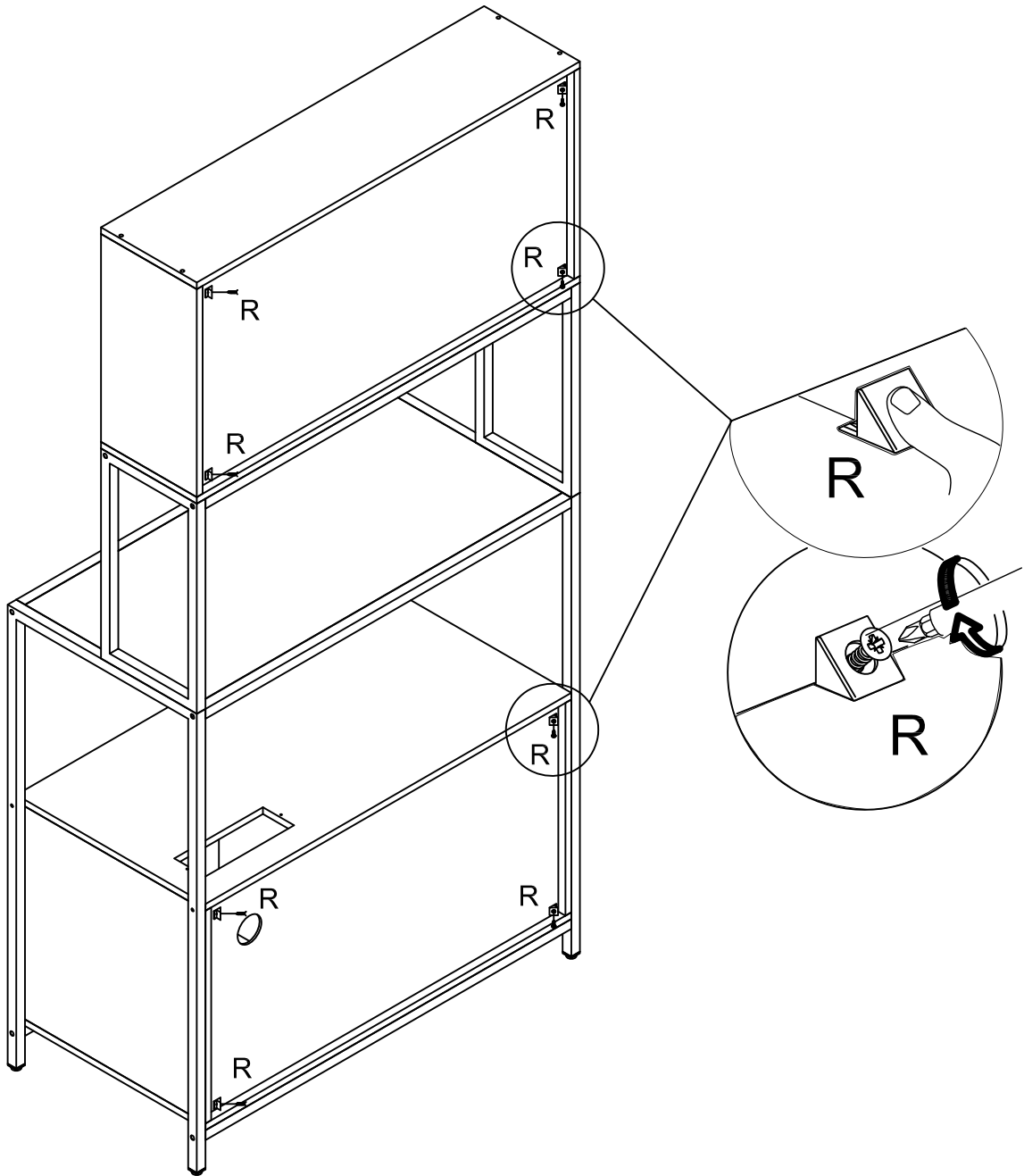
14


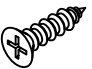


	
X	X 1
	
M6x25mm	
E	X 4

Assembly Instructions

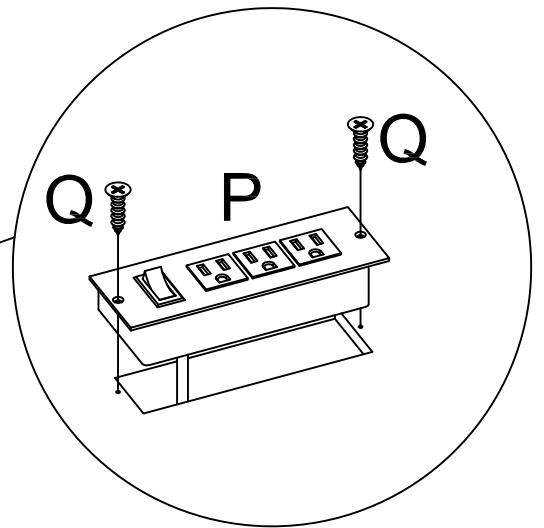
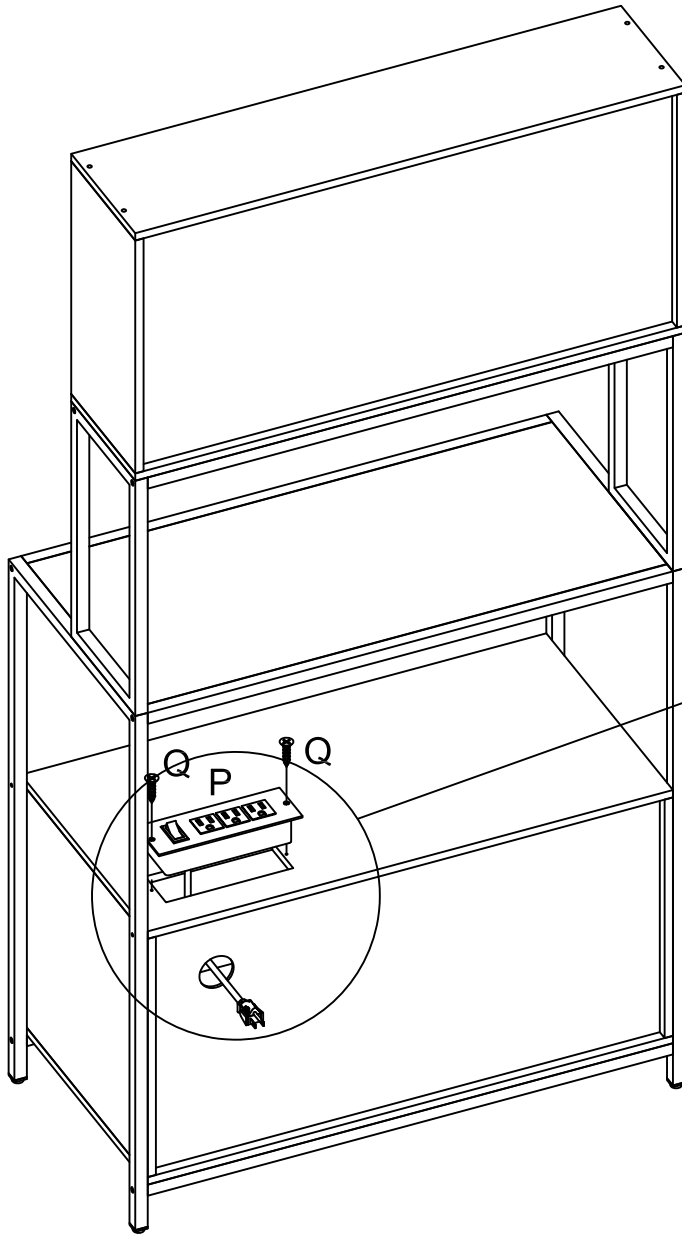
15


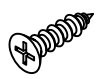


	
R	X 8

Assembly Instructions

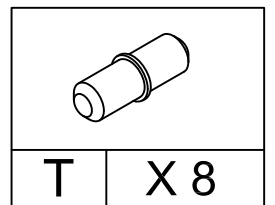
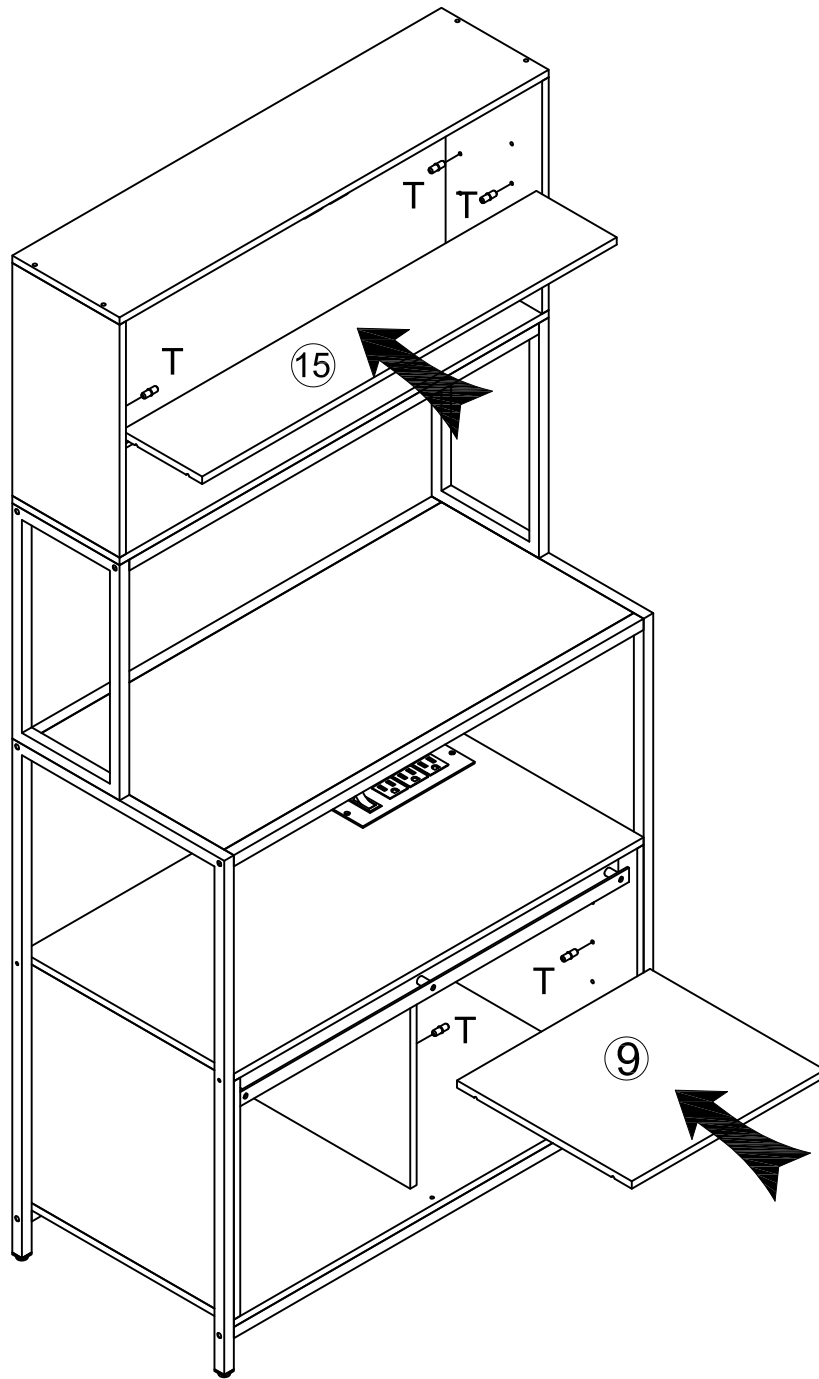
16



			
P	X 1	Q	X 2

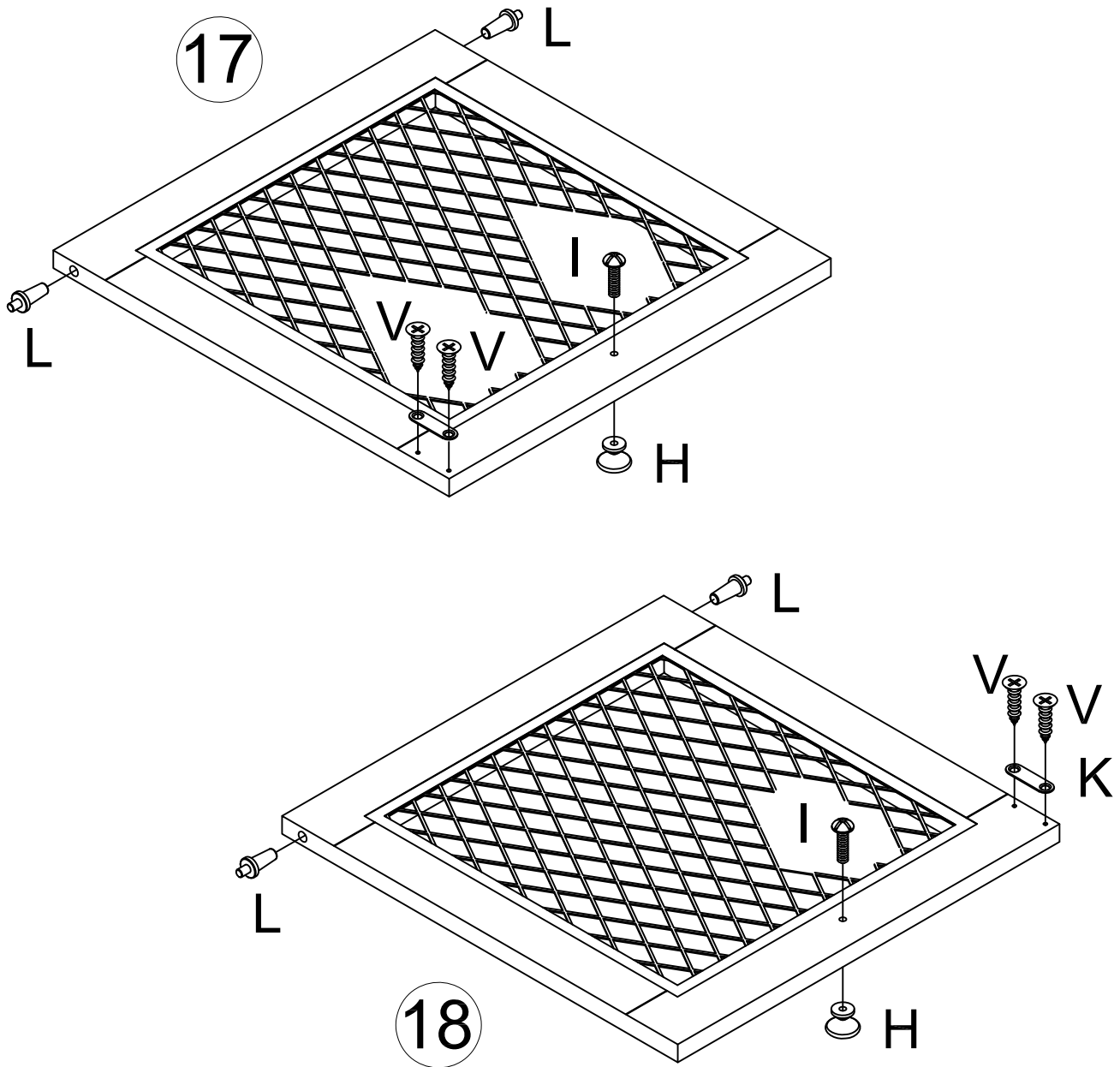
Assembly Instructions

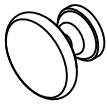
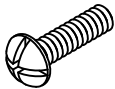
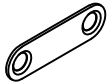


17



Assembly Instructions

18

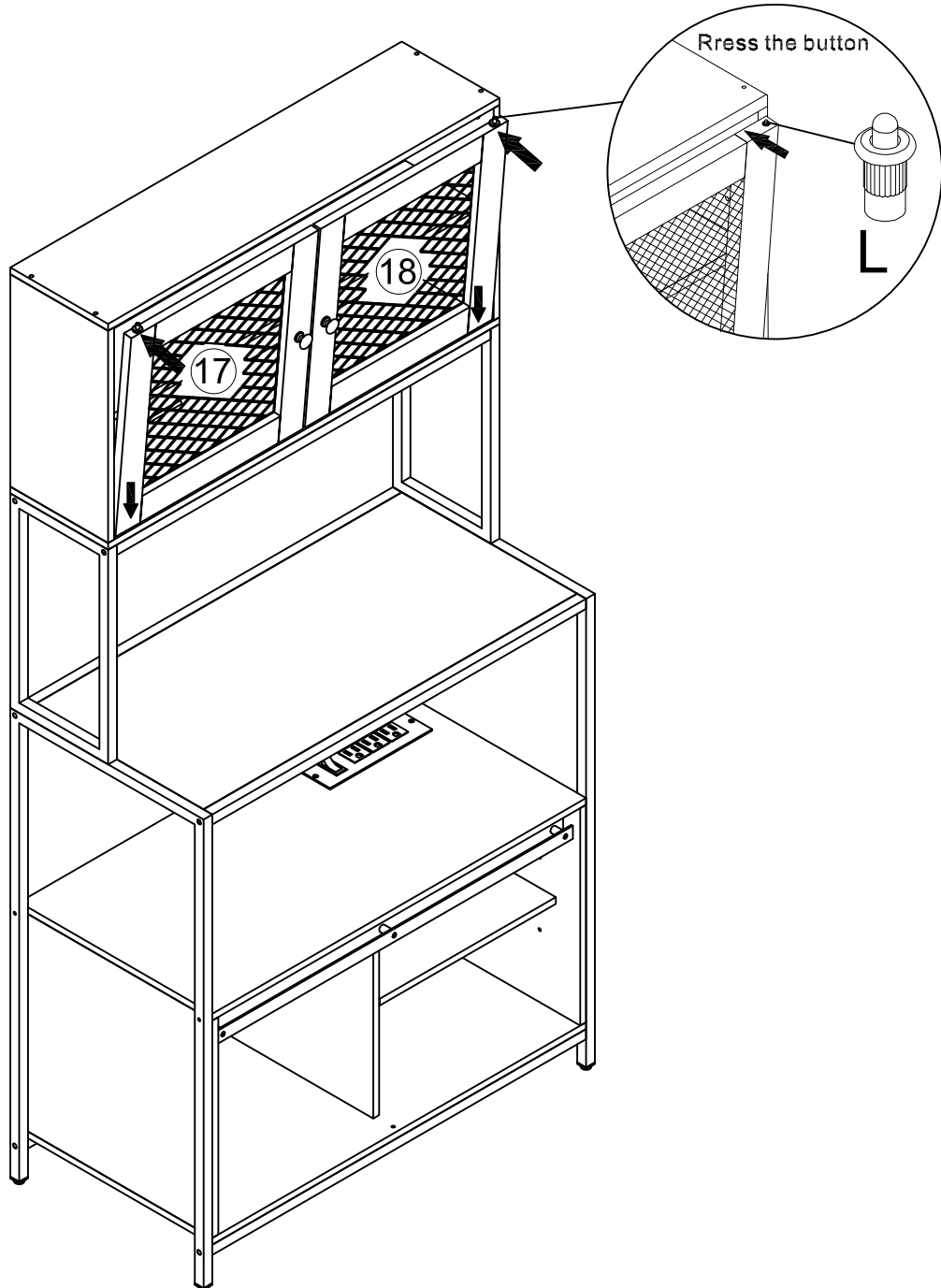


				
H	X 2	I	X 2	K
				V
				X 4

Ø3.5x12mm

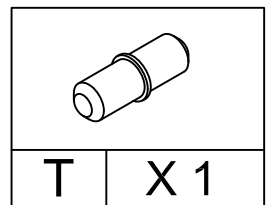
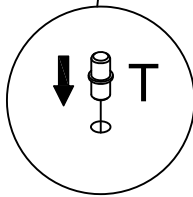
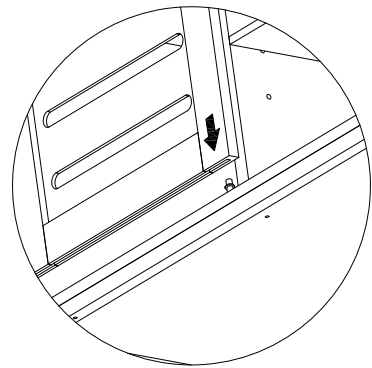
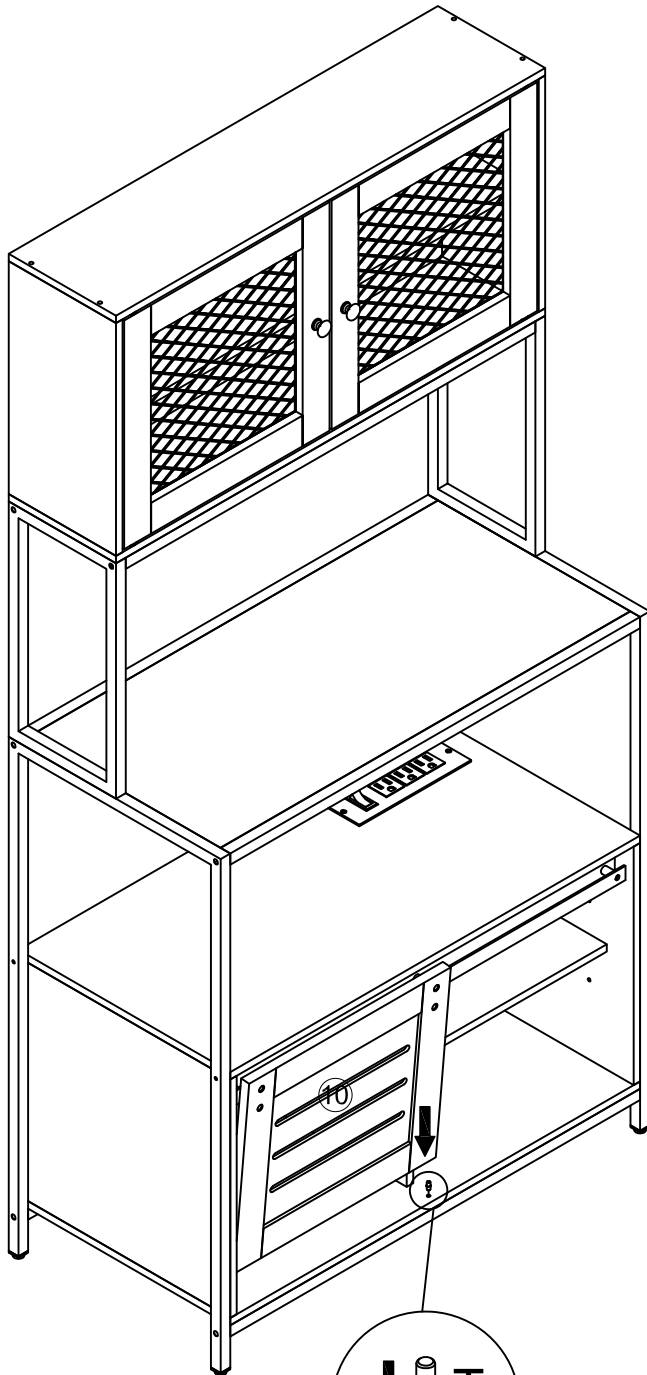
Assembly Instructions

19



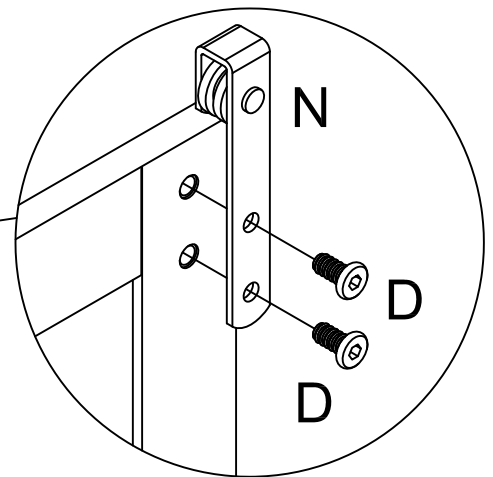
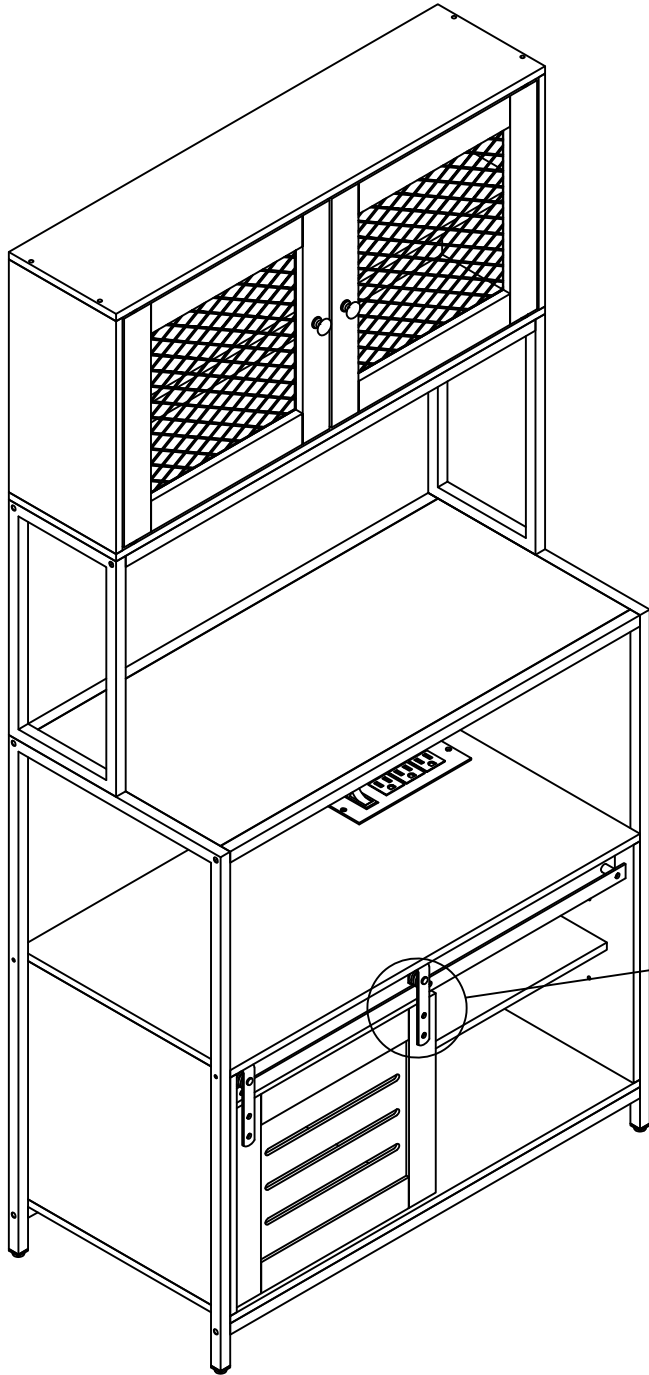
Assembly Instructions


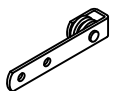
20



Assembly Instructions

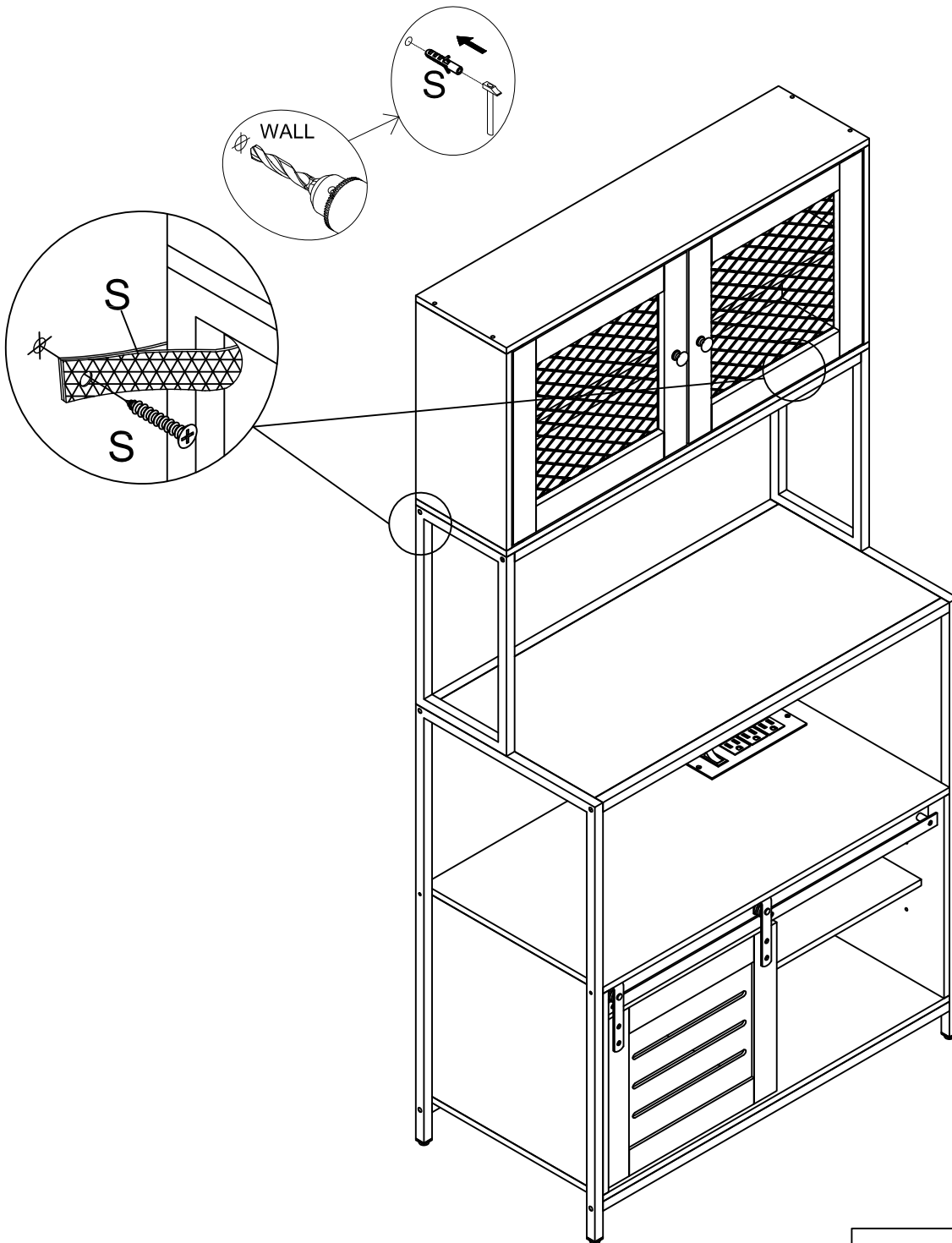
21

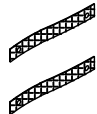
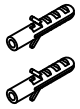



			
M6x12mm			
D	X 4	N	X 2

Assembly Instructions

22



		
S		X 1