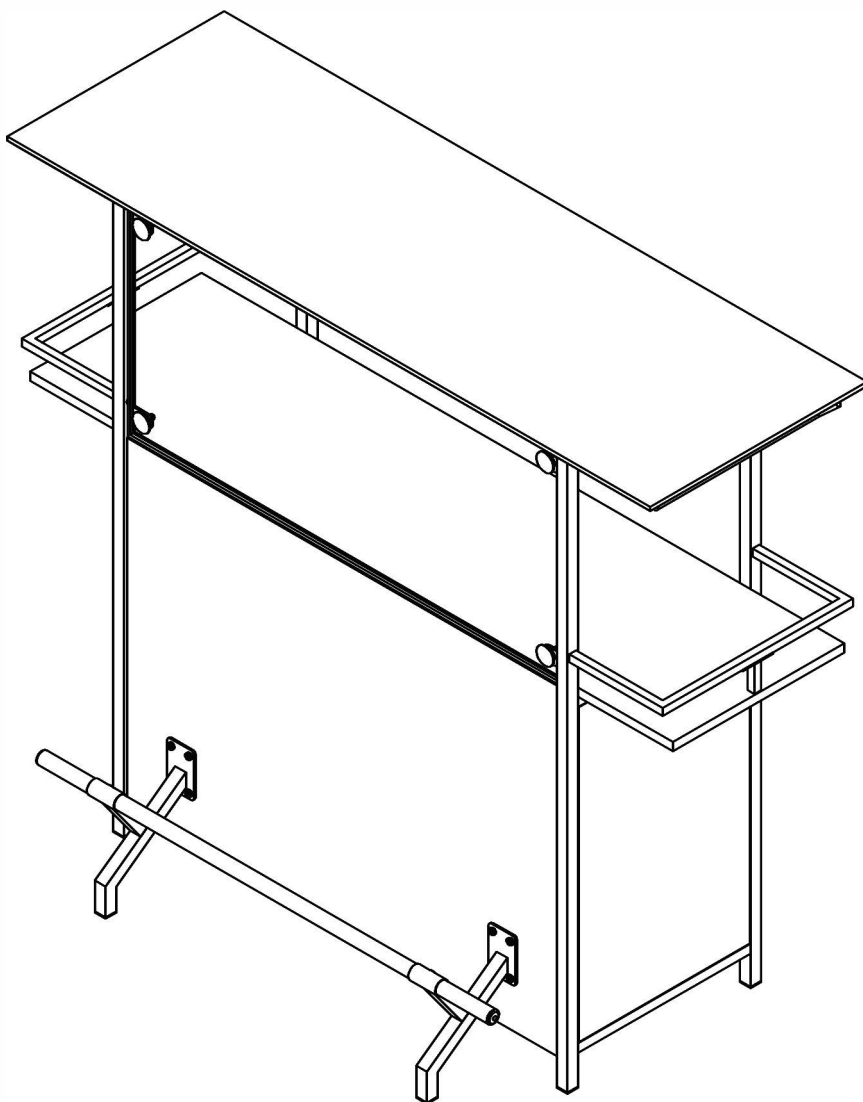


# ASSEMBLY INSTRUCTIONS



## TOOLS REQUIRED



Allen Wrench

(Included)



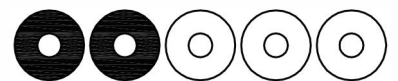
Phillips  
Screwdriver

(Not Included)



**2 - People  
Recommended**

## ASSEMBLY RATING



EASY —————> DIFFICULT

The Assembly Rating is a 5-point system showing the level of effort needed to assemble a specific product.



## **CHECK BEFORE STARTING**

### **Are you missing anything?**

Double-check all parts, hardware and accessories listed on Page 6 are accounted for.

### **Check out our Quick Tips!**

We recommend reviewing the pre-assembly handouts. Even experts need a refresher now and then!

### **Should we send any replacements?**

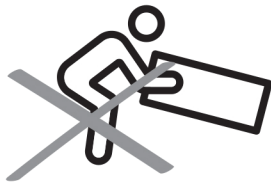
Are there any irregularities or flaws in the parts? We can send replacements!

### **Prep Time!**

Please review the assembly instructions and all diagrams prior to assembling. Arrange parts as recommended on Page 7 and group identical hardware together to make assembling easier.

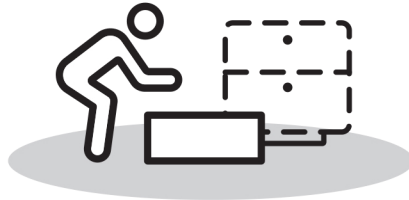
# PRE ASSEMBLY INTRODUCTION

We understand building ready-to-assemble furniture can be a challenging experience for some. To help avoid confusion, we have provided some helpful tips that may speed up the process.



## Teamwork

ALWAYS have at least two people to help with transporting and assembling the product to avoid potential injury and/or damage.



## Suitable Location

Assembling near the area of the intended location is highly recommended.



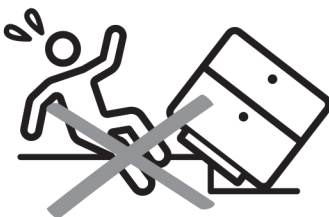
## Sufficient Space

Make sure you have enough space to move around during the assembly.



## Avoid Scratches

Use cardboard, blankets or a carpeted area while assembling furniture to prevent scratches.



## Flat Surface

Make sure the furniture rests on a flat and level surface with each leg evenly touching the floor.

# ASSEMBLY AND CARE ADVICE



**FAILURE TO FOLLOW THE GUIDELINES BELOW MAY RESULT IN INJURY AND/OR PROPERTY DAMAGE.**



Position each part correctly and insert screws or bolts into their respective holes.



Turn clockwise to tighten and only tighten when step is completed or when instructed to do so.



Use the appropriate hand tools or power tools for assembly. Select steps, such as tightening screws and/or bolts, may require hand tools to avoid causing damage during assembly.



Save the instructions and store any supplied tools for later maintenance.



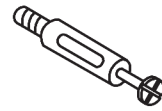
After two weeks, check and tighten any loose hardware and repeat again every six months thereafter.

**IT IS THE USER'S RESPONSIBILITY TO MAINTAIN THE FURNITURE. THE HARDWARE MAY LOOSEN OVER TIME AND MAY CAUSE THE FURNITURE TO BE WOBBLY AND UNABLE TO SUPPORT ITS INTENDED WEIGHT CAPACITY. THIS MAY LEAD TO COLLAPSE AND MAY CAUSE SERIOUS INJURY.**

# CAM LOCK FASTENER ASSEMBLY INSTRUCTIONS

## Note :

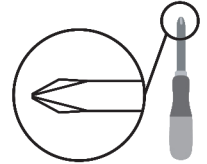
Every cam lock bolt must have a cam lock connector in order to fasten the parts together.



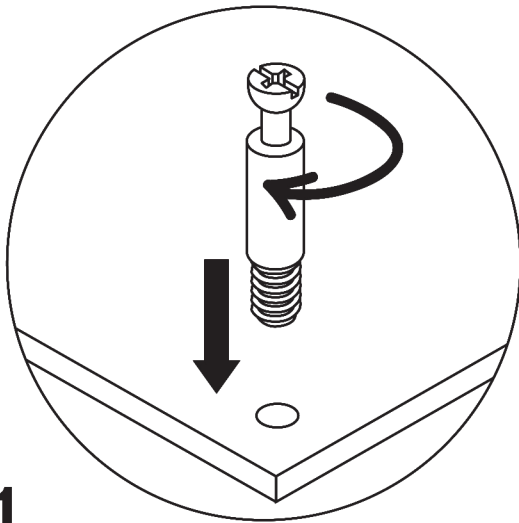
cam bolt



cam lock

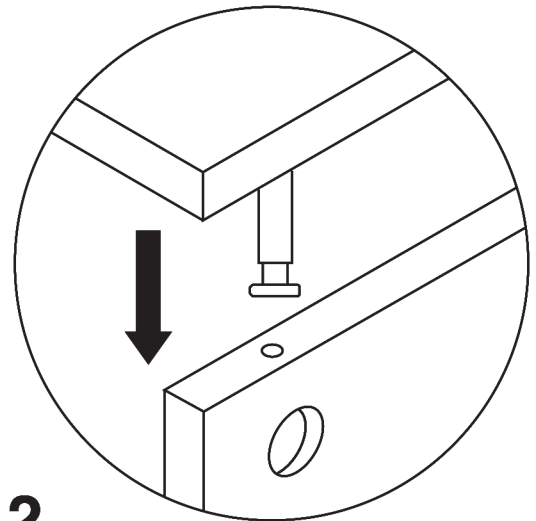


screwdriver



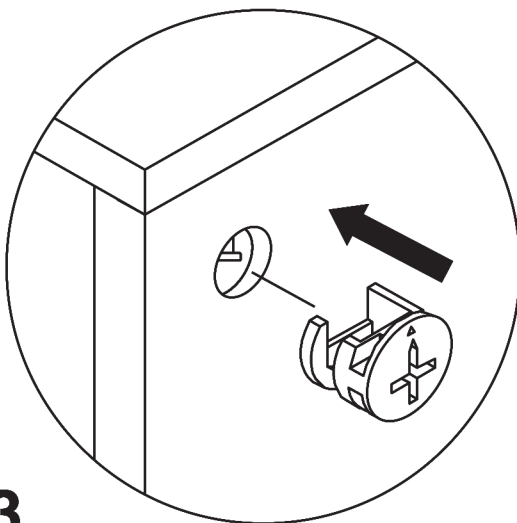
**1**

Screw the cam bolt into panel.



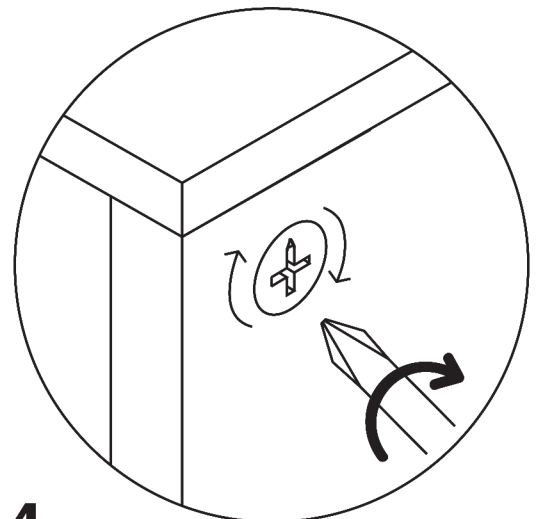
**2**

Insert the cam bolt into the bolt hole of joint panel.



**3**

Align the cam lock with its side opening (or arrow) pointing to cam bolt.



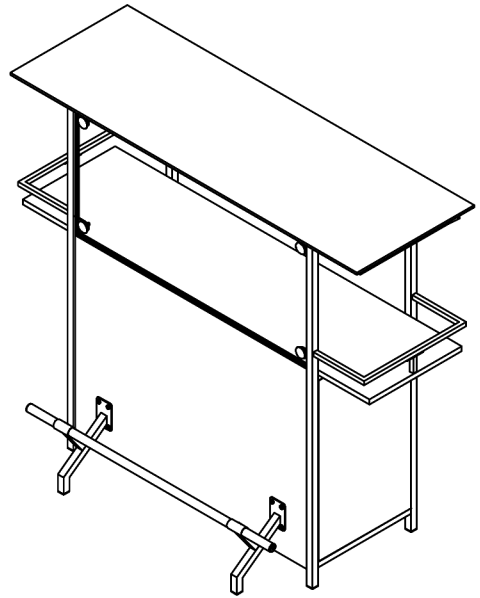
**4**

Turn the cam lock clockwise gently until it will not turn any more.

# BAR TABLE

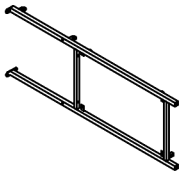


- Please keep instructions for future reference.
- Check the quantity and irregularity of parts and hardware before you start.



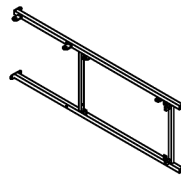
## PARTS

#1 1pc



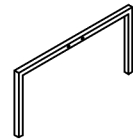
LEFT FRAME

#2 1pc



RIGHT FRAME

#3 2pcs



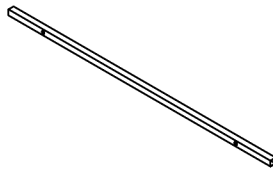
DECORATION FRAME

#4 2pcs



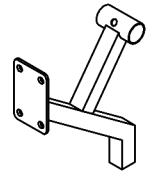
SUPPORT CROSSBAR

#5 2pcs



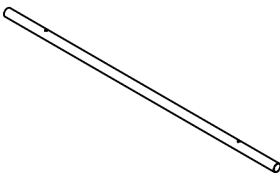
BOTTOM CROSSBAR

#6 2pcs



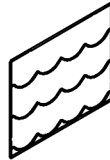
FOOT REST LEG

#7 1pc



FOOT REST BAR

#8 2pcs



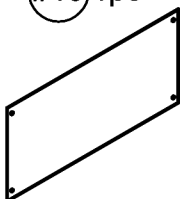
BOTTLE RACK

#9 2pcs



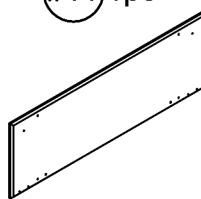
GLASS HOLDER

#10 1pc



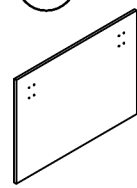
FRONT GLASS

#11 1pc



TOP PANEL

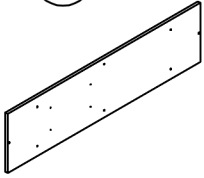
#12 1pc



FRONT PANEL

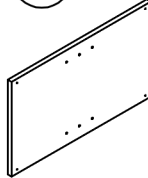
## PARTS

#13 1pc



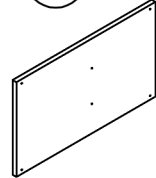
LARGE MIDDLE PANEL

#14 1pc



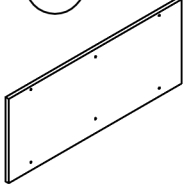
SUPPORT SHELF PANEL

#15 1pc



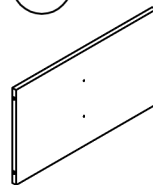
BOTTLE RACK PANEL

#16 1pc



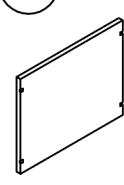
BOTTOM PANEL

#17 1pc



SMALL MIDDLE PANEL

#18 1pc



SHELF PANEL

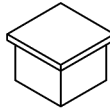
## HARDWARE

#A 4pcs



CYLINDER NUT

#B 6pcs



CAP

#C 2pcs



ROUND CAP

#D 4pcs



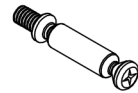
PLASTIC WASHER

#E 4pcs



SHELF BOLT

#F 2pcs



CAM-BOLT

#G 2pcs



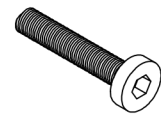
CAM-LOCK

#H 4pcs



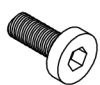
NUT

#I 6pcs



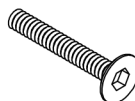
LONG BOLT 1/4" x 28mm

#J 26pcs



SHORT BOLT 1/4" x 12mm

#K 8pcs



BOLT 1/4" x 28mm

#L 2pcs



FOOT REST BAR BOLT  
1/4" x 12mm

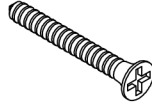
## HARDWARE

#M 22pcs



SHORT SCREW  
4 x 12mm

#N 2pcs



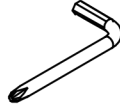
LONG SCREW  
4 x 38mm

## ACCESSORIES

#O 1pc



#P 1pc

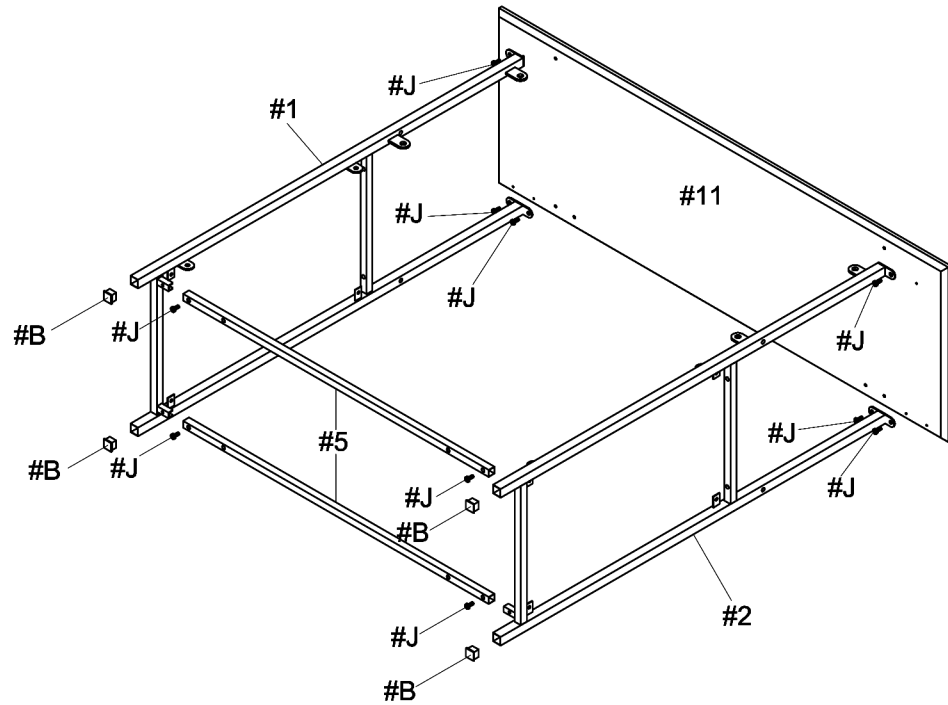


# ASSEMBLY INSTRUCTIONS

## 1

- Part #1 x1pc
- Part #2 x1pc
- Part #5 x2pcs
- Part #11 x1pc
- Hardware #B x4pcs
- Hardware #J x10pcs

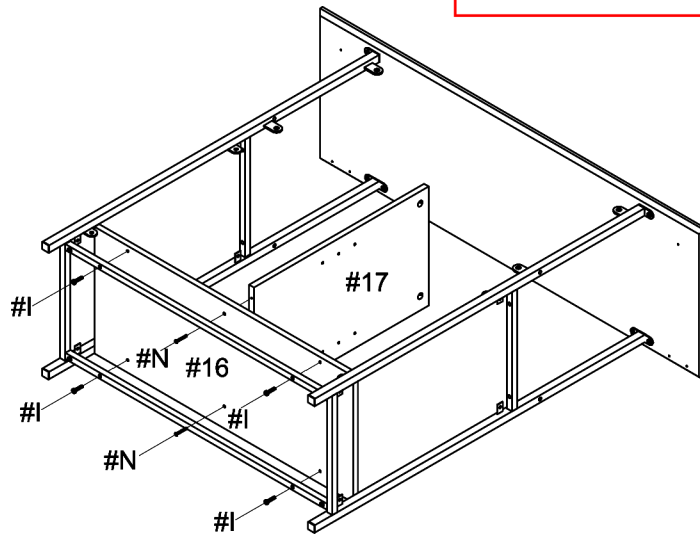
Align bottom crossbars (#5) and top panel (#11) to the frames (#1,2), then secure by using bolts (#J). Attach caps (#B) to the bottom of the frame (#1,2).



## 2

- Part #16 x1pc
- Part #17 x1pc
- Hardware #I x4pcs
- Hardware #N x2pcs

Secure bottom panel (#16) to the crossbars by using bolts (#I). Align small middle panel (#17) to the bottom panel (#16), then secure by using screws (#N).

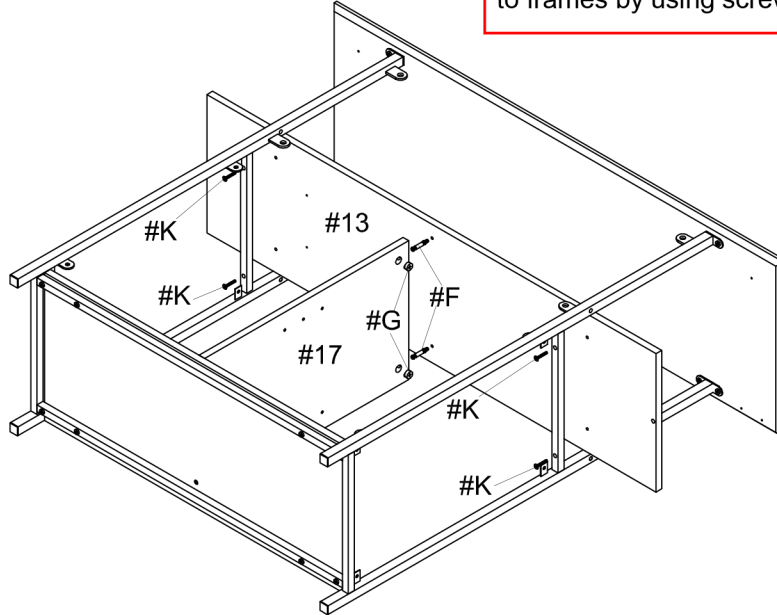


# ASSEMBLY INSTRUCTIONS

## 3

- Part #13 x1pc
- Part #17 x1pc
- Hardware #G x2pcs
- Hardware #F x2pcs
- Hardware #K x4pcs

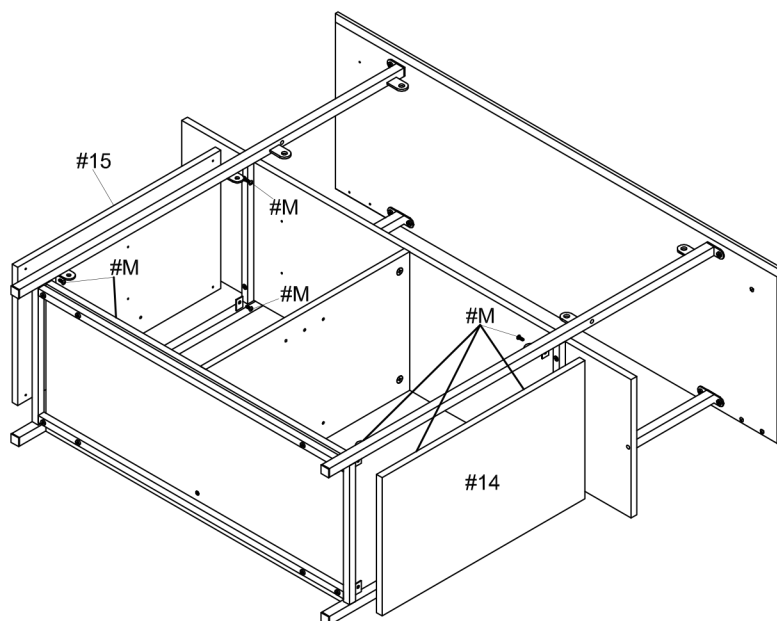
Secure cam bolts (#I) onto large middle panel (#13), then align the large middle panel (#13) to small middle panel (#17). Secure middle panels (#13, 17) by using cam locks (#G). Secure middle panel (#13) to frames by using screws (#K).



## 4

- Part #14 x1pc
- Part #15 x1pc
- Hardware #M x8pcs

Align side panels (#14, 15) to the frames, then secure by using screws (#M).



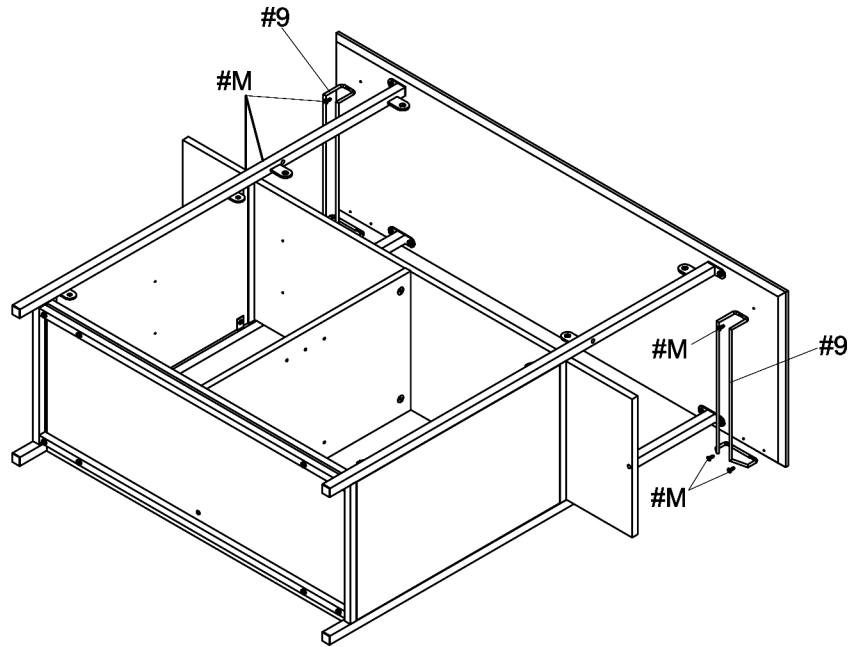
# ASSEMBLY INSTRUCTIONS

## 5

Part #9 x2pcs

Hardware #M x6pcs

Align glass holders (#9) to top panel, then secure by using screws (#M).

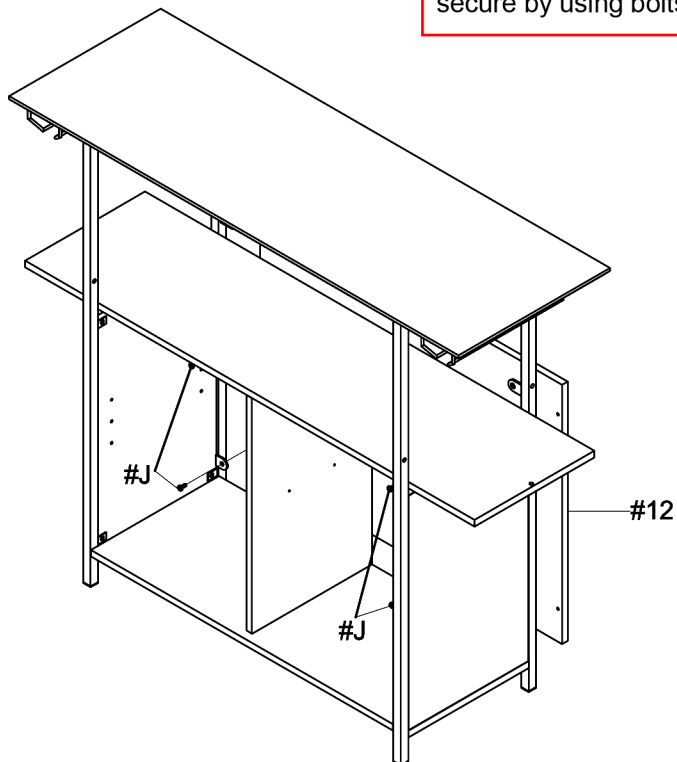


## 6

Part #12 x1pc

Hardware #J x4pcs

Align front panel (#12) to the frame, then secure by using bolts (#J).



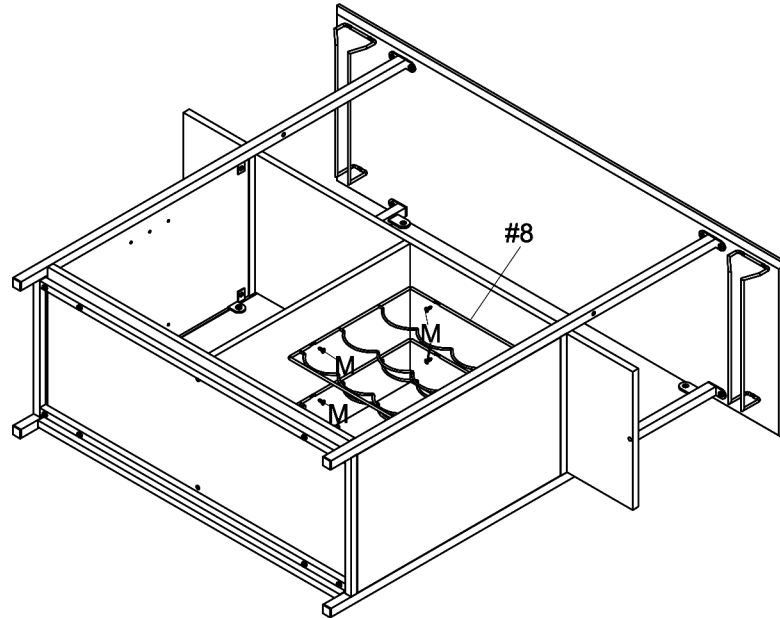
# ASSEMBLY INSTRUCTIONS

## 7

Part #8 x2pcs

Hardware #M x8pcs

Align bottle racks (#8) to the unit, then secure by using screws (#M).



## 8

Part #3 x2pcs

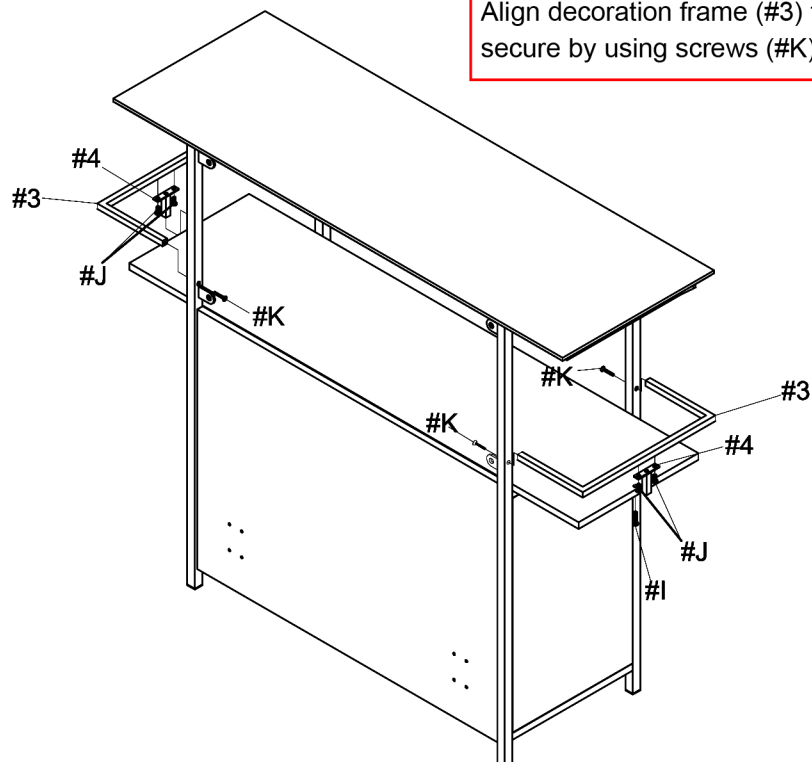
Part #4 x2pcs

Hardware #I x2pcs

Hardware #J x4pcs

Hardware #K x4pcs

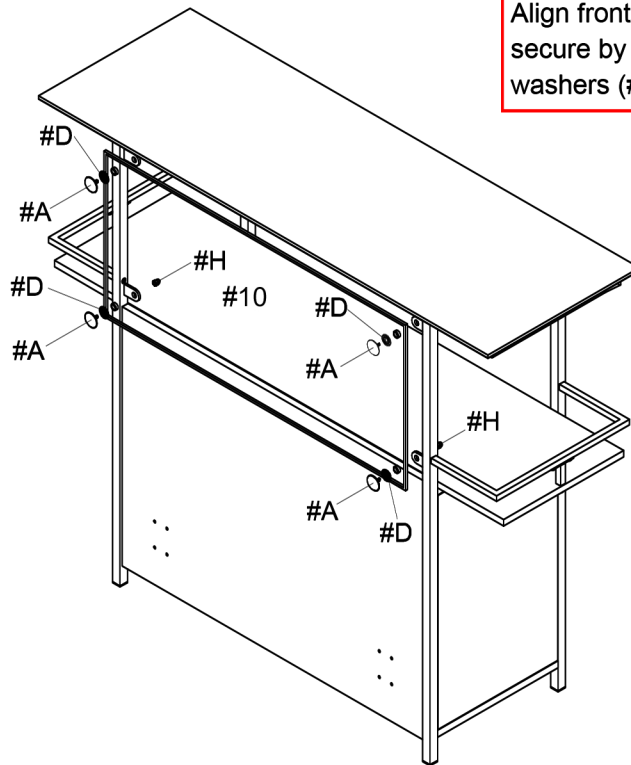
Align support crossbars (#4) to the decoration frame (#3), then secure by using bolts (#J).  
Align decoration frame (#3) to the unit, then secure by using screws (#K).



# ASSEMBLY INSTRUCTIONS

## 9

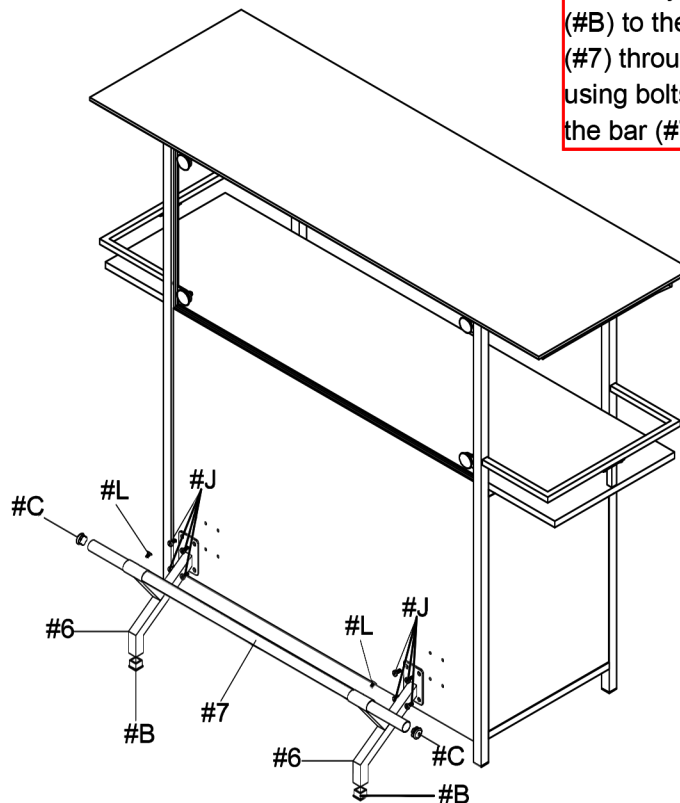
- Part #10 x1pc
- Hardware #A x4pcs
- Hardware #D x4pcs
- Hardware #H x4pcs



Align front glass (#10) to the unit, then secure by using cylinder nuts (#A) with washers (#D).

## 10

- Part #6 x2pcs
- Part #7 x1pc
- Hardware #B x2pcs
- Hardware #C x2pcs
- Hardware #J x8pcs
- Hardware #L x2pcs



Align foot rest legs (#6) to the unit, then secure by using screws (#J). Attach caps (#B) to the legs (#6). Slide the foot rest bar (#7) through the legs (#6), then secure by using bolts (#L). Attach round caps (#C) to the bar (#7).

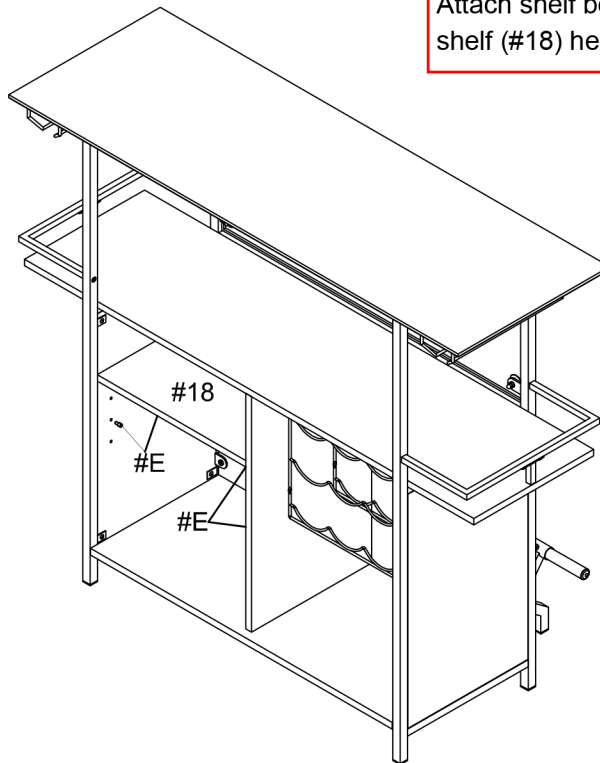
# ASSEMBLY INSTRUCTIONS

## 11

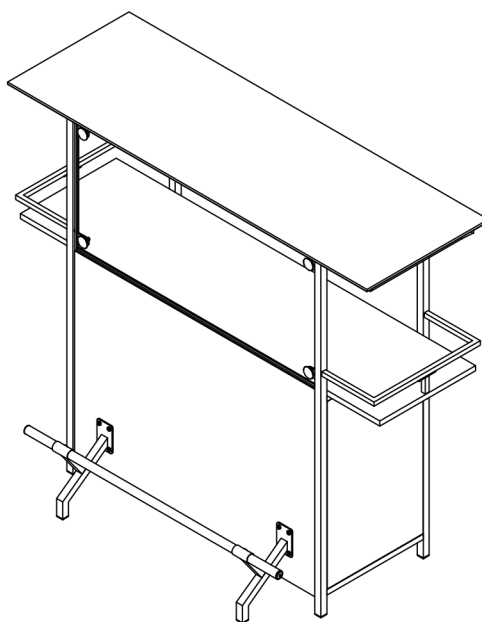
Part #18 x1pc

Hardware #E x4pcs

Attach shelf bolts (#E) to the desired shelf (#18) height.



## 12



### ASSEMBLY COMPLETED



Please ensure the furniture rests on an even and flat surface. If the product wobbles or feels loose, double-check all bolts and/or screws are properly tightened and secured.

#### ✓ Keep this handy!

Please retain this instruction manual and any order-related information for future reference.

#### ✓ Lift, don't drag!

To avoid damage to product please always LIFT the product when transporting or adjusting the placement.