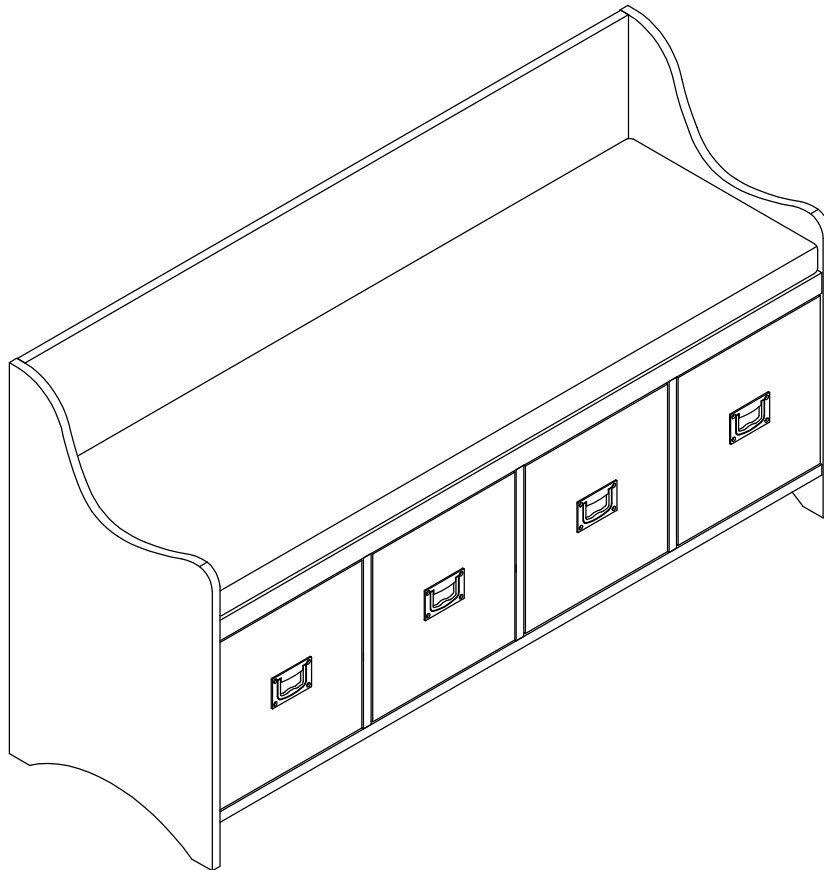


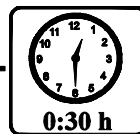
ASSEMBLY INSTRUCTIONS

STORAGE BENCH

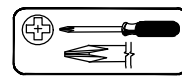


Thank you for purchasing this quality product. Be sure to check all packing material carefully for small parts which may have come loose inside the carton during shipment. Separate, identify and count all parts and hardware. Compare with the parts list to be sure all parts are present.
"DO NOT TIGHTEN SCREWS UNTIL COMPLETELY ASSEMBLED"

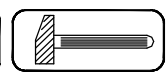
*** Use of power tool to assemble this product will invalidate any claim and damage this product making unsafe !!!**
*** Please assemble on a clean soft surface to avoid damage.**



Tools Required



(Not included)



(Not included)

IMPORTANT:

PLEASE READ INSTRUCTION BEFORE STARTING THE ASSEMBLY

Thank you for buying our products.

Please read the installation manual carefully before installation,

we need you to follow the instructions on the accessories and hardware

step by step assembly complete, our instructions are very detailed.

Products are environmentally friendly products,

Please rest assured that you do not soak in water, do not place very heavy items,

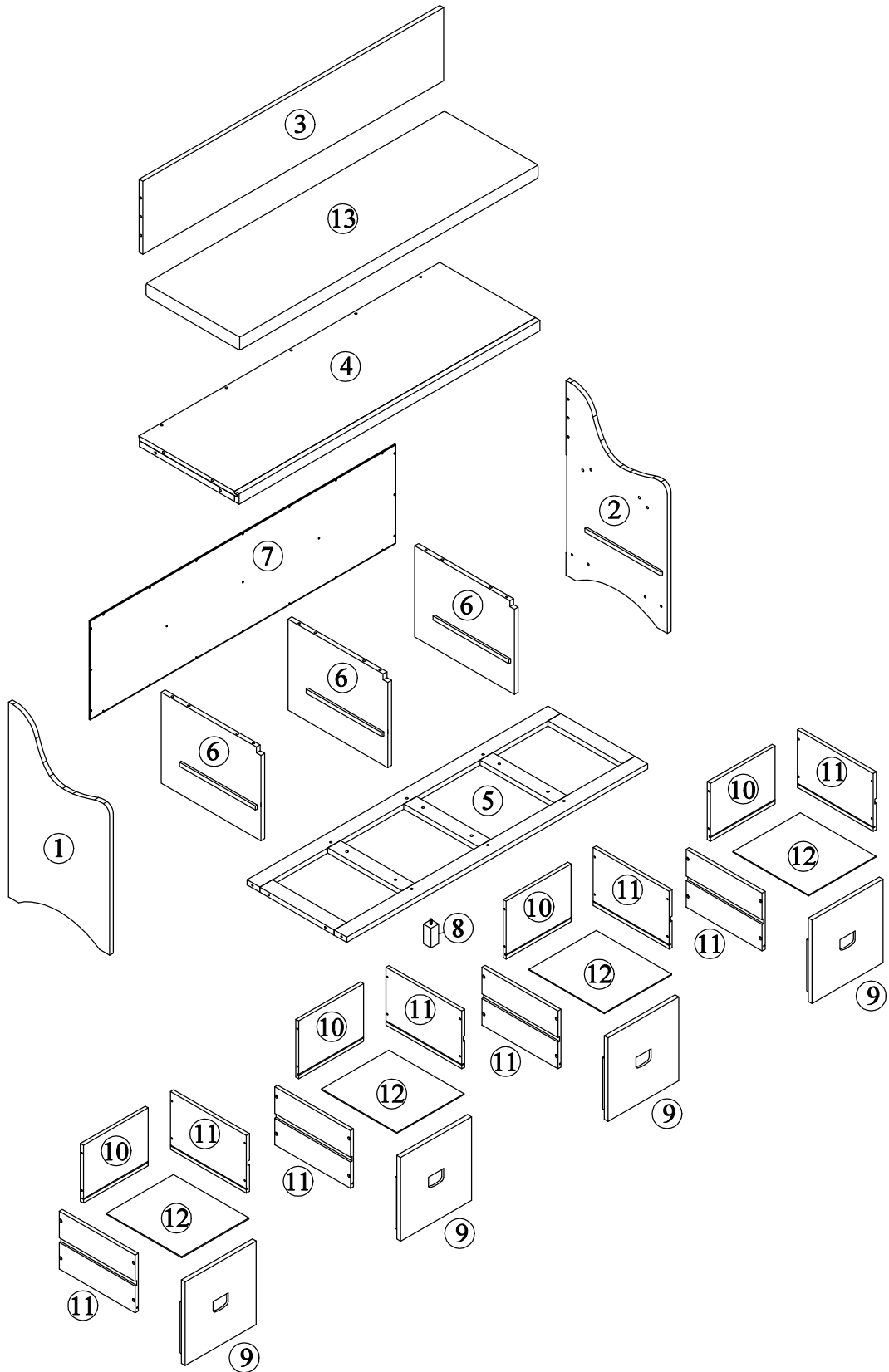
do not malicious push and pull,

if you have any problems in the process of assembly and use, please contact us.

Thank you again for your purchase of our products,

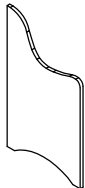
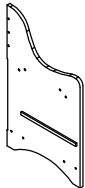
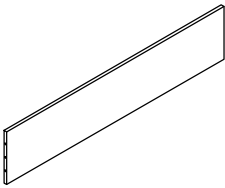
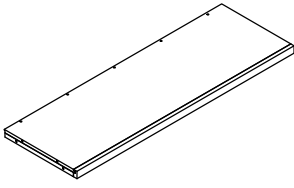
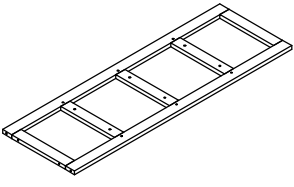
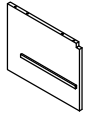
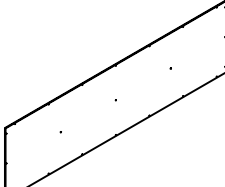
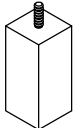
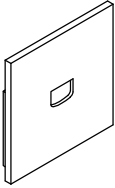
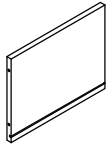
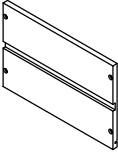
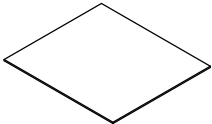
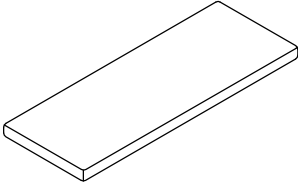
I wish you a happy life.

Detail View - STORAGE BENCH


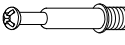


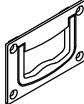

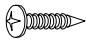
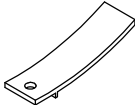
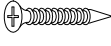




Identifying the Hardware-Identify the hardware using the illustrations below.

Part List

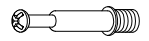
<p>1</p>  <p>Left side - 1pc</p>	<p>2</p>  <p>Right side - 1pc</p>
<p>3</p>  <p>Back panel - 1pc</p>	<p>4</p>  <p>Top frames - 1pc</p>
<p>5</p>  <p>Bottom frames - 1pc</p>	<p>6</p>  <p>Mid panel - 3pcs</p>
<p>7</p>  <p>Back panel - 1pc</p>	<p>8</p>  <p>Support feet - 1pc</p>
<p>9</p>  <p>Drawer face panel - 4pcs</p>	<p>10</p>  <p>Drawer back side panel - 4pcs</p>
<p>11</p>  <p>Drawer side panel - 8pcs</p>	<p>12</p>  <p>Drawer bottom panel - 4pcs</p>
<p>13</p>  <p>Cushions - 1pc</p>	

Hardware List

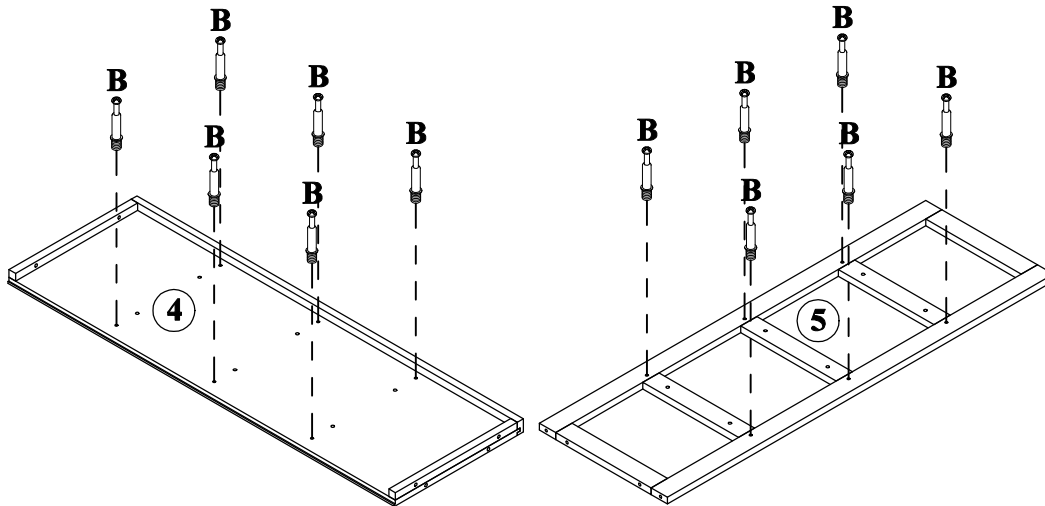
<p>A</p>  <p>$\varnothing 13 \times 1/4" \times 28 \text{mm}$</p>	<p>B</p>  <p>$\varnothing 6 \times 35 \text{mm}$</p>	<p>C</p>  <p>$\varnothing 14 \times 12 \text{mm}$</p>
<p>Hex-Head bolts(4pcs) Three in one bolts(23pcs) Three in one lock(23pcs)</p>		
<p>D</p>  <p>$\varnothing 8 \times \varnothing 4 \times 25 \text{mm}$</p>	<p>E</p> 	<p>F</p>  <p>$\varnothing 6 \times \varnothing 3 \times 12 \text{mm}$</p>
<p>Round head screw(32pcs) Handle(4pcs) Flat head screw(16pcs)</p>		
<p>G</p>  <p>$\varnothing 7 \times \varnothing 3 \times 12 \text{mm}$</p>	<p>H</p> 	<p>I</p>  <p>$\varnothing 7 \times \varnothing 3.5 \times 15 \text{mm}$</p>
<p>Round head screw(23pcs) Drawer stopper(4pcs) Flat head screw(4pcs)</p>		
<p>J</p>  <p>$\varnothing 8 \times 30 \text{mm}$</p>	<p>K</p>  <p>4mm</p>	
<p>Wood dowel(24pcs) Allen key(1pc)</p>		

STEP: 1

B



12PCS



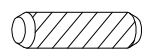
STEP: 2

C

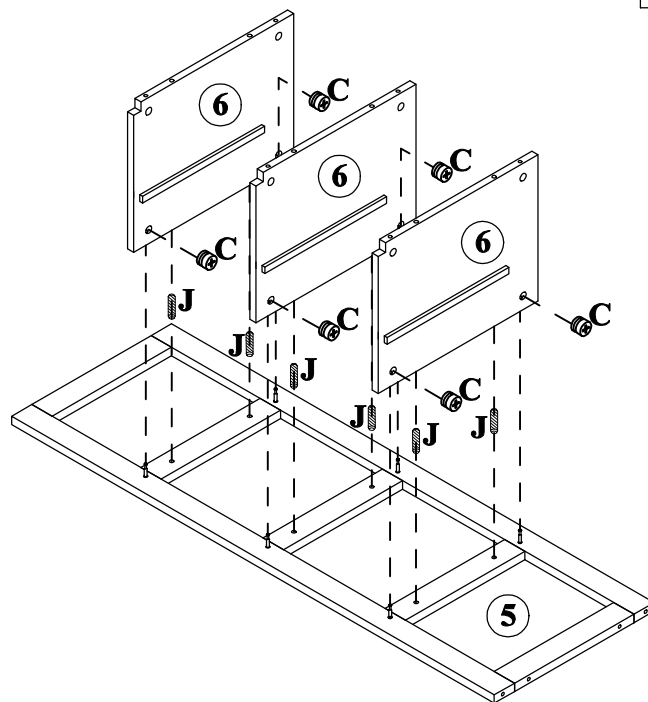


6PCS



J

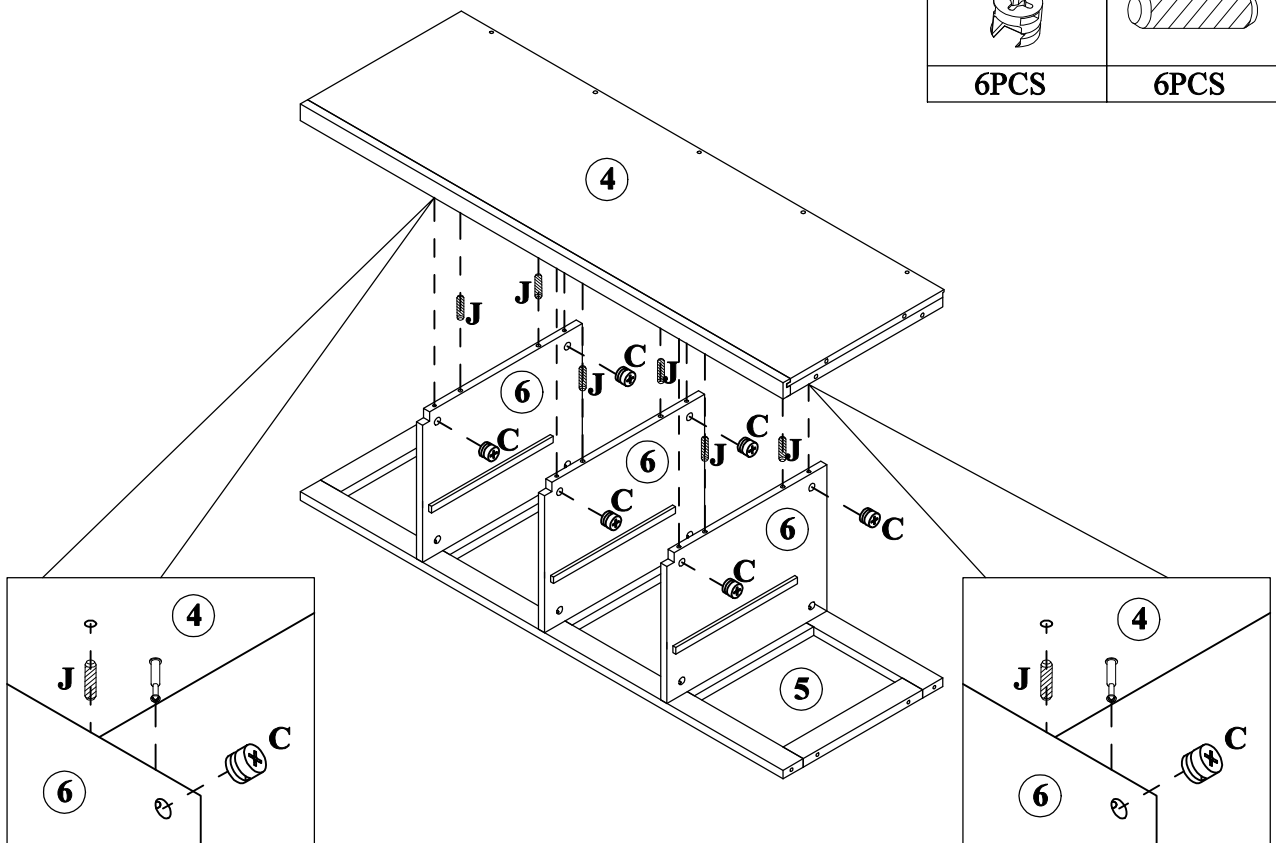


6PCS




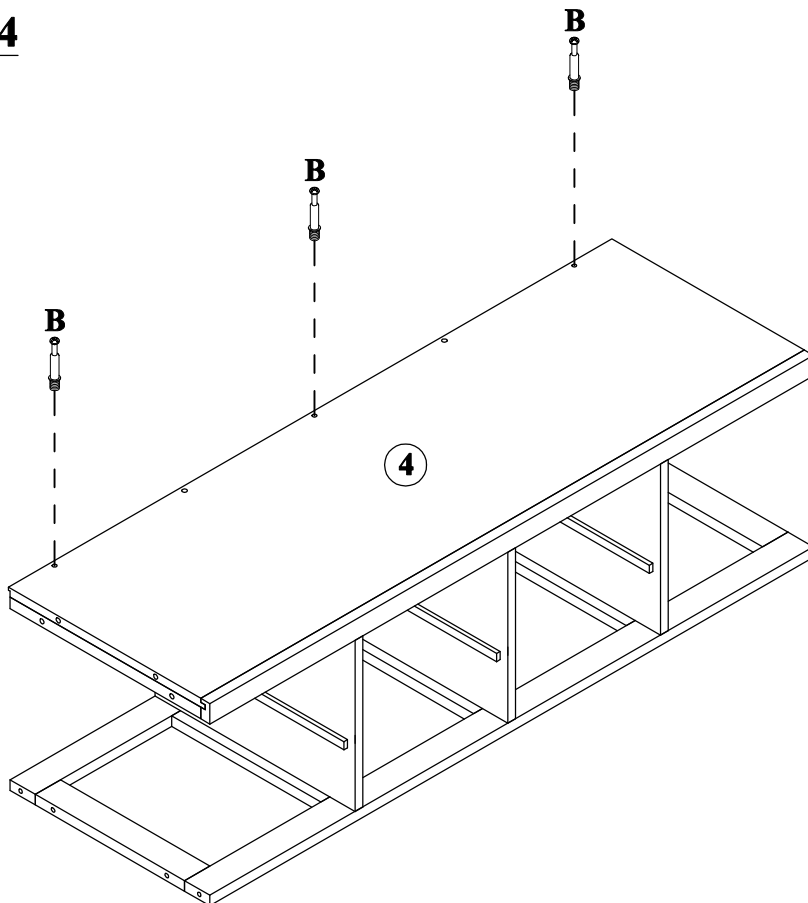
STEP: 3

C	J
	
6PCS	6PCS


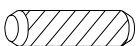


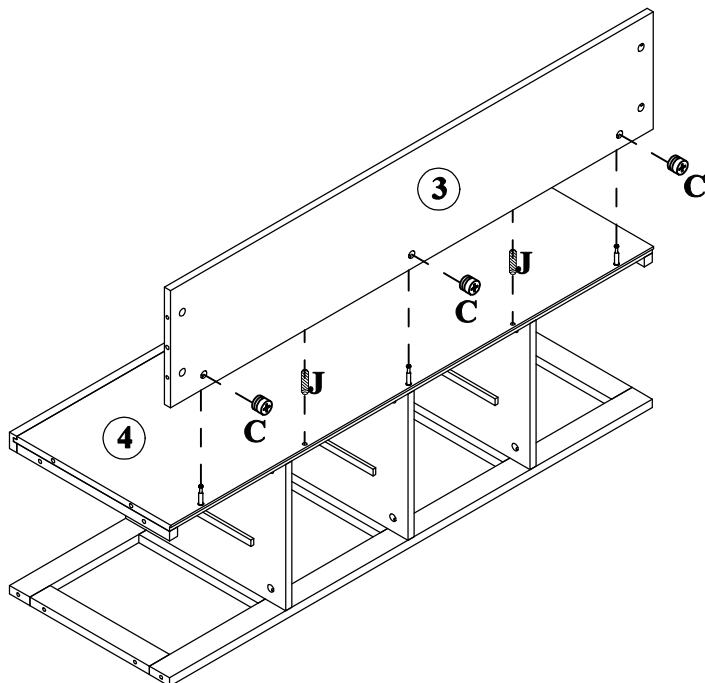
STEP: 4

B

3PCS

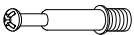


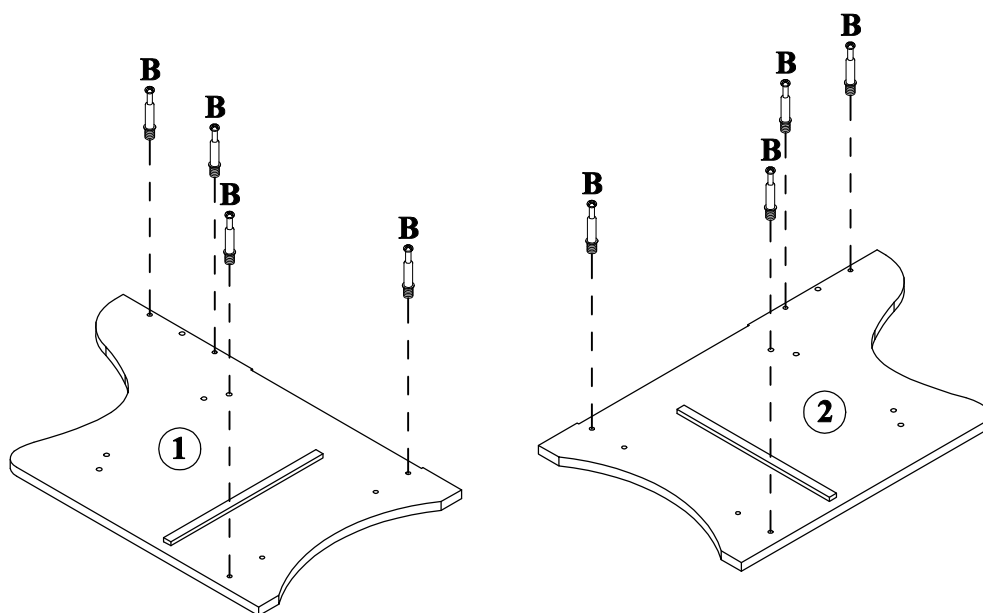
STEP: 5

C	J
	
3PCS	2PCS

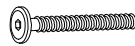

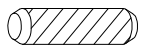


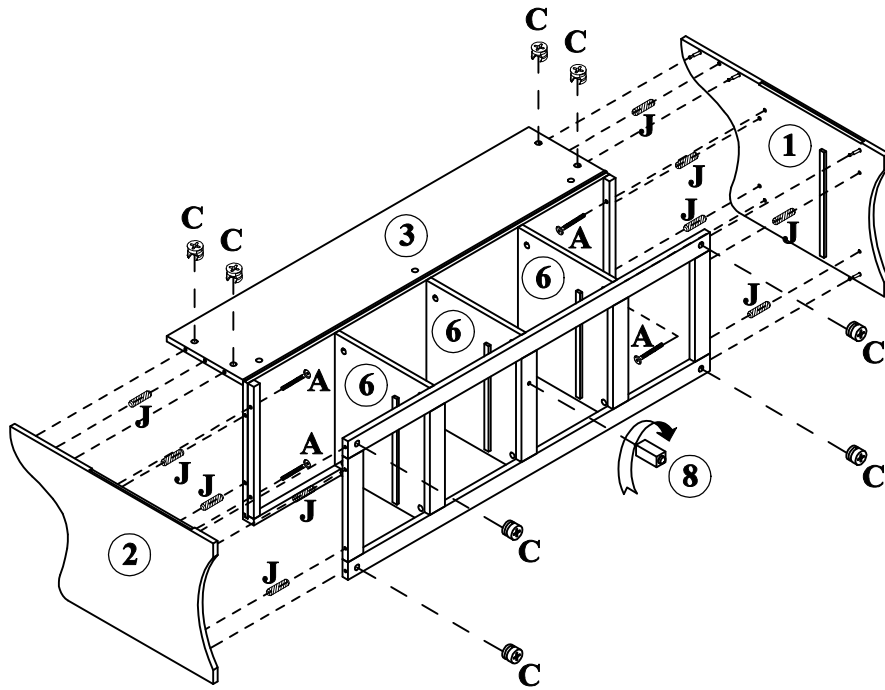
STEP: 6

B

8PCS




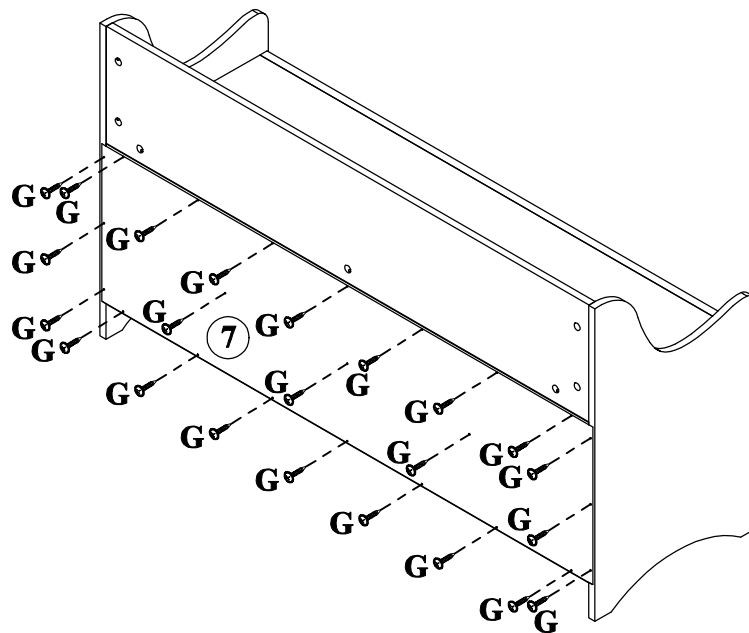
STEP: 7

A	C	J
		
4PCS	8PCS	10PCS


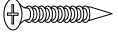


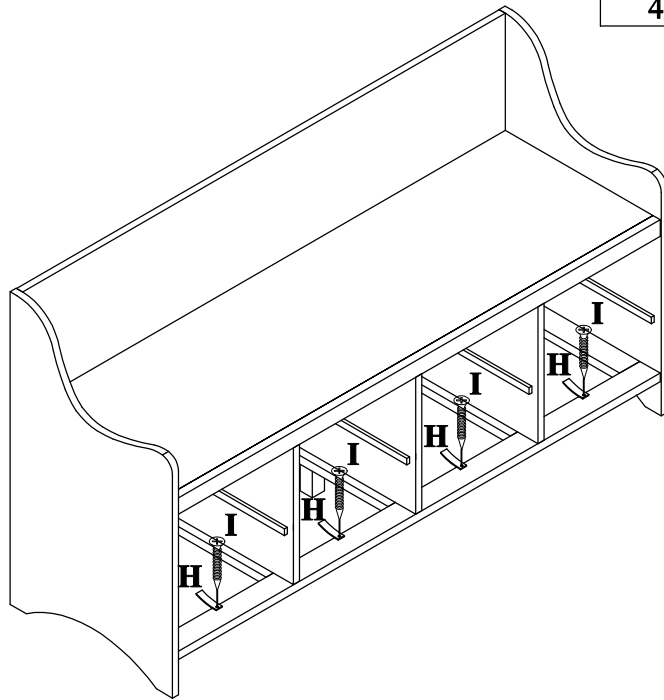
STEP: 8

G

23PCS




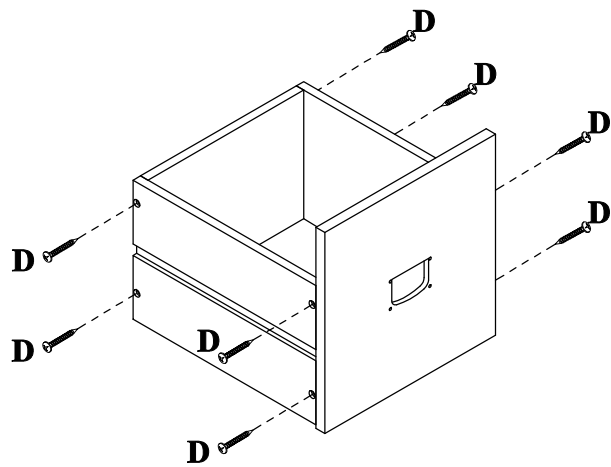
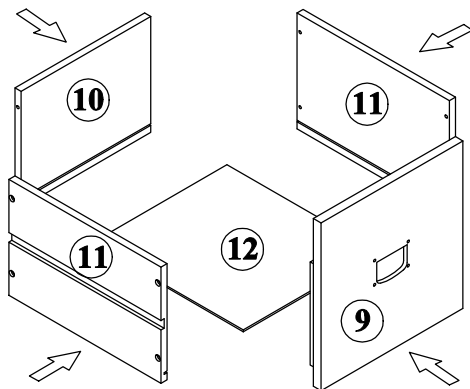
STEP: 9

H		I	
4PCS		4PCS	



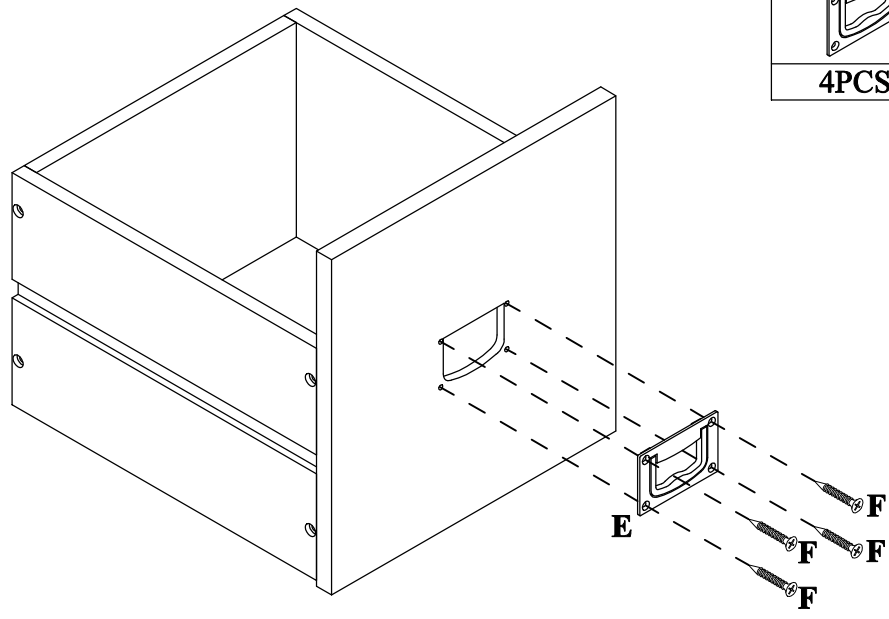
STEP: 10

D	
32PCS	



X 4

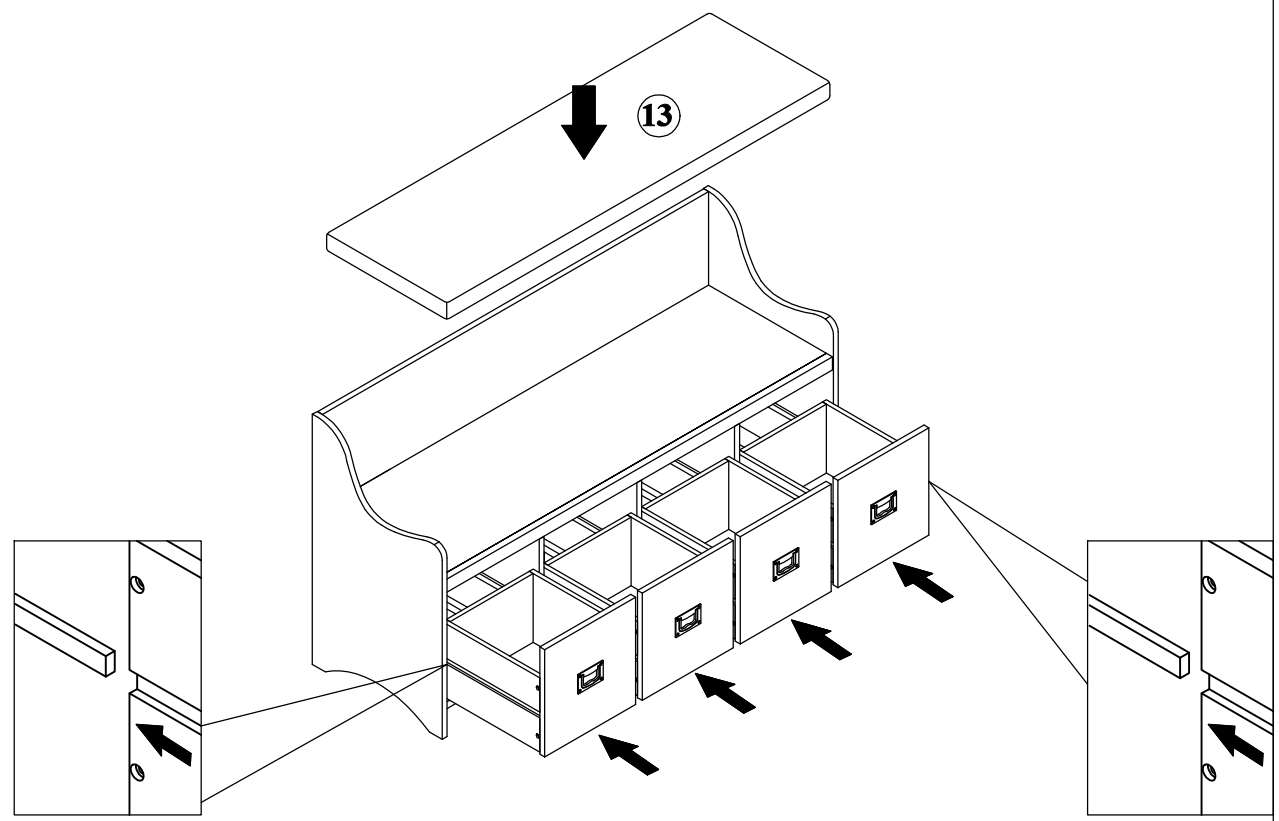
STEP: 11



E		F	
	4PCS		16PCS

X 4

STEP: 12



STEP: 13

