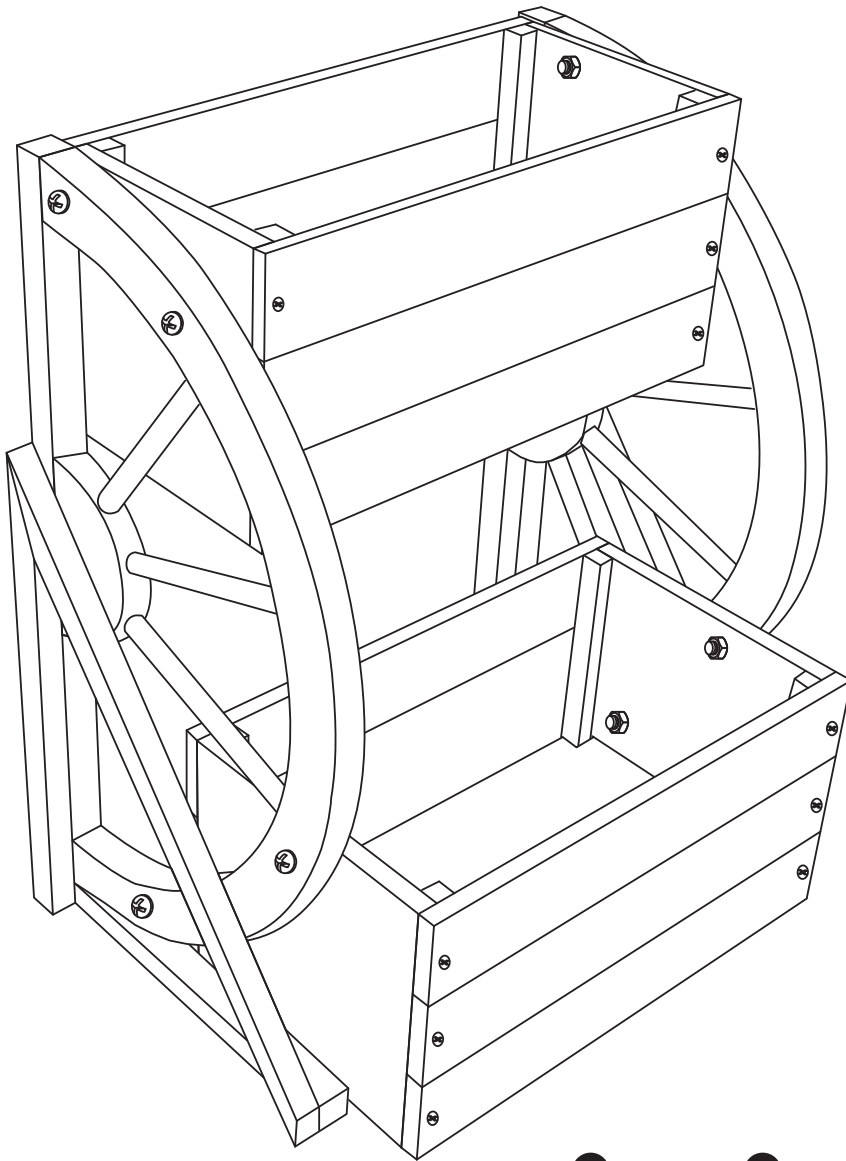
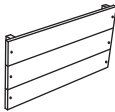
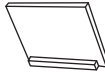
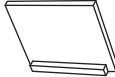


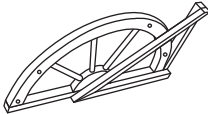
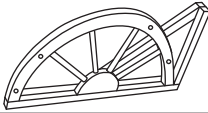




RUSTIC 2-TIER WAGON WHEEL PLANT STAND

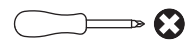
Review all assembly and care instructions carefully before using this product. Save this manual for future reference.
Assemble components on a soft, clean surface to avoid damaging the finish.



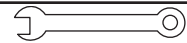
Inspect packaging to ensure all parts are accounted for before disposing of packing materials.
 Save the packing slip.

No.	PARTS		QTY.
A		Main Panel	4
B		Small Side Panel	2
C		Large Side Panel	2
D		Small Bottom Panel	1
E		Large Bottom Panel	1
F		Left Leg	1
G		Right Leg	1
H		M4x40mm Screw	24
I		M6x50mm Bolt Set	8

TOOLS REQUIRED (not included)



Phillips Screwdriver



10mm Wrench

! WARNING **!**

CHOKING HAZARD — This item contains small parts that can be swallowed. Keep children and pets away during assembly.

30 pounds
13.6 kg
Weight Capacity
Top Tier

35 pounds
15.9 kg
Weight Capacity
Bottom Tier

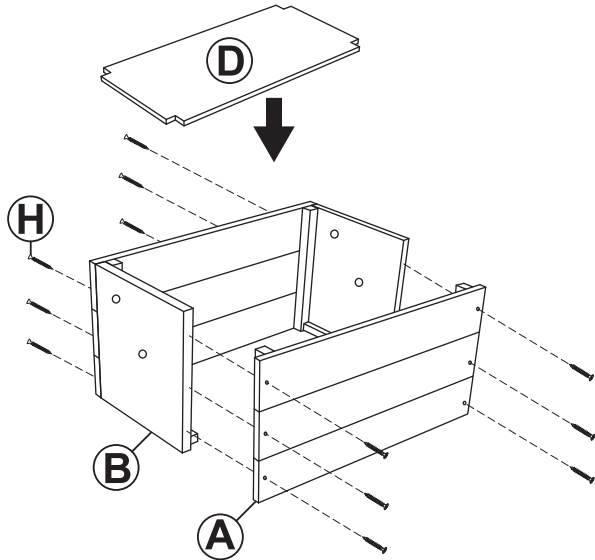
! WARNING:

Manufacturer and seller expressly disclaim any and all liability from personal injury, property damage or loss, whether direct or indirect, or incidental, resulting from the incorrect attachment, improper use, inadequate maintenance, or neglect of this product.

ASSEMBLY

STEP 1

A: 2
B: 2
D: 1
H: 12



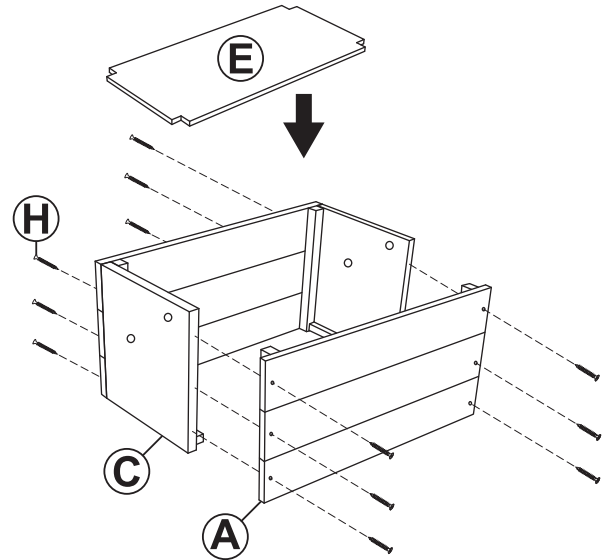
NOTE: Each side panel has a ledge for supporting the bottom panel. Ensure the ledge of both side panels is installed on the bottom.

Align two Main Panels (A) with two Small Side Panels (B) and secure using twelve M4x40mm Screws, as shown.

Place Small Bottom Panel (D) into the bottom of the planter box.

STEP 2

A: 2
C: 2
E: 1
H: 12



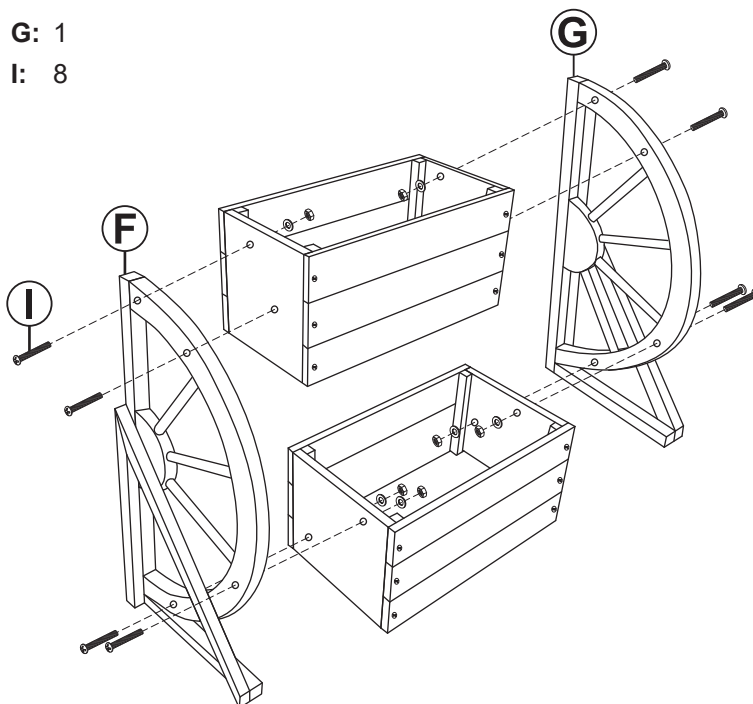
NOTE: Each side panel has a ledge for supporting the bottom panel. Ensure the ledge of both side panels is installed on the bottom.

Align two Main Panels (A) with two Large Side Panels (C) and secure using twelve M4x40mm Screws, as shown.

Place Large Bottom Panel (E) into the bottom of the planter box.

STEP 3

F: 1
G: 1
I: 8



IMPORTANT: Do not fully tighten hardware until all components have been loosely assembled. If hardware is tightened too soon, mounting holes may not align and parts may not easily fit together.

Loosely fasten the bottom of Left Leg (F) to the larger planter box (Step 2) using two M6x50mm Bolt Sets (I). Then, loosely fasten the bottom of Right Leg (G) to the opposite side of the larger planter box using two M6x50mm Bolt Sets (I).

With assistance, align and fasten the smaller planter box to the top of the legs using four M6x50mm Bolt Sets (I).

Finish tightening all hardware.

Care & Maintenance

SAFE USE: Only use on a flat, level surface. Do not sit or stand on any part of this item. Do not overload the tiers as doing so may permanently damage the product.

MOVING: Always lift the unit when moving it around, never drag it.

CLEANING: Identify the direction of the woodgrain and wipe dust and debris using a soft, dry cloth. Surface mildew can be washed away using a very mild solution of soap and water and a soft cloth. Thoroughly rinse soap with clean water.

INSPECT: Periodically check hardware and tighten as necessary.

EXPOSURE: Over time, sunlight and weather elements may change the color of natural wood. Avoid leaving wooden furniture in the rain or high-humidity climates as wood can expand and contract with humidity changes; you may need to tighten fittings periodically. If this item is not being used for an extended period of time, we recommend covering or storing it indoors.

WINTER CARE & STORAGE: Cover and store this unit indoors during the winter to protect it from ice and snow. Storing this item will preserve the appearance and integrity of the unit.

WARNING: THE ONE-YEAR WARRANTY DOES NOT COVER DAMAGES OR DEFECTS CAUSED BY THE APPLICATION OF CHEMICAL TREATMENTS, PROTECTIVE COATINGS, TOUCH-UP PAINT, OR CLEANING PRODUCTS.

SAFETY STATEMENTS & WARNINGS

- For residential use only.
- Do not exceed the weight capacity of the unit.
- Keep unit a safe distance from heat sources such as fire pits, patio heaters, and grills.
- Supervise children at all time when in proximity of this product.
- Inspect assembly points frequently and tighten loose hardware as necessary.
- Never use a pressure washer, harsh chemicals or abrasive materials to clean the unit.

Any modification to the product or failure to follow recommended care will void the product warranty.

If you experience issues with assembly or the product was damaged during shipping, please contact our customer service team through one of the methods mentioned at the top of page 1.

Please have the item number and order information ready to expedite response time.

WARNING!

Manufacturer and seller expressly disclaim any and all liability from personal injury, property damage or loss, whether direct or indirect, or incidental, resulting from the incorrect attachment, improper use, inadequate maintenance, or neglect of this product.