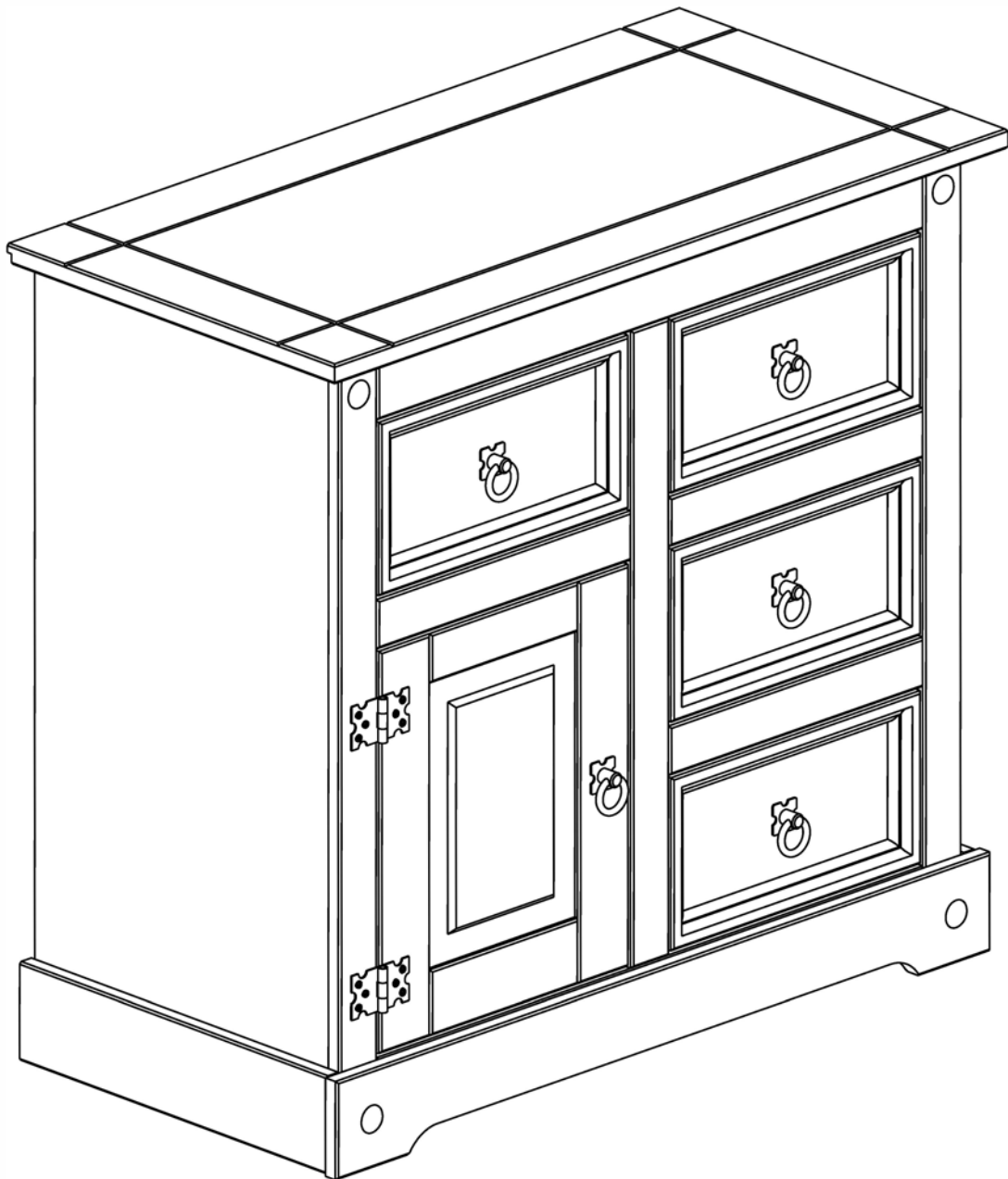


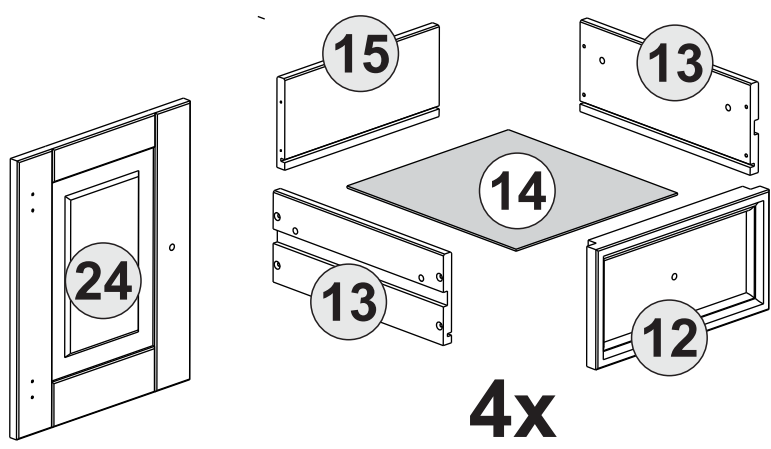
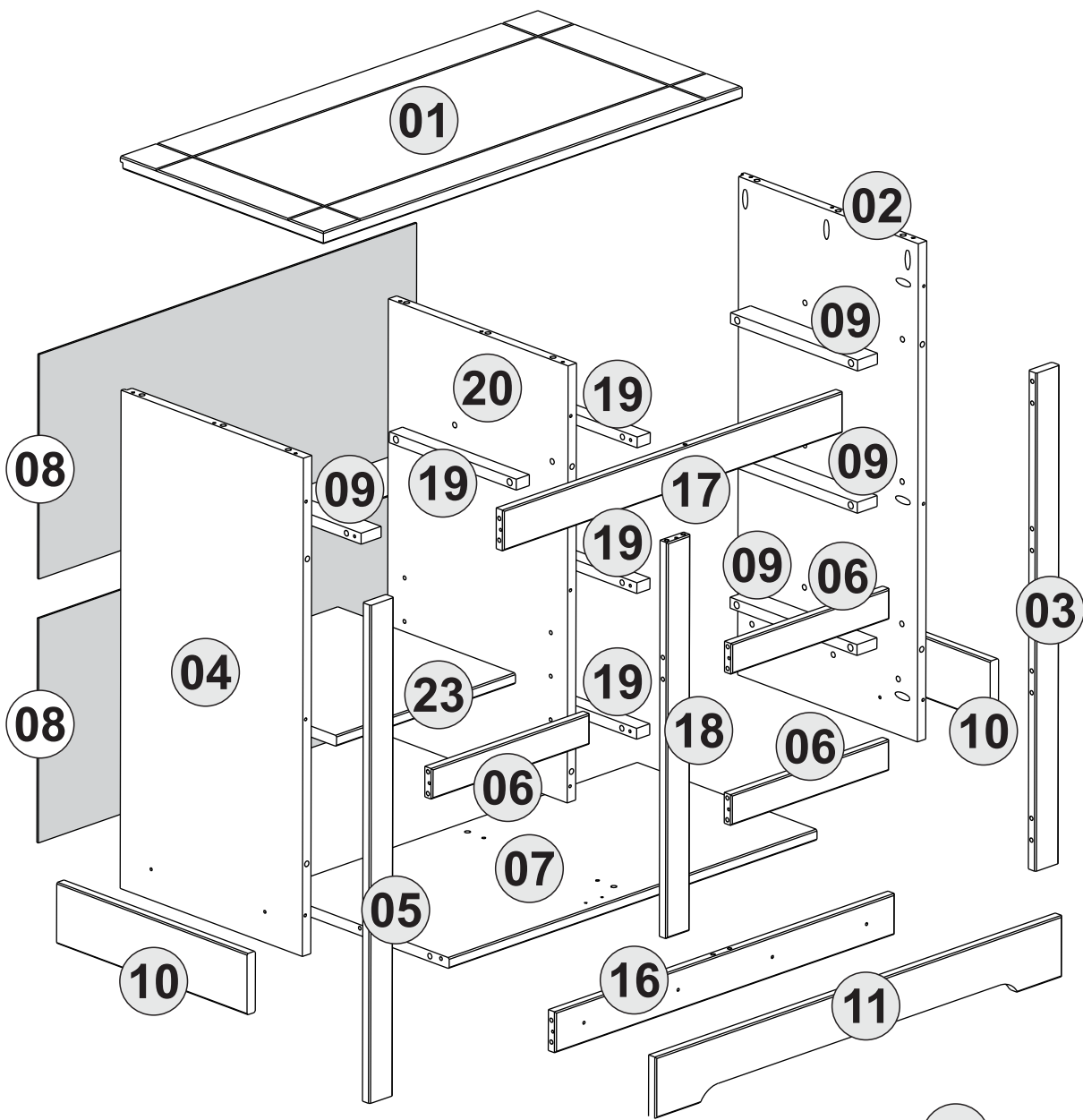
1 DOOR 4 DRAWER SIDEBOARD

ASSEMBLY INSTRUCTIONS



IMPORTANT
PLEASE READ BEFORE YOU CONTINUE FURTHER
FOR DOMESTIC USE ONLY
CARE AND MAINTENANCE

- After unpacking this product please keep the original packaging in case it needs to be returned for any reason.
- Please ensure all fittings and parts are present before commencing with assembly.
- We recommend that you lay a blanket or sheet on the floor to avoid damage to both your floor and the product.
- We strongly recommend that you keep children away from your work area.
- Assemble this product as close to its final position as possible
- Never drag or push products as this could cause damage to the joints making it inferior.
- Do not drag or push items across your furniture as this may cause the surface to scratch.
- Do not place this product next to radiator or in direct sunlight.
- Wood is a natural product and may expand if subjected to damp and may shrink or crack if subjected to heat. Therefore it is recommended that room temperature is maintained, with no sudden temperature fluctuations.
- Make sure any spillage is Wiped off immediately.
- Do not place hot or chilled items directly on to the surface, use a place mat or marking will occur.
- For general cleaning use soft cotton or micro fibre cloth and do not use detergents of any kind.
- Do not place on a wet or damp floor as staining may occur to your floor.
- From time to time it may be necessary to tighten fittings, regular inspections should be carried out.



4x



1x

The side drawer with WARNING LABEL, should be mounted in highest drawer.

▲ WARNING

Children have died from furniture tipover. To reduce the risk of furniture tipover:

- ALWAYS install tipover restraint provided.
- NEVER put a TV on this product.
- NEVER allow children to stand, climb or hang on drawers, doors, or shelves.
- NEVER open more than one drawer at a time.
- Place heaviest items in the lowest drawers.

This is a permanent label. Do not remove!

Please Note:

The parts below have been stamped with the part number/color to help identify them during assembly

PARTS LIST

Part Number	Part Description	Quantity	Carton
01	Top Panel	1	1/1
02	Right Side Panel	1	1/1
03	Right Front Upright	1	1/1
04	Left Side Panel	1	1/1
05	Left Front Upright	1	1/1
06	Front Crossbeam Short	3	1/1
07	Base	1	1/1
08	Back Panel	2	1/1
09	Drawer Runner	4	1/1
10	Side Foot	2	1/1
11	Front Foot	1	1/1
12	Drawer Front	4	1/1
13	Drawer Side	8	1/1
14	Drawer Bottom	4	1/1
15	Drawer Back	4	1/1
16	Front Crossbeam Lower	1	1/1
17	Front Crossbeam Top	1	1/1
18	Central Crossbeam	1	1/1
19	Central Drawer Runner	4	1/1
20	Division Panel	1	1/1
23	Shelf Movel	1	1/1
24	Door	1	1/1

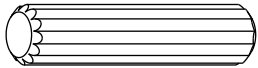



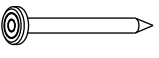
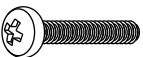
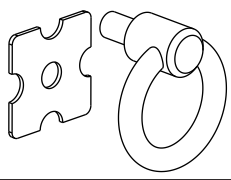
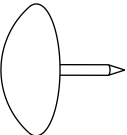

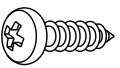
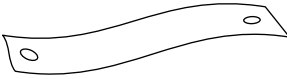
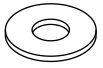
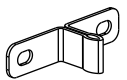
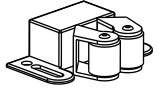


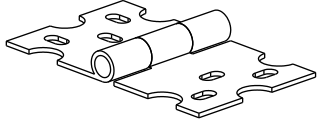
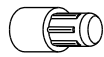
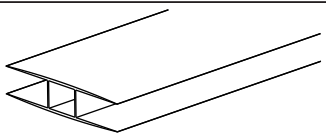
* Use of power tools to assemble this product will invalidate any claim and damage this product making it unsafe !!!
* Please assemble on a clean soft surface to avoid damage.



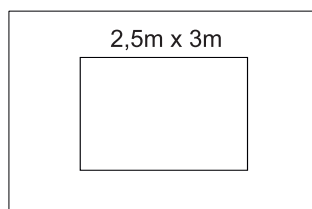
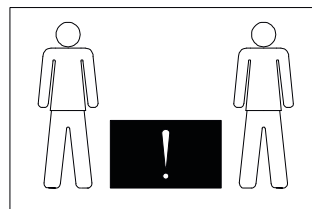
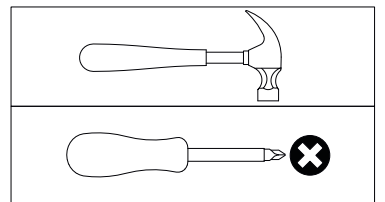
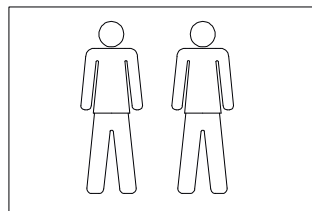
* Please check contents and read the instructions before commencing assembly.
* Assemble this product following the enclosed instructions carefully.
* Please take care to avoid damaging panels during assembly.

FITTINGS

A	 Ø8 x 30mm	47
B	 Ø3,5 x 30mm	61
C	 Ø3,0 x 30mm	32
D	 Ø4,0 x 40mm	02
E	 8 x 8mm	24
F	 3/16 x 5/8	05
G		05
H		04
I	 Ø6 x 30mm	24
J	 Ø3,5 x 14mm	16
K	 Strap	01
L	 Washer	02
M		01
N		01

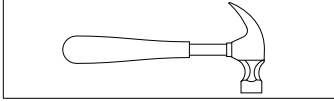
O		02
P		04
Q	 700mm	01

TOOLS REQUIRED



STEP 1

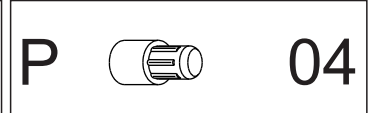
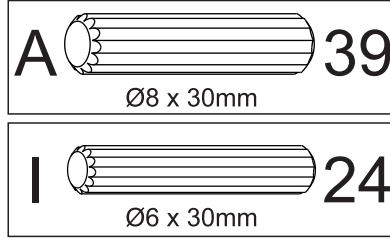
TOOLS REQUIRED



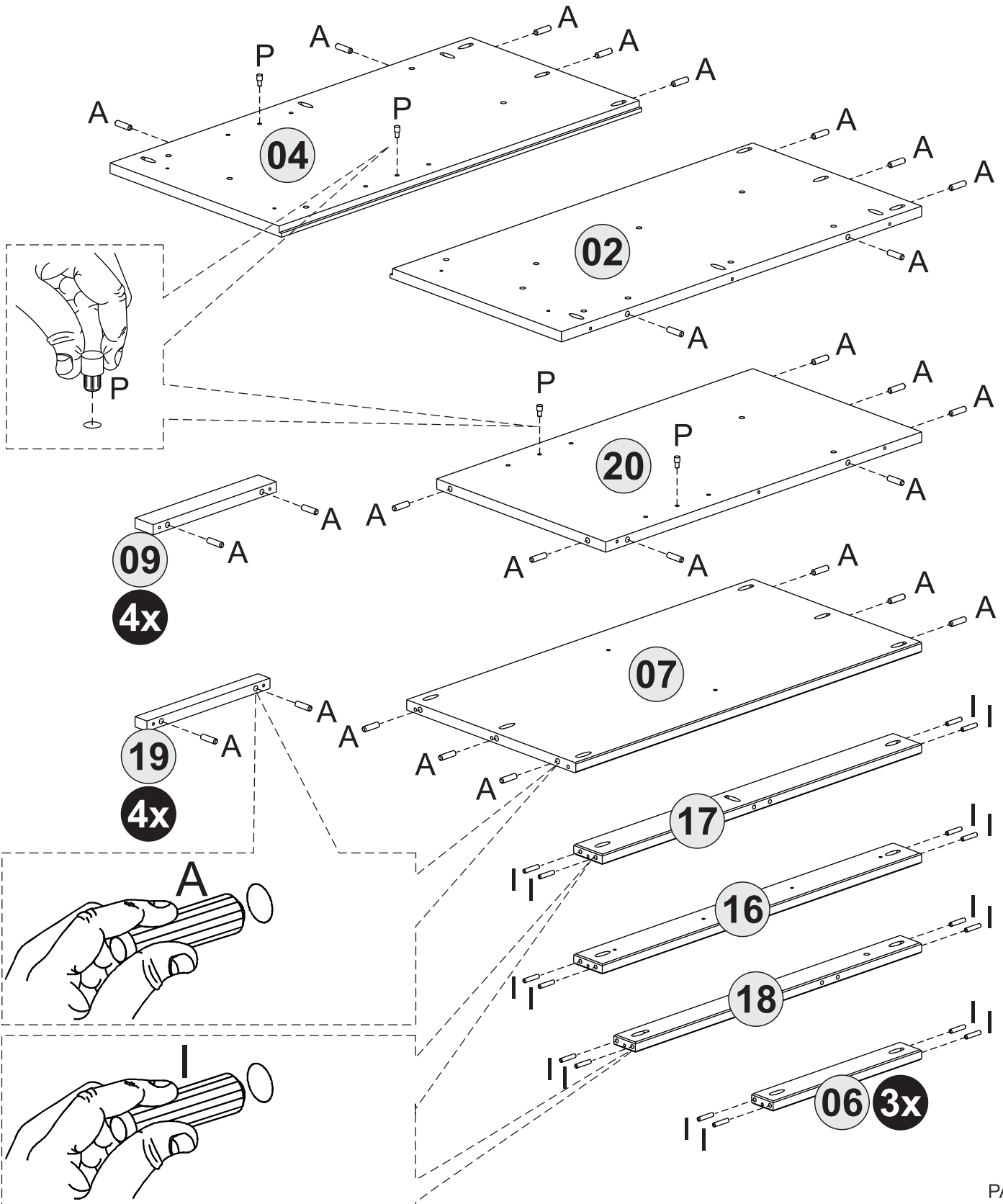
PARTS REQUIRED

02 - RIGHT SIDE PANEL	x1
04 - LEFT SIDE PANEL	x1
06 - FRONT CROSSBEAM SHORT	x3
07 - BASE	x1
09 - DRAWER RUNNER	x2
16 - FRONT CROSSBEAM LOWER	x1
17 - FRONT CROSSBEAM TOP	x1
18 - CENTRAL CROSSBEAM	x1

HARDWARE REQUIRED

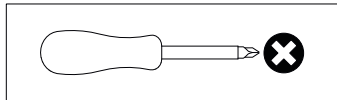


19 - CENTRAL DRAWER RUNNER	x4
20 - DIVISION PANEL	x1



STEP 2

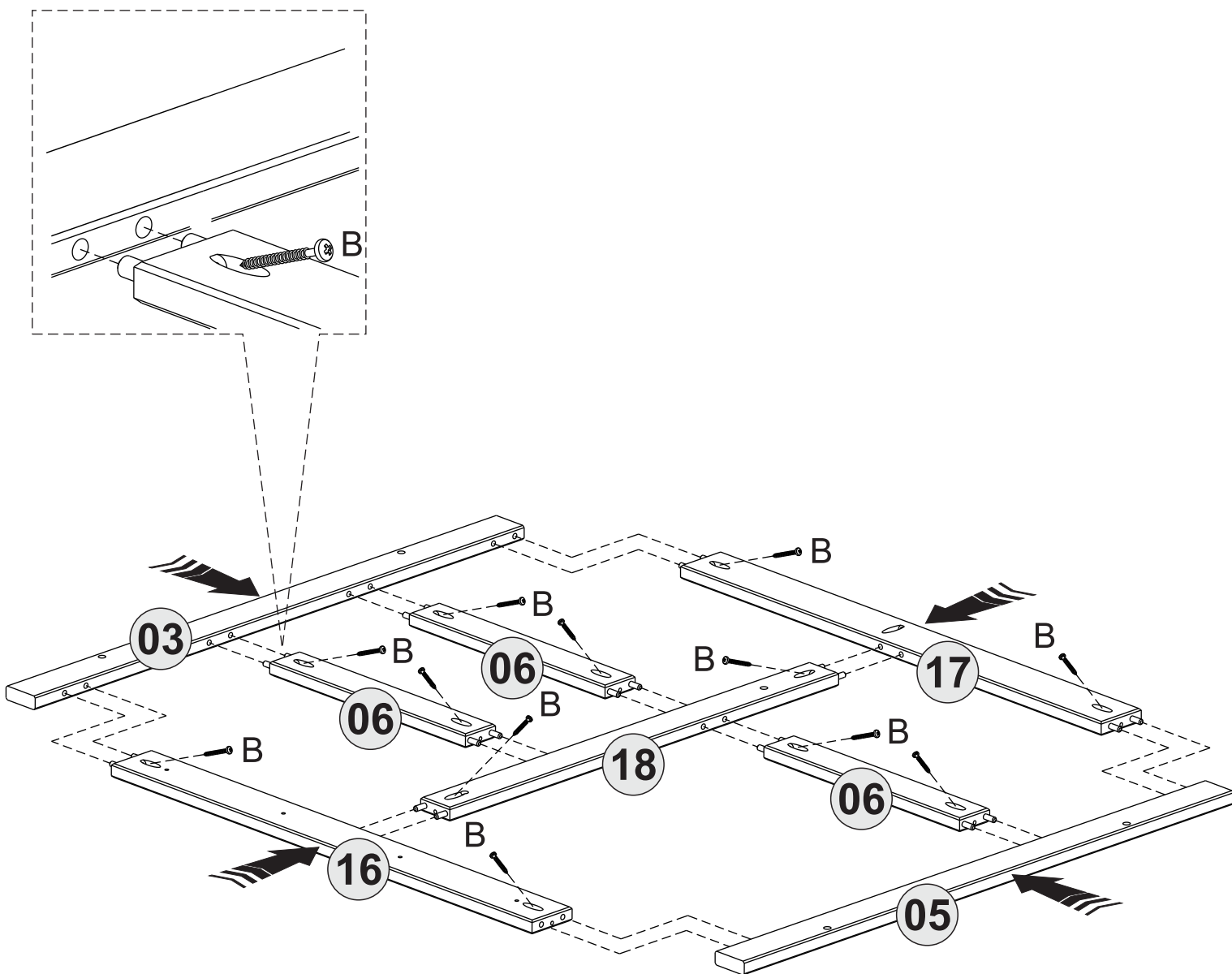
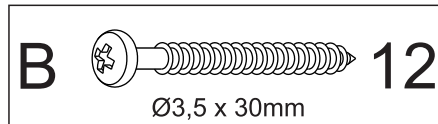
TOOLS REQUIRED



PARTS REQUIRED

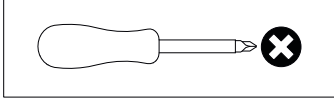
- 3 - RIGHT FRONT UPRIGHT **x1**
- 5 - LEFT FRONT UPRIGHT **x1**
- 06 - FRONT CROSSBEAM SHORT **x3**
- 16 - FRONT CROSSBEAM LOWER **x1**
- 17 - FRONT CROSSBEAM TOP **x1**
- 18 - CENTRAL CROSSBEAM **x1**

HARDWARE REQUIRED



STEP 3

TOOLS REQUIRED

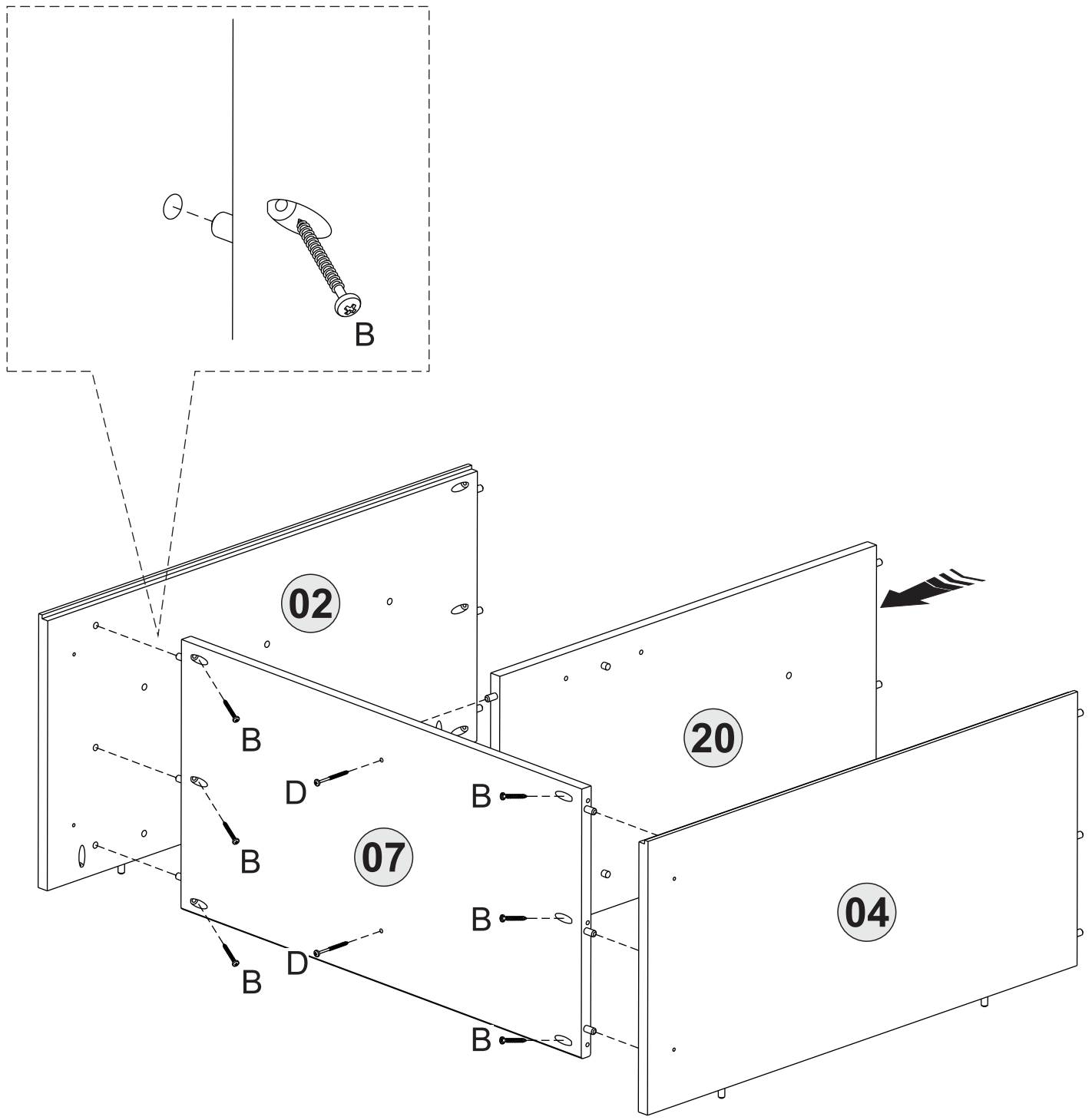


PARTS REQUIRED

2 - RIGHT SIDE PANEL	x1
4 - LEFT SIDE PANEL	x1
7 - BASE	x1
20 - DIVISION PANEL	x1

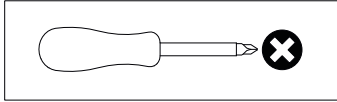
HARDWARE REQUIRED

B		06
D		02

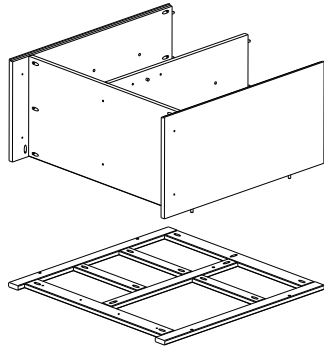


STEP 4

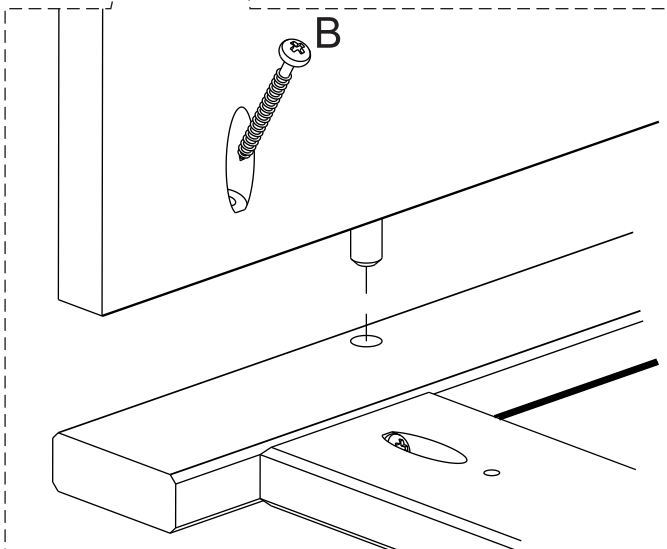
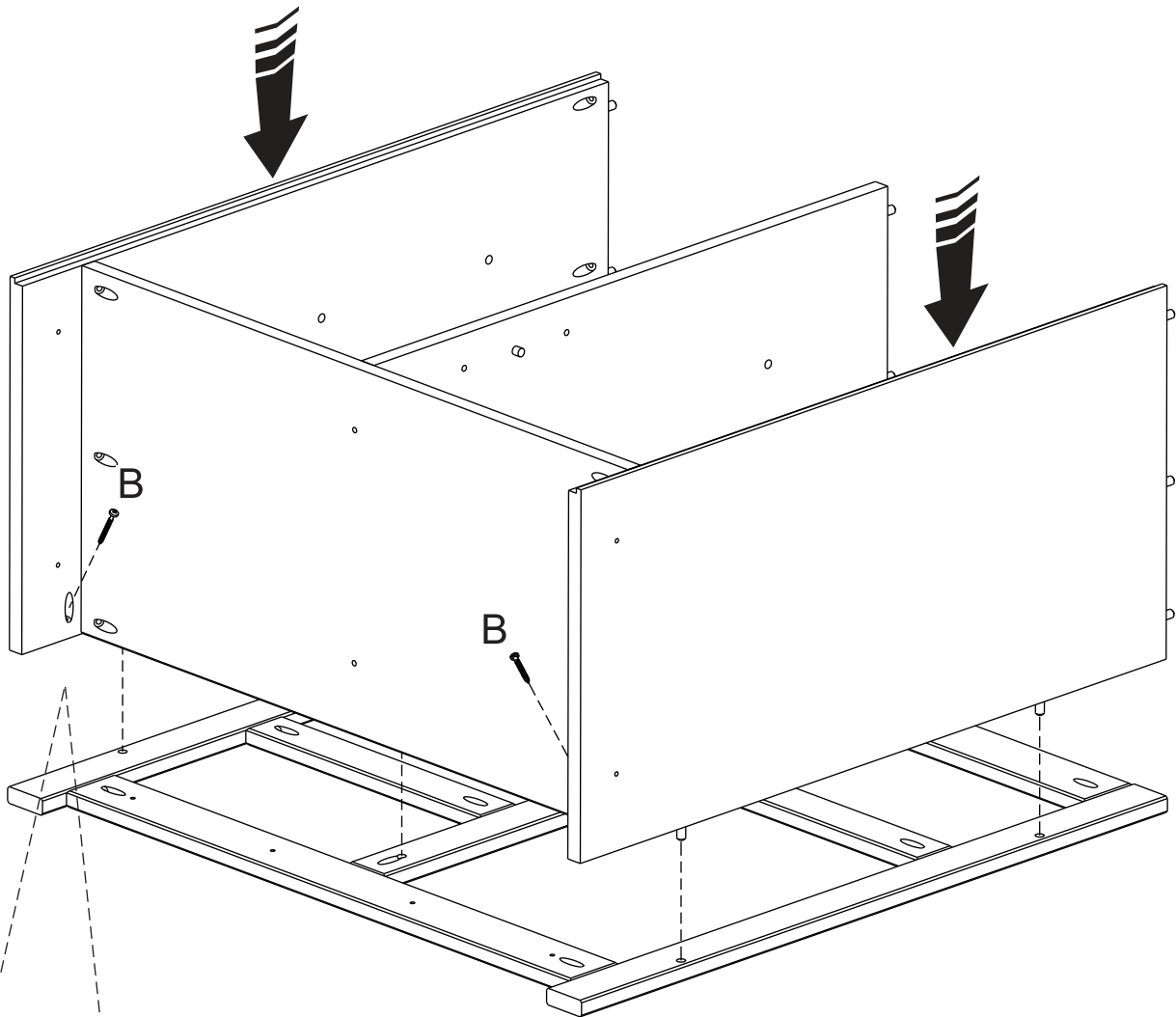
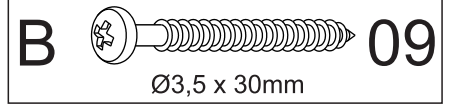
TOOLS REQUIRED



PARTS REQUIRED

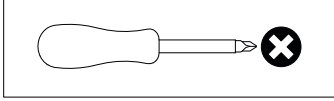


HARDWARE REQUIRED



STEP 5

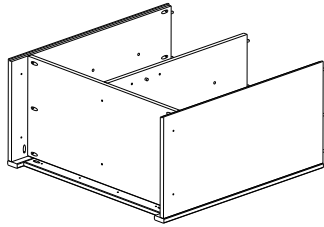
TOOLS REQUIRED



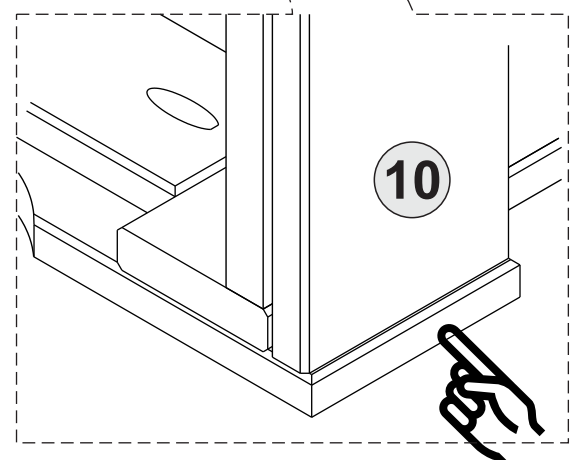
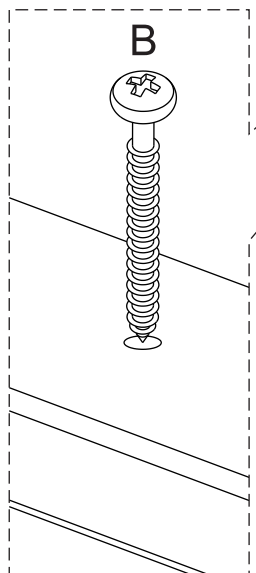
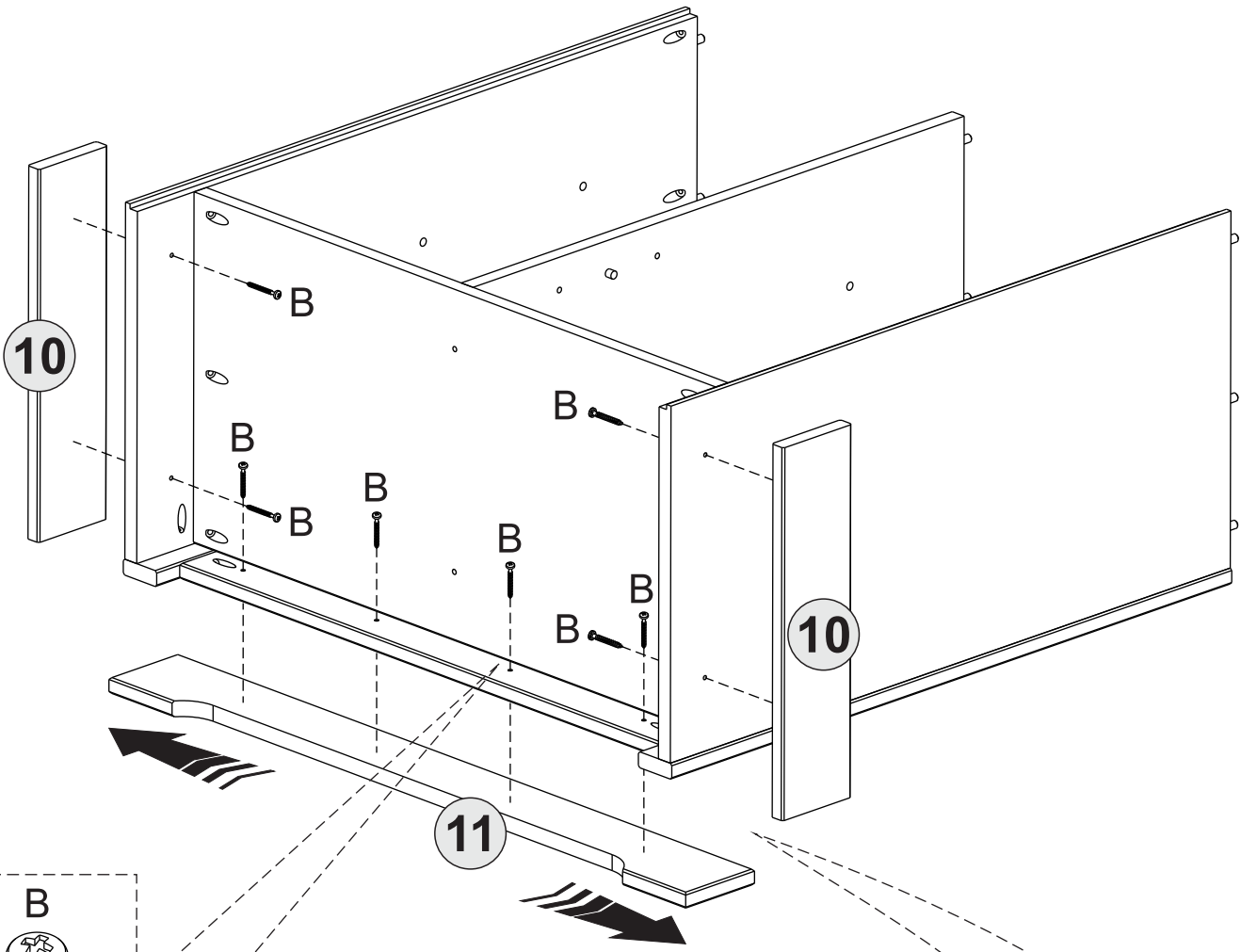
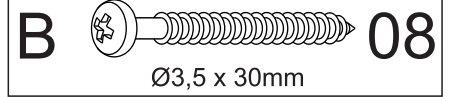
PARTS REQUIRED

10 - SIDE FOOT x2

11 - FRONT FOOT x1



HARDWARE REQUIRED




STEP 6

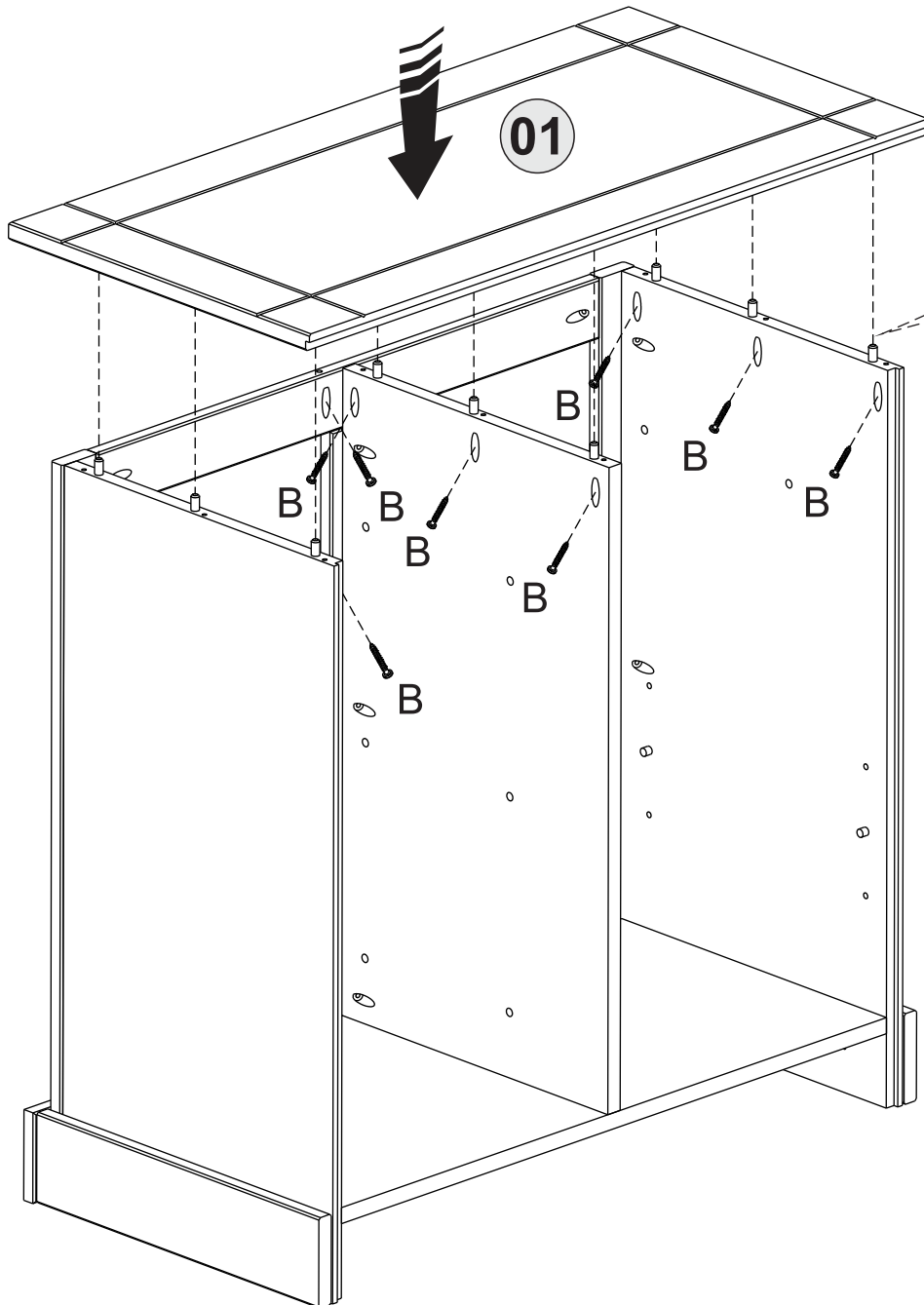
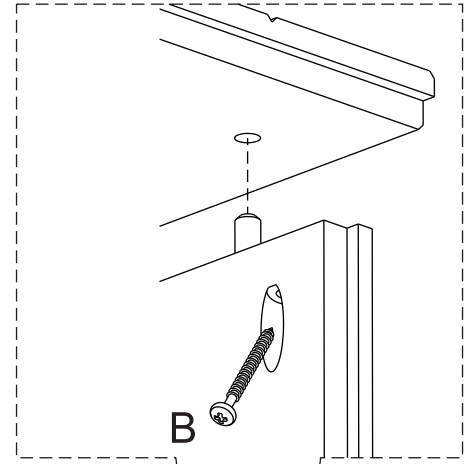
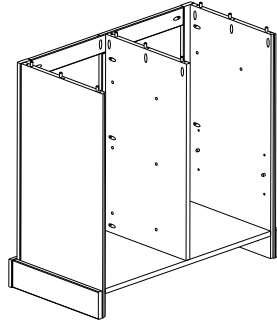
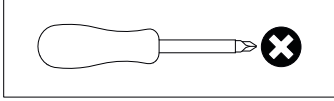
PARTS REQUIRED

1 - TOP PANEL **x1**

HARDWARE REQUIRED

B  **10**
Ø3,5 x 30mm

TOOLS REQUIRED

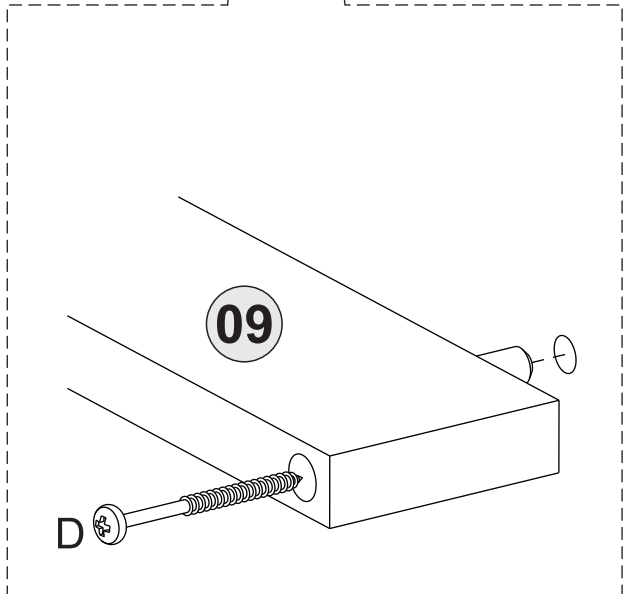
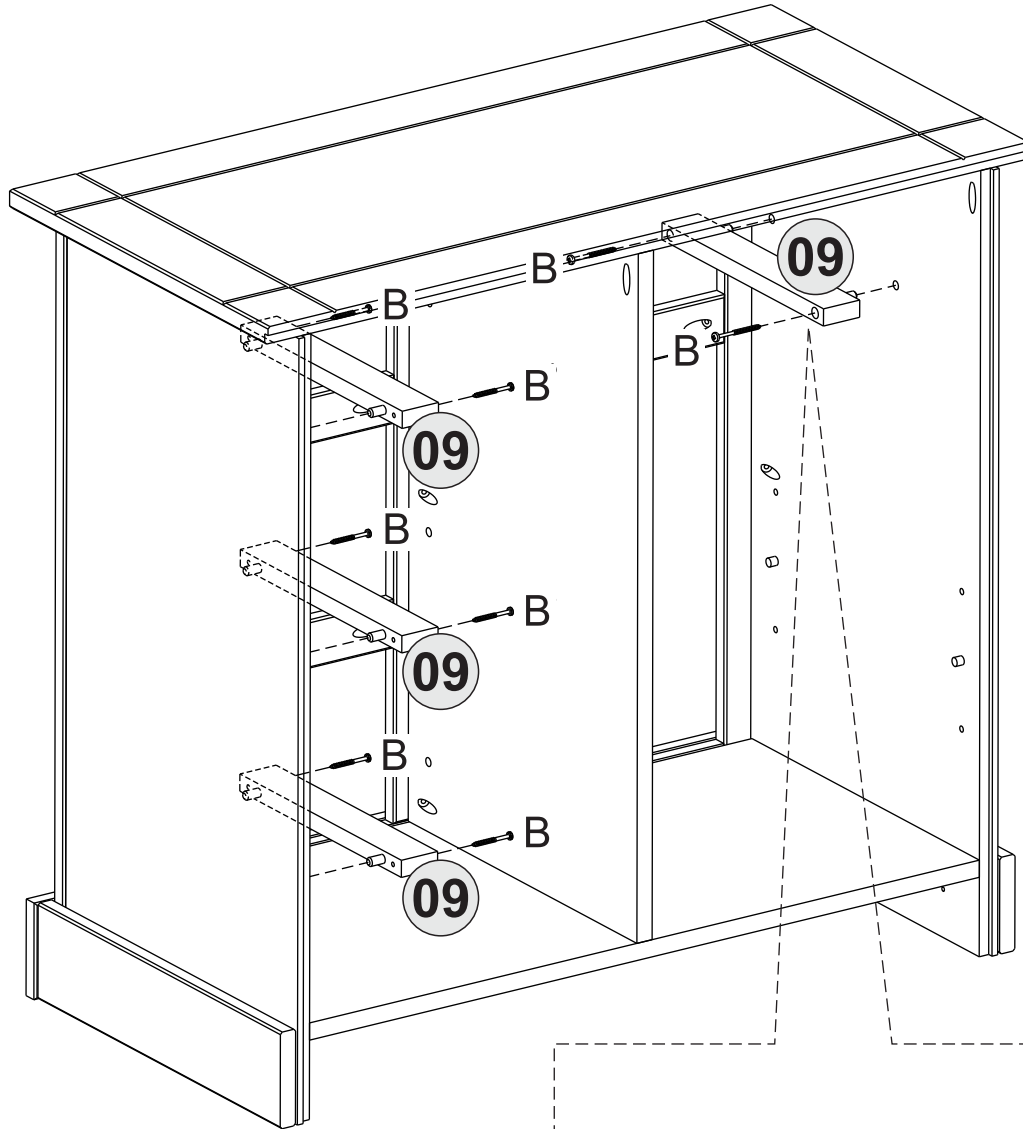
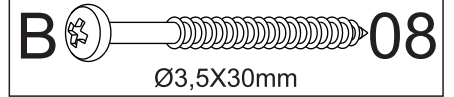
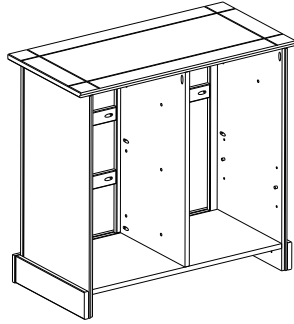
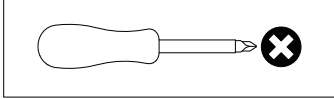


STEP 7

PARTS REQUIRED
9 - DRAWER RUNNER x4

HARDWARE REQUIRED

TOOLS REQUIRED




STEP 8

PARTS REQUIRED

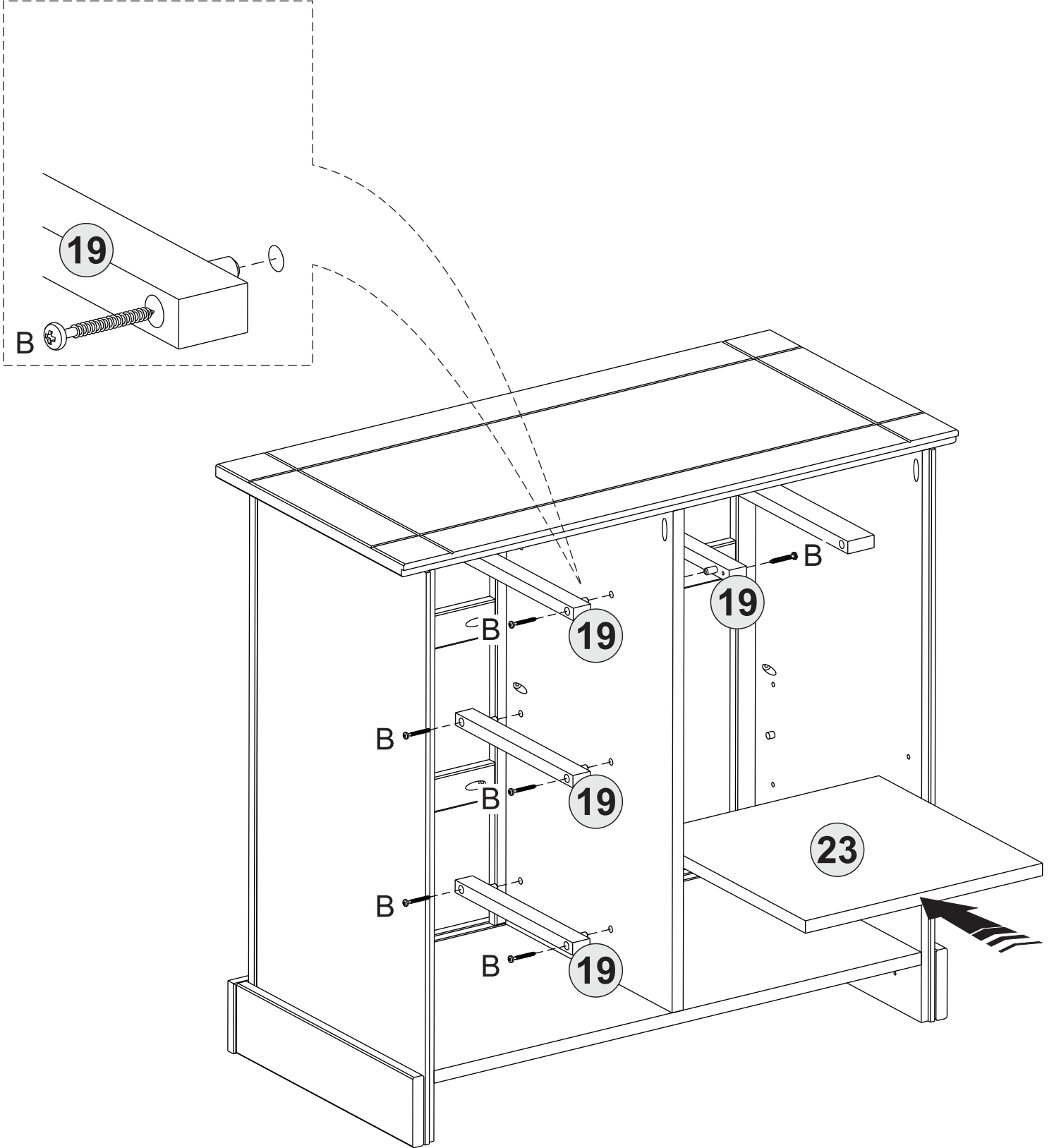
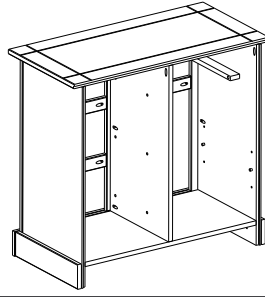
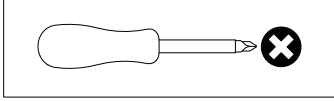
19 - CENTRAL DRAWER RUNNER **x4**

23 - SHELF MOVEL **x1**

HARDWARE REQUIRED

B  **08**
Ø3,5 x 30mm

TOOLS REQUIRED

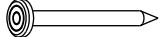



STEP 9

PARTS REQUIRED

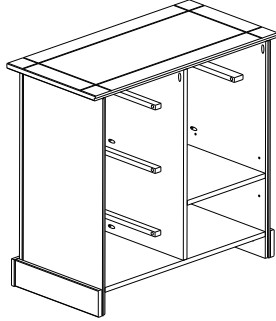
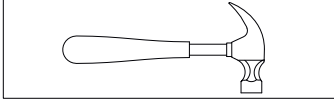
8 - BACK PANEL x2

HARDWARE REQUIRED

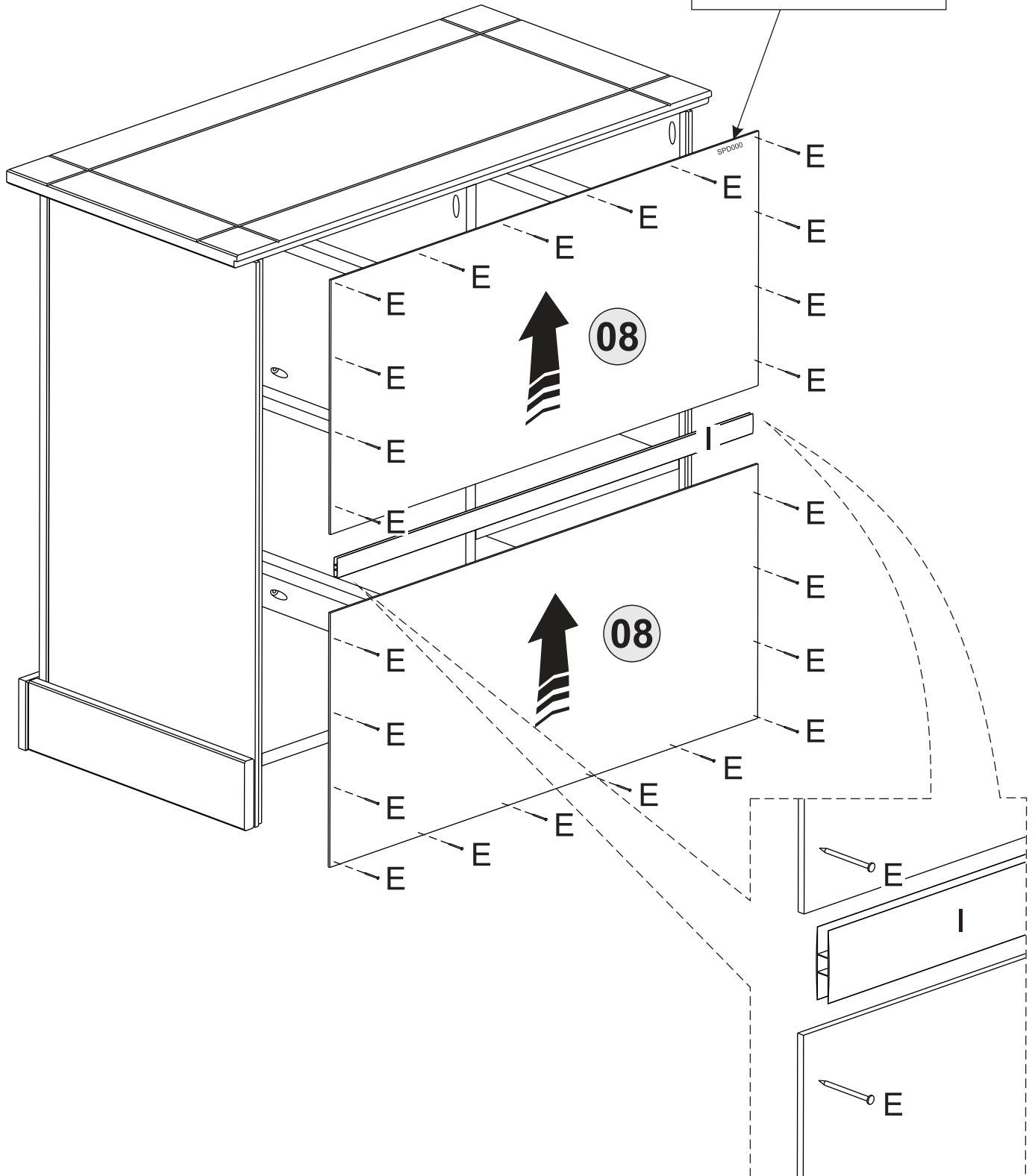
E  **24**
8 x 8mm

I  **01**
700mm

TOOLS REQUIRED



* For your future reference
Order Number should be here




STEP 10

PARTS REQUIRED

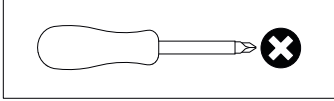
12 - DRAWER FRONT **x4**

13 - DRAWER SIDE **x8**

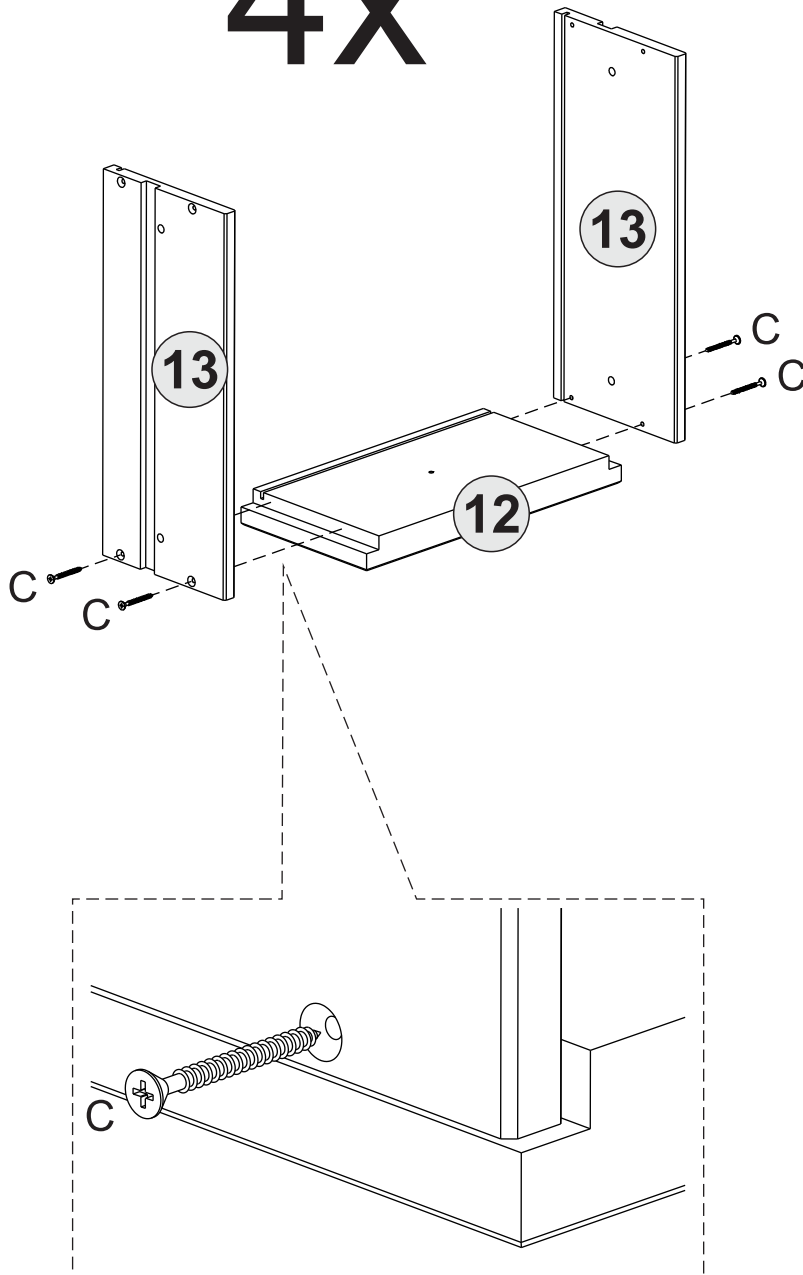
HARDWARE REQUIRED

C  **16**
Ø3,0 x 30mm

TOOLS REQUIRED



4x




STEP 11

PARTS REQUIRED

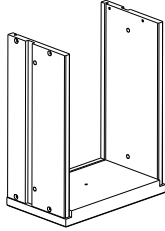
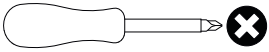
14 - DRAWER BOTTOM **x4**

15 - DRAWER BACK **x4**

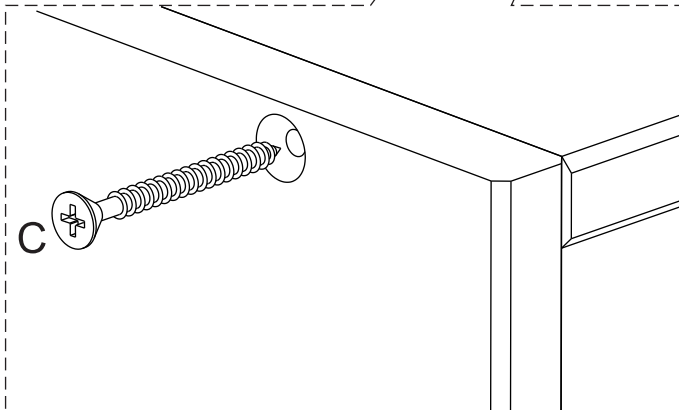
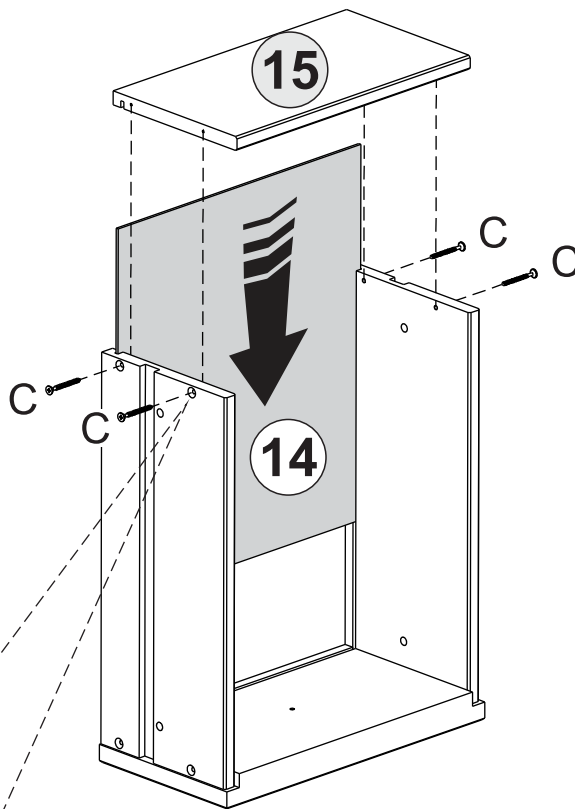
HARDWARE REQUIRED

C  **16**
Ø3,0 x 30mm

TOOLS REQUIRED



4x

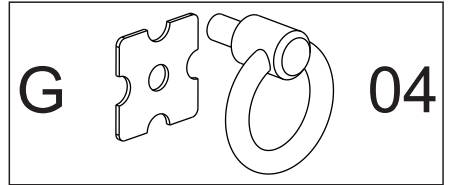
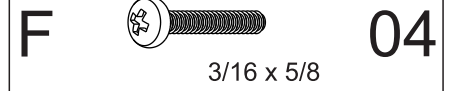
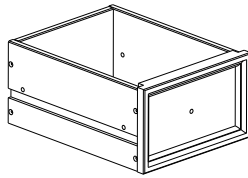
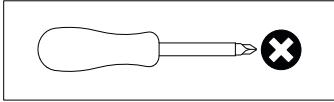


STEP 12

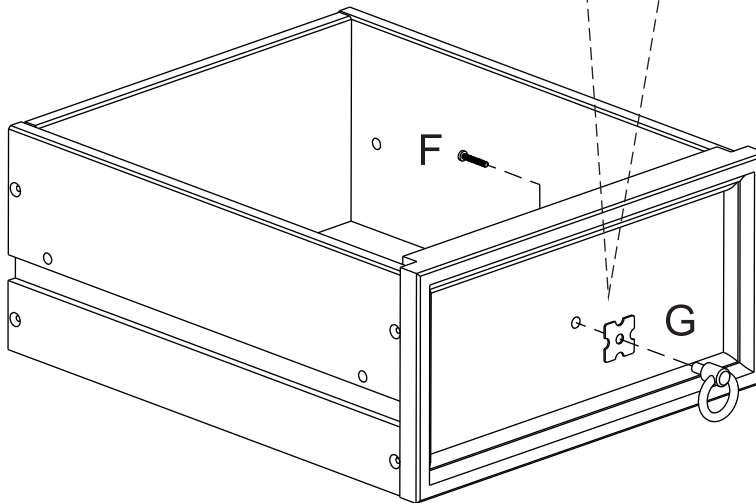
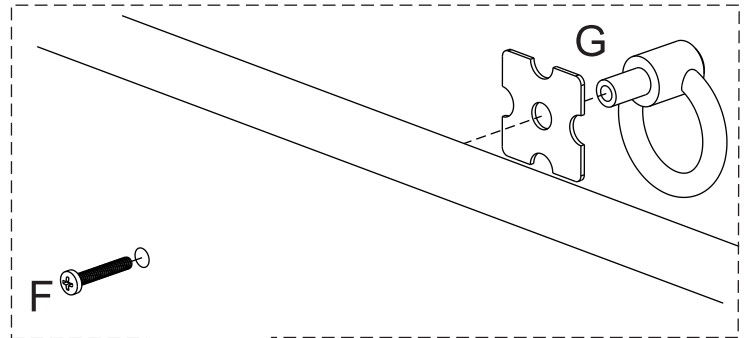
PARTS REQUIRED

HARDWARE REQUIRED

TOOLS REQUIRED

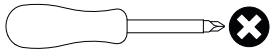


4x

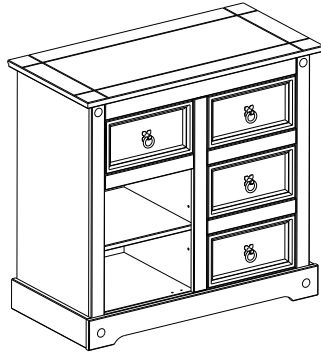


STEP 14


TOOLS REQUIRED

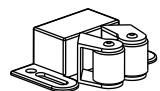


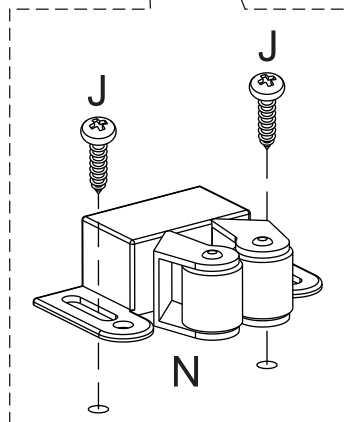
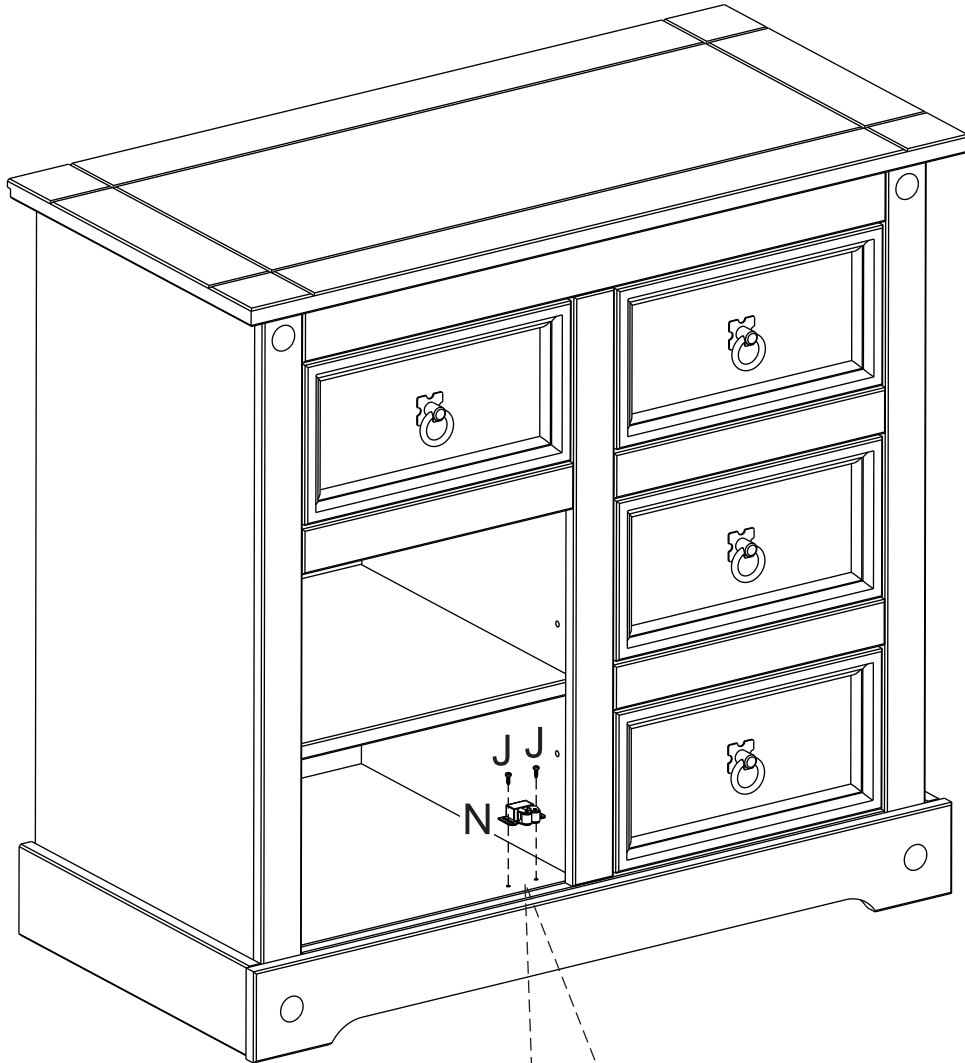
PARTS REQUIRED



HARDWARE REQUIRED

J  **02**
Ø3,5 x 14mm

N  **01**



STEP 15

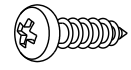
PARTS REQUIRED

24 - DOOR

x1

HARDWARE REQUIRED

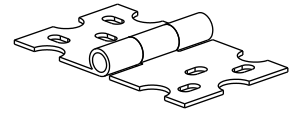
J



Ø3,5 x 14mm

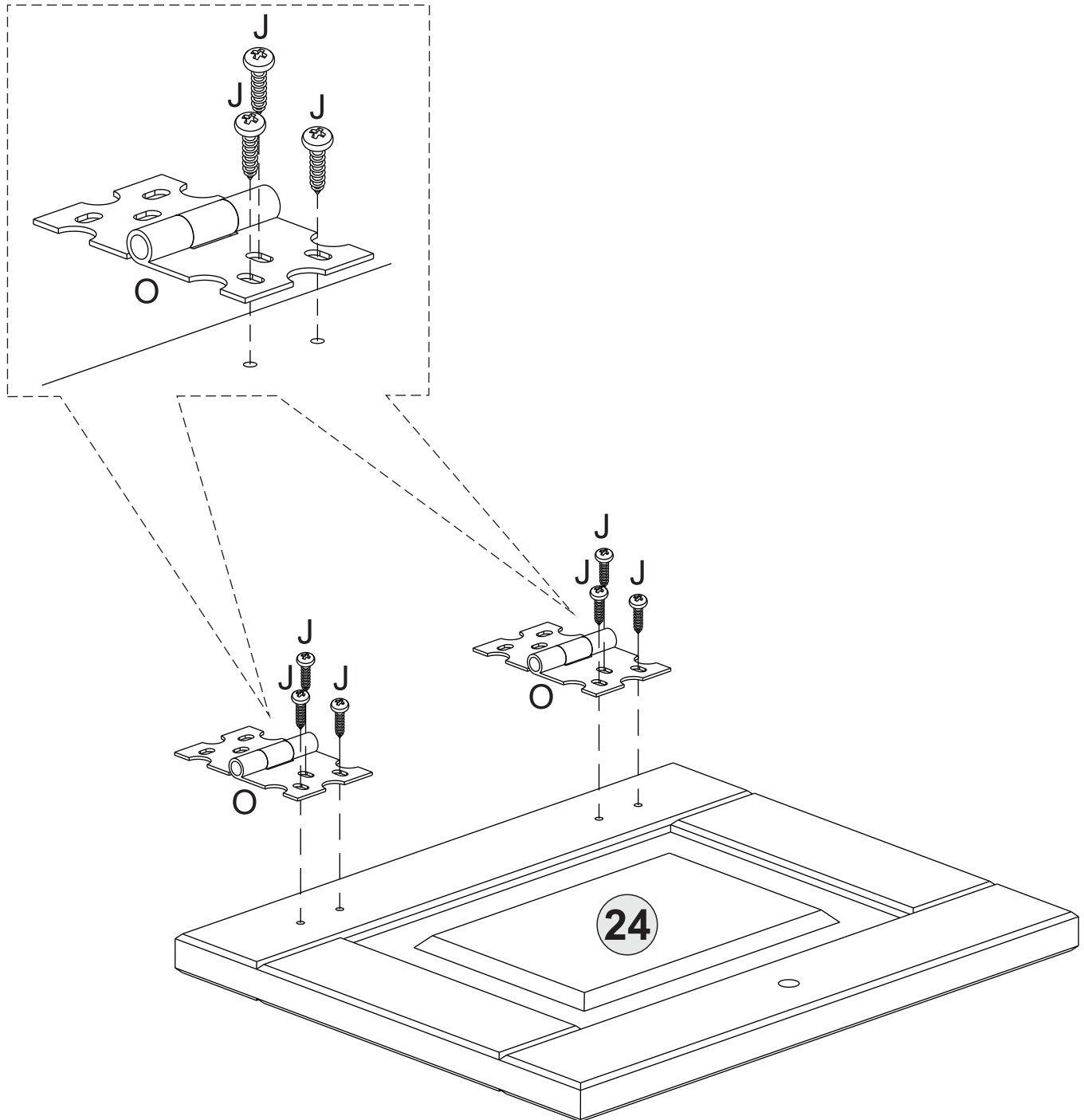
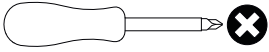
06

O



02

TOOLS REQUIRED



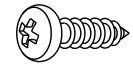
STEP 16

PARTS REQUIRED

HARDWARE REQUIRED

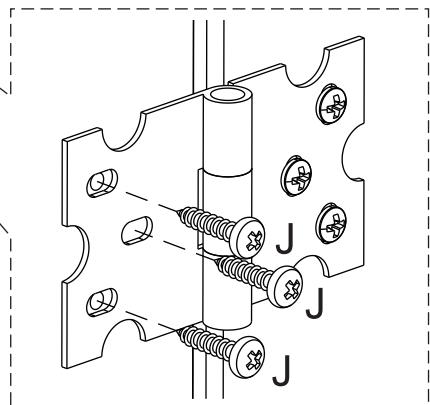
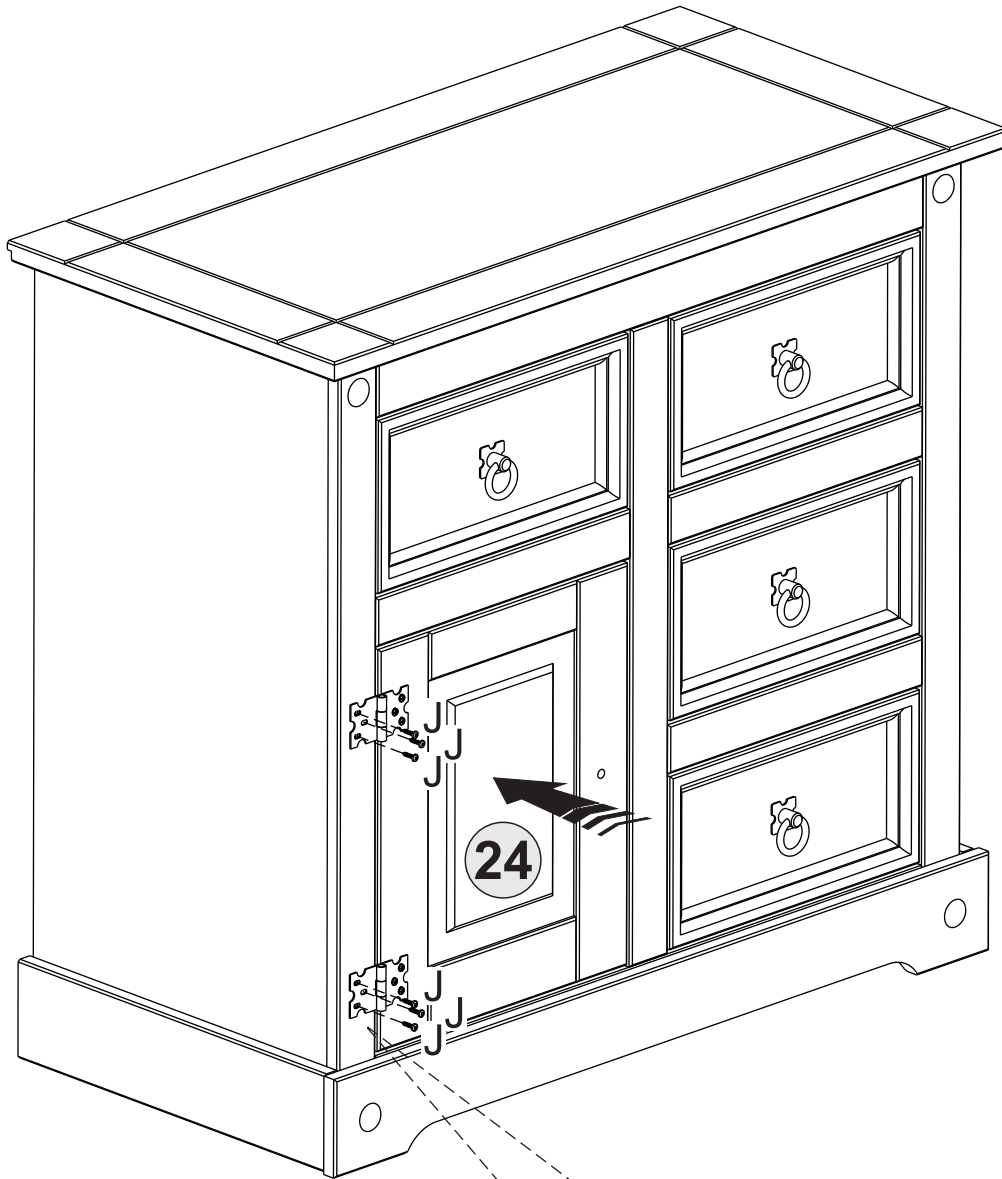
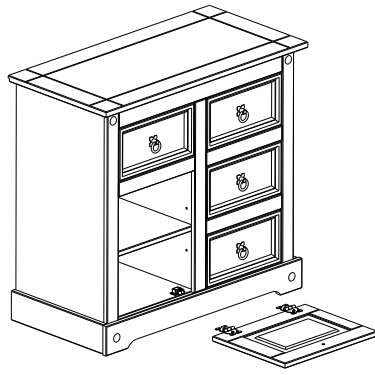
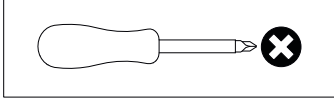
TOOLS REQUIRED

J



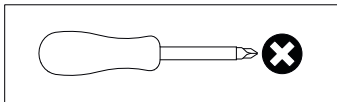
06

Ø3,5 x 14mm

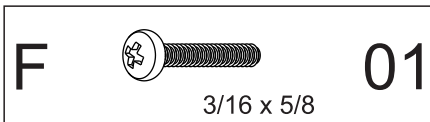
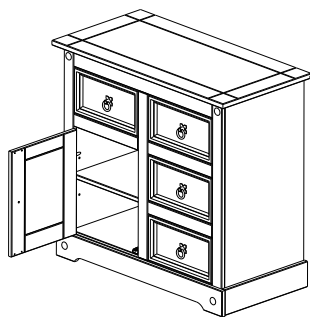


STEP 17

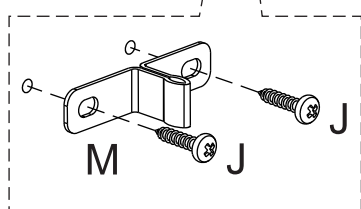
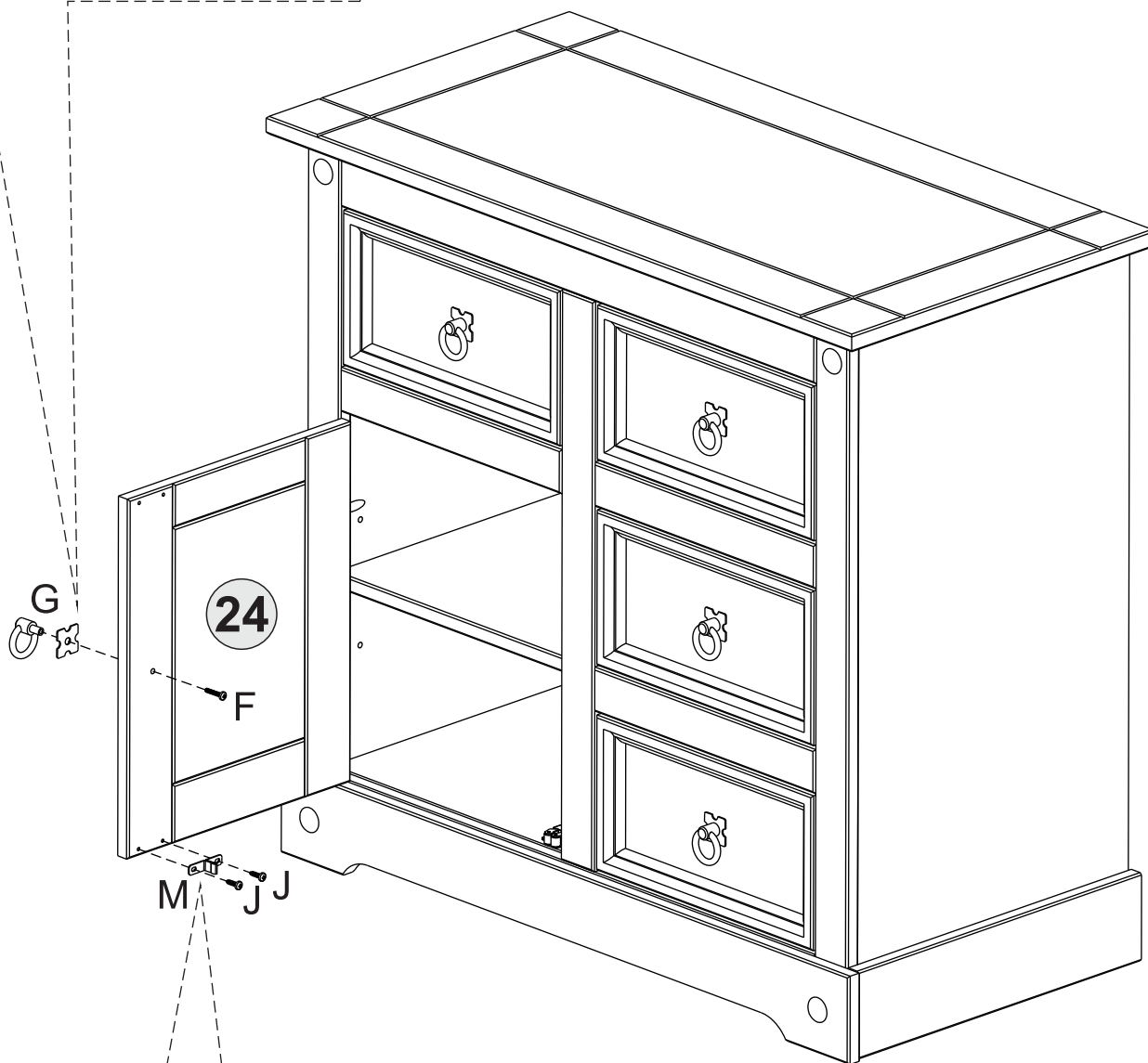
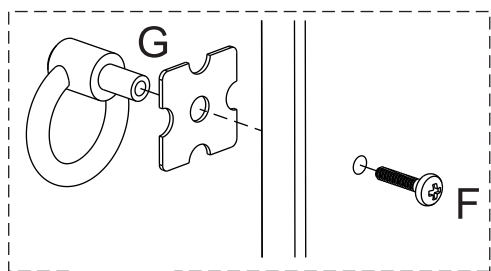
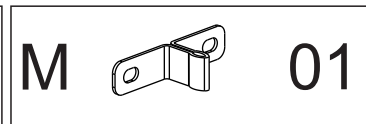
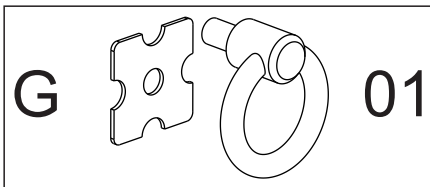
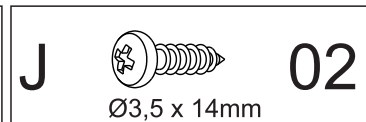
TOOLS REQUIRED



PARTS REQUIRED



HARDWARE REQUIRED



WARNING

Serious or fatal injuries can occur from furniture tipping over. To prevent the furniture from tipping over we recommend that it is permanently fixed to the wall.

Wall fixings are not supplied with this product as different wall materials require different types of fixing devices.

Please make sure you use fixings suitable for the walls in your home.

