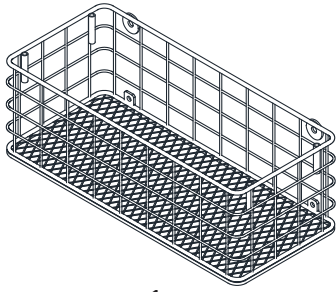
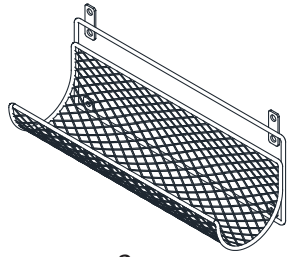


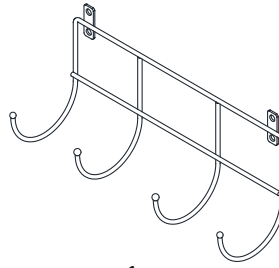
# Assembly Instructions



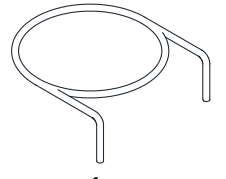
1pc  
A



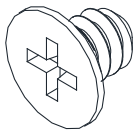
3pcs  
B



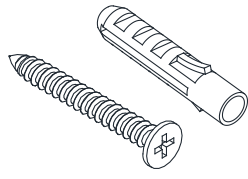
1pc  
C



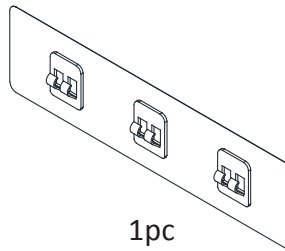
1pc  
D



10pcs  
①

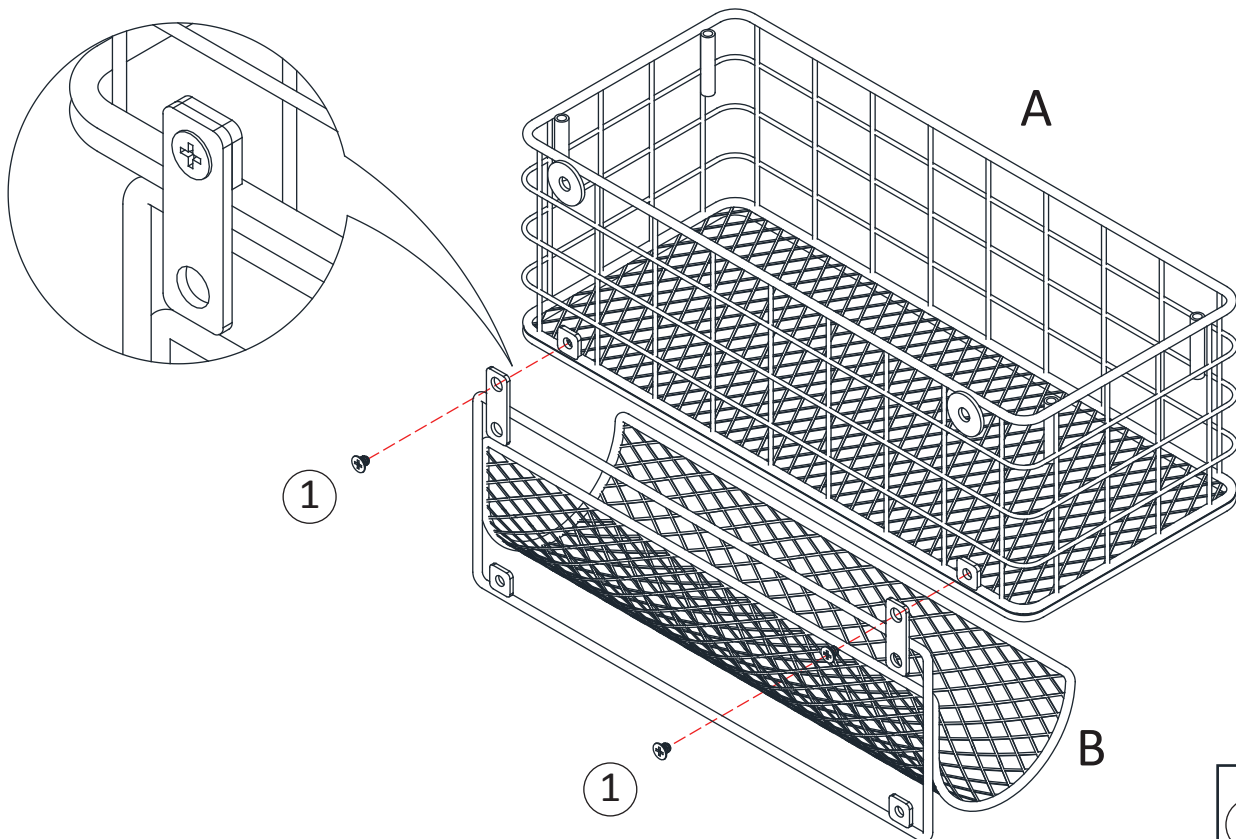


10pcs  
②

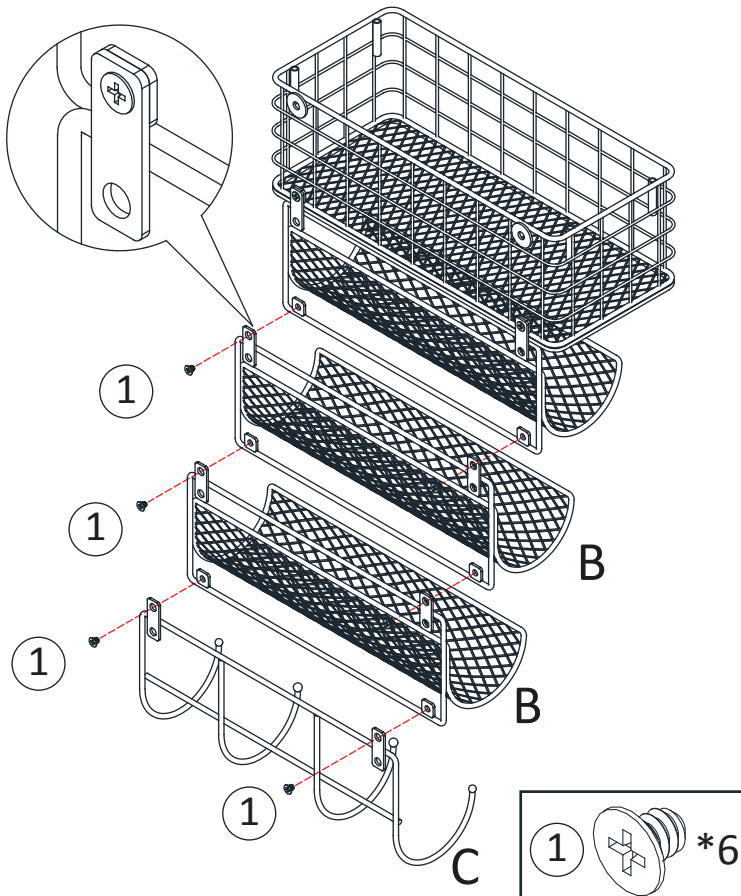


1pc  
③

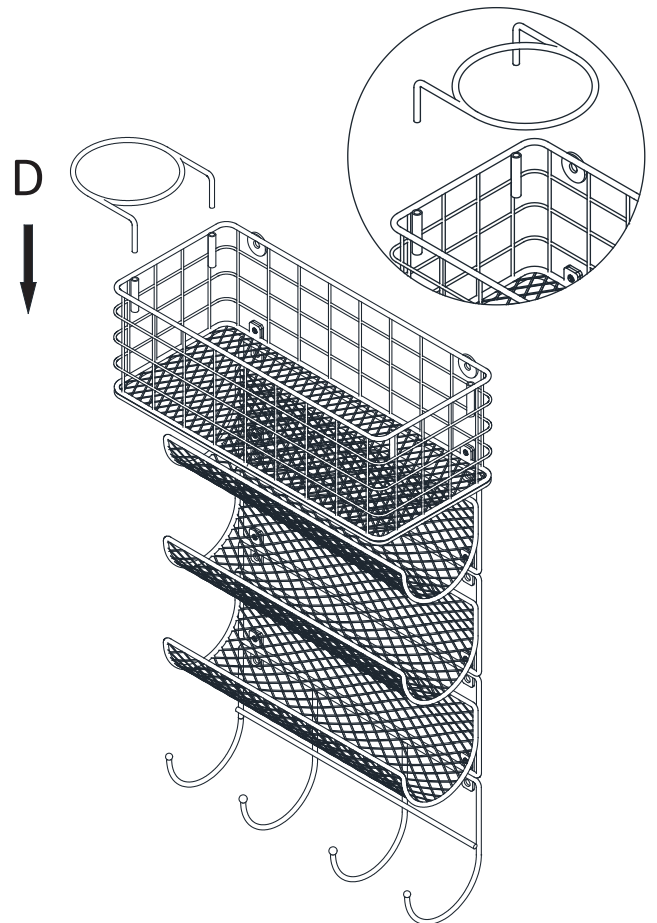
1. Basket A and mesh B are connected with screw ①.



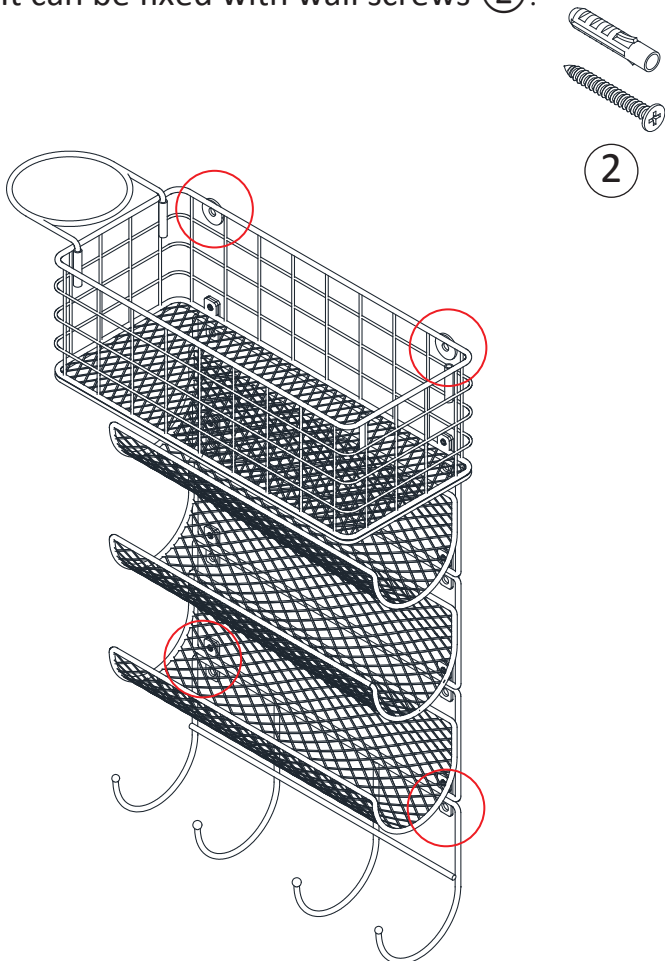
2. Connect B\B\C with screw ① in turn.



3. Insert the iron ring D into the basket, and the iron ring D can change position.



4. It can be fixed with wall screws ②.



5. It can also be fixed with non-marking stickers ③.

