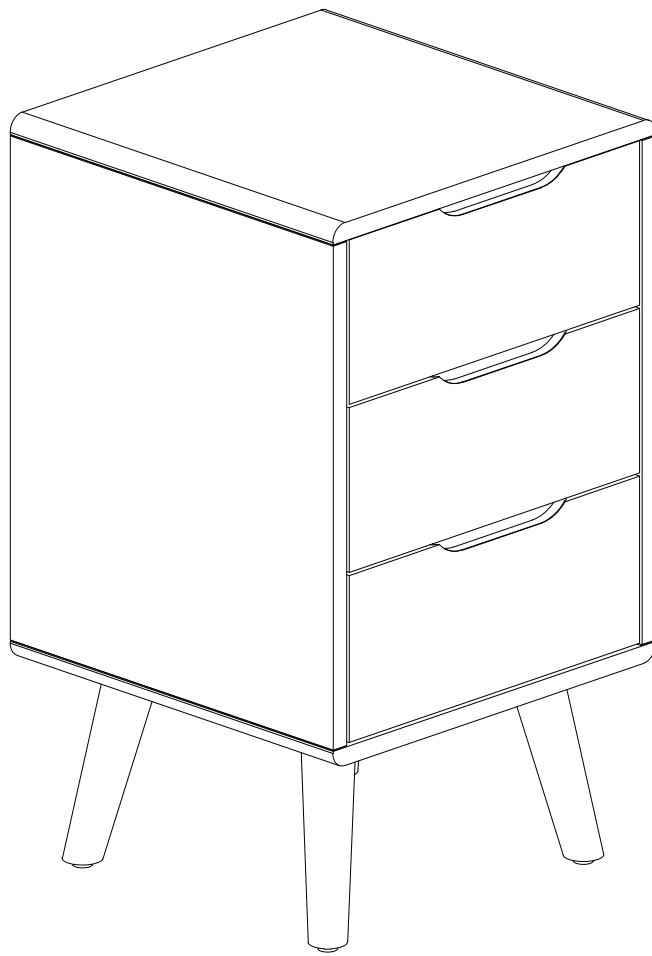
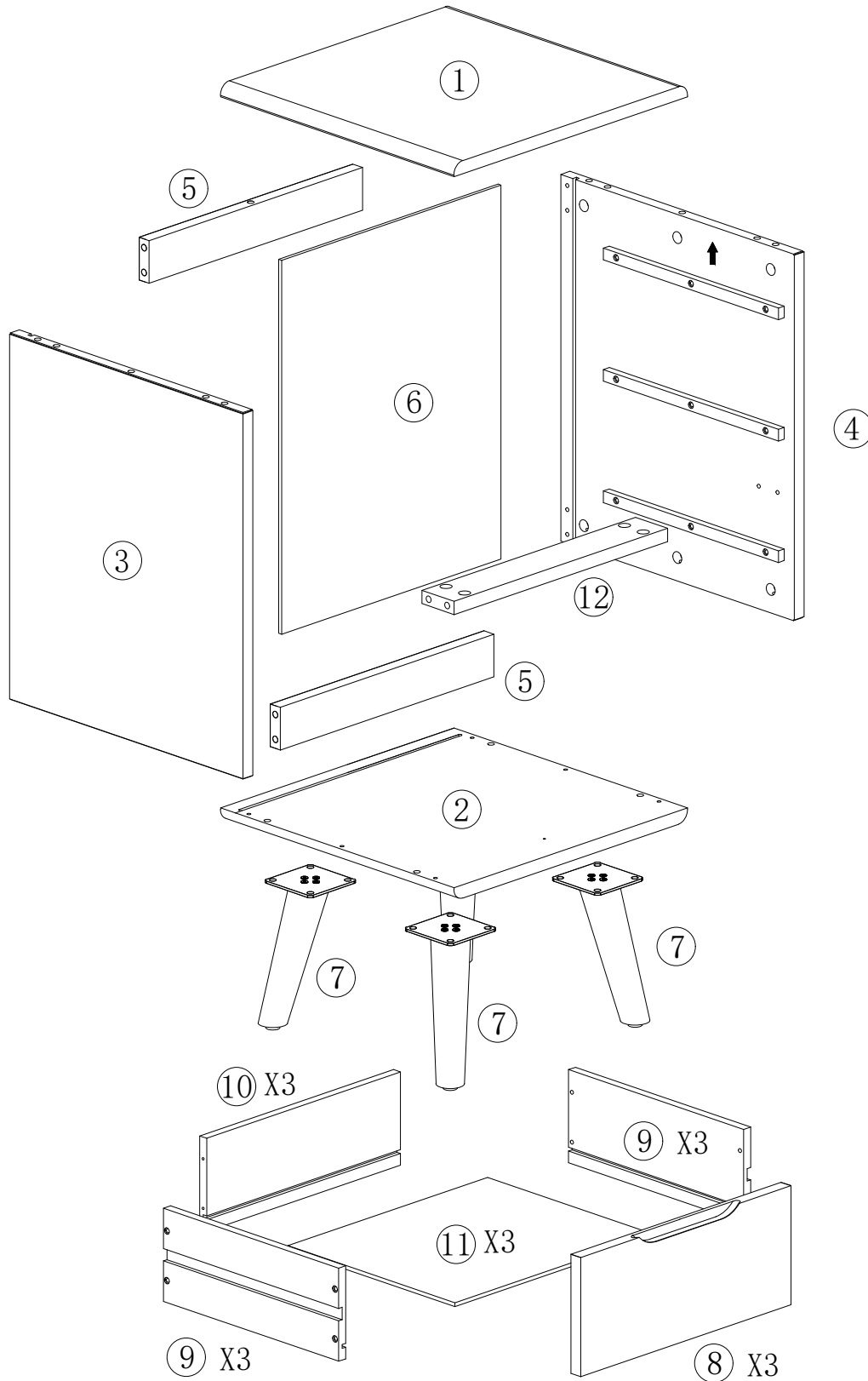


Solid Wood Nightstand

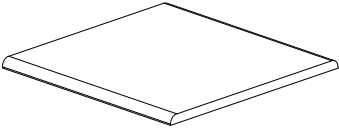
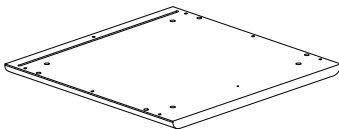
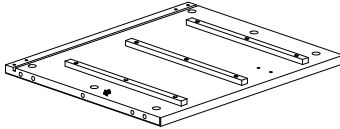
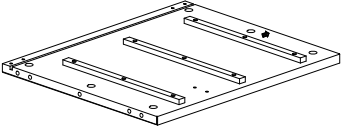
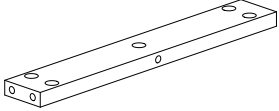
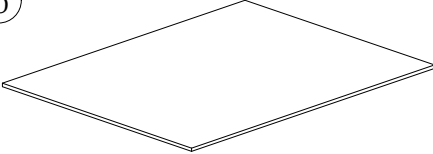
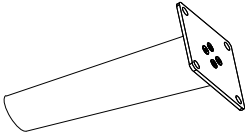
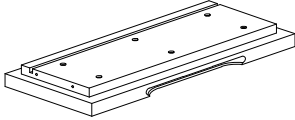
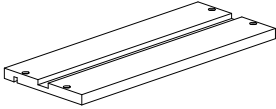
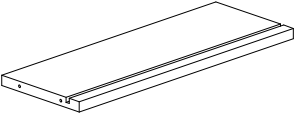
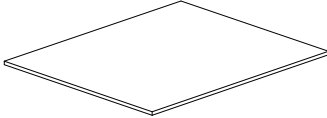
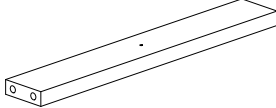


Assembly Instructions



Product Specifications: Three-Drawer Nightstand

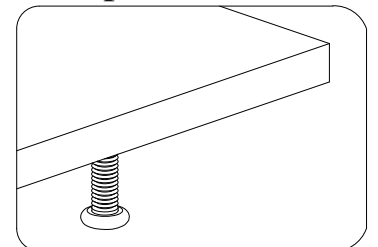
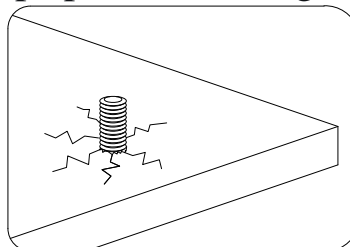
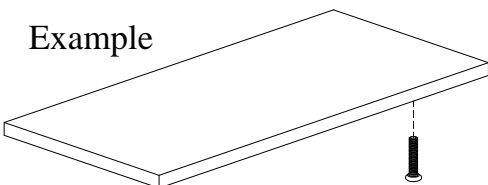
Parts List

<p>①</p>  <p>400*400*17MM 1PC</p>	<p>②</p>  <p>400*400*17MM 1PC</p>	<p>③</p>  <p>472.5*400*27MM 1PC</p>
<p>④</p>  <p>472.5*400*27MM 1PC</p>	<p>⑤</p>  <p>366*55*17MM 2PCS</p>	<p>⑥</p>  <p>482*376*5MM 1PC</p>
<p>⑦</p>  <p>158* 40MM 4PCS</p>	<p>⑧</p>  <p>360*153.5*29MM 3PCS</p>	<p>⑨</p>  <p>300*120*12MM 6PCS</p>
<p>⑩</p>  <p>332*120*12MM 3PCS</p>	<p>⑪</p>  <p>342*286*5MM 3PCS</p>	<p>⑫</p>  <p>366*55*17MM 1PCS</p>

Note

Using the correct screws helps prevent damage to the components

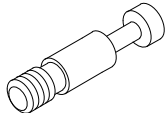


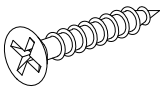
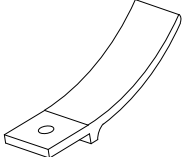
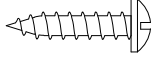
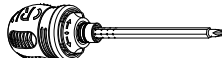
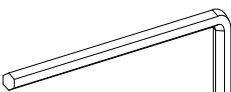

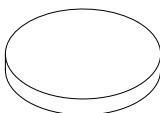
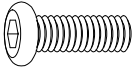
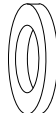
Example



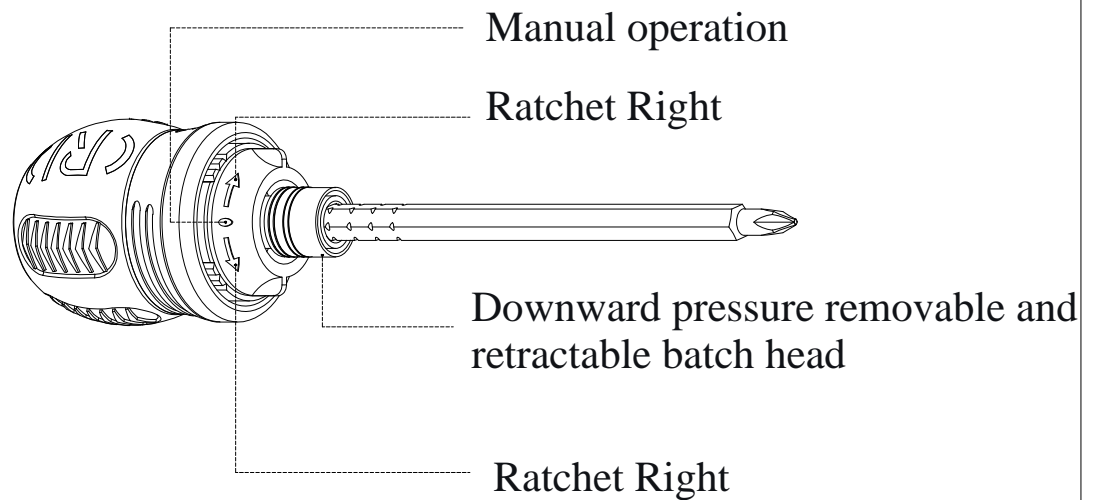
To prevent the wood from splitting, ensure you are using the correct screw size

Product Specifications: Three-Drawer Nightstand

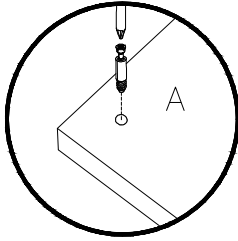
Hardware List

<p>A</p>  <p>L=40MM 26+2PCS</p>	<p>B</p>  <p>15*9MM 26+2PCS</p>	<p>C</p>  <p>8*30MM 8+1PCS</p>
<p>D</p>  <p>#8*30MM 24+2PCS</p>	<p>E</p>  <p>L=50MM 3PCS</p>	<p>F</p>  <p>#3.5*15MM 3PCS</p>
<p>G</p>  <p>M6*136MM 1PC</p>	<p>H</p>  <p>M4*100MM 1PC</p>	<p>I</p>  <p>20MM 10+1PCS</p>
<p>J</p>  <p>Φ 25*3MM 4PCS</p>	<p>K</p>  <p>M6*12MM 16+1PCS</p>	<p>L</p>  <p>M6*13MM 16+1PCS</p>

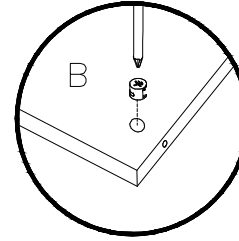
Multi-Bit Ratchet Screwdriver User Manual



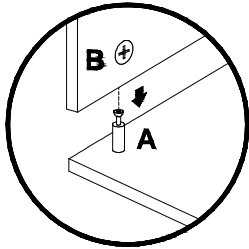
How to use the cam lock system



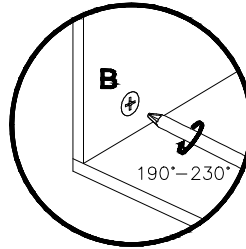
1. Screw cam bolt into panel



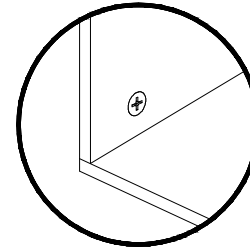
2. Push cam into panel - arrow feature on cam top points to panel edge



3. Align cam bolt(s) with cam(s) and insert all the way into cross-bored hole(s)

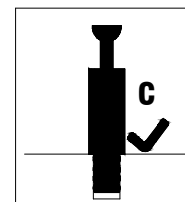
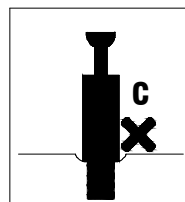
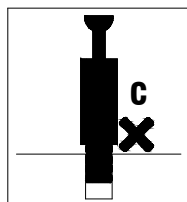
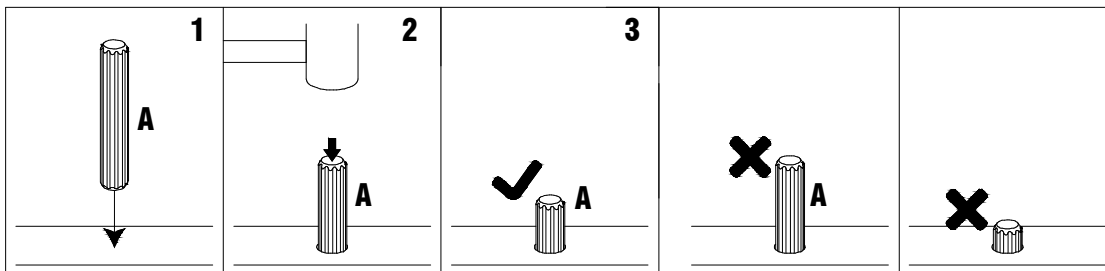


4. Rotate cam(s) clockwise 190°-230° to lock panels together



5. Panels should be tight against each other and connection should be rigid

Insert the wood dowel (A) at least half way by tapping lightly with a rubber mallet, IF NECESSARY

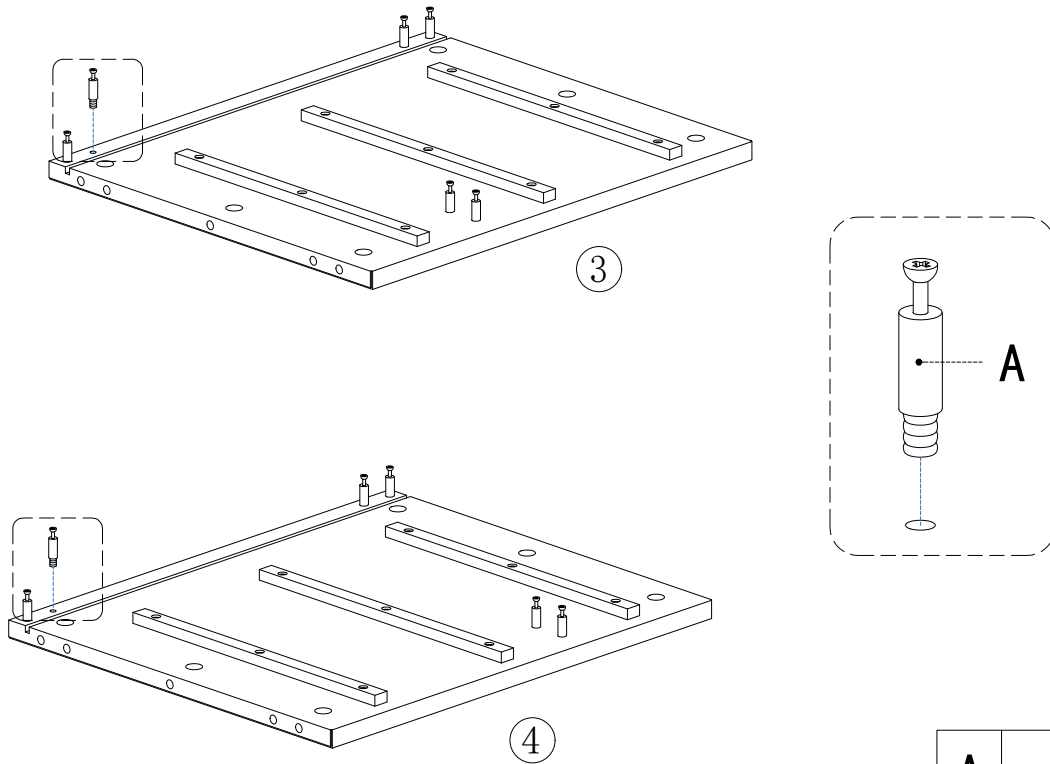



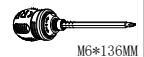
⚠ WARNING

- Unit must be placed on a level surface or leveled with included hardware (when applicable).
- Do not sit or stand on or allow children to climb, sit or stand on the assembled product.
- For safety reasons, it is imperative that this unit be mounted to the wall.
- Do not use without installing the tip restraint.
- Unit can tip over causing severe injury or death.
- Do not exceed the recommended weight limits.
- Evenly distribute the weight on each level and always keep the heavier loads on the bottom.
- Before cutting, drilling or hammering into any wall or floor surface, verify the location of electrical, plumbing and gas lines. Cutting may cause serious injury.

Product Specifications: Two-Drawer Nightstand

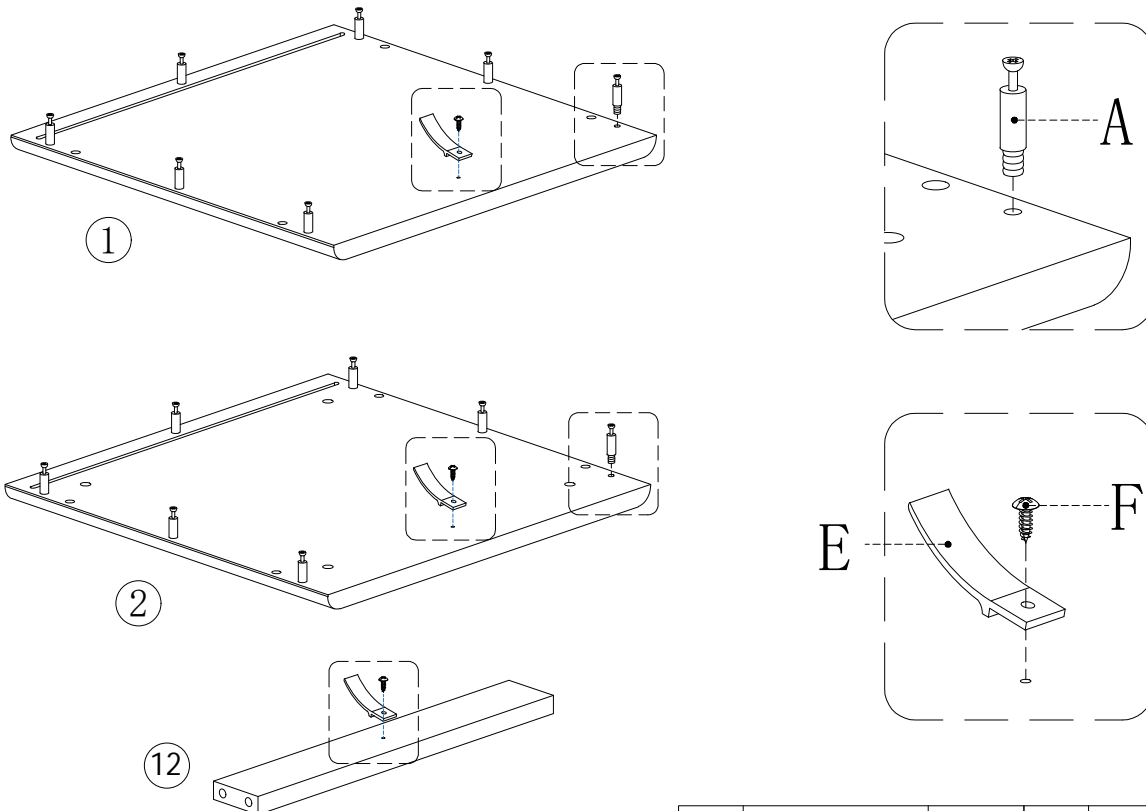
Step 1



A	 L=40MM	12PCS
G	 M6*136MM	1PC

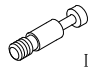


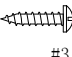
As shown, fasten Hardware A to Parts 3 and 4 using Tool G.

Step 2



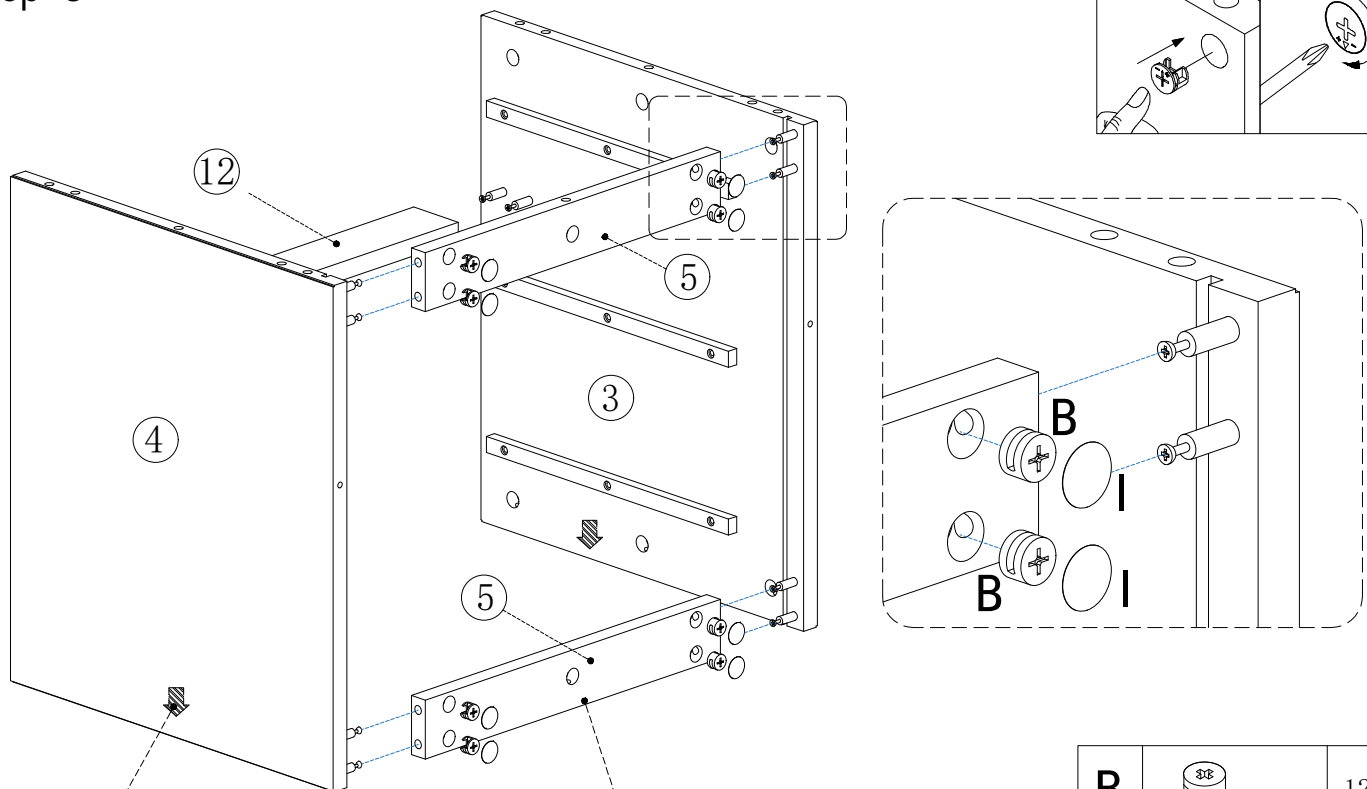
Secure Hardware A to Parts 1 and 2 with Tool G.

Attach Hardware E and F to Parts 1,2 and 12 with Tool G

A	 L=40MM	14PCS	E	 L=50MM	3PCS
G	 M6*136MM	1PC	F	 #3.5*15MM	3PCS

Product Specifications: Three-Drawer Nightstand

Step 3






upward pointing

Note the orientation of the hole in the center of part 5

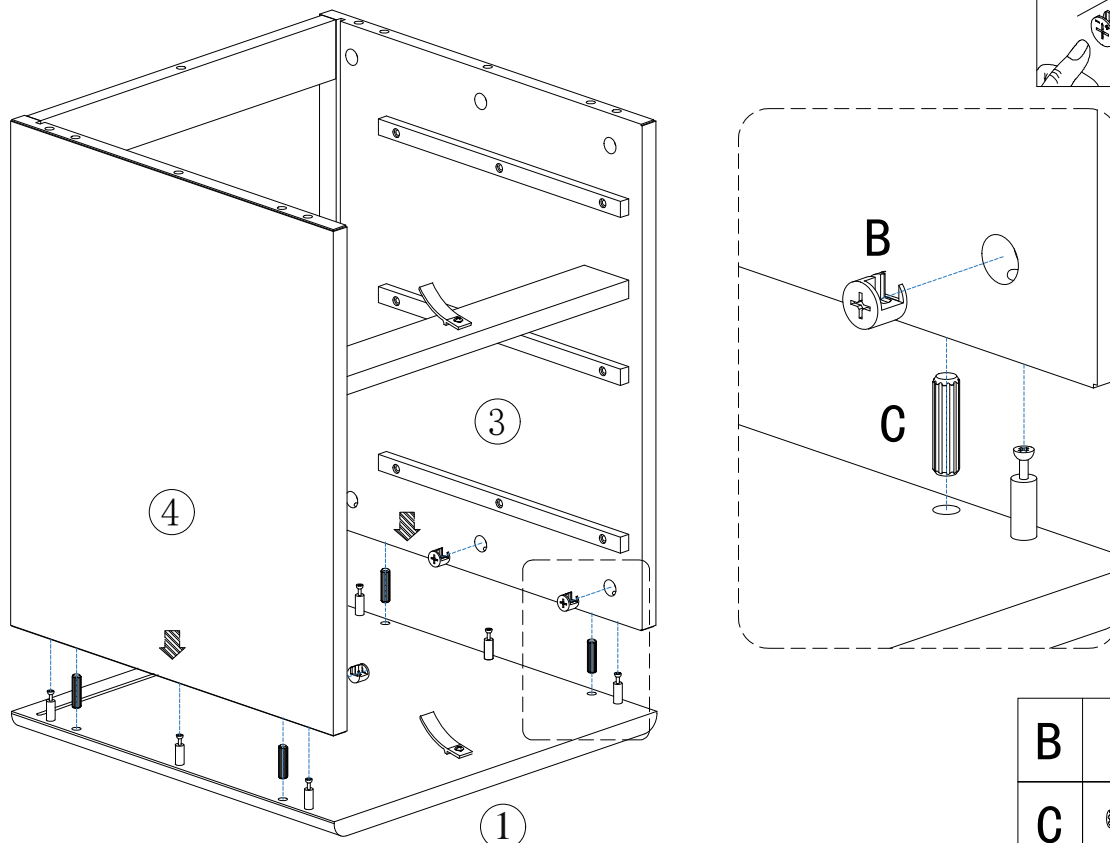
Assemble Frame: Connect Parts 3, 4, 5 and 12 with Hardware B/G.

Note orientation of Part 5's center hole.




Install Cover: Cover the hole on Part 5 with Hardware I.

B	 15*9MM	12PCS
G	 M6*136MM	1PC
I	 20MM	8PCS

Step 4

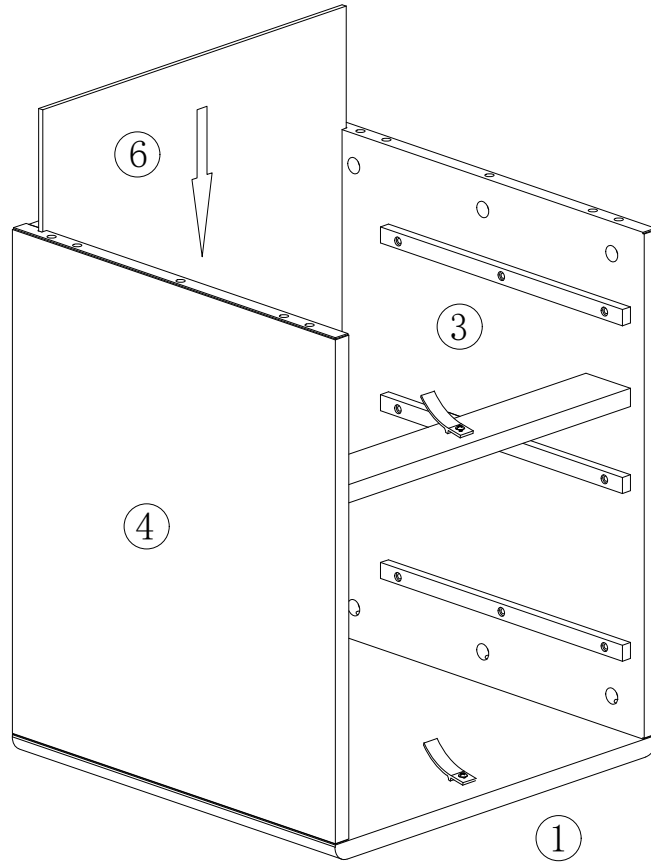


Join to Step 3: Assemble Part 1 to the sub-assembly from Step 3 using Hardware B/C/G.

B	 15*9MM	6PCS
C	 8*30MM	4PCS
G	 M6*136MM	1PC

Product Specifications: Three-Drawer Nightstand

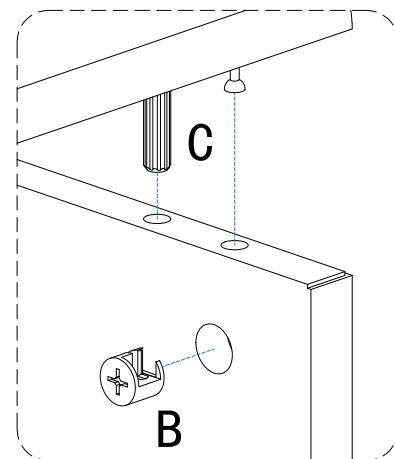
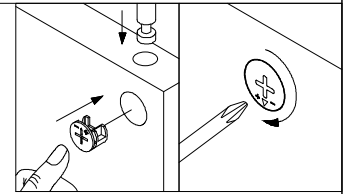
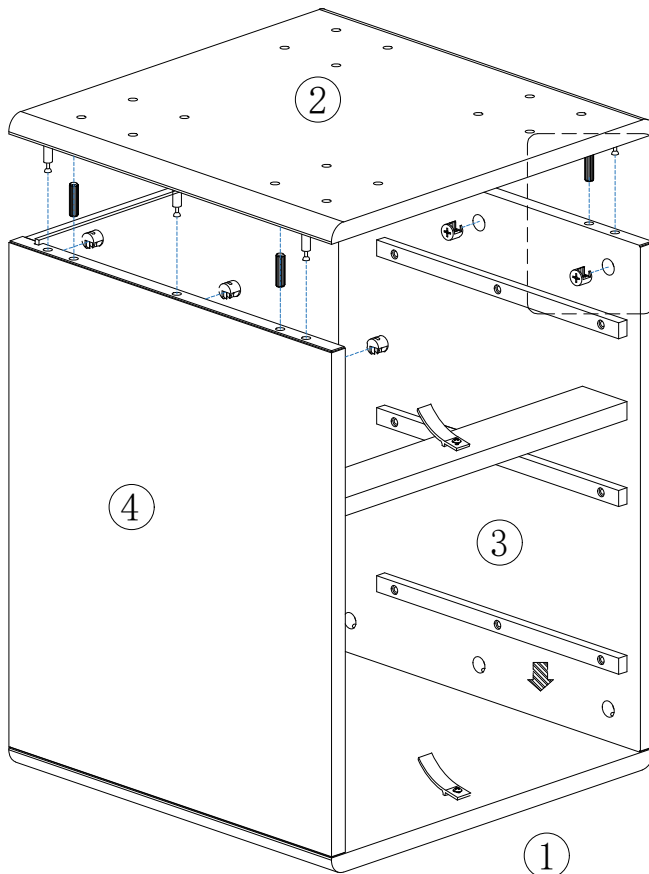
Step 5






Insert into Step 4:

Attach Part 6 by inserting it into the sub-assembly from the previous step.

Step 6

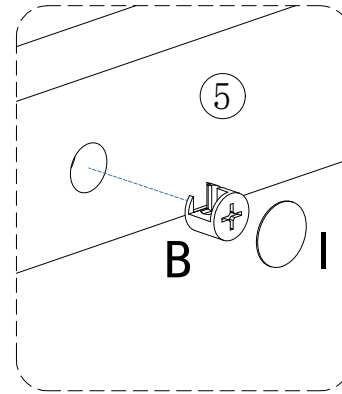
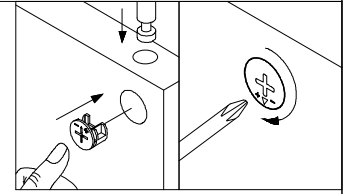
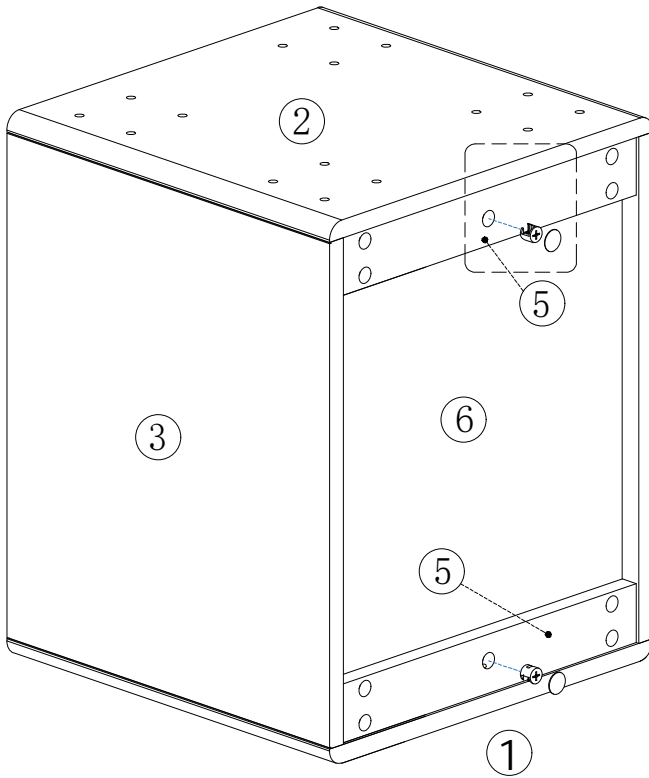





B	 15*9MM	6PCS
C	 8*30MM	4PCS
G	 M6*136MM	1PC

Join to Step 5: Connect Part 2 to the sub-assembly using Hardware B/C/G.

Product Specifications: Three-Drawer Nightstand

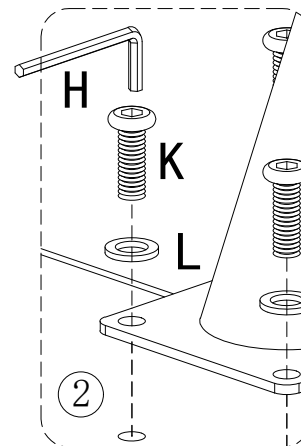
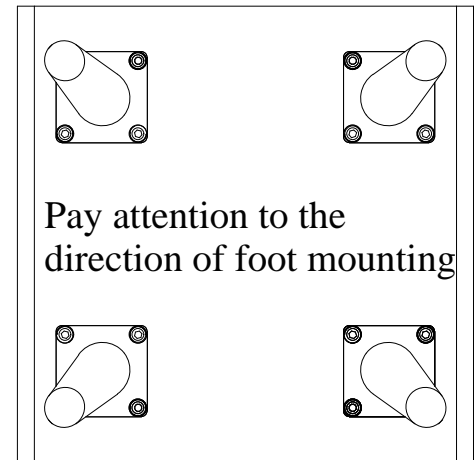
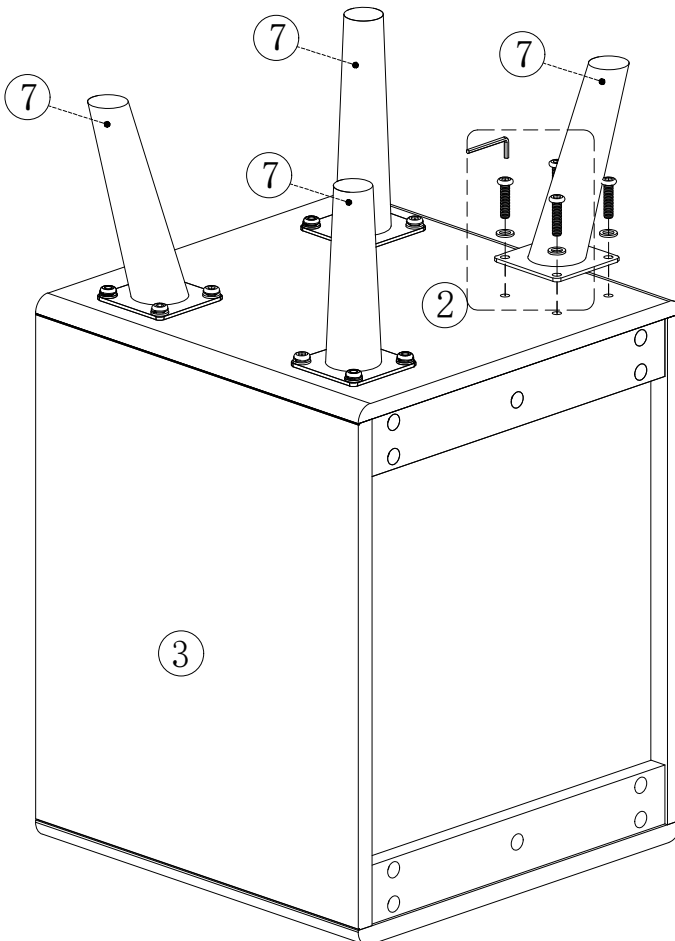
Step 7

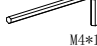




B		15*9MM	2PCS
G		M6*136MM	1PC
I		20MM	2PCS

Assemble: Connect Parts 1, 2, and 5 with Hardware B/G.
Cover: Place Hardware I over the assembly to cover

Step 8

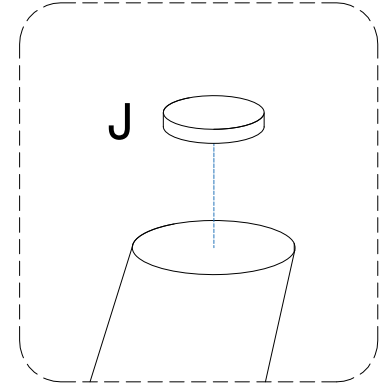
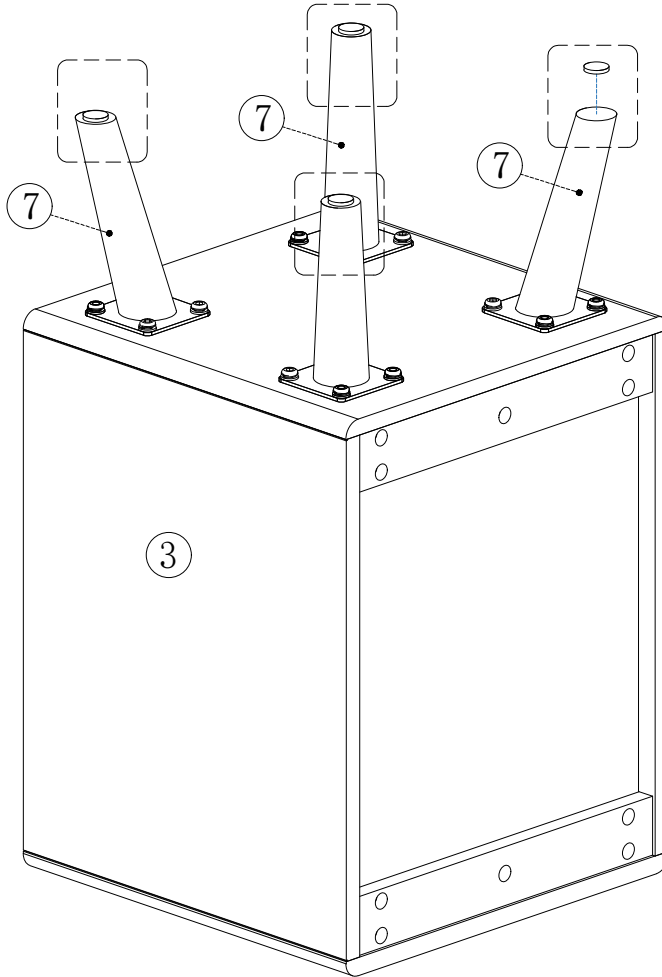


H		M4*100MM	1PC
K		M6*12MM	16PCS
L		M6*13MM	16PCS

Final Assembly: Join the Step 7 sub-assembly to Part 7 with Hardware H/K/L.

Product Specifications: Three-Drawer Nightstand

Step 9

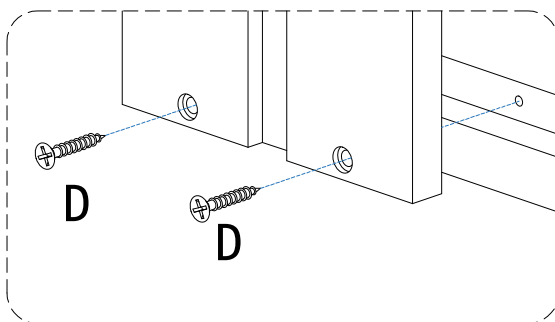
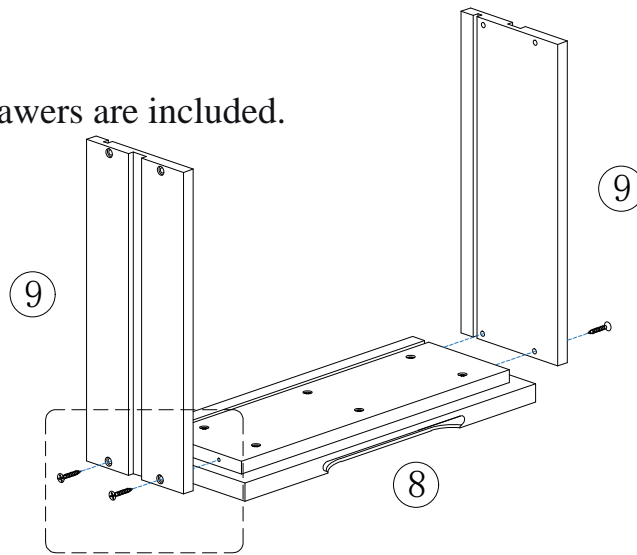


Apply Adhesive: Place Hardware J on the bottom of Part 7.

J		25*3MM	4PCS
----------	--	--------	------

Step 10

▲ Note: Three identical drawers are included.



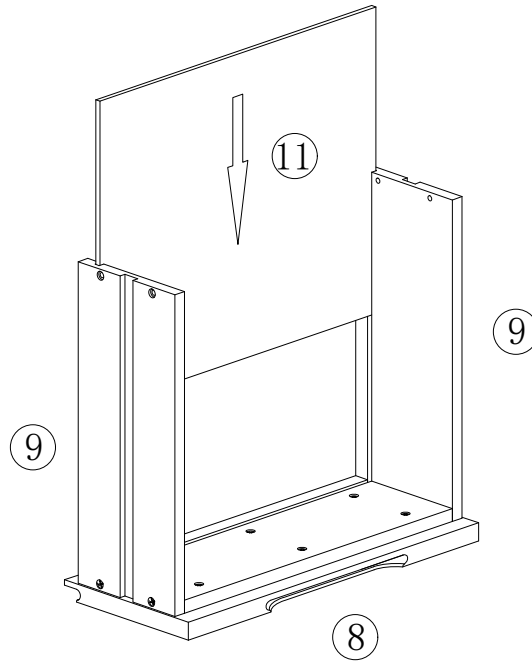
D		#8*25MM	12PCS
G		M6*136MM	1PC

Assemble Drawer: Connect Parts 8 & 9 with Hardware D/G.

Product Specifications: Three-Drawer Nightstand

Step 11

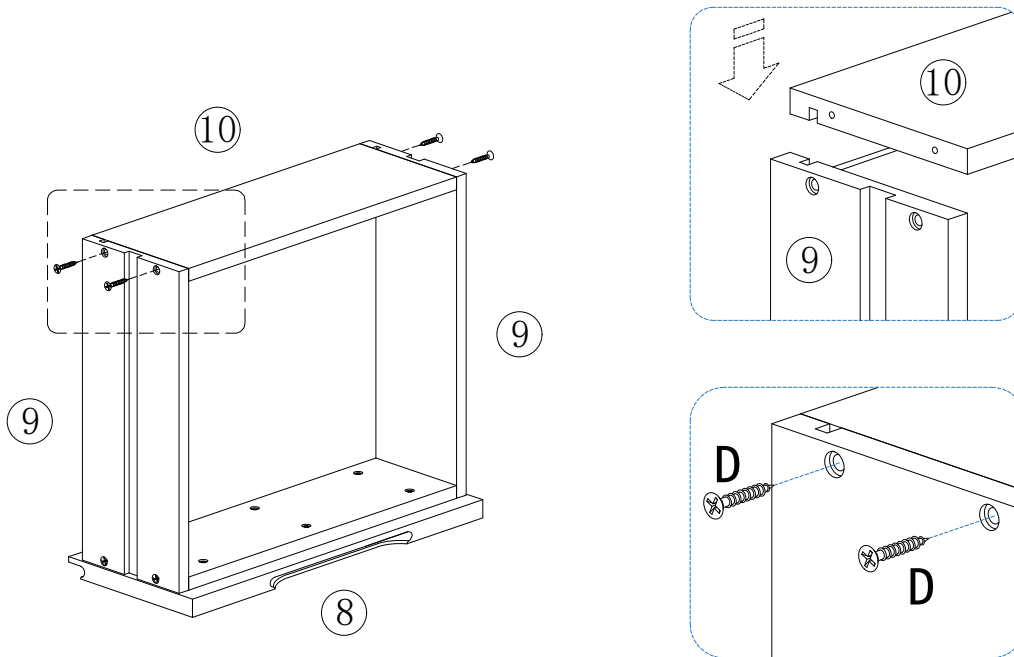
▲ Note: Three identical drawers are included.





Insert: Attach Part 11 to the Step 10 sub-assembly..

Step 12

▲ Note: Three identical drawers are included.

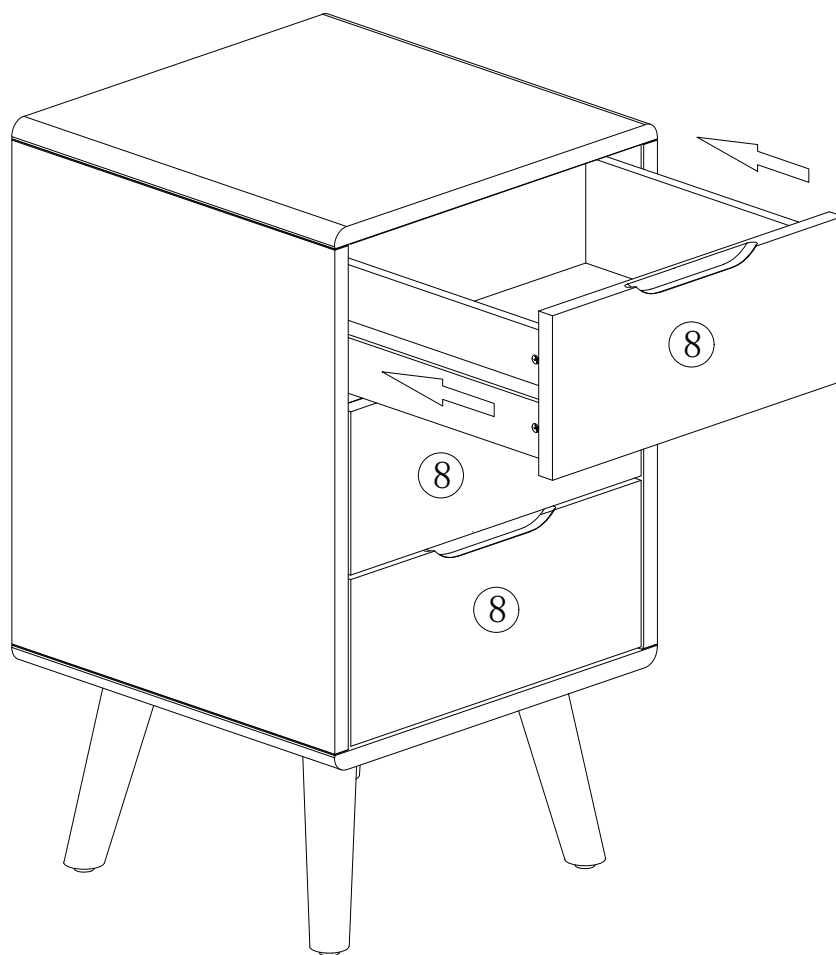


Connect: Assemble Parts 9 & 10 with Hardware D/G

D	 #8*25MM	12PCS
G	 M6*136MM	1PC

Product Specifications: Three-Drawer Nightstand

Step 13



Install Drawer: Slide the assembled drawer into the Step 9 cabinet assembly.