








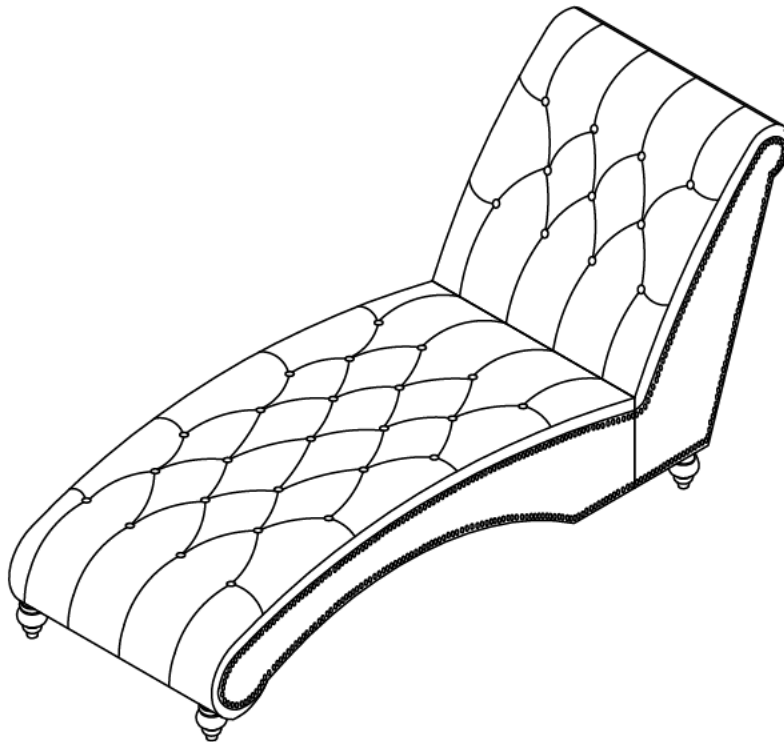
ASSEMBLY INSTRUCTIONS

Thank you for purchasing this product. Please take time to read and follow the instructions below. Check that you have all parts and hardware before assembly. Parts apparently missing are often found in the packing materials. If you do not have all the parts listed, have your dealer contact us and they be sent to you immediately.

▲ It is recommended to install protective pads under all legs and supports to avoid damage or scratches when placing furniture on a wood floor or other hard surface, and to limit indentation and prevent discoloration if placing on carpet.

HARDWARE LIST FOR DAYBED:				
No.	Description	Sketch	Size	Quantity
A	Allen Bolt		Ø5/16" x 55mmL	4 PCS
B	Spring washer		Ø5/16"	4 PCS
C	Flat washer		Ø5/16" x 19mm	4 PCS
D	Allen Key		4mm	1 PC

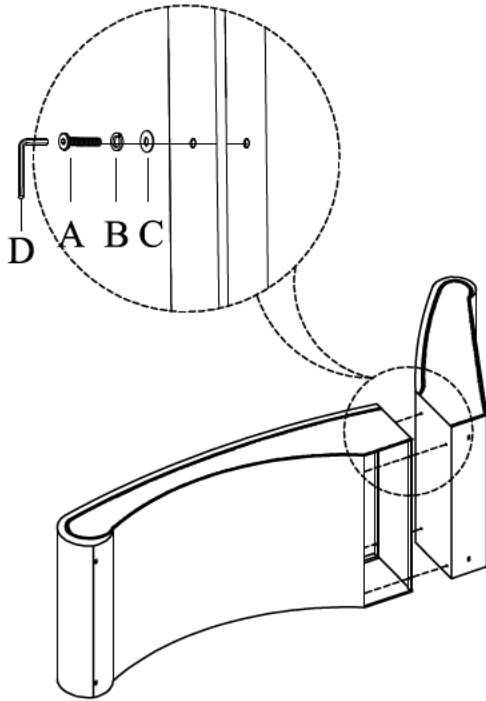
PARTS LIST:			
No.	Description	Sketch	Quantity
1	Back		1 PC
2	Seat		1 PC
3	Legs		4 PCS



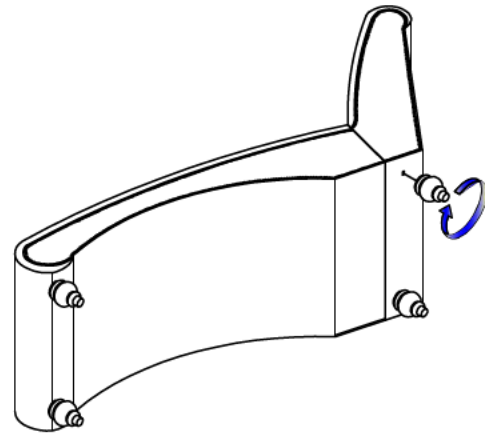
Assembly Complete

ASSEMBLY INSTRUCTIONS

STEP 1 : Attach Seat (2) to Back (1) by using Allen Bolt (A), Spring Washer (B), Flat Washer (C) and Allen Key (D).



STEP 2 : Attach Legs (3) to Seat (2) and Back (1).



Assembly Complete

