

VEVOR[®]

TOUGH TOOLS, HALF PRICE

Technical Support and E-Warranty Certificate www.vevor.com/support

CORNER SHOWER BENCH

MODEL:TE23K1001

We continue to be committed to provide you tools with competitive price.

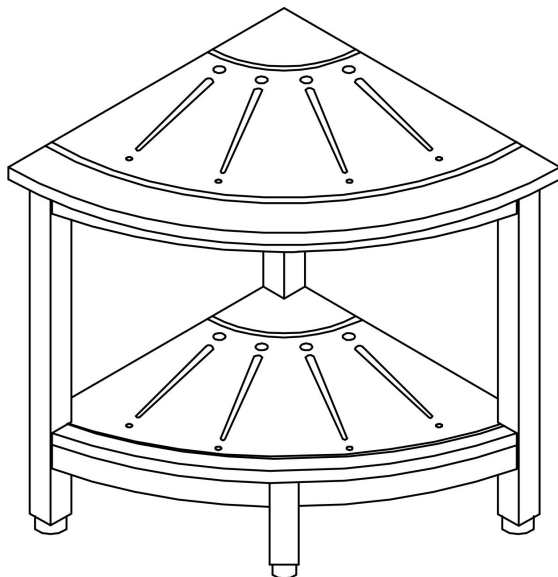
"Save Half", "Half Price" or any other similar expressions used by us only represents an estimate of savings you might benefit from buying certain tools with us compared to the major top brands and does not necessarily mean to cover all categories of tools offered by us. You are kindly reminded to verify carefully when you are placing an order with us if you are actually saving half in comparison with the top major brands.

VEVOR®

CORNER SHOWER BENCH

TOUGH TOOLS, HALF PRICE

MODEL:TE23K1001



NEED HELP? CONTACT US!

Have product questions? Need technical support? Please feel free to contact us:

Technical Support and E-Warranty Certificate
www.vevor.com/support

This is the original instruction, please read all manual instructions carefully before operating. VEVOR reserves a clear interpretation of our user manual. The appearance of the product shall be subject to the product you received. Please forgive us that we won't inform you again if there are any technology or software updates on our product.

ASSEMBLY PRECAUTIONS

1. Assemble needs to follow these instructions. Incorrect assembly can be a hazard.
2. Wear safety goggles and heavy-duty work gloves during assembly.
3. Do not assemble when tired or when under the influence of alcohol, drugs or medication.
4. Weight and other product properties are only applicable to correctly and completely assembled products.
5. Keep the assembly area clean and well-lit.

USE PRECAUTIONS

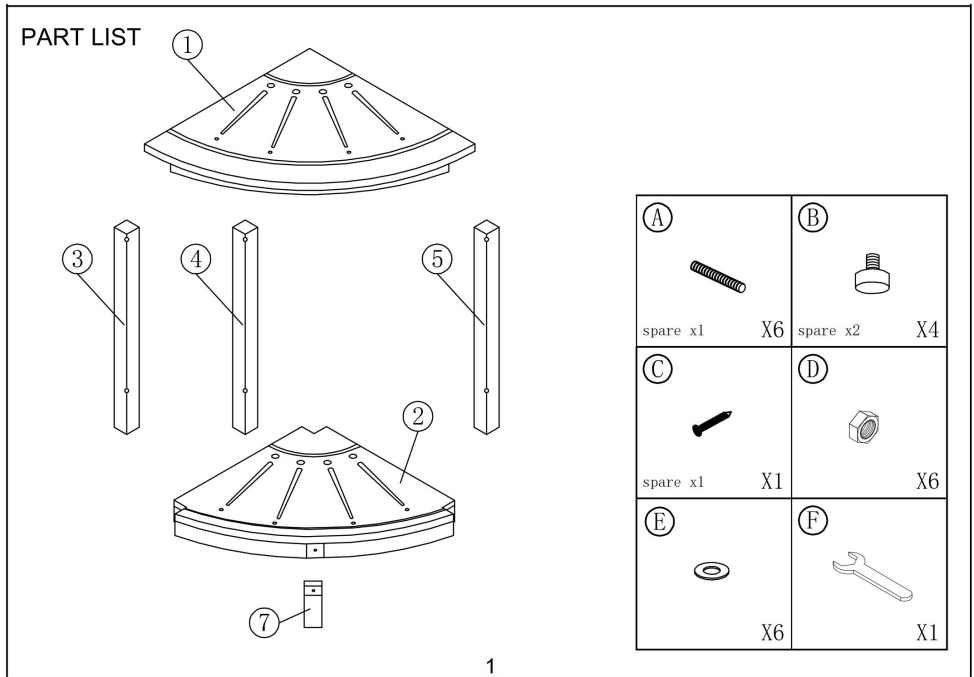
WARNING: TO PREVENT SERIOUS INJURY AND DEATH FROM TIPPING:

1. This product is not a toy. Please keep the product away from children while assembling.
2. Use as intended only. Do not let children play or jump on the product. Do not stand on the item or use it as a step ladder.
3. Inspect before every use. Do not use it if parts are loose or damaged.
4. Tighten the lower screws every three months to prevent loosening of the legs.
5. Do not exceed the listed weight capacity. Tighten all knobs securely before applying load. Be aware of dynamic loading! The sudden load movement may briefly create an excess load, causing product failure.

SAVE THESE INSTRUCTION

PART LIST

When unpacking this product, check to make sure the parts listed below are included and carefully inspect for any damage that may have occurred during transit. If any part is missing or damaged, do not attempt to assemble or use the product.



PRODUCT PAREMETERS

Model	TE23K1001
Radius	12"
Height	17"
Rated Load	300lbs
Material	Teak

CLEANING AND MAINTENANCE

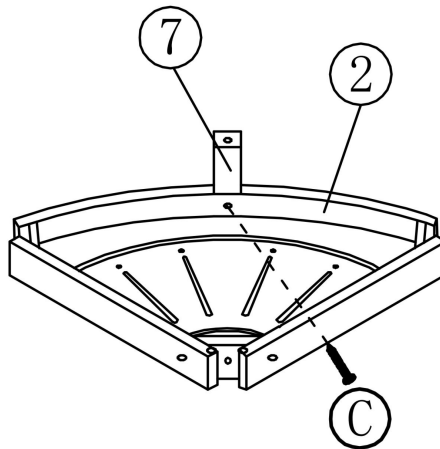
- You can use a soft cloth to clean the dust. If there are stains on the surface, you can wipe it gently with a clean damp cloth, or use a professional furniture cleaner to clean it.
- Do not store in direct sunlight. Store in a cool, dry place.
- Do not submerge in water. Please clean the stool with a soft cloth.
- Please dry the surface after each use and place it in a ventilated environment.

- Please avoid direct sunlight to the product surface for a long time.
- Regularly use teak oil for maintenance to maintain the gloss of the surface and extend its life.
- Do not store in extreme temperature environments. Too high or too low temperature can cause problems such as deformation and cracking. Place it in an environment with a suitable temperature.
- Periodically (every 90 days), make sure the screws are fully tightened.

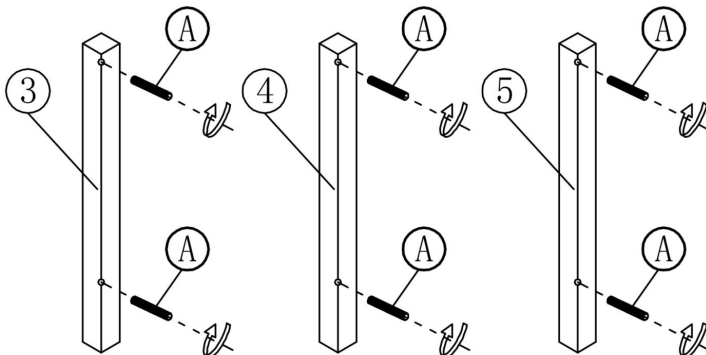
INSTALLATION AND OPERATION INSTRUCTIONS

1. Installation Procedures

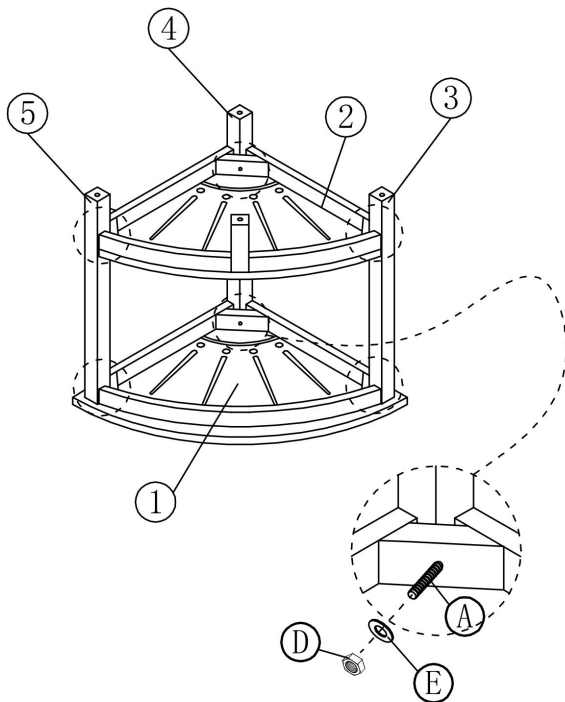
STEP1



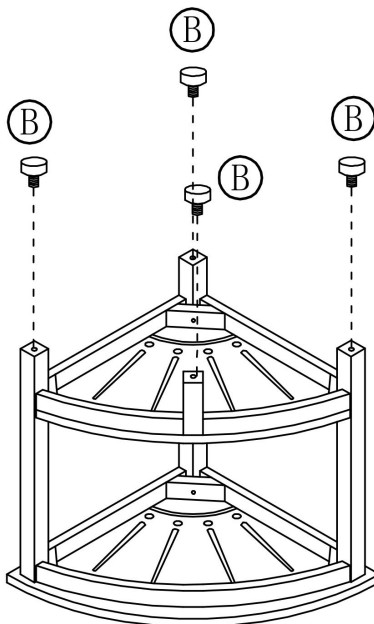
STEP2



STEP3



STEP4



Manufacturer: Shanghaimuxinmuyeyouxiangongsi

Address: Shuangchenglu 803nong11hao1602A-1609shi, baoshanqu, shanghai 200000 CN.

Imported to AUS: SIHAO PTY LTD. 1 ROKEVA STREETEASTWOOD NSW 2122 Australia

Imported to USA: Sanven Technology Ltd. Suite 250, 9166 Anaheim Place, Rancho Cucamonga, CA 91730

UK	REP
-----------	------------

YH CONSULTING LIMITED. C/O YH Consulting Limited Office 147, Centurion House, London Road, Staines-upon-Thames, Surrey, TW18 4AX

EC	REP
-----------	------------

E-CrossStu GmbH
Mainzer Landstr.69,
60329 Frankfurt am Main.

VEVOR[®]

TOUGH TOOLS, HALF PRICE

Technical Support and E-Warranty Certificate

www.vevor.com/support