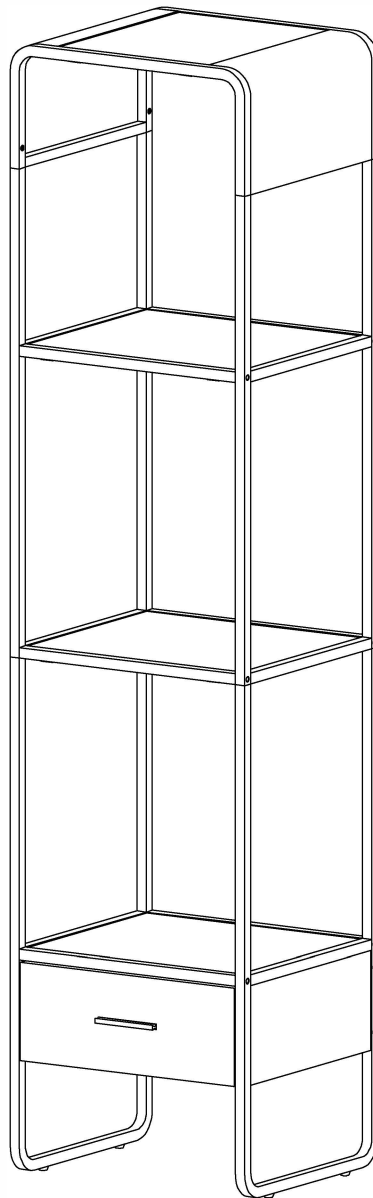


# ASSEMBLY INSTRUCTION

Thank you for purchasing the quality product. Be sure to check all packing material carefully for small parts which may have come loose inside the carton during shipment. Separate, identify and count all parts and metal hardware. Compare with all parts list to be sure all parts are present. If any part(s) are missing or damaged, please contact your local furniture dealer. For efficient and speedy service, please indicate the model number and code letter of part(s) needed.

**\*\*\*Do not fully tighten screws until fully assembled\*\*\***

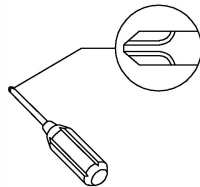


## Attention:

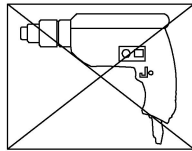
\*\*\*Some number parts listed on the instruction sheet may not be in parts bag as they may already be assembled. Carefully check parts and packing materials prior to ordering replacements.

# General Assembly Guidelines

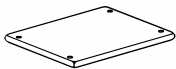
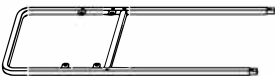
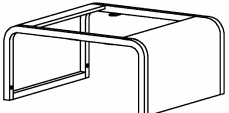

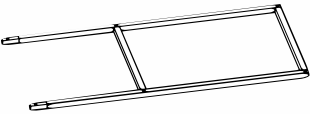
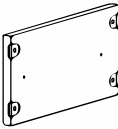
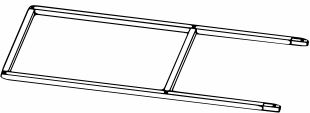
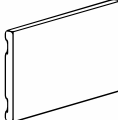



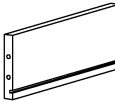

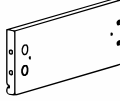





- I. Ensure that all parts and hardware are available before beginning assembly.
- II. Follow each step carefully to ensure the proper assembly of this product.
- III. Two people are recommended for ease in the assembly of this product.
- IV. The three main types of hardware used to assemble this product are: wood dowels, screws and bolts.
- V. A Phillips head screwdriver is required for the assembly of this product.




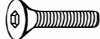

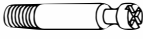


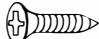





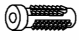



- VI. Power tools should not be used to assemble this product.

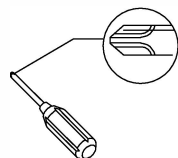


# COMPONENT PARTS

DESCRIPTION	PART NAME	QTY(PCS)	DESCRIPTION	PART NAME	QTY(PCS)
①	 Table Top	1	⑪	 Metal Tube	1
②	 Metal Tube	1	⑫	 Back panel	1
③	 Metal Tube	1	⑬	 Left Side Panel	1
④	 Metal Tube	1	⑭	 Right Side Panel	1
⑤	 Shelf	1	⑮	 Drawer Front Panel	1
⑥	 Metal Tube	4	⑯	 Drawer Side Panel(L)	1
⑦	 Shelf	1	⑰	 Drawer Side Panel(R)	1
⑧	 Shelf	1	⑱	 Drawer Back Panel	1
⑨	 Metal Tube	2	⑲	 Drawer Bottom Panel	1
⑩	 Metal Tube	1			

# Hardware List

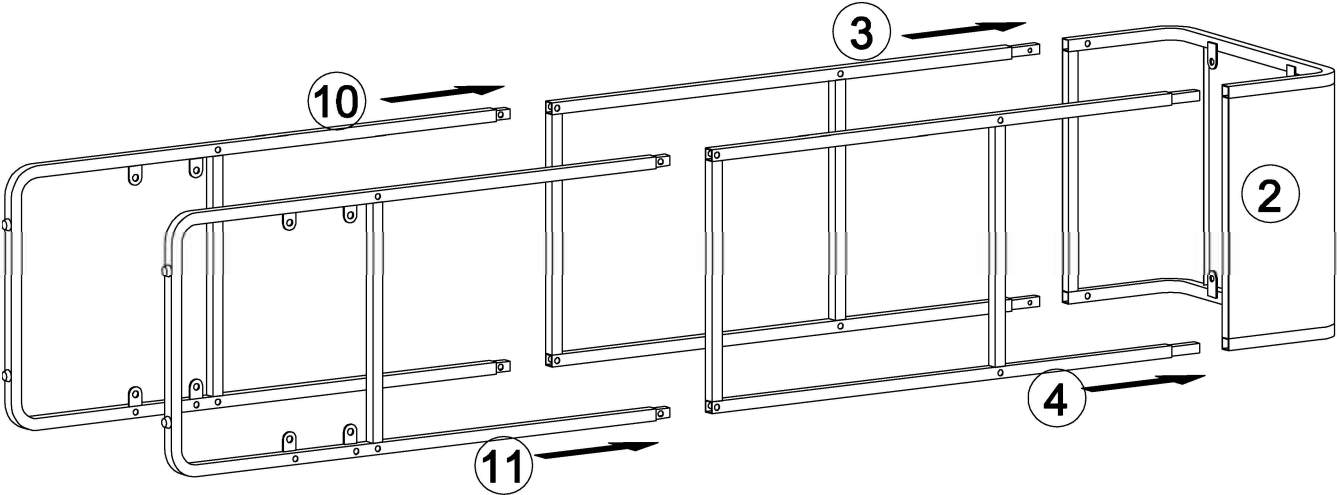
A		Ø1/4"*12mm	Bolt	29	pcs
B		Ø1/4"*25mm	Bolt	12	pcs
C		Ø6x50mm	Screw	4	pcs
D		Ø6*35mm	Cam bolt	4	pcs
E		Ø15*12mm	Cam lock	4	pcs
F		Ø4x30mm	Screw	4	pcs
H		Ø3.5x14mm	Screw	8	pcs
J		Ø4*18mm	Bolt	2	pcs
K			Handle	1	pcs
L		M4mm	Allen Key	1	pcs
M			Sticker	4	pcs
N			Bracket	1	pcs
P			Wall anchor	1	pcs
Q		Ø4*30mm	Screw	1	pcs
R			Flat washer	1	pcs
S		27*300mm	Drawer slider	1	set



Philips head screwdriver required for assembly  
(not included)

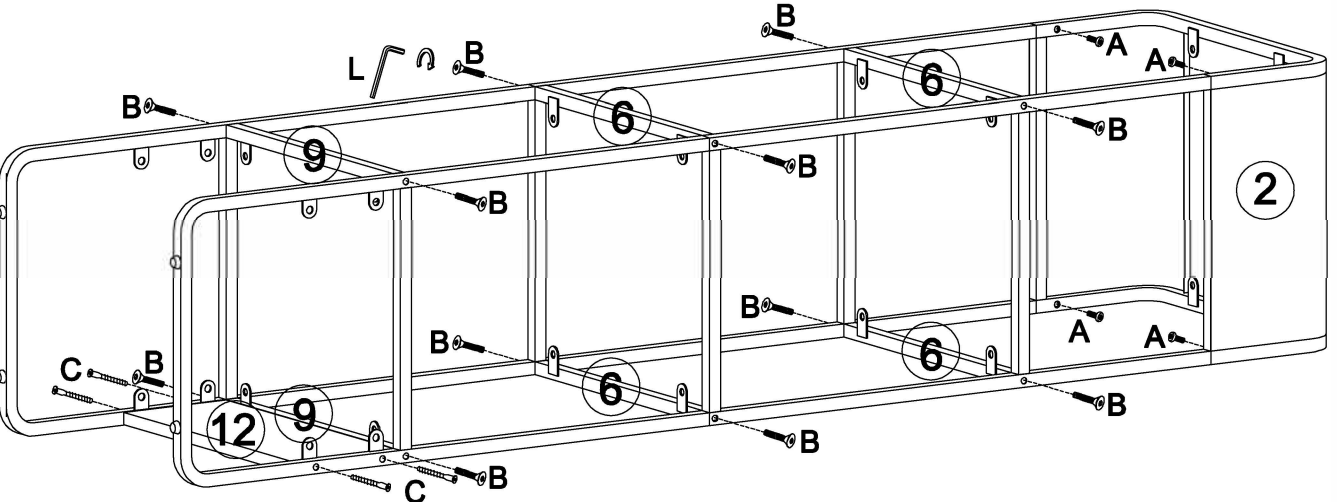
*The hardware quantities listed above are required for proper assembly.  
Some extra hardware may also have been included.*

# Step 1






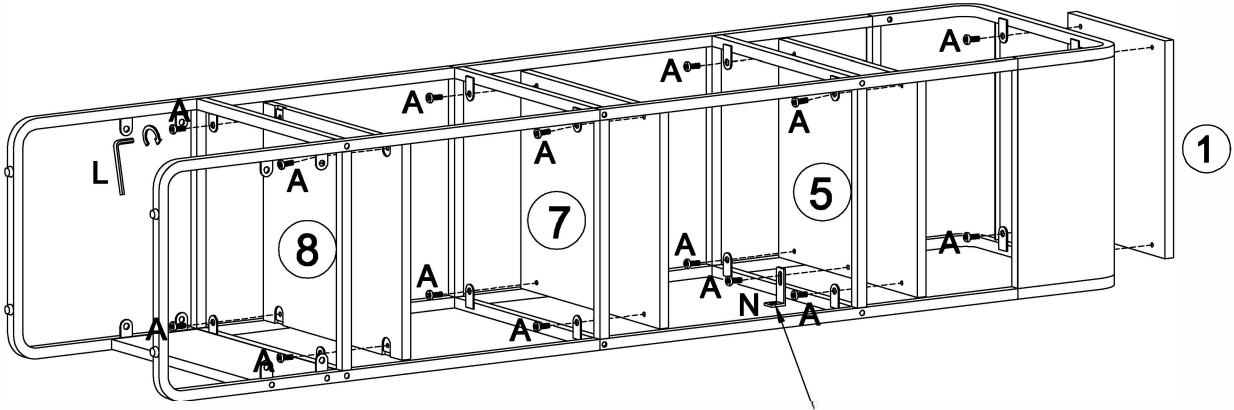
# Step 2

A x 4	B x 12	C x 4	L x 1
Ø1/4"x12mm	Ø1/4"x25mm	Ø6x50mm	4mm



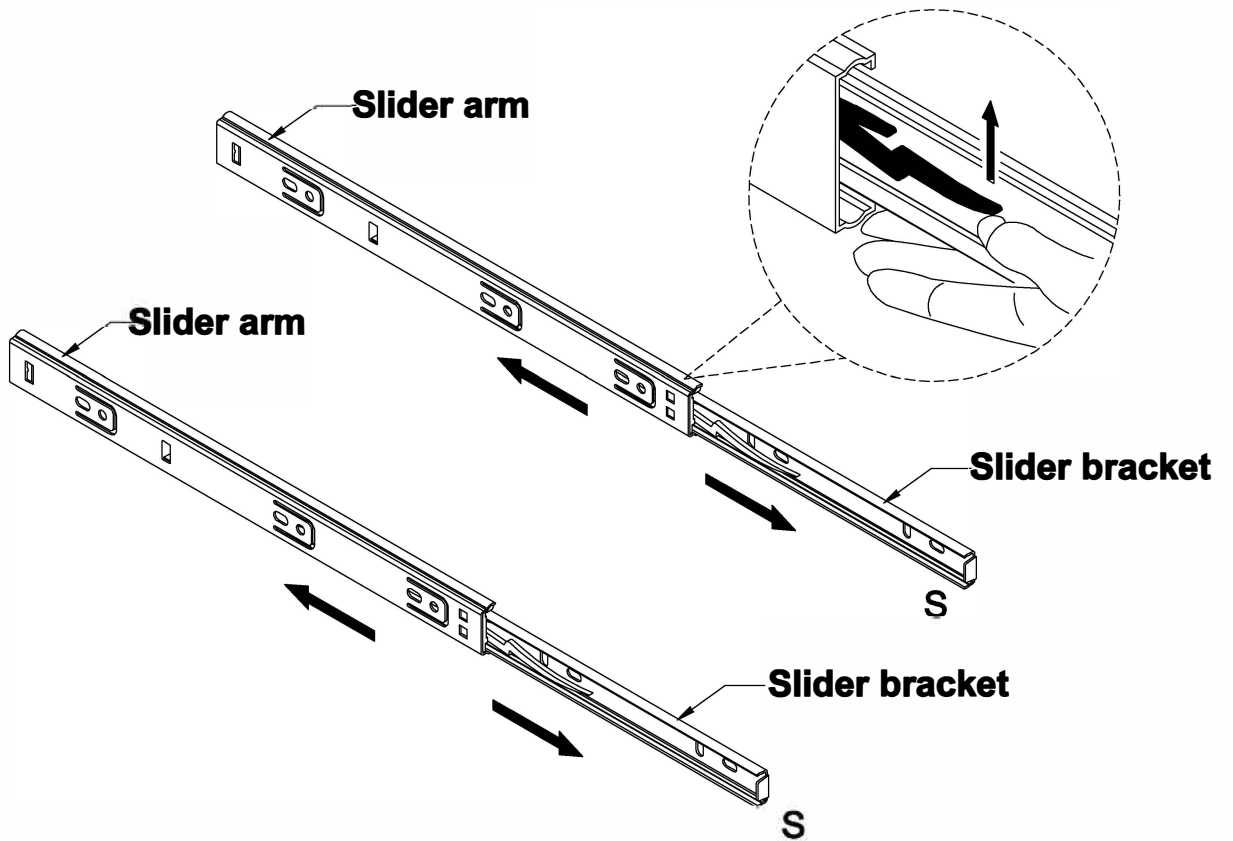
# Step 3

A x 17  Ø1/4"x12mm	N x 1 	L x 1  4mm
-------------------------------------------------------------------------------------------------------------	----------------------------------------------------------------------------------------------	-----------------------------------------------------------------------------------------------------





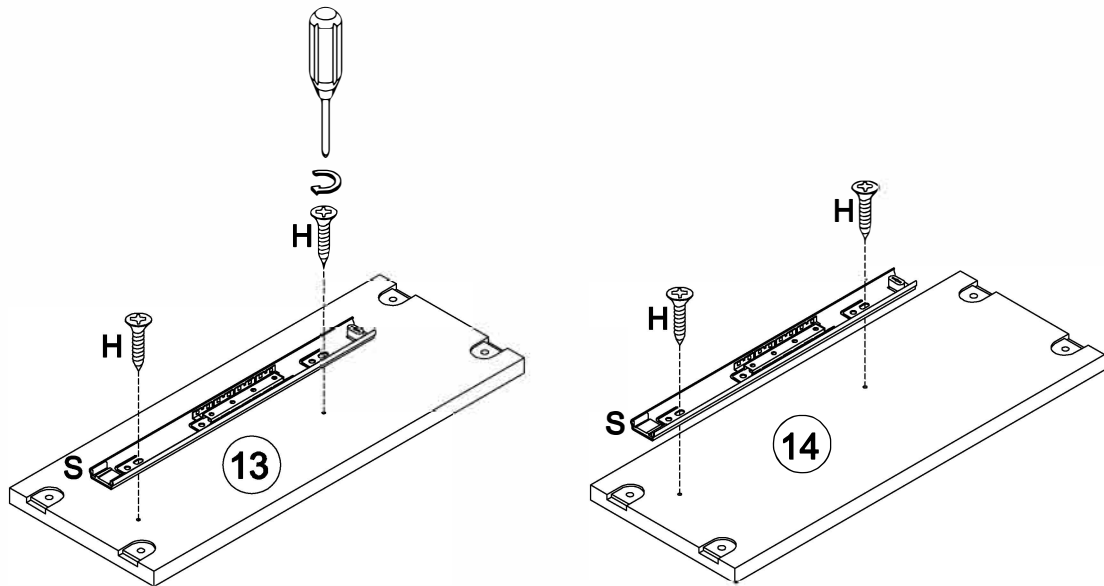
Additional Step  
For Anti-Tipping

# Step 4





# Step 5

H x 4	S x 1
	
Ø3.5x14mm	



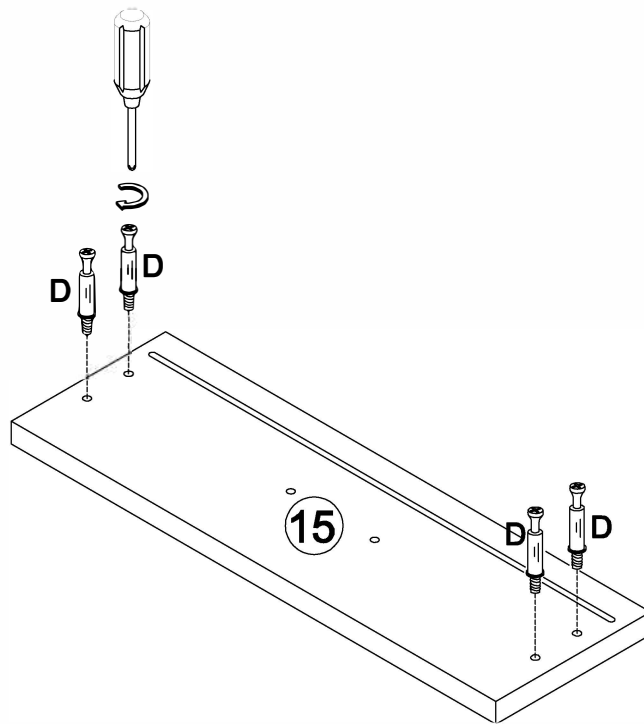
# Step 6

A x 8	L x 1
	
Ø1/4"x12mm	4mm



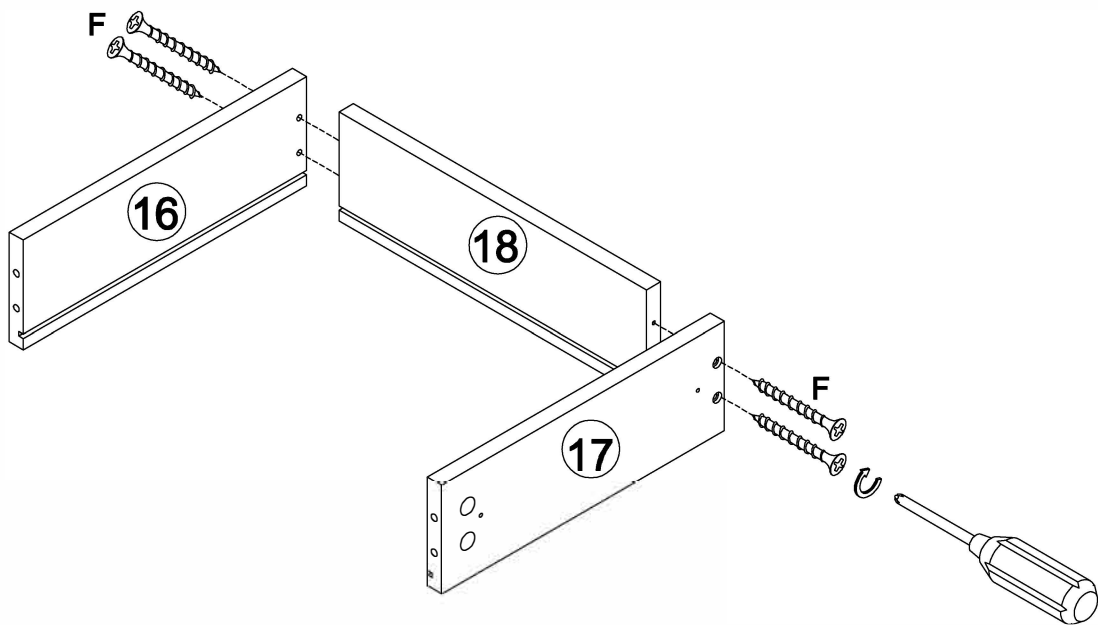
# Step 7

D x 4  
  
Ø6x35mm

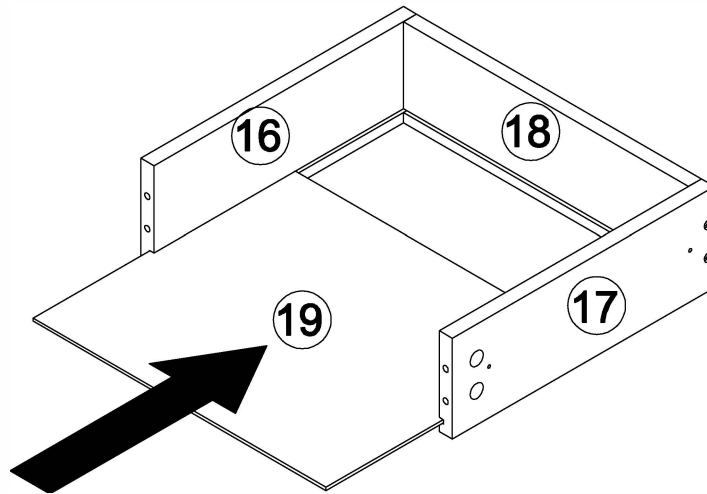


# Step 8




F x 4  
  
Ø4x30mm

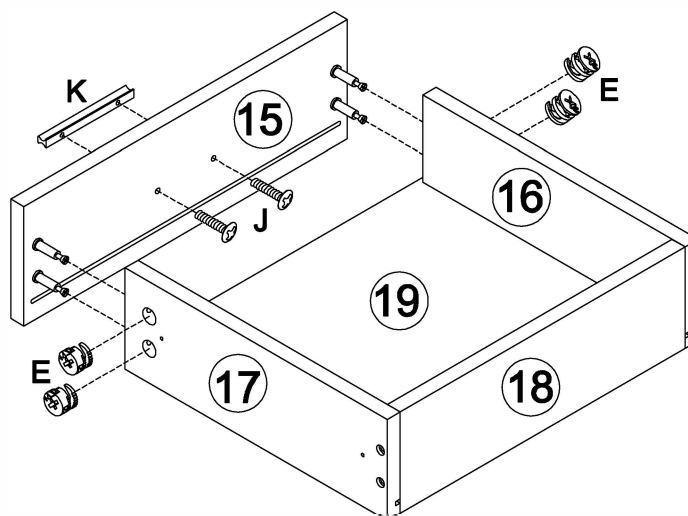


# Step 9




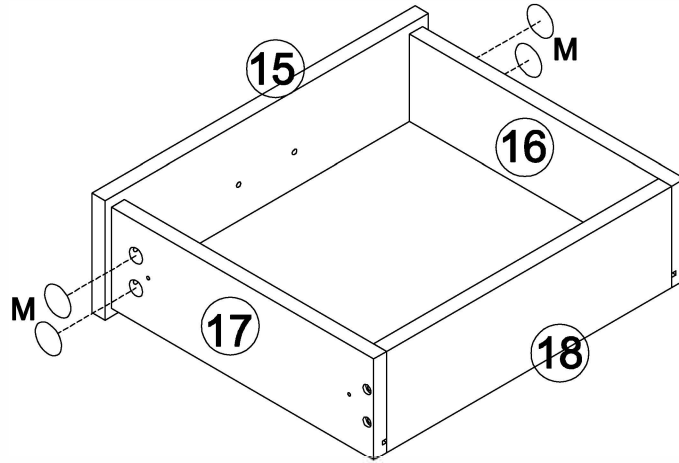
# Step 10

E x 4	J x 2	K x 1
 Ø15x12mm	 Ø4x18mm	





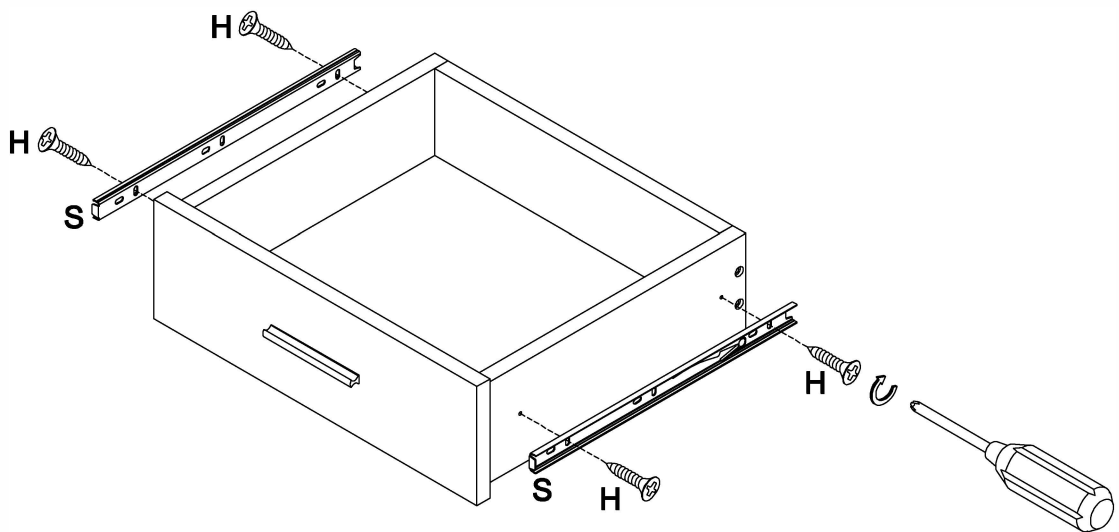
# Step 11

M x 4


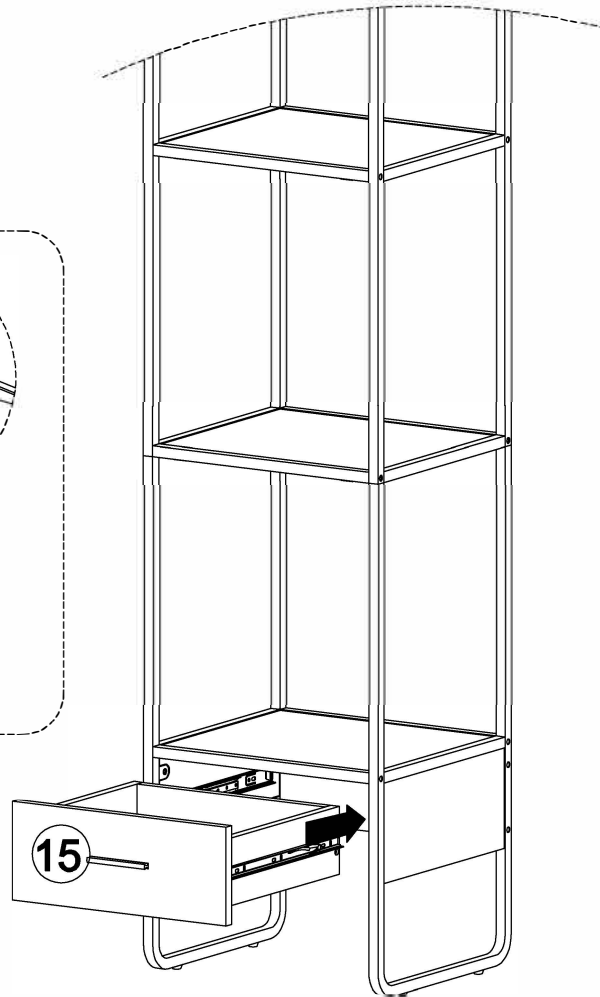
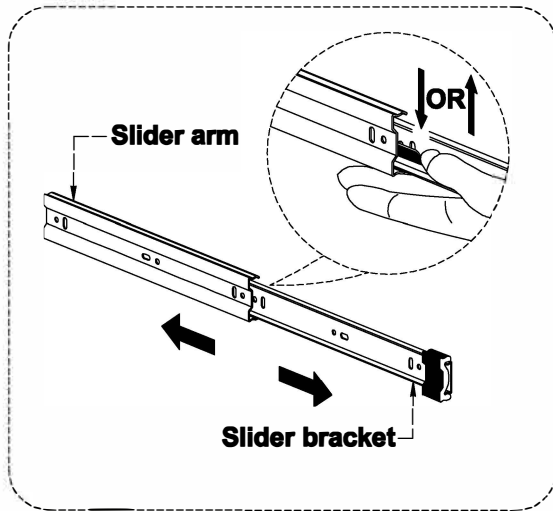


# Step 12

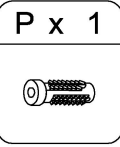
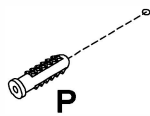
H x 4	S x 1
	
Ø3.5x14mm	



# Step 13





# Step 14

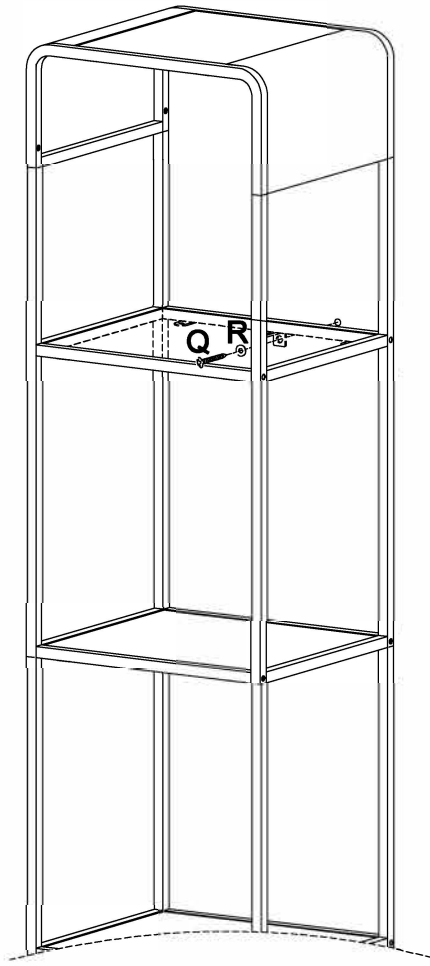


Additional Step  
For Anti-Tipping

Wall

# Step 15

Q x 1	R x 1
	



Additional Step  
For Anti-Tipping

# Step 16

