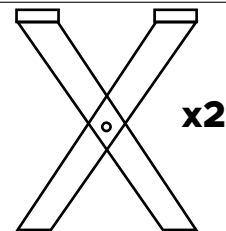
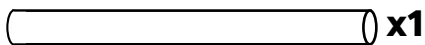
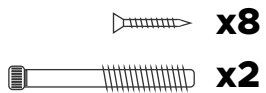
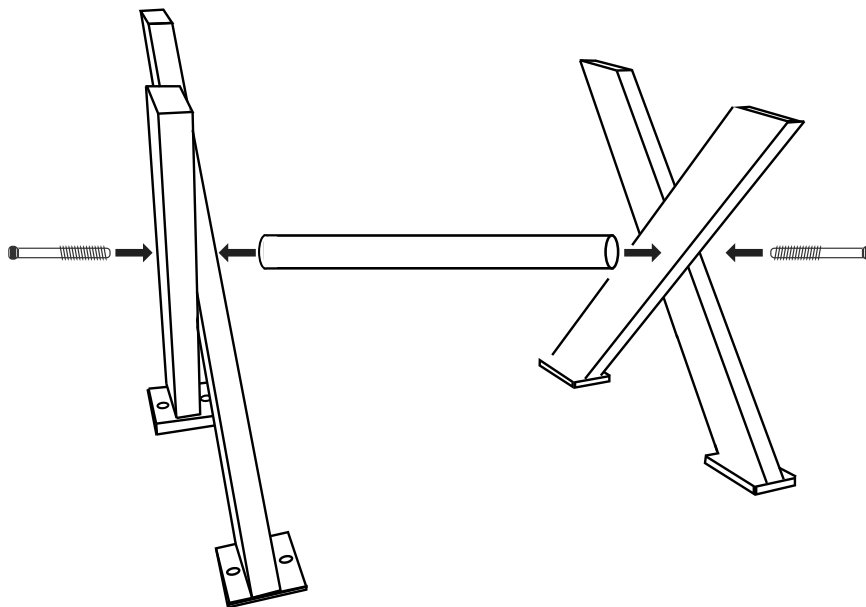


# ASSEMBLY INSTRUCTIONS



**1.**



**2.**

